



US00D825520S

(12) **United States Design Patent**  
**Zhang**

(10) **Patent No.:** **US D825,520 S**

(45) **Date of Patent:** **\*\* Aug. 14, 2018**

(54) **PORTABLE RECORDER**

(71) Applicant: **Shenzhen Hongfeng Century Technology CO., LTD.**, Shenzhen (CN)

(72) Inventor: **Hongbing Zhang**, Shenzhen (CN)

(73) Assignee: **SHENZHEN HONGFENG CENTURY TECHNOLOGY CO., LTD.**, Shenzhen (CN)

(\*\*) Term: **15 Years**

(21) Appl. No.: **29/619,713**

(22) Filed: **Sep. 30, 2017**

(51) **LOC (11) Cl.** ..... **14-01**

(52) **U.S. Cl.**  
USPC ..... **D14/167**

(58) **Field of Classification Search**  
USPC ..... D14/167, 154, 168, 188, 496, 156, 160, D14/161, 162, 163, 164, 165, 158, 203.1, D14/341, 346, 342, 345, 225, 226, 228, D14/227, 214; 455/351, 350; D19/60, D19/62; D21/330; 369/44.14, 44.32; 700/94; D16/202  
CPC ..... H04N 13/004; H04N 5/85; H04N 9/8227; H04N 13/0055; H04N 19/597; H04N 19/61; H04N 21/42646; H04N 21/4325; H04N 1/234327; G11B 27/034; G11B 27/11  
See application file for complete search history.

(56) **References Cited**

**U.S. PATENT DOCUMENTS**

D512,408 S	*	12/2005	Suzuki	.....	D14/167
D559,829 S	*	1/2008	Ranney	.....	D14/167
D595,686 S	*	7/2009	Mosher	.....	D14/158
D635,545 S	*	4/2011	Sakai	.....	D14/167

D640,229 S	*	6/2011	Sakai	.....	D14/167
D676,075 S	*	2/2013	Ku	.....	D14/167
D696,225 S	*	12/2013	Osada	.....	D14/167
D709,854 S	*	7/2014	Pan	.....	D14/159
D719,127 S	*	12/2014	Nishiwaki	.....	D14/167
D744,974 S	*	12/2015	Tang	.....	D14/167
D794,695 S	*	8/2017	Zhang	.....	D16/218
D798,903 S	*	10/2017	Isozaki	.....	D14/496
D805,052 S	*	12/2017	Suzuki	.....	D14/167

\* cited by examiner

*Primary Examiner* — Austin Murphy

(74) *Attorney, Agent, or Firm* — Hemisphere Law, PLLC; Zhigang Ma

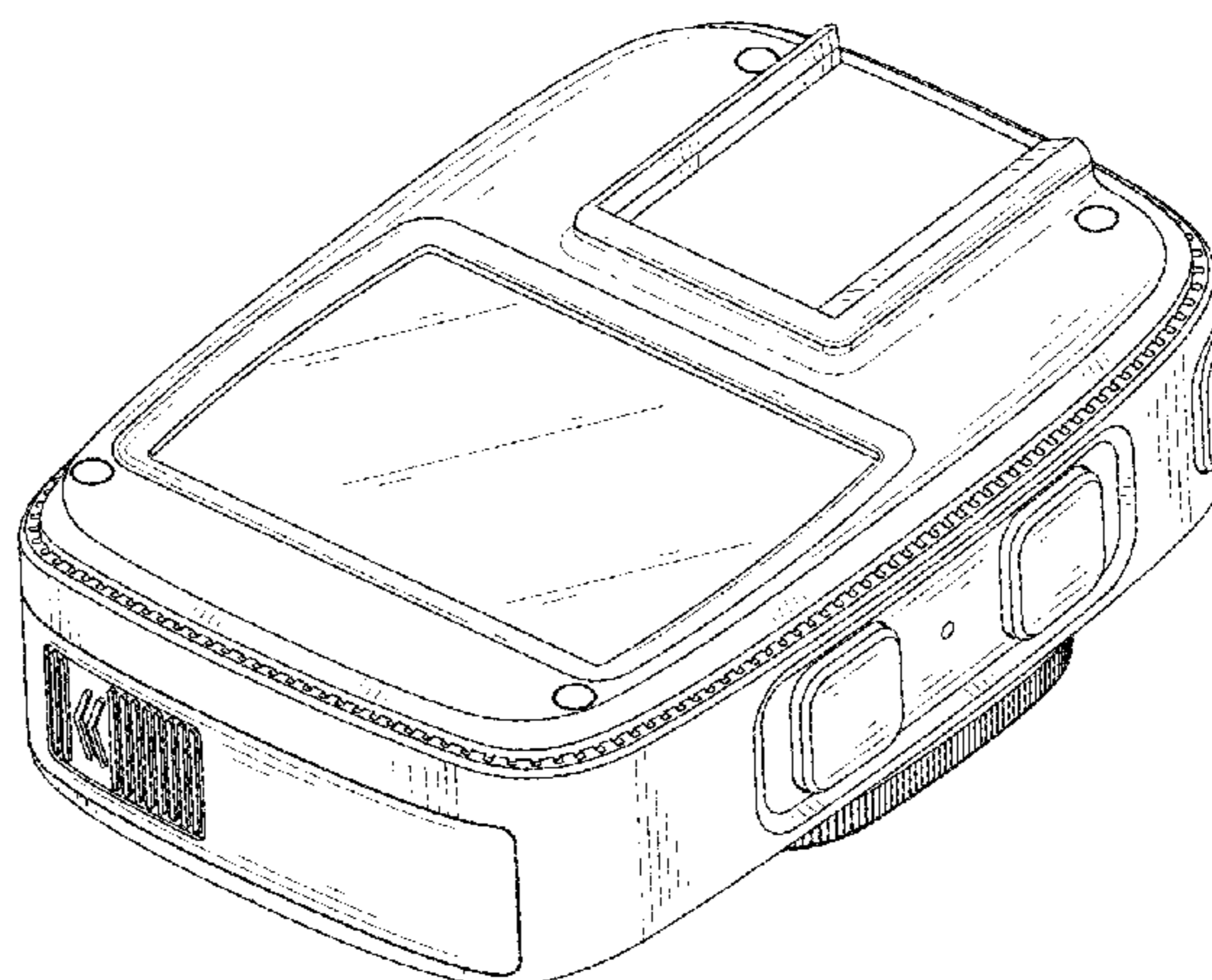
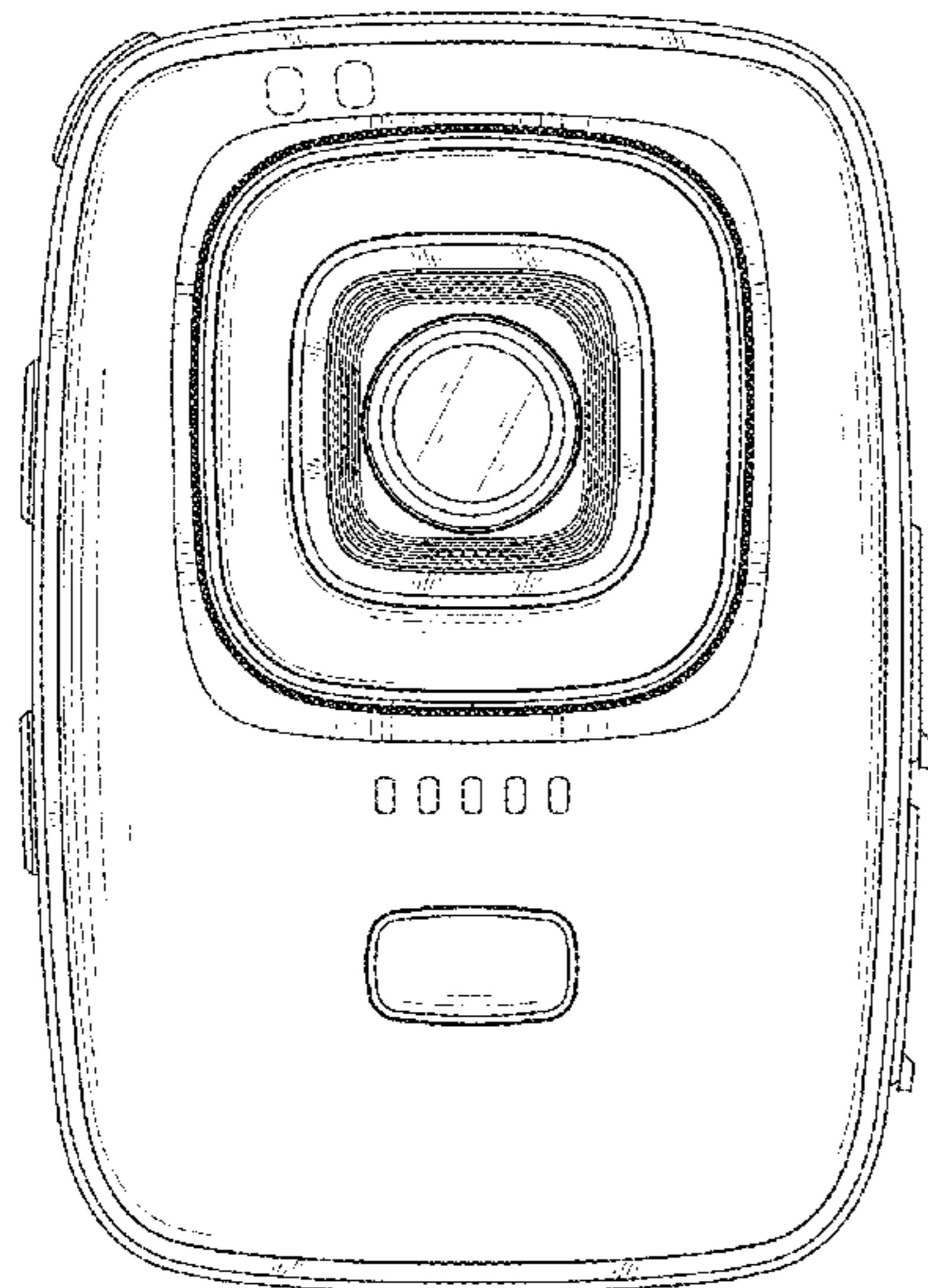
(57) **CLAIM**

The ornamental design for a portable recorder, as shown and described.

**DESCRIPTION**

FIG. 1 is a front elevational view of a portable recorder showing my new design;  
 FIG. 2 is a rear elevational view thereof;  
 FIG. 3 is a left side elevational view thereof;  
 FIG. 4 is a right side elevational view thereof;  
 FIG. 5 is a top plan view thereof;  
 FIG. 6 is a bottom plan view thereof;  
 FIG. 7 is a perspective view thereof from a right-front view angle;  
 FIG. 8 is a perspective view thereof from a left-bottom view angle;  
 FIG. 9 is a perspective view the present portable recorder attached with a clip in use; and,  
 FIG. 10 is a perspective view the present portable recorder attached with a clip in an outwards status.  
 The broken lines are employed to show either environmental structure or unclaimed portions of the portable recorder, and form no part of the claimed design.

**1 Claim, 10 Drawing Sheets**



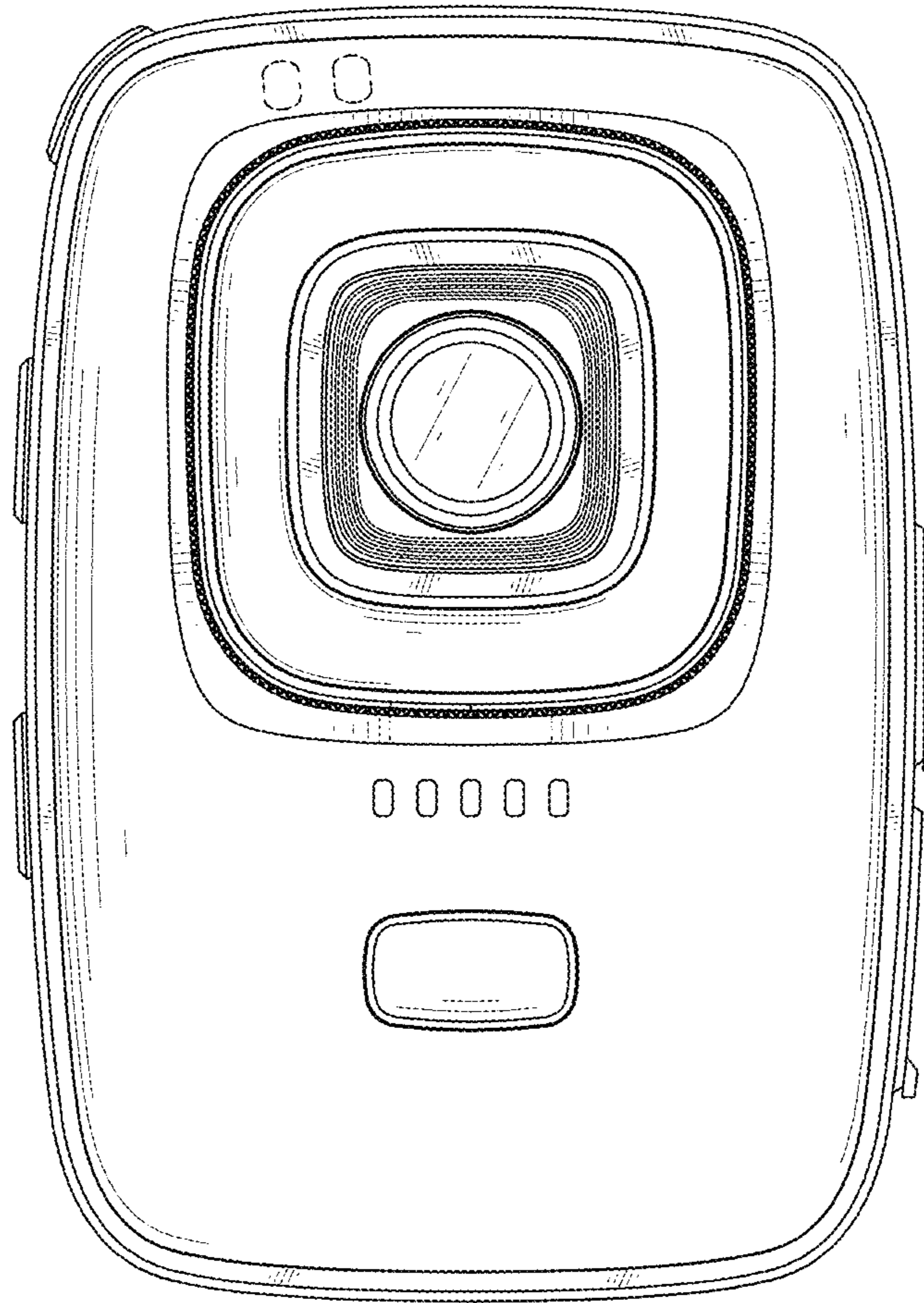


FIG. 1

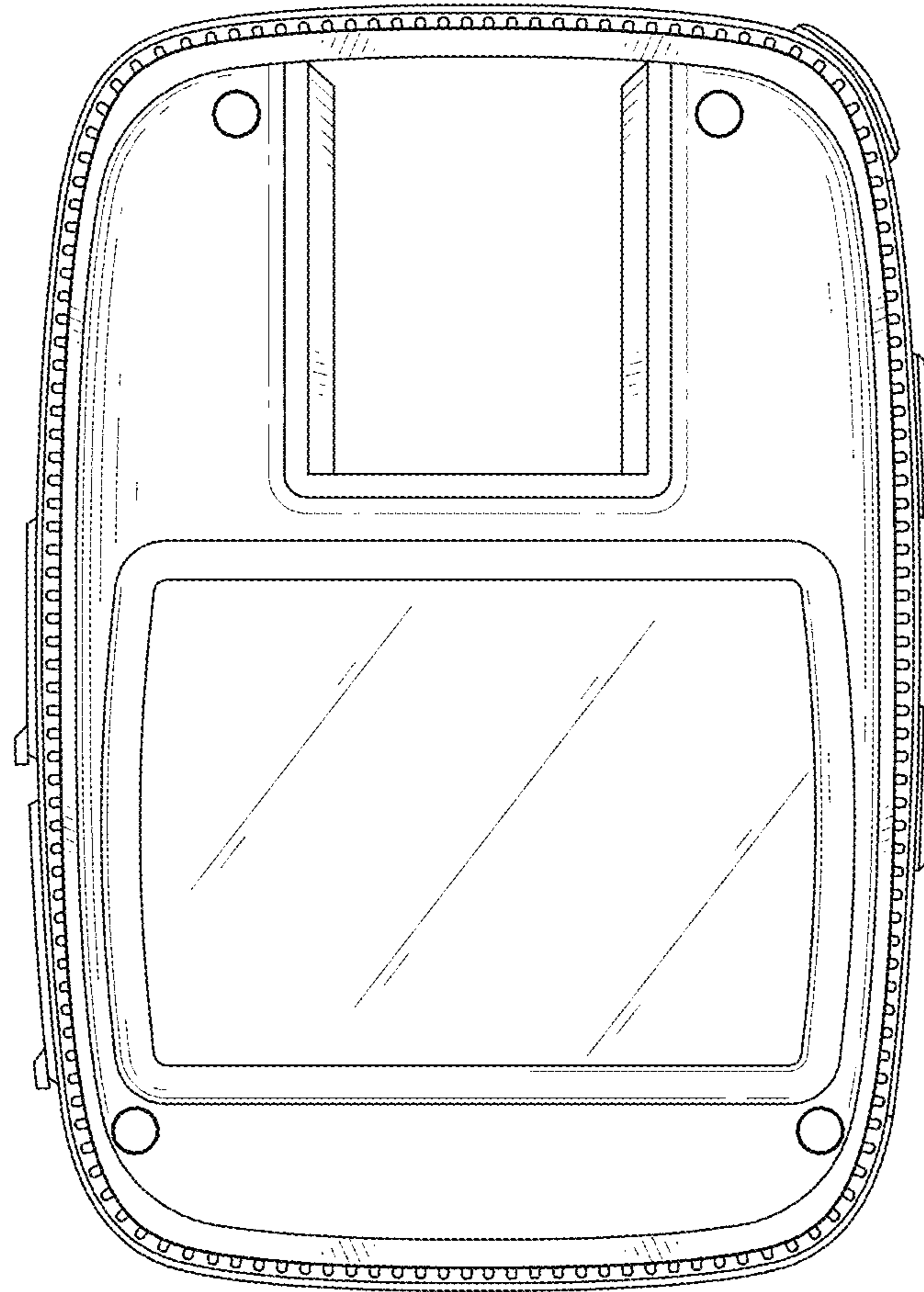


FIG. 2

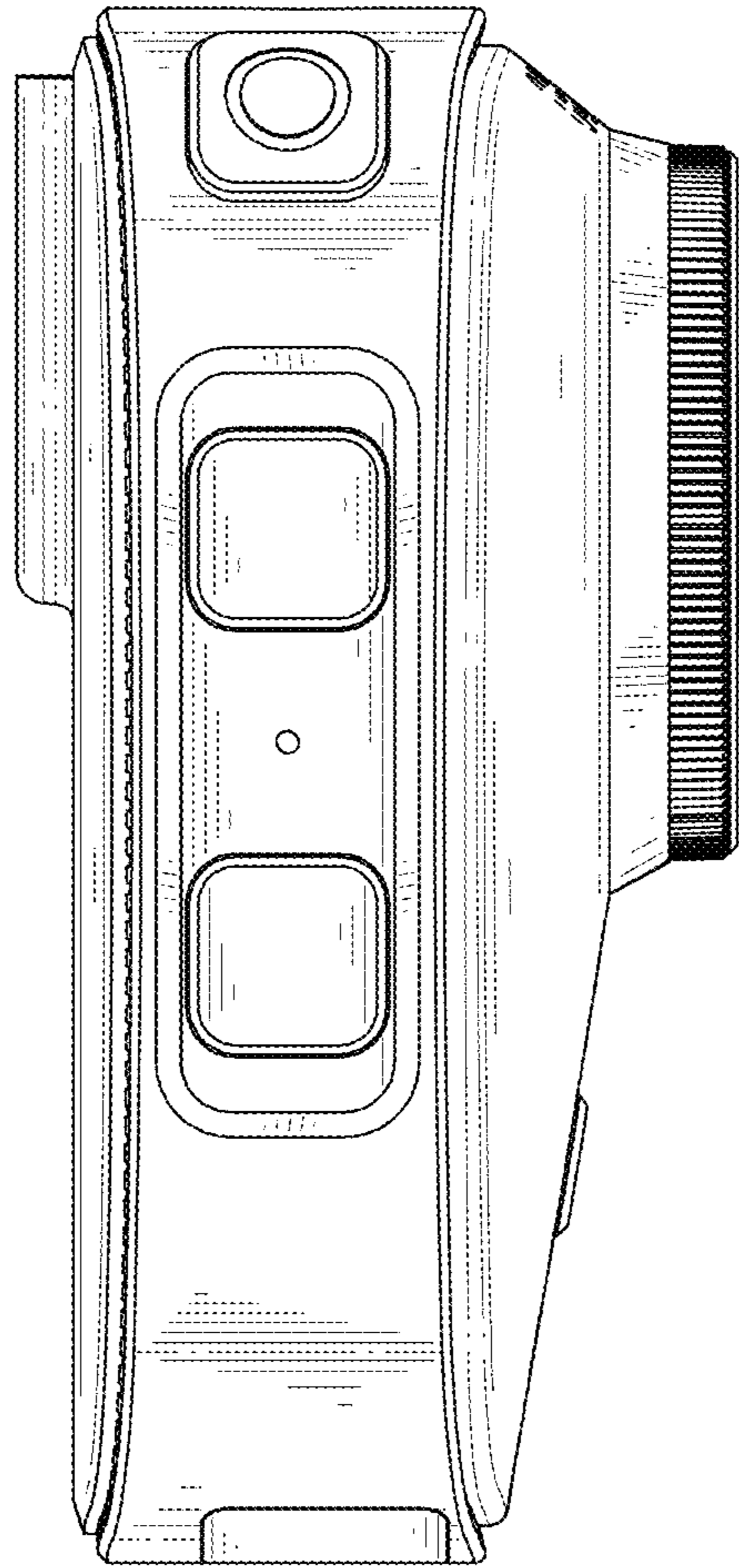


FIG. 3

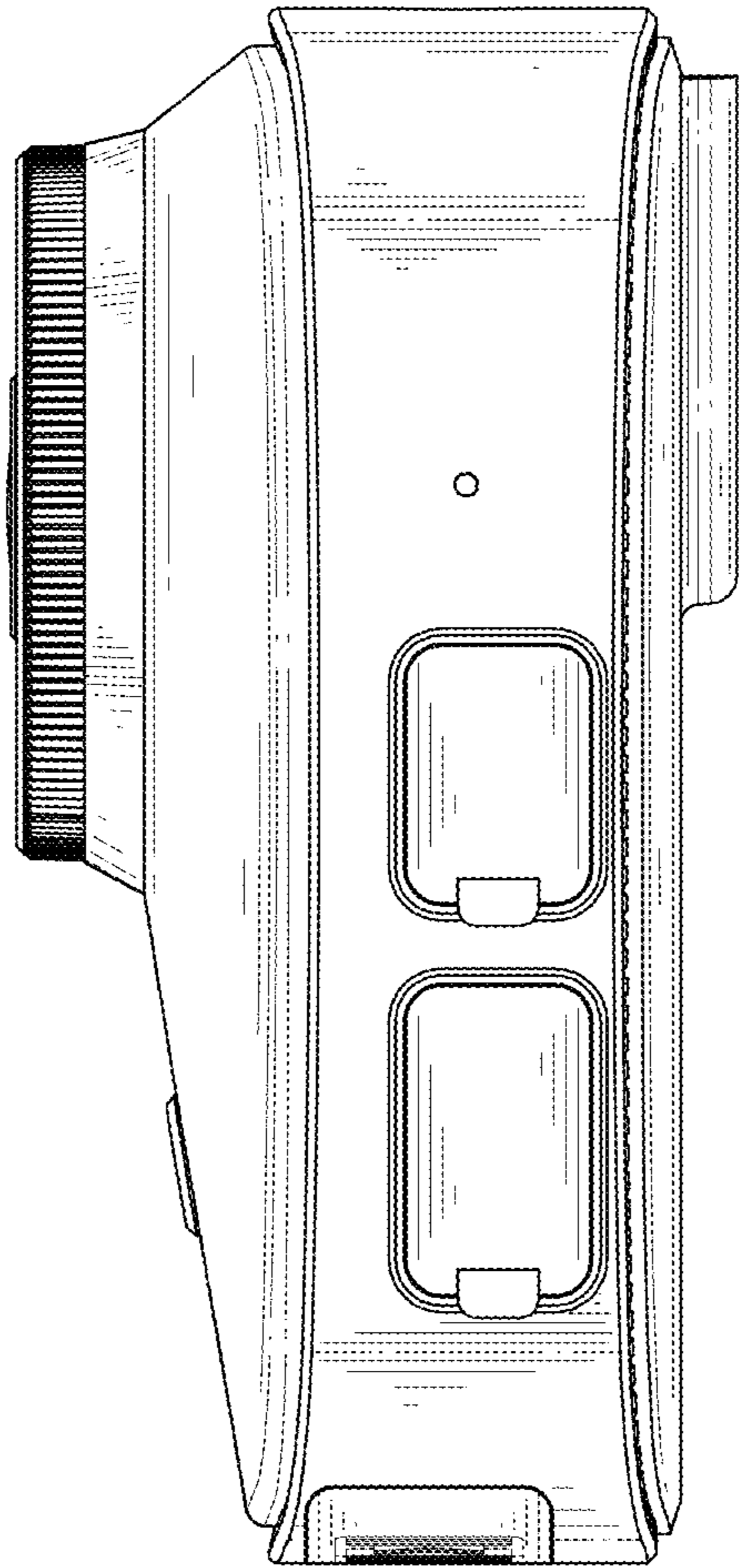


FIG. 4

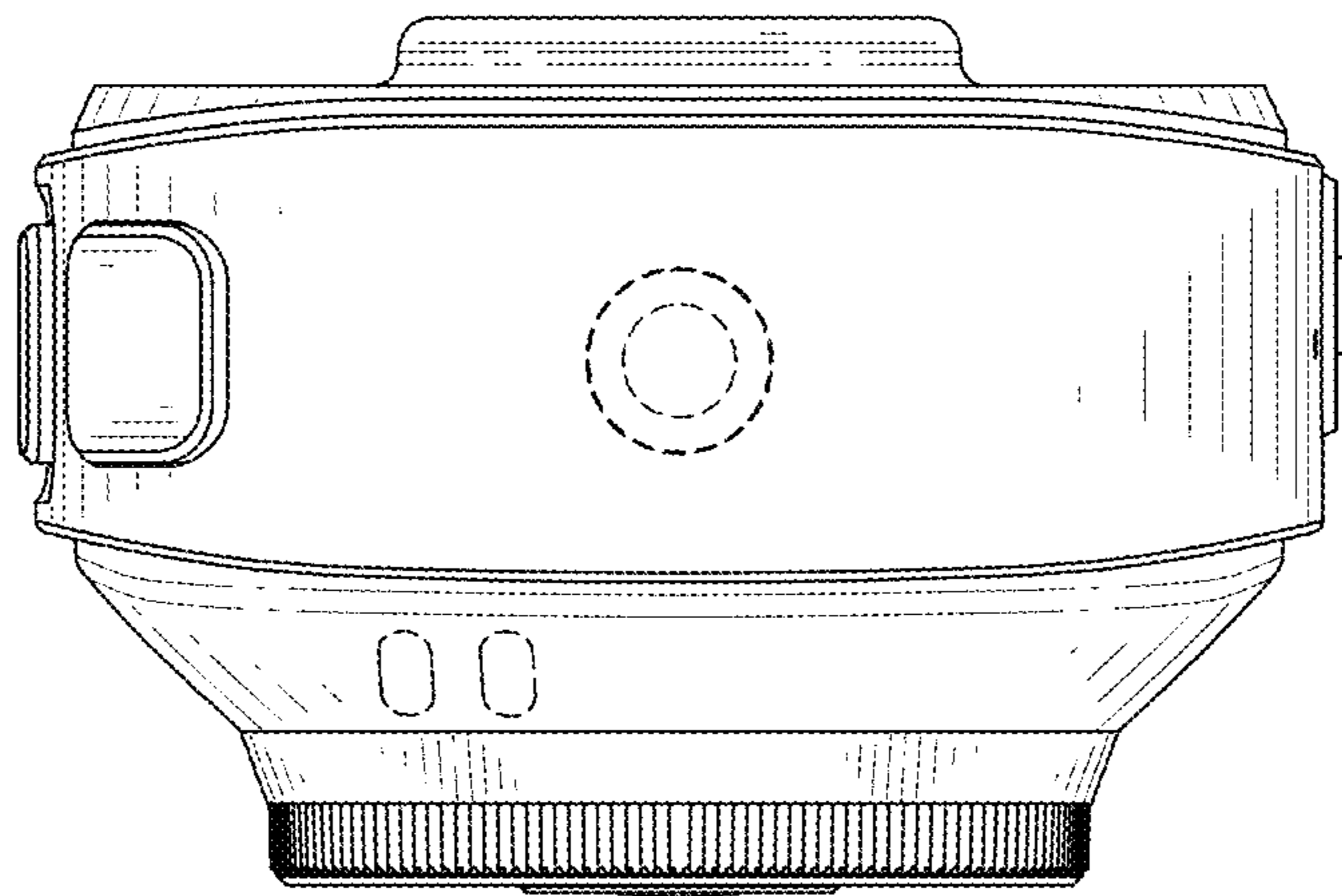


FIG. 5

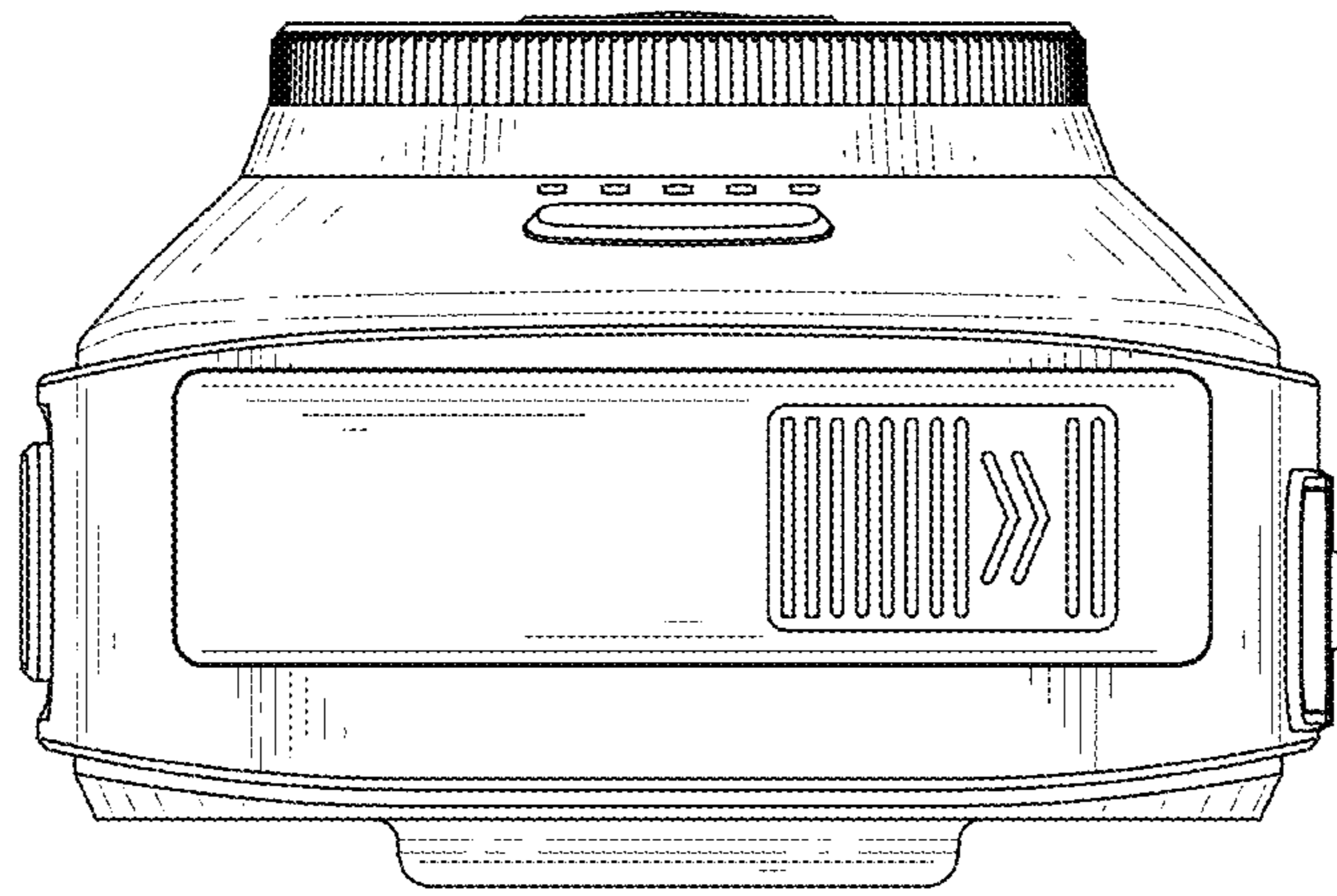


FIG. 6

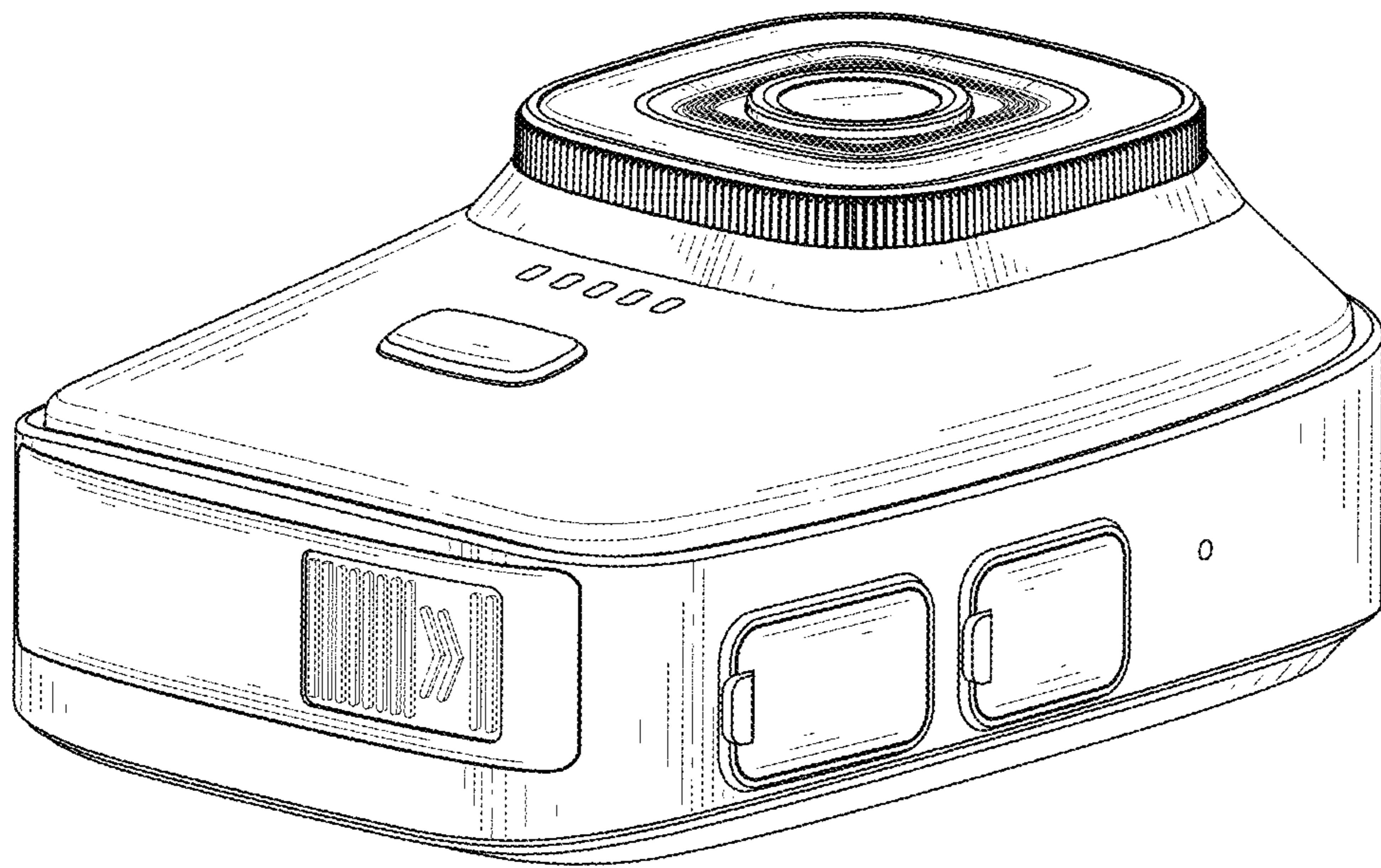


FIG. 7



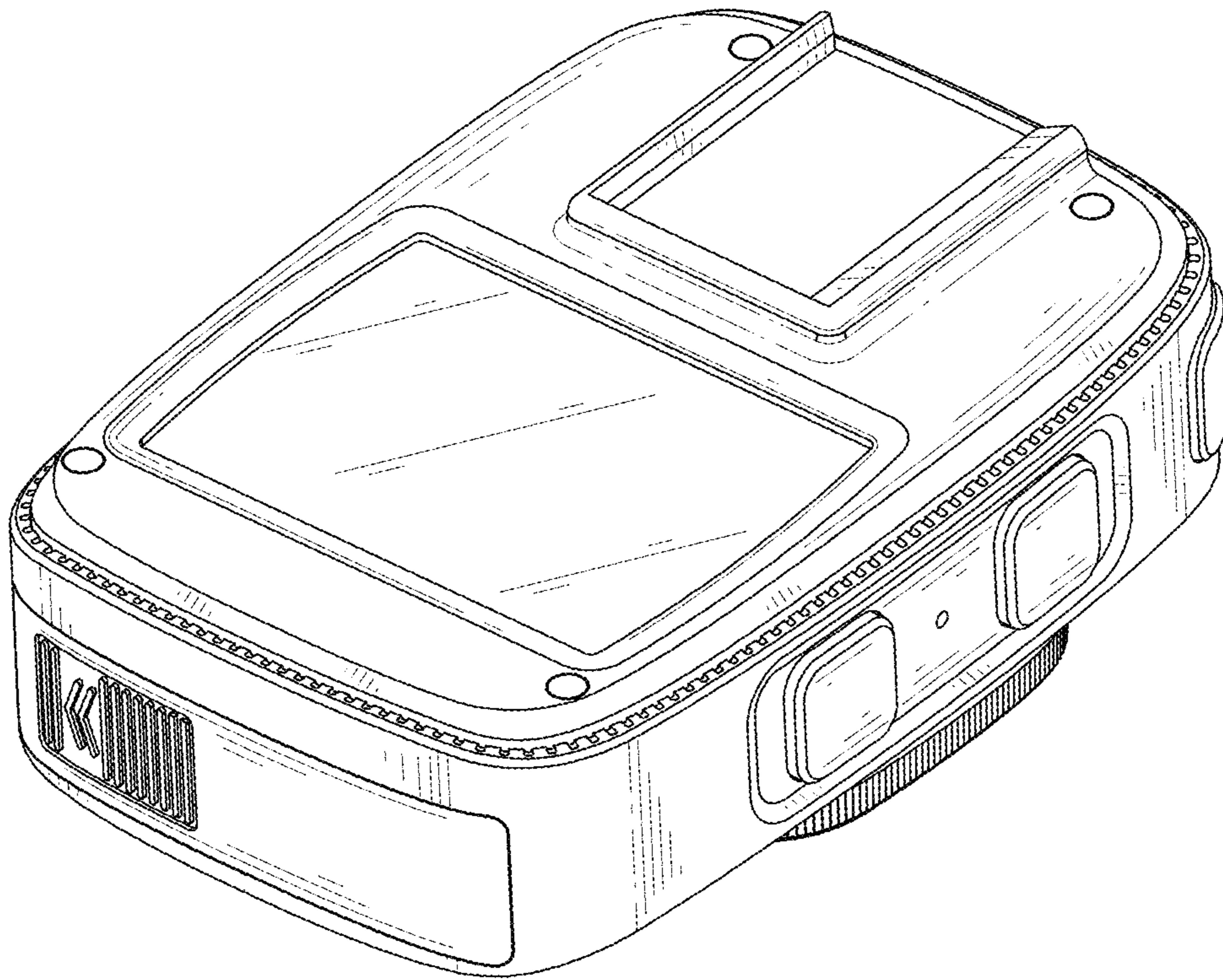


FIG. 8

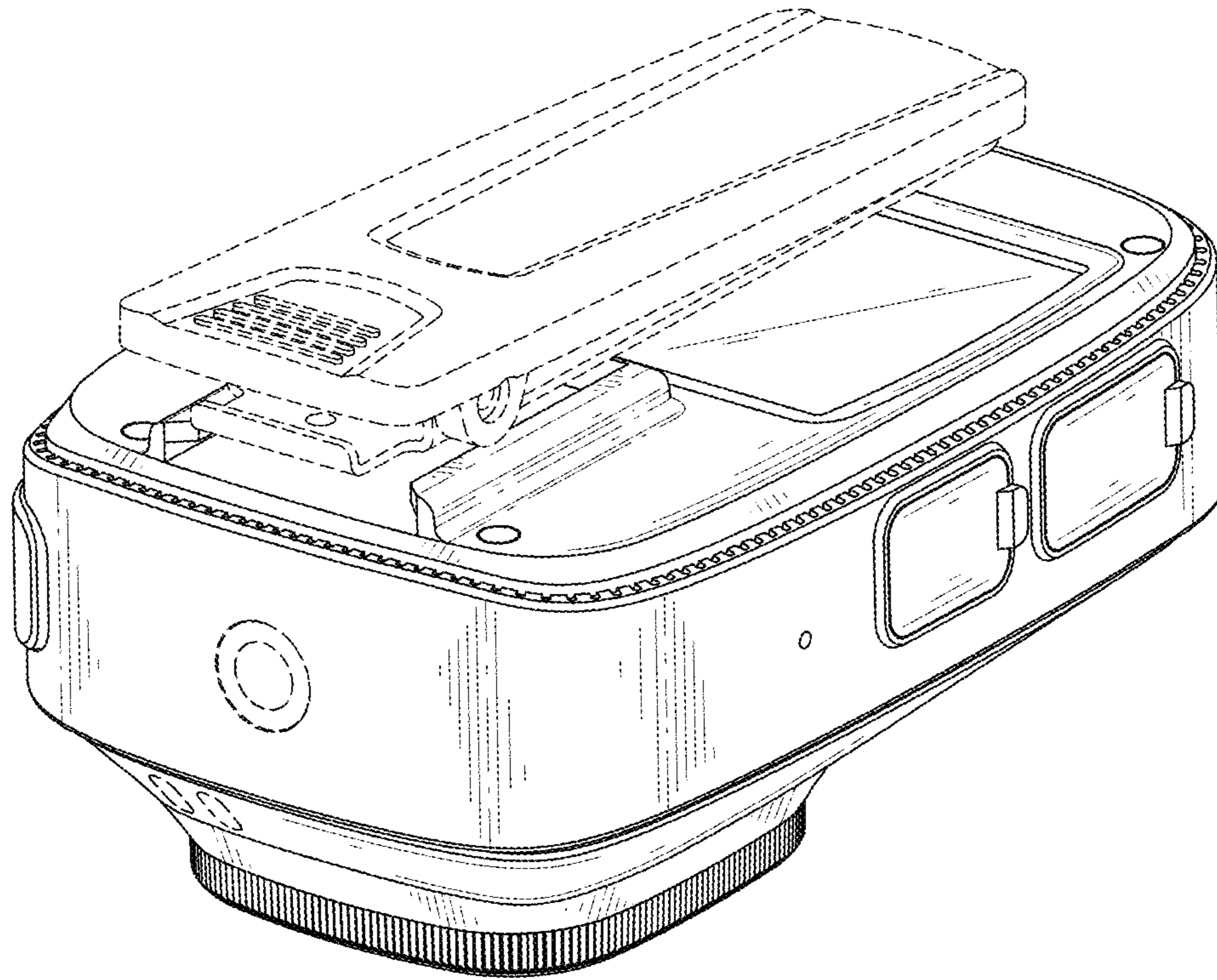


FIG. 9

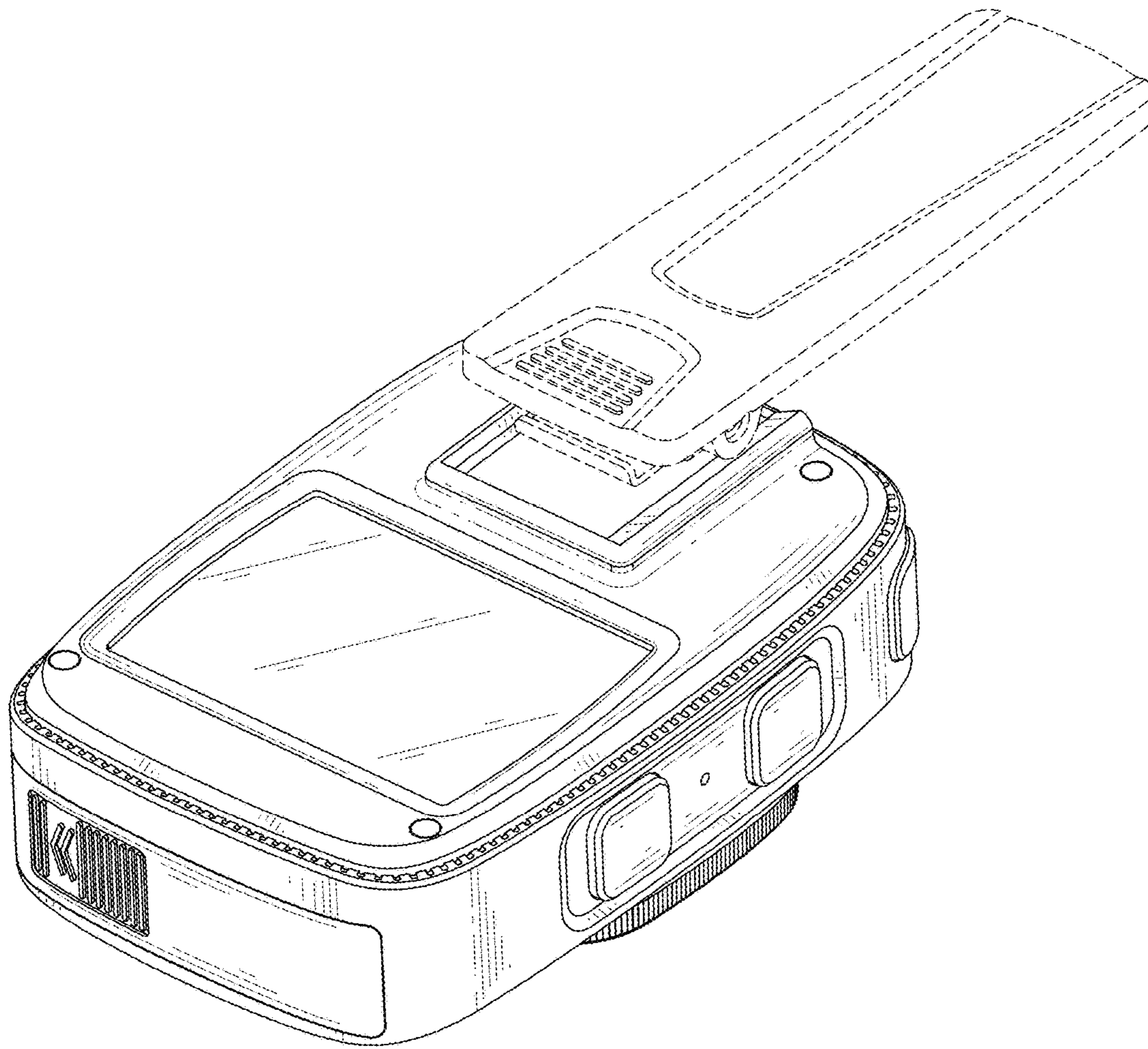


FIG. 10