



US00D825519S

(12) **United States Design Patent**
Ishii et al.

(10) **Patent No.:** **US D825,519 S**

(45) **Date of Patent:** **** Aug. 14, 2018**

(54) **MOBILE PHONE**

(71) Applicant: **KYOCERA Corporation**, Kyoto-shi,
Kyoto (JP)

(72) Inventors: **Atsushi Ishii**, Yokohama (JP); **Yuusuke Takahashi**, Yokohama (JP)

(73) Assignee: **KYOCERA Corporation**, Kyoto-shi,
Kyoto (JP)

(**) Term: **15 Years**

(21) Appl. No.: **29/595,197**

(22) Filed: **Feb. 27, 2017**

(51) **LOC (11) Cl.** **14-03**

(52) **U.S. Cl.**
USPC **D14/138 AB**

(58) **Field of Classification Search**
USPC D14/138 AB, 345, 203.4, 138 R, 496,
D14/341; 455/575.3; D21/517
CPC H04M 1/0216; H04M 1/0214; H04M 1/03;
G06F 1/1616
See application file for complete search history.

(56) **References Cited**

U.S. PATENT DOCUMENTS

D489,699 S *	5/2004	Hwang	D14/138 AB
D506,736 S *	6/2005	Lodato	D14/138 AB
D507,552 S *	7/2005	Liang	D14/138 AB
D510,923 S *	10/2005	Okamatsu	D14/138 AB
D518,465 S *	4/2006	Van Den	Nieuwenhuizen D14/138 AB
D518,809 S *	4/2006	Cho	D14/138 AB
D519,969 S *	5/2006	Sutherland	D14/138 AB
D552,577 S *	10/2007	Kim	D14/138 AB
D557,670 S *	12/2007	Park	D14/138 AB
D572,688 S *	7/2008	Kim	D14/138 AB
D576,995 S *	9/2008	Jinde	D14/138 AB
D578,976 S *	10/2008	Baik	D14/138 AB
D579,895 S *	11/2008	Yoshihara	D14/138 AB

D586,771 S *	2/2009	Wolf	D14/138 AB
D589,481 S *	3/2009	Nara	D14/138 AB
D592,630 S *	5/2009	Robertson, Jr.	D14/138 AB
D609,684 S *	2/2010	Nara	D14/138 AB

(Continued)

FOREIGN PATENT DOCUMENTS

JP	1424658 S	10/2011
JP	1424674 S	10/2011

(Continued)

OTHER PUBLICATIONS

Kyocera DuraXV LTE, Kyocera Mobile, Published on Oct. 3, 2017, [online], [site visited May 6, 2018]. Available from Internet, <URL: https://www.youtube.com/watch?v=_S_LFMD2kFQ>.*

(Continued)

Primary Examiner — Jeffrey D Asch

(74) *Attorney, Agent, or Firm* — Kenja IP Law PC

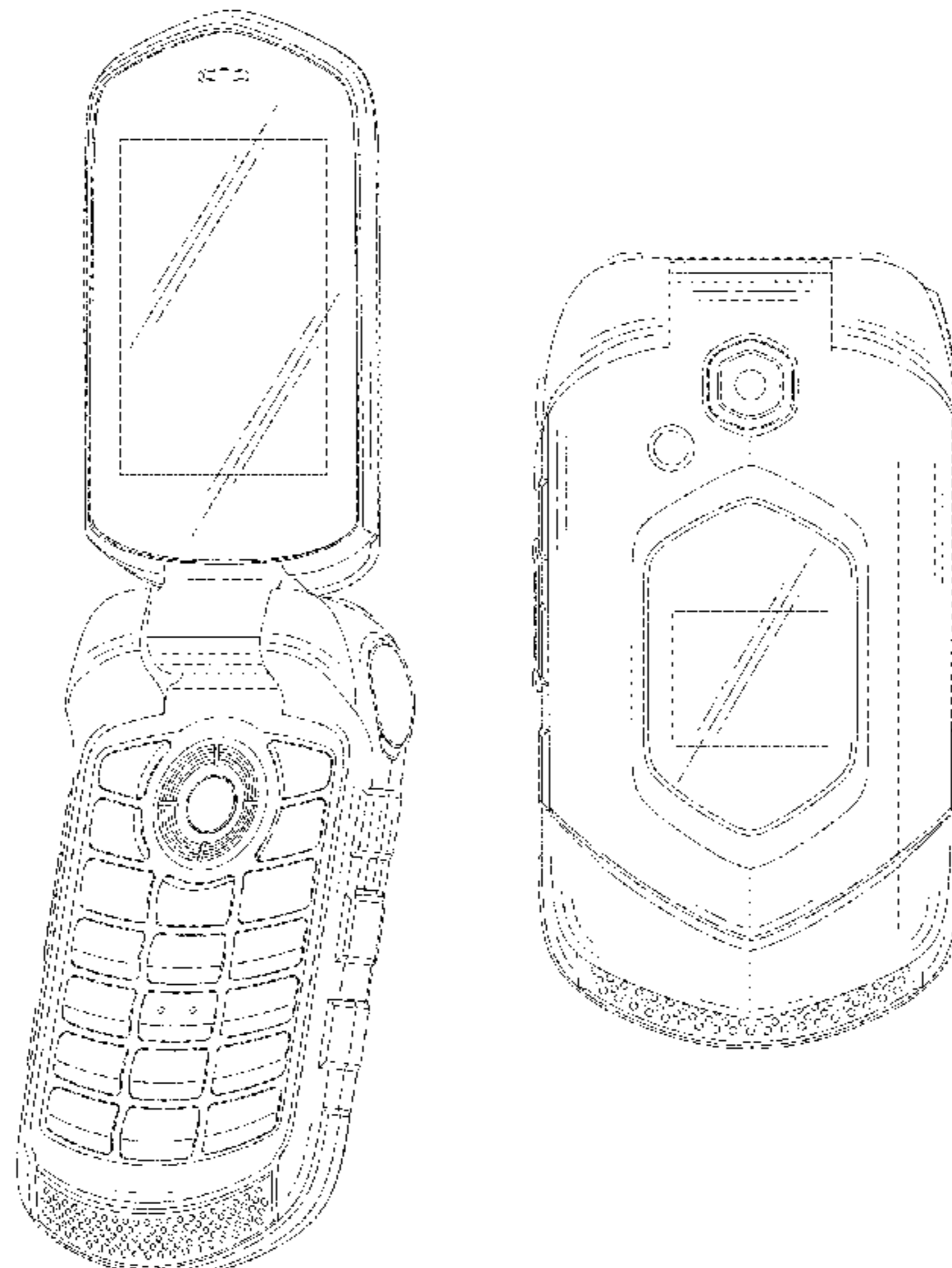
(57) **CLAIM**

The ornamental design for a mobile phone, as shown and described.

DESCRIPTION

FIG. 1 is a front perspective view of a mobile phone showing our new design;
FIG. 2 is a front perspective view thereof, showing the mobile phone opened;
FIG. 3 is a rear perspective view thereof, showing the mobile phone opened;
FIG. 4 is a front view thereof;
FIG. 5 is a rear view thereof;
FIG. 6 is a top plan view thereof;
FIG. 7 is a bottom view thereof;
FIG. 8 is a right side view thereof;
FIG. 9 is a left side view thereof; and,
FIG. 10 is a front view thereof, showing the mobile phone opened.

1 Claim, 10 Drawing Sheets



(56)

References Cited

U.S. PATENT DOCUMENTS

D615,065	S	*	5/2010	Kim	D14/138	AB
D626,107	S	*	10/2010	Nara	D14/138	AB
D627,321	S	*	11/2010	Ardinghi	D14/138	AB
D635,117	S	*	3/2011	Hirota	D14/138	AB
D648,696	S	*	11/2011	Hirota	D14/138	AB
D649,133	S	*	11/2011	Goto	D14/138	AB
D682,240	S	*	5/2013	Hirota	D14/138	AB
D687,806	S	*	8/2013	Hachiya	D14/138	G
D751,524	S	*	3/2016	Nagao	D14/138	AB
D777,133	S		1/2017	Ishii			
D803,202	S	*	11/2017	Takahashi	D14/248	
D816,634	S	*	5/2018	Nagao	D14/138	AB
2007/0087793	A1	*	4/2007	Noma	H04M 1/0214	
						455/575.3	
2012/0106106	A1	*	5/2012	Katou	H04M 1/0216	
						361/752	

FOREIGN PATENT DOCUMENTS

JP		1454996	S	11/2012
JP		1537369	S	11/2015

OTHER PUBLICATIONS

Kyocera DuraXV, Gadget TV, Published on Feb. 19, 2015, [online], [site visited Jun. 6, 2017]. Available from Internet, <URL: <https://www.youtube.com/watch?v=sF87TJWBen4>>.*

Kyocera DuraXTP, Kyocera Mobile, Published on Jan 18, 2016, [online], [site visited Jun. 6, 2017]. Available from Internet, <URL: https://www.youtube.com/watch?v=nKw_dR7koG0>.*

Kyocera Duramax, released Oct. 2011, [online], [site visited Jun. 5, 2017]. Available from Internet, <URL: http://www.gsmarena.com/kyocera_duramax-4317.php>.*

Casio G'zOne Ravine, released Oct. 2010, [online], [site visited Jun. 5, 2017]. Available from Internet, <URL: http://www.gsmarena.com/casio_g_zone_ravine-4553.php>.*

cnet.com, Retrieved on Feb. 27, 2017, from URL: <http://www.cnet.com/products/motorola-brute-i686-graphite-sprint-nextel/>.

kyoceramobile.com, Retrieved on Feb. 27, 2017, from URL: <http://www.kyoceramobile.com/durax/>.

kyoceramobile.com, Retrieved on Feb. 27, 2017, from URL: <http://www.kyoceramobile.com/duraxv/>.

verizonwireless.com, Retrieved on Feb. 27, 2017, from URL: <http://www.verizonwireless.com/basic-phones/convoy-3/>.

* cited by examiner

FIG. 1

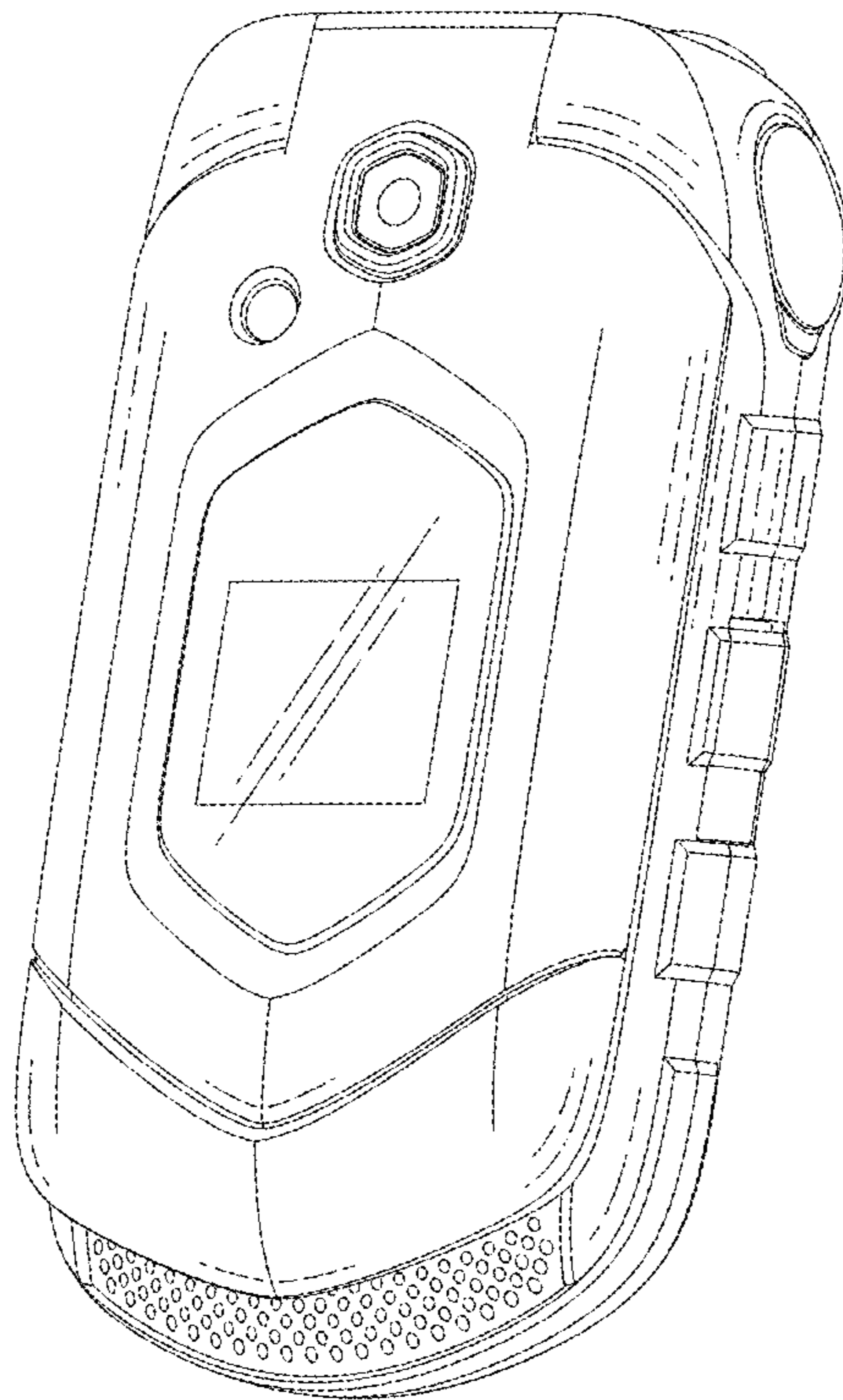


FIG. 2

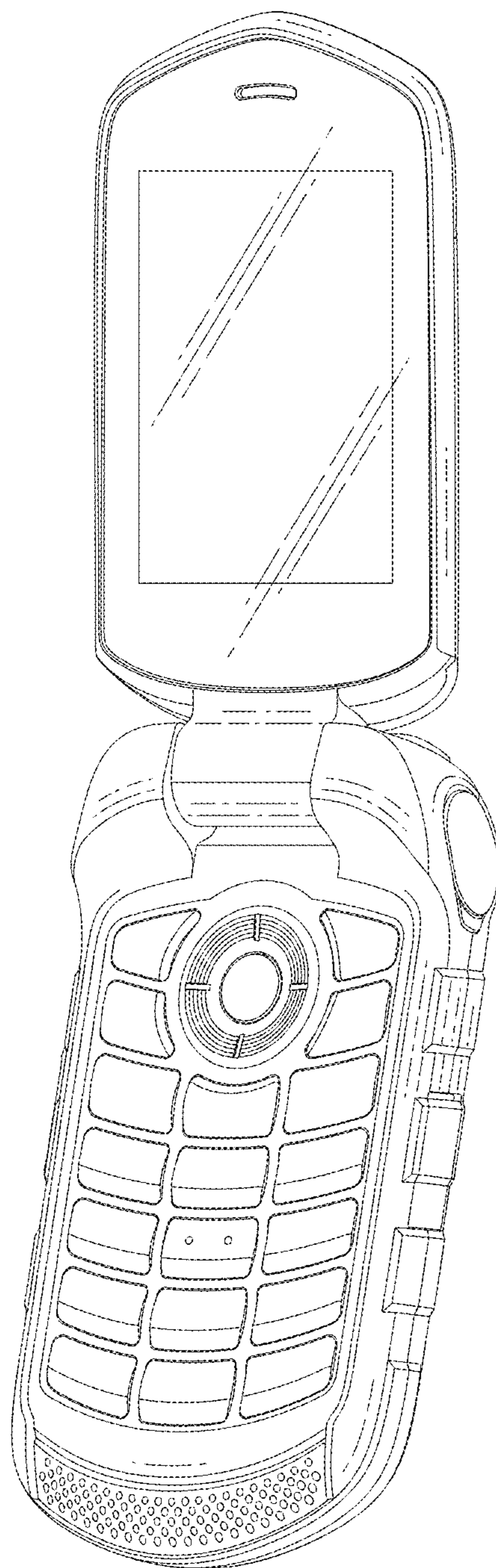


FIG. 3

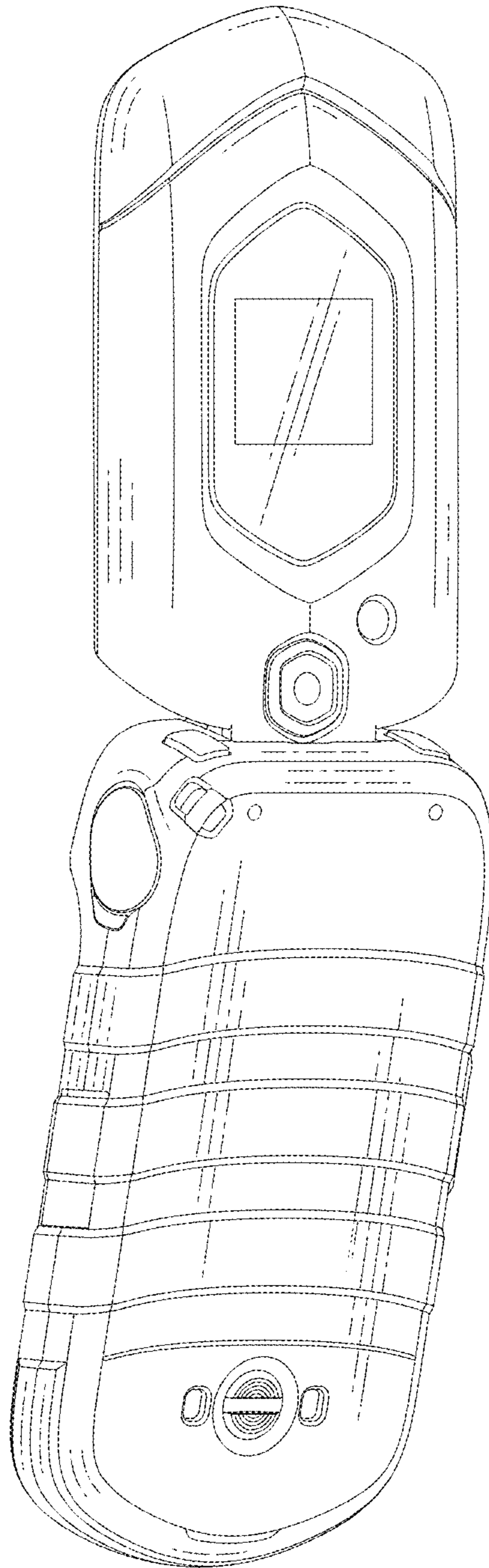


FIG. 4

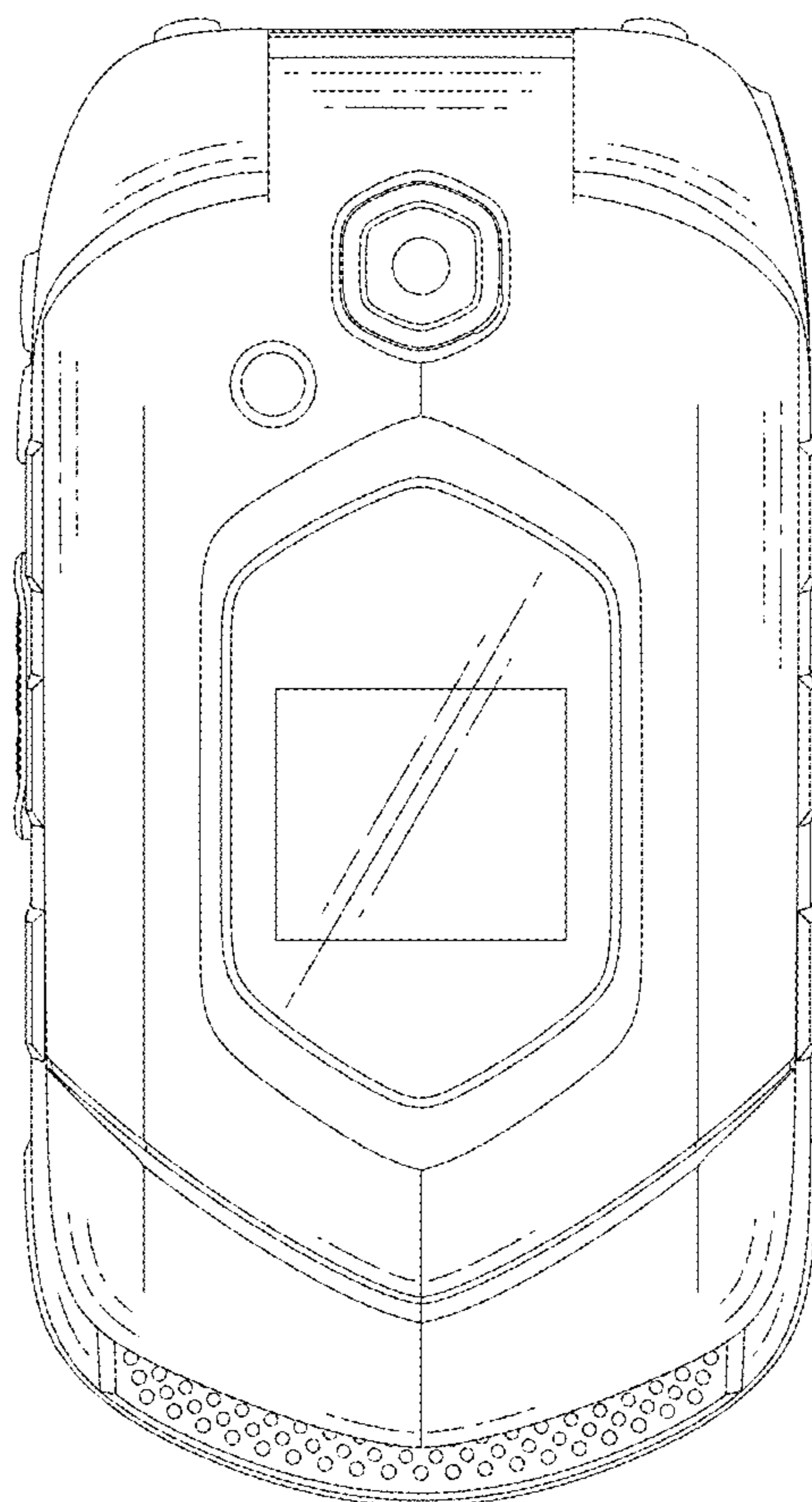


FIG. 5

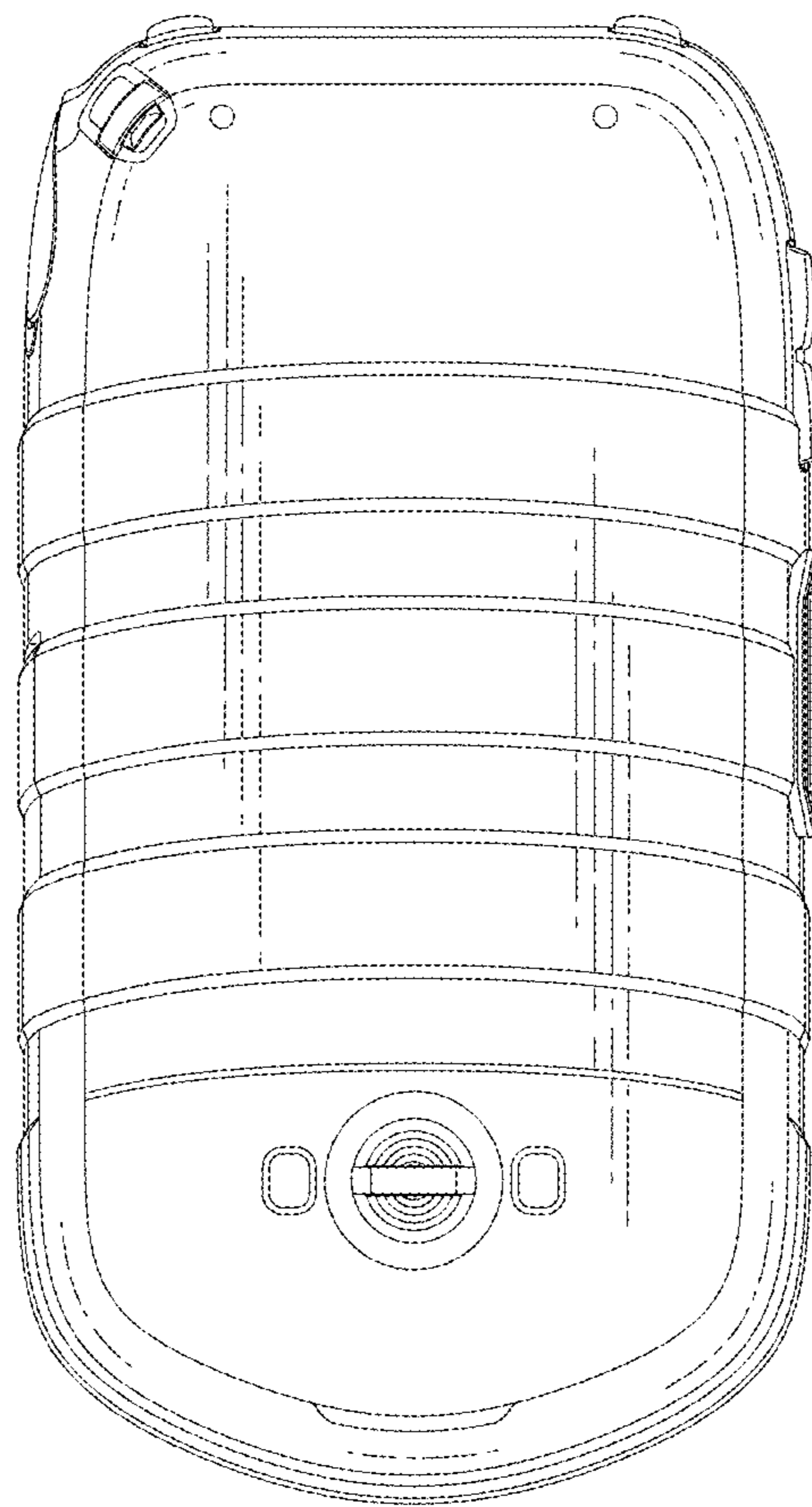


FIG. 6

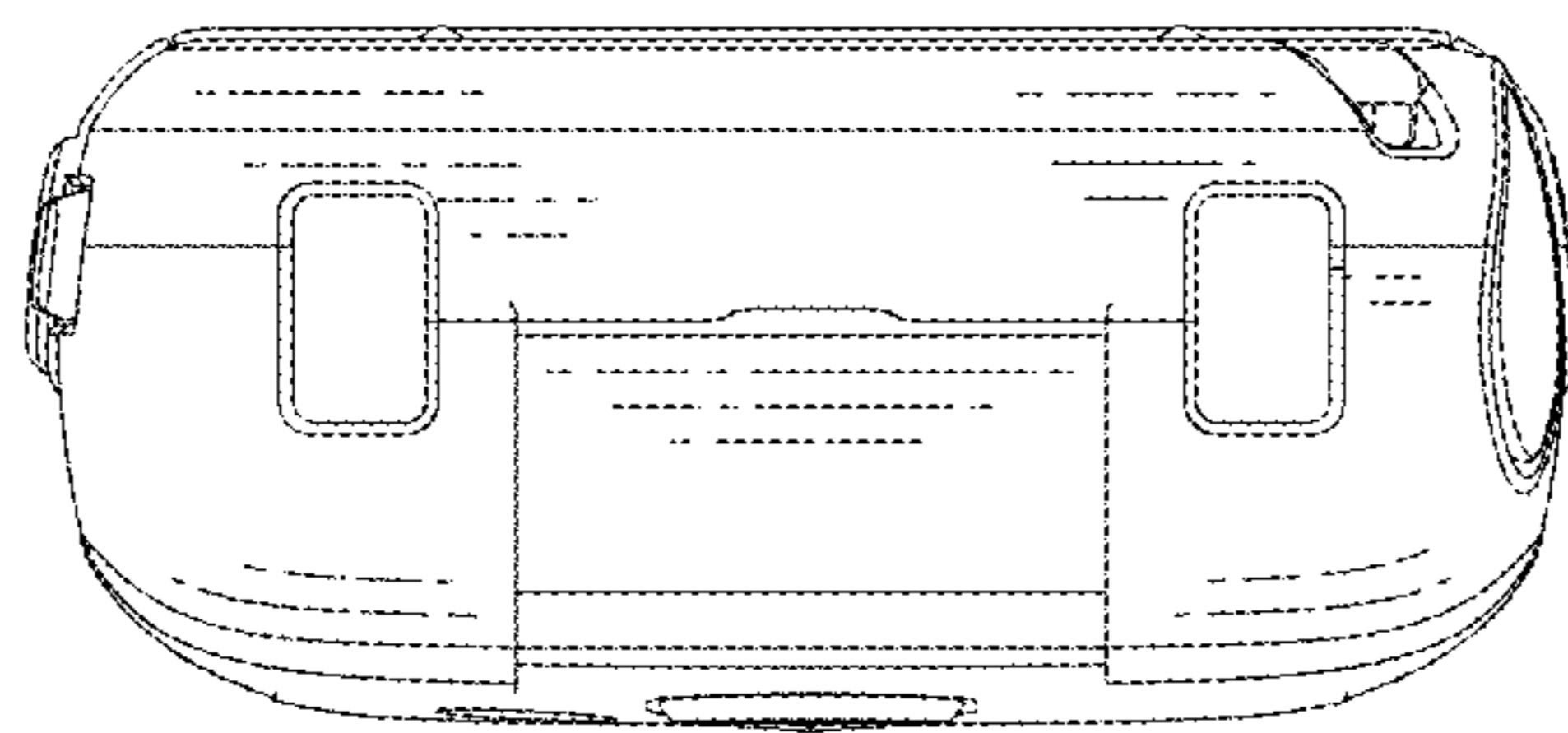


FIG. 7

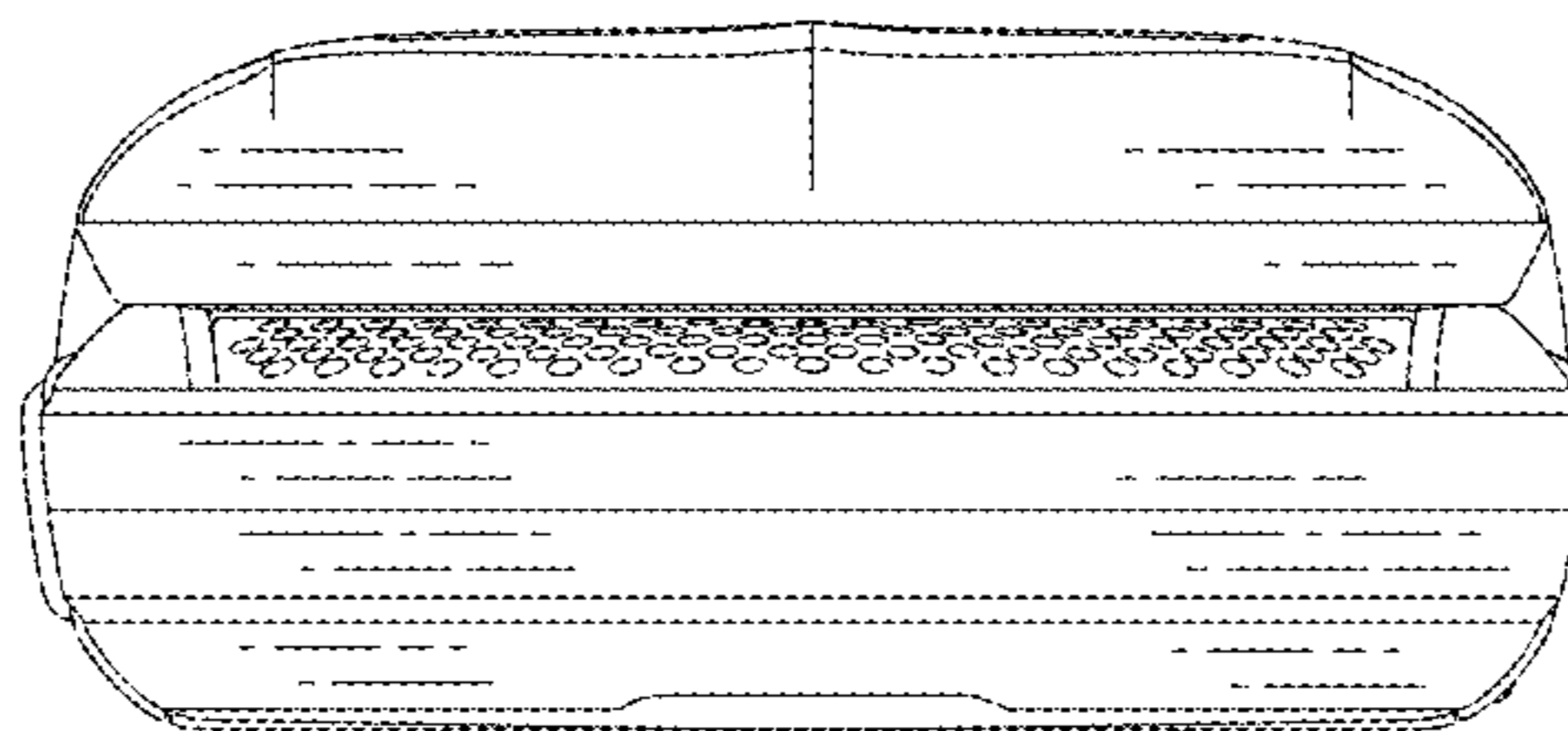


FIG. 8

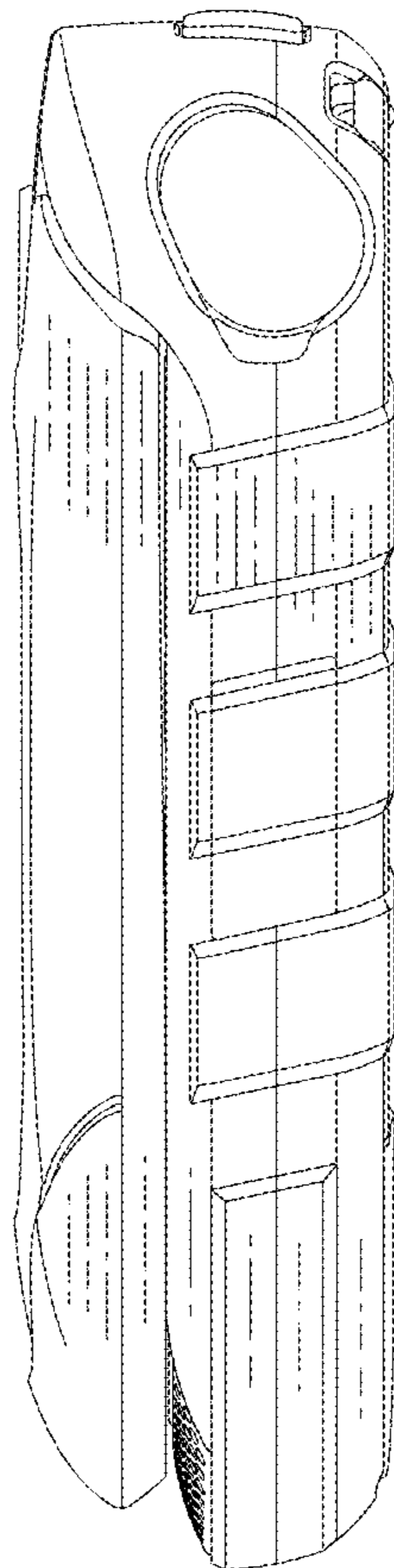


FIG. 9

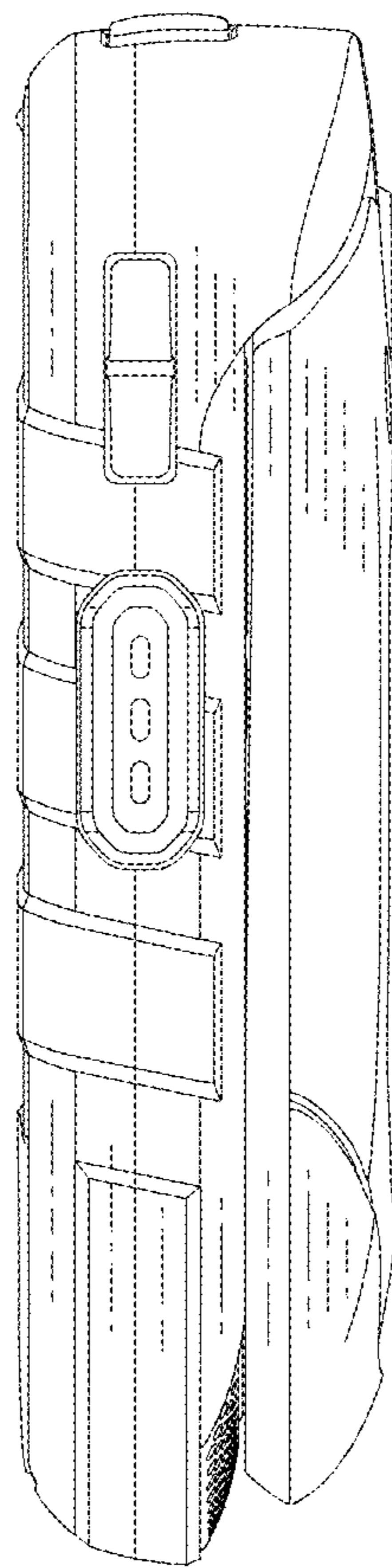


FIG. 10

