



US00D825497S

(12) **United States Design Patent**
Mizushi et al.

(10) **Patent No.:** **US D825,497 S**

(45) **Date of Patent:** **** Aug. 14, 2018**

(54) **INPUT DEVICE FOR INDUSTRIAL EQUIPMENT**

(71) Applicant: **Mitsubishi Electric Corporation,**
Tokyo (JP)

(72) Inventors: **Yuki Mizushi,** Tokyo (JP); **Yoshinori Saigusa,** Tokyo (JP); **Koji Kiyohara,** Tokyo (JP); **Hongkue Lee,** Tokyo (JP)

(73) Assignee: **Mitsubishi Electric Corporation,**
Tokyo (JP)

(**) Term: **15 Years**

(21) Appl. No.: **29/596,702**

(22) Filed: **Mar. 10, 2017**

(30) **Foreign Application Priority Data**

Sep. 12, 2016 (JP) 2016-019681
Sep. 12, 2016 (JP) 2016-019682

(51) **LOC (11) Cl.** **14-03**

(52) **U.S. Cl.**
USPC **D13/168**

(58) **Field of Classification Search**
USPC D14/218, 240, 374, 383, 384, 434, 496,
D14/203.3, 203.7; D13/168, 107, 108,
D13/162, 162.1, 158; D10/104.1, 106.1,
D10/106.5, 106.6, 106.95, 49, 50;
D7/602, 610; D3/218; 455/419, 420, 92,
455/352; D15/138
CPC H04N 5/4403; H01H 9/0235; H03J 9/00;
H04B 1/205; G08C 2201/00; G08C
2201/30; G08C 2201/40; G08C 2201/41;
G08C 2201/42; G08C 2201/91; G08C
2201/92

See application file for complete search history.

(56) **References Cited**

U.S. PATENT DOCUMENTS

D247,746 S * 4/1978 Hall D13/168
D253,234 S * 10/1979 Cooke D13/168

D306,998 S * 4/1990 Mintz D13/164
D308,359 S * 6/1990 Lauchnor D13/164
D415,121 S * 10/1999 Uematsu D14/328
D430,556 S * 9/2000 Takahashi D14/218
D480,720 S * 10/2003 Sjoberg D14/341
D504,872 S * 5/2005 Uehara D13/168
D521,459 S * 5/2006 Yun D13/168

(Continued)

Primary Examiner — Jeffrey D Asch

Assistant Examiner — Rebekah A Caruso

(74) *Attorney, Agent, or Firm* — Studebaker & Brackett
PC

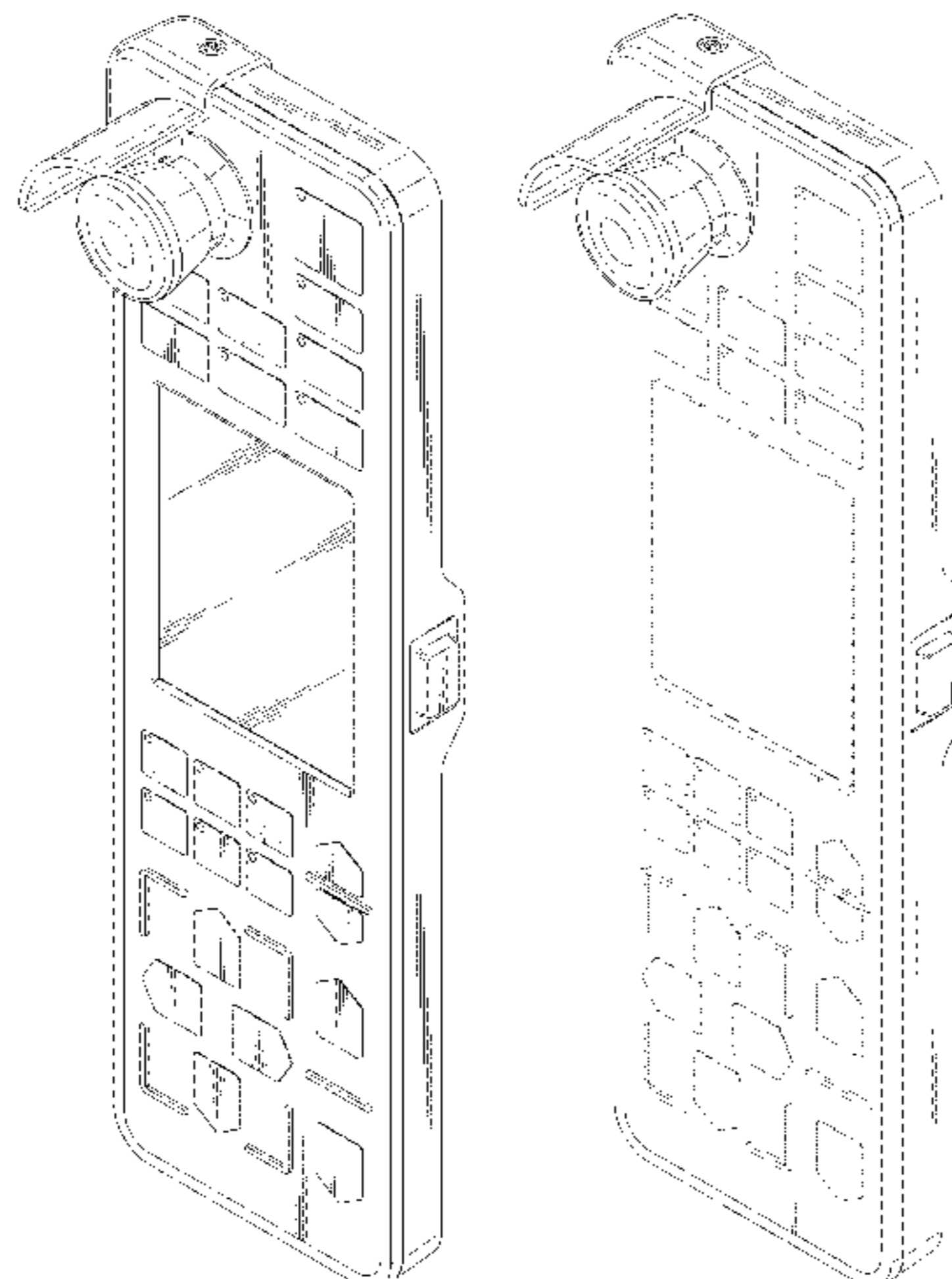
(57) **CLAIM**

The ornamental design for an input device for industrial equipment, as shown and described.

DESCRIPTION

FIG. 1 is a front, top and right side perspective view of an input device for industrial equipment of an initial embodiment showing our new design;
FIG. 2 is a front view thereof;
FIG. 3 is a rear view thereof;
FIG. 4 is a top view thereof;
FIG. 5 in a bottom view thereof;
FIG. 6 is a left side view thereof;
FIG. 7 is a right side view thereof;
FIG. 8 is a front, top and right side perspective view of an input device for industrial equipment of a second embodiment showing our new design;
FIG. 9 is a front view thereof;
FIG. 10 is a rear view thereof;
FIG. 11 is a top view thereof;
FIG. 12 in a bottom view thereof;
FIG. 13 is a left side view thereof; and,
FIG. 14 is a right side view thereof.
The parts shown in the broken lines do not form part of the claimed design.

1 Claim, 10 Drawing Sheets



(56)

References Cited

U.S. PATENT DOCUMENTS

D552,562 S *	10/2007	Yamamoto	D13/168
D573,548 S *	7/2008	Chouji	D13/168
D585,387 S *	1/2009	Fukano	D13/168
D607,846 S *	1/2010	Daniels	D13/168
D611,432 S *	3/2010	Ducret	D13/168
D616,439 S *	5/2010	Mugica	D14/383
D619,107 S *	7/2010	Giugiaro	D13/168
D641,734 S *	7/2011	Chou	D14/218
D662,478 S *	6/2012	Rantala	D13/168
D730,847 S *	6/2015	Weiss	D13/168
D756,334 S *	5/2016	Ducret	D14/218
D785,600 S *	5/2017	VanDuyen	D14/218
D785,601 S *	5/2017	VanDuyen	D14/218
D790,483 S *	6/2017	Yoon	D13/168
D795,444 S *	8/2017	Chen	D24/215
D808,909 S *	1/2018	Findik	D13/168

* cited by examiner

Fig. 1

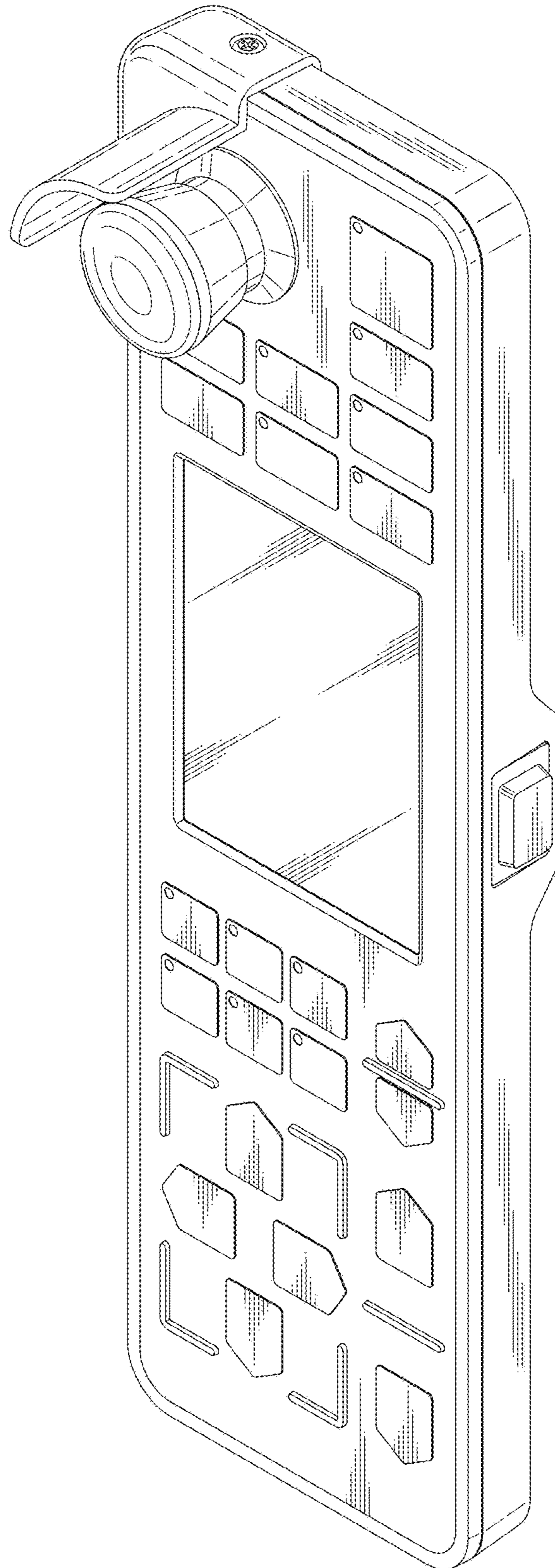


Fig. 2

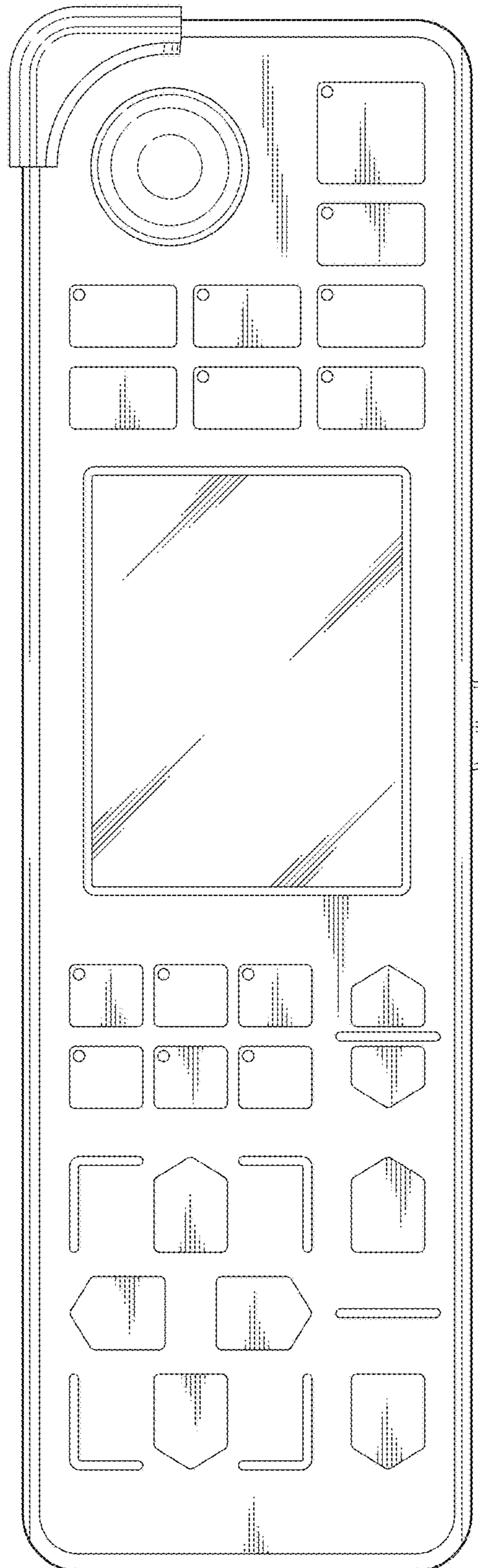


Fig. 3

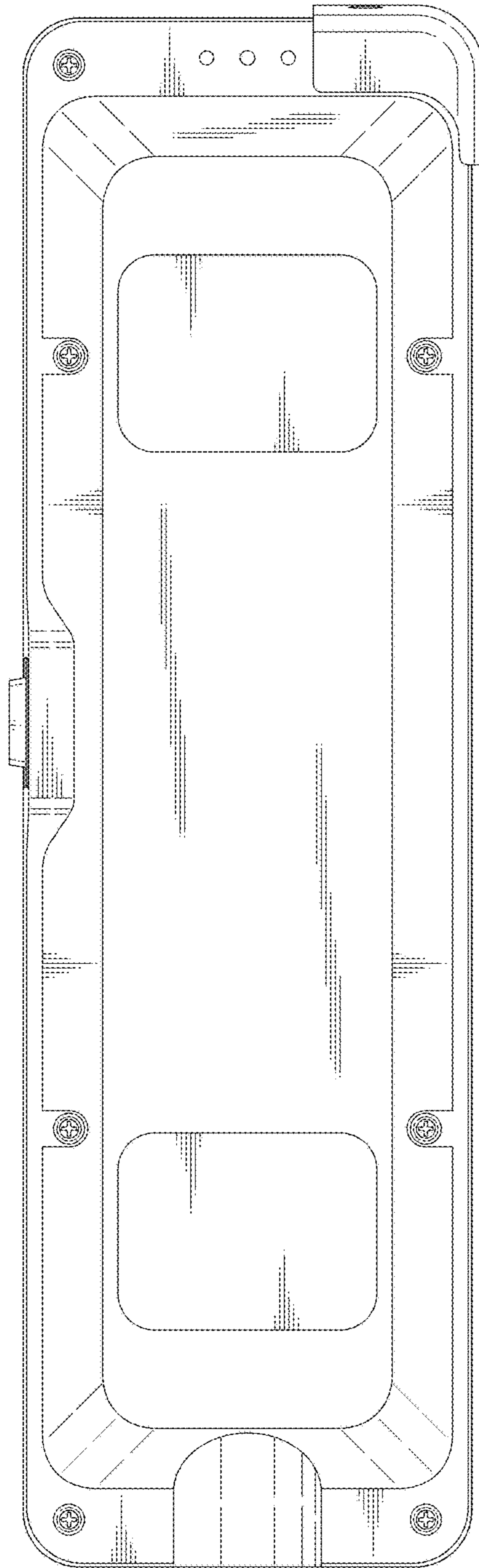


Fig. 4

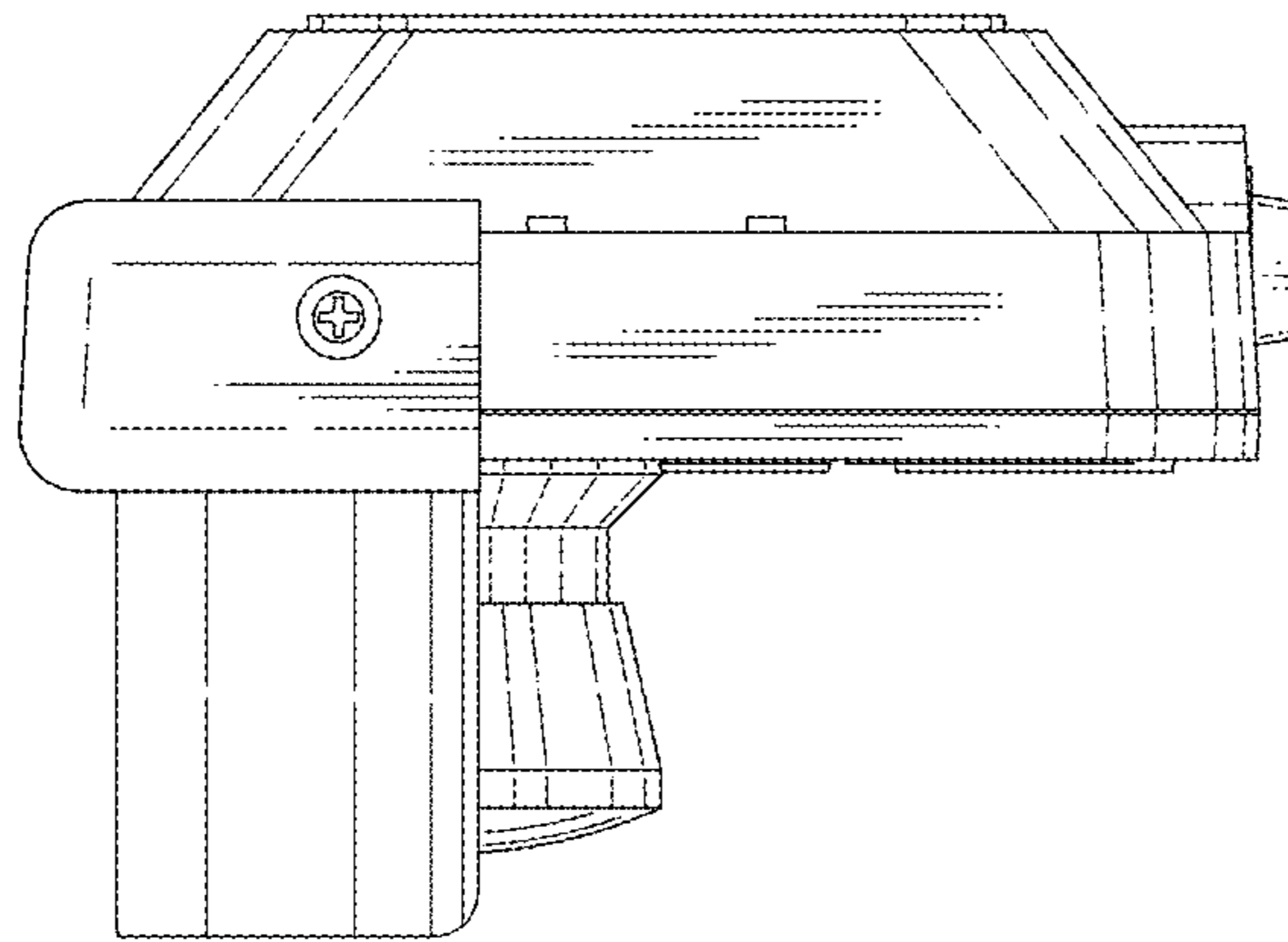


Fig. 5

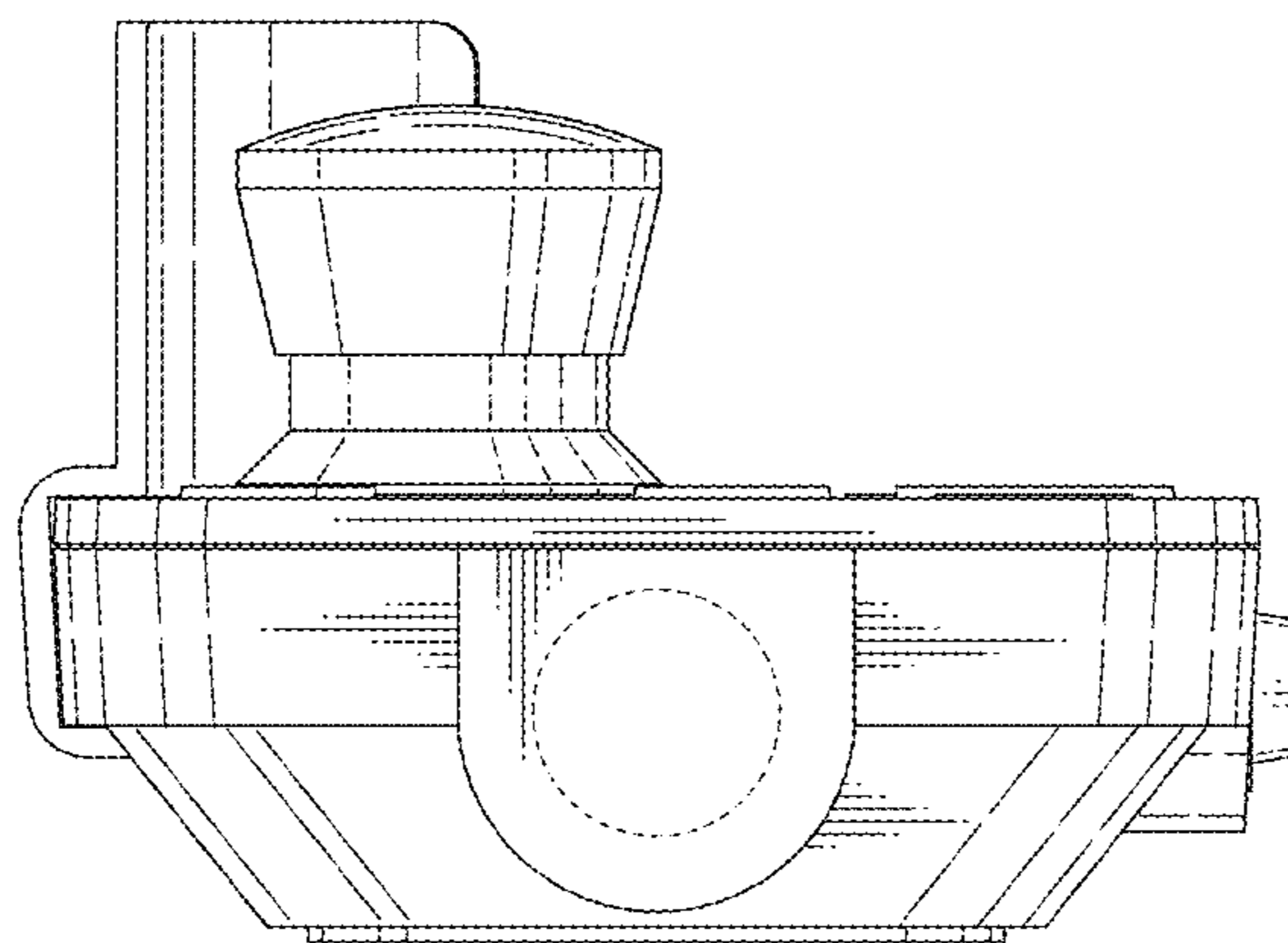


Fig. 6

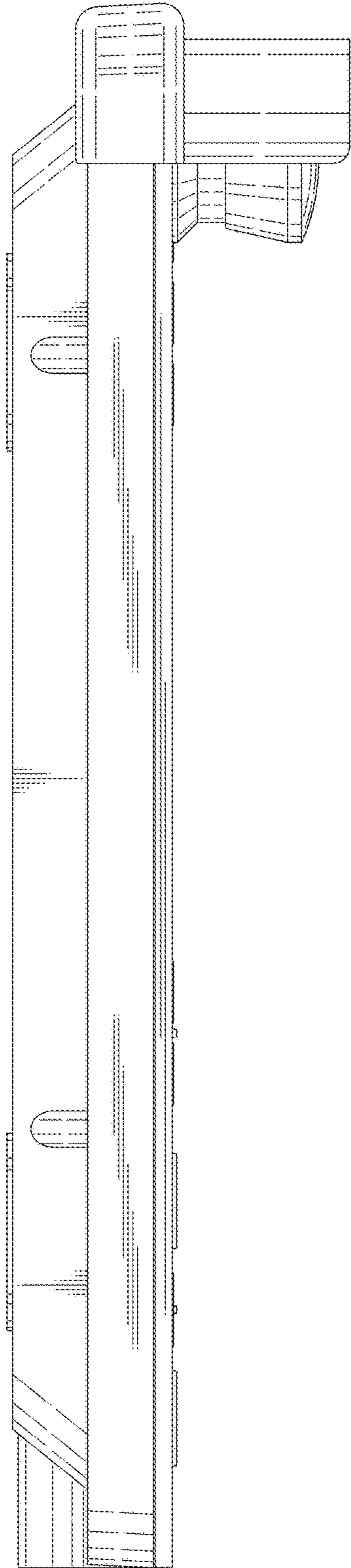


Fig. 7

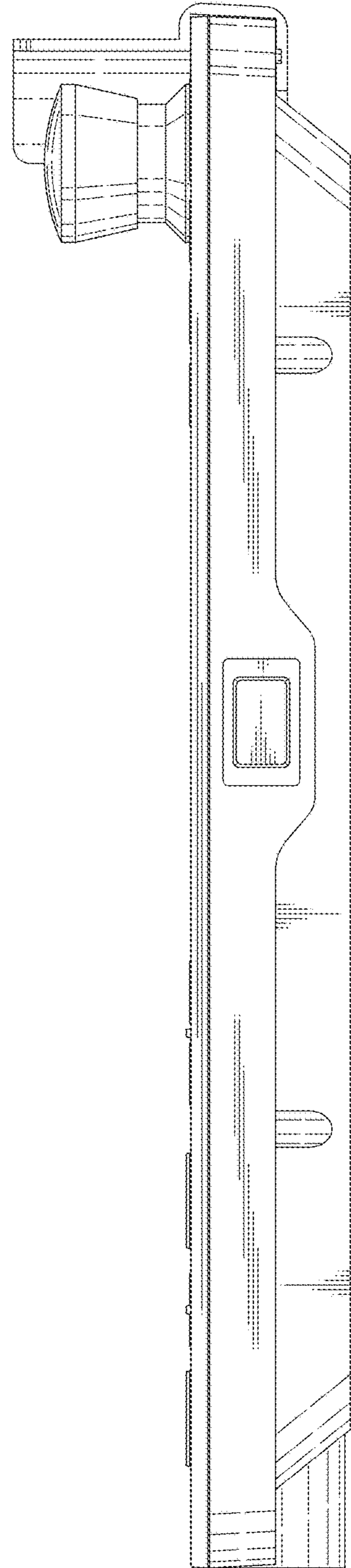


Fig. 8

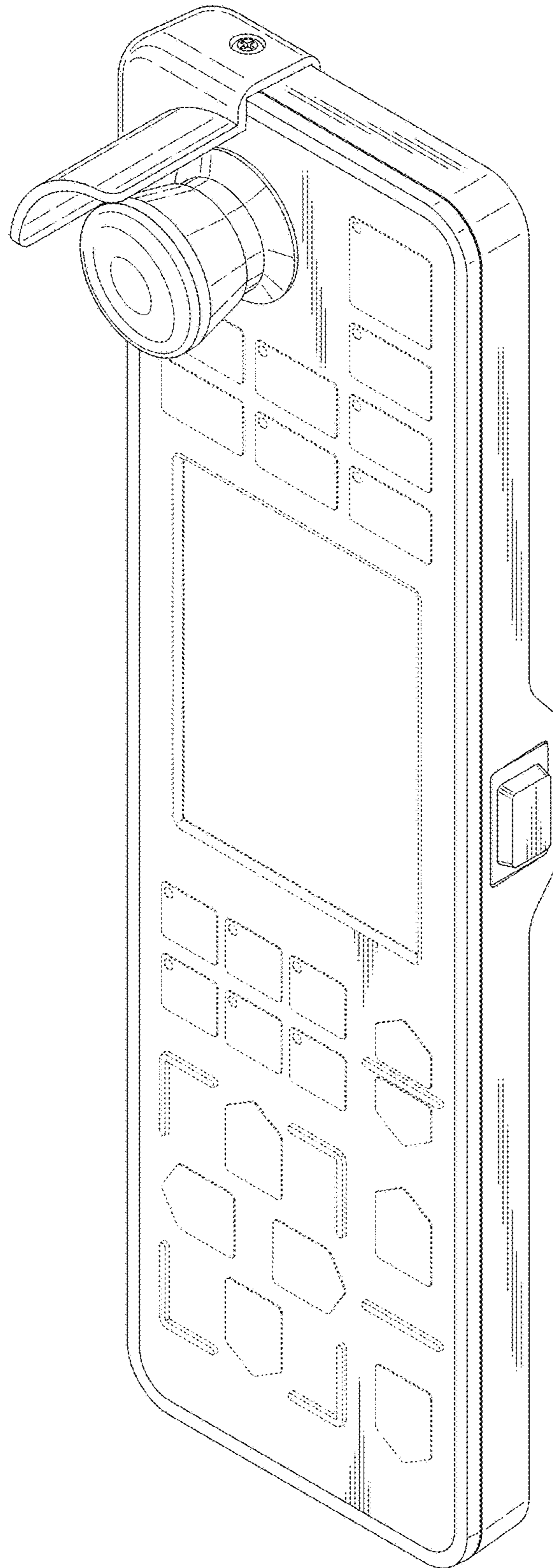


Fig. 9

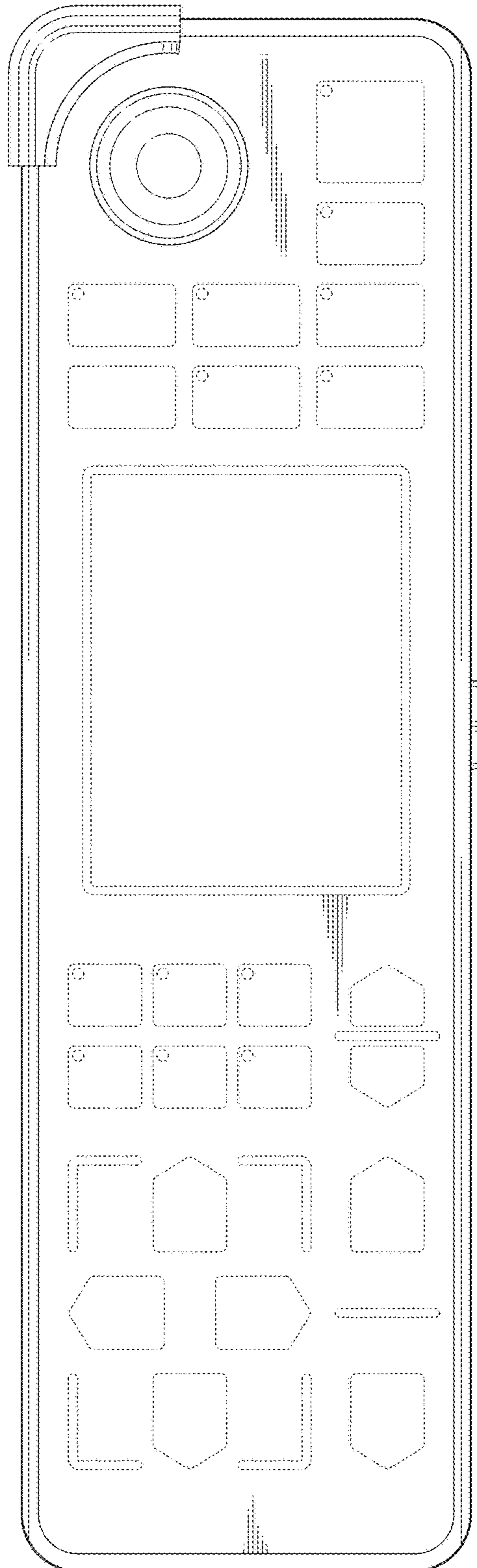


Fig. 10

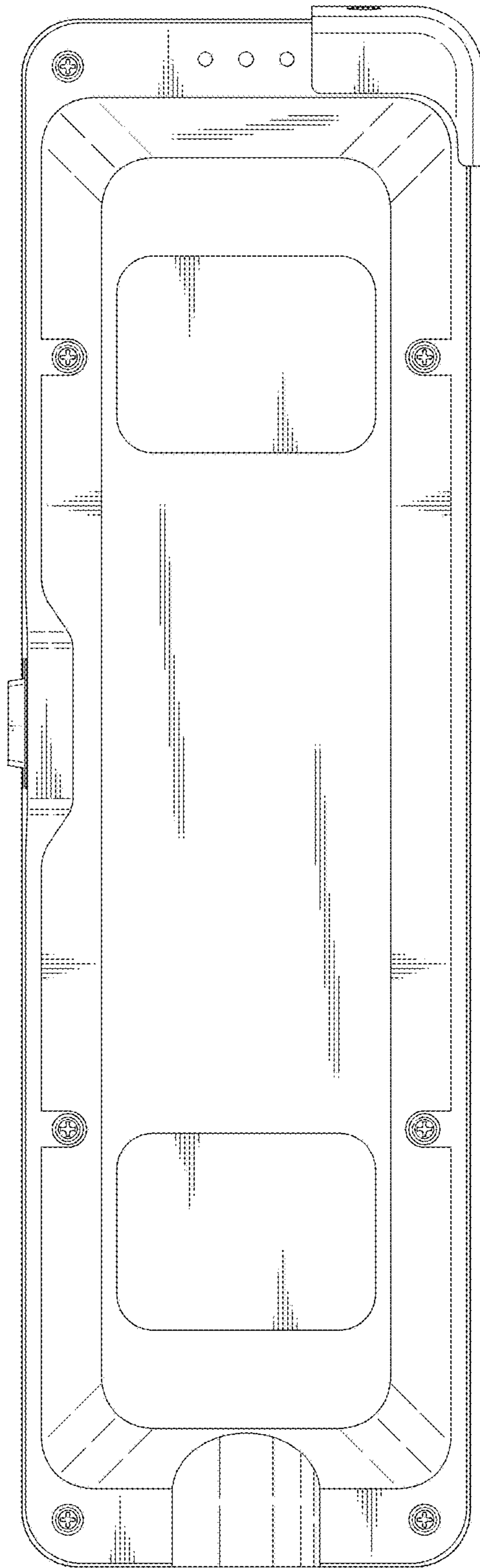


Fig. 11

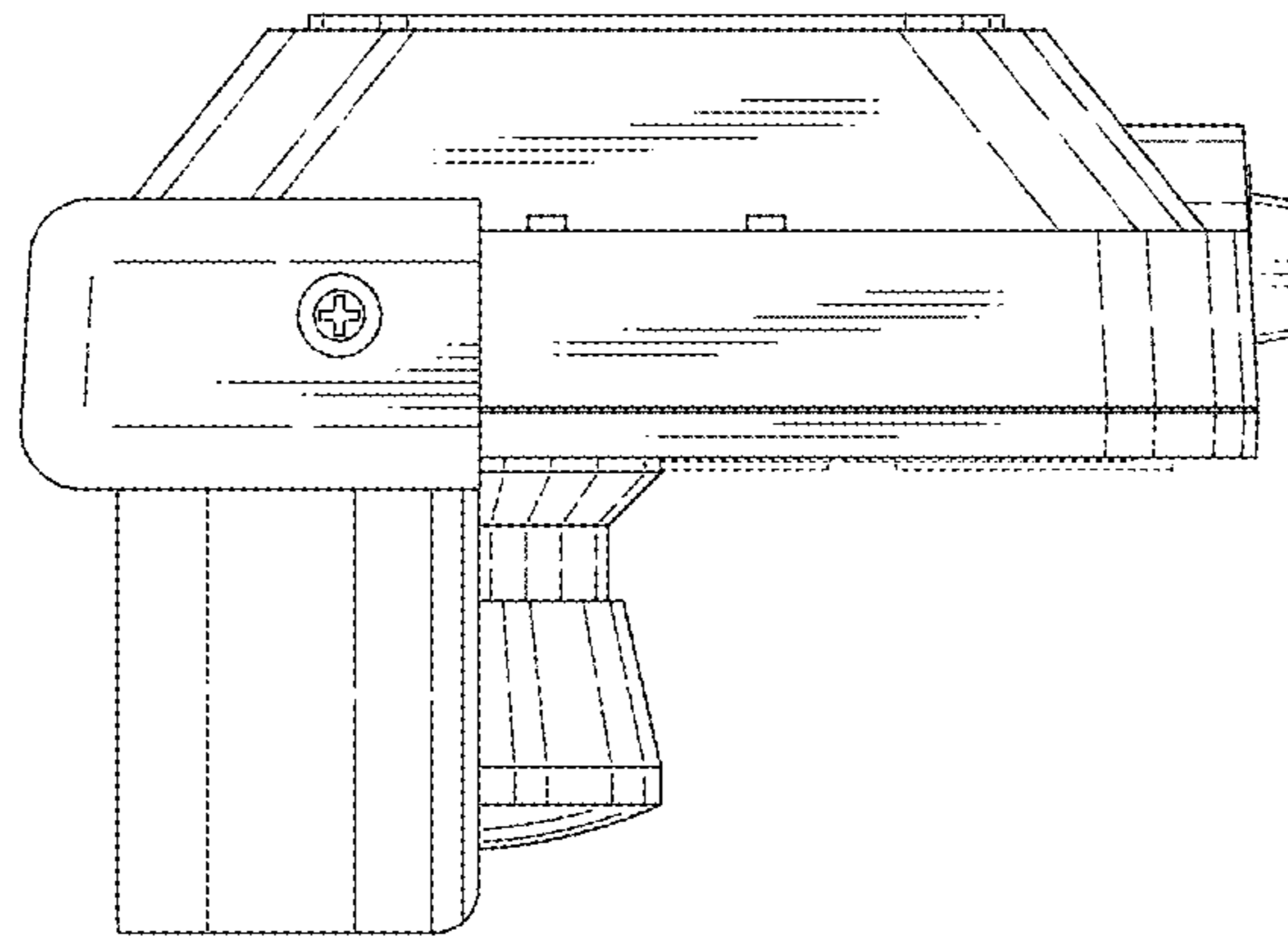


Fig. 12

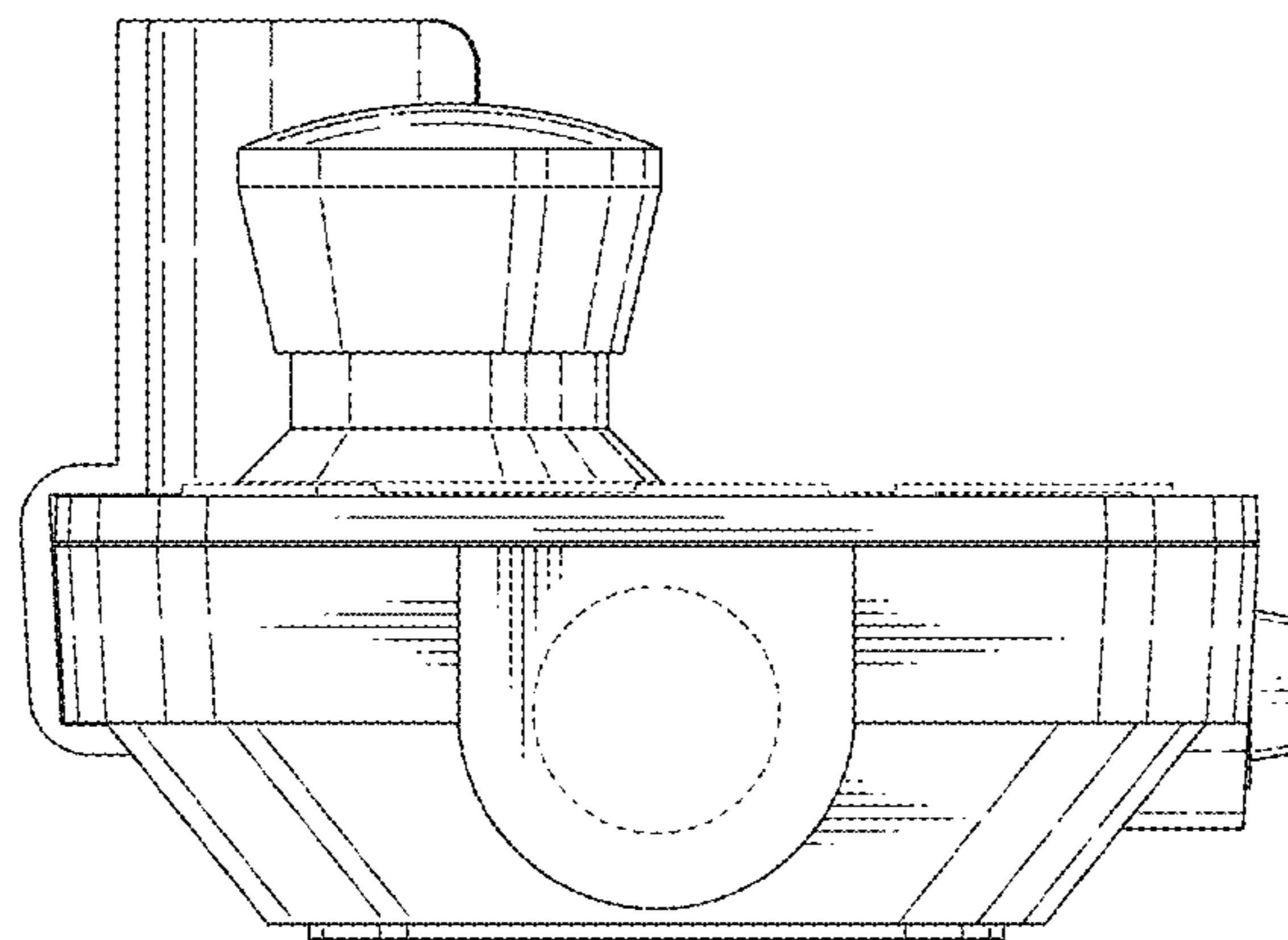


Fig. 13

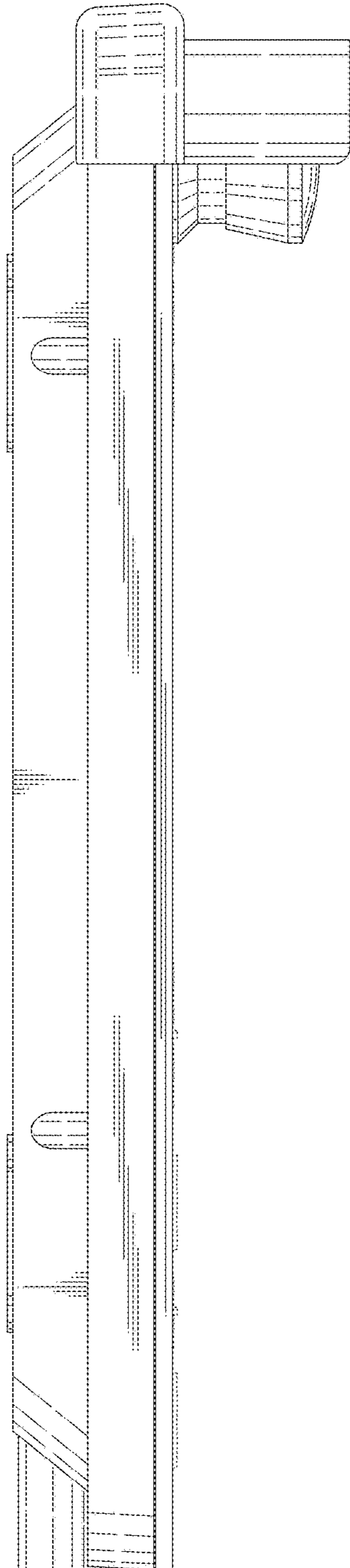


Fig. 14

