



US00D825495S

(12) **United States Design Patent** (10) **Patent No.:** **US D825,495 S**
Yagisawa et al. (45) **Date of Patent:** **** Aug. 14, 2018**

(54) **REMOTE CONTROLLER FOR HOUSEHOLD APPLIANCE**

(56) **References Cited**

U.S. PATENT DOCUMENTS

(71) Applicant: **mitsubishi electric corporation**, Tokyo (JP)
(72) Inventors: **Takaki Yagisawa**, Tokyo (JP); **Kenshiro Kitamura**, Tokyo (JP); **Chiyo Yoshimura**, Tokyo (JP); **Daisuke Iizawa**, Tokyo (JP); **Ryo Yoshida**, Tokyo (JP); **Saika Tashiro**, Tokyo (JP)
(73) Assignee: **Mitsubishi Electric Corporation**, Tokyo (JP)

D629,764 S *	12/2010	de Swarte	D13/168
D698,338 S *	1/2014	Ingham	D14/218
D724,547 S *	3/2015	Baldwin	D13/168
D729,209 S *	5/2015	McManigal	D14/218
D730,874 S *	6/2015	McManigal	D14/218
D743,915 S *	11/2015	Sakai	D13/168
D755,733 S *	5/2016	Ikegaya	D13/168
D763,204 S *	8/2016	Ikegaya	D13/168
D771,597 S *	11/2016	Akana	D14/218
D778,266 S *	2/2017	Maier	D14/218
D781,292 S *	3/2017	Bae	D14/374

(Continued)

Primary Examiner — Jeffrey D Asch

Assistant Examiner — Rebekah A Caruso

(74) *Attorney, Agent, or Firm* — Studebaker & Brackett PC

(**) Term: **15 Years**

(21) Appl. No.: **29/593,208**

(22) Filed: **Feb. 7, 2017**

(57) **CLAIM**

The ornamental design for a remote controller for household appliance, as shown and described.

(30) **Foreign Application Priority Data**

Aug. 9, 2016 (JP) 2016-017053

(51) **LOC (11) Cl.** **14-03**

(52) **U.S. Cl.**
USPC **D13/168**; D14/218

(58) **Field of Classification Search**
USPC D14/218, 240, 374, 383, 384, 434, 496, D14/203.3, 203.7; D13/168, 107, 108, D13/162, 162.1; D10/104.1, 106.1, D10/106.5, 106.6, 106.95, 49, 50; D7/602, 610; D3/218; 455/419, 420, 92, 455/352
CPC H04N 5/4403; H01H 9/0235; H03J 9/00; H04B 1/205; G08C 2201/00; G08C 2201/30; G08C 2201/40; G08C 2201/41; G08C 2201/42; G08C 2201/91; G08C 2201/92

See application file for complete search history.

DESCRIPTION

FIG. 1 is a perspective view of the front, right and top sides of a remote controller for household appliance showing our new design;

FIG. 2 is a front view thereof;

FIG. 3 is a rear view thereof;

FIG. 4 is a left side view thereof;

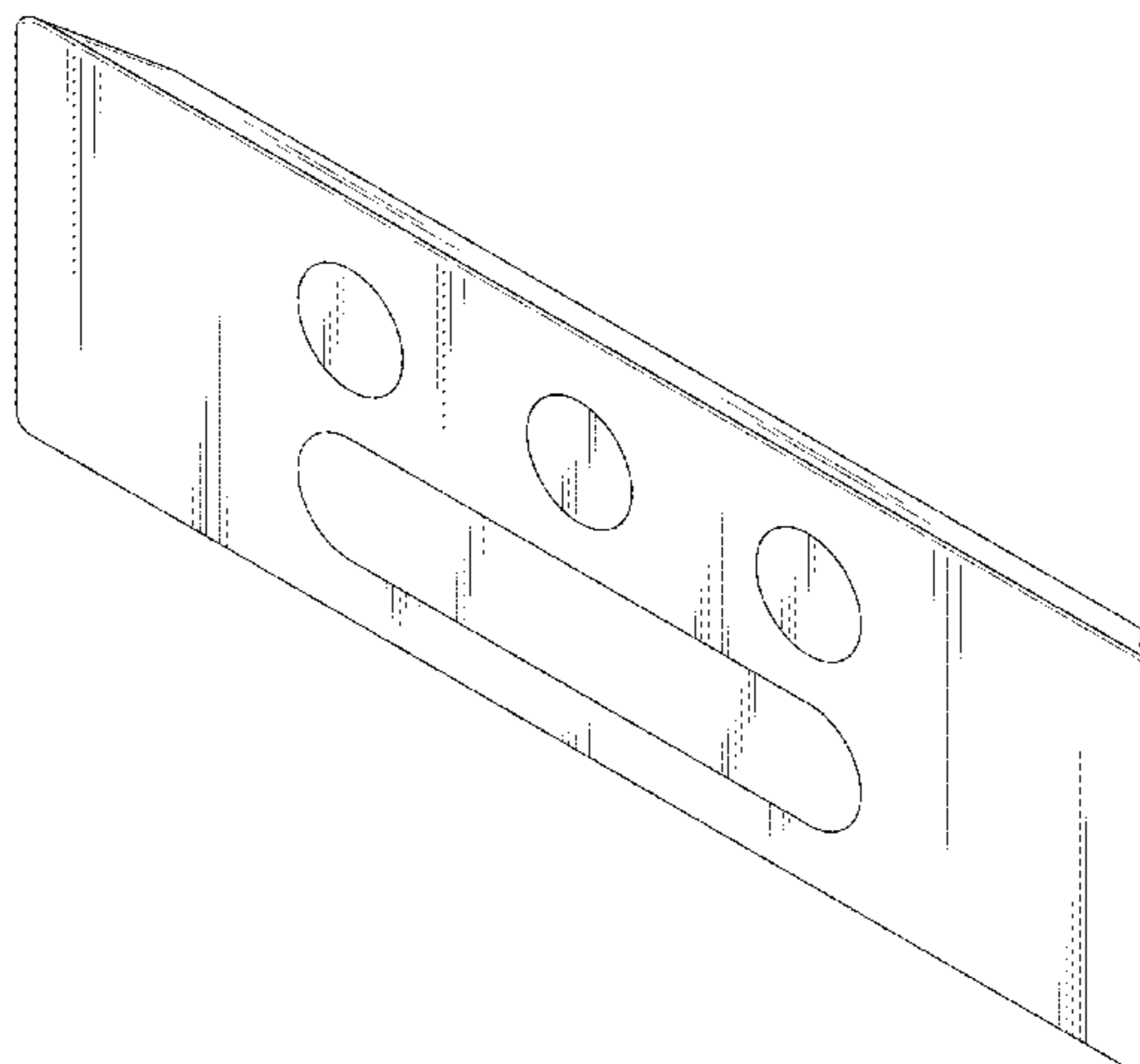
FIG. 5 is a right side view thereof;

FIG. 6 is a top view thereof;

FIG. 7 is a bottom view thereof; and,

FIG. 8 is a reference perspective view showing usage state thereof.

(Continued)



The broken line showing of the additional component of the remote controller for household appliance is included for the purpose of illustrating environmental structure and forms no part of the claimed design.

1 Claim, 6 Drawing Sheets

(56)

References Cited

U.S. PATENT DOCUMENTS

D796,484 S	*	9/2017	Chen	D14/218
D805,058 S	*	12/2017	Akana	D14/218
D805,501 S	*	12/2017	Akana	D14/218
D811,373 S	*	2/2018	Lee	D14/218
D813,868 S	*	3/2018	Jou	D14/390

* cited by examiner

Fig. 1

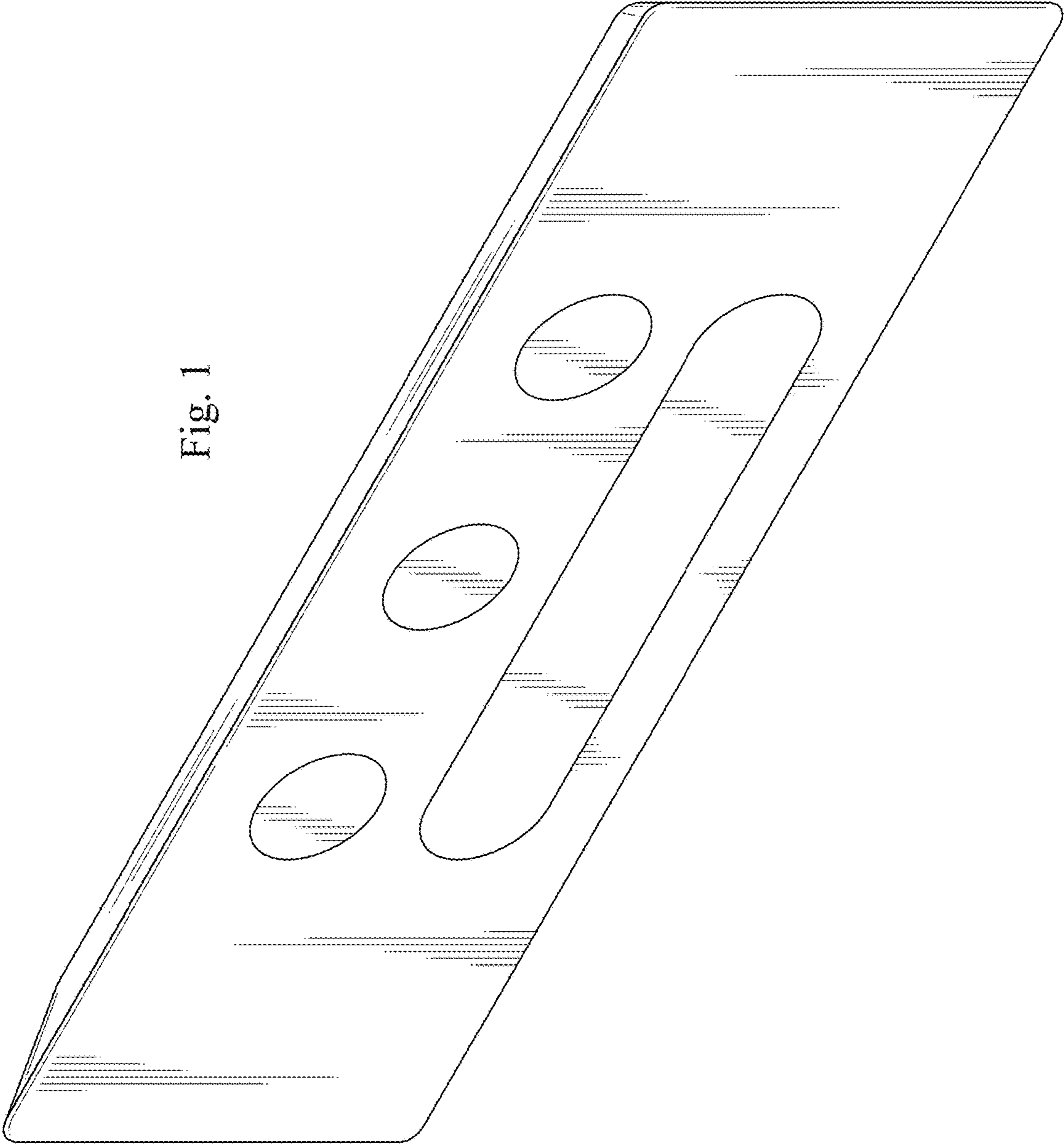


Fig. 2

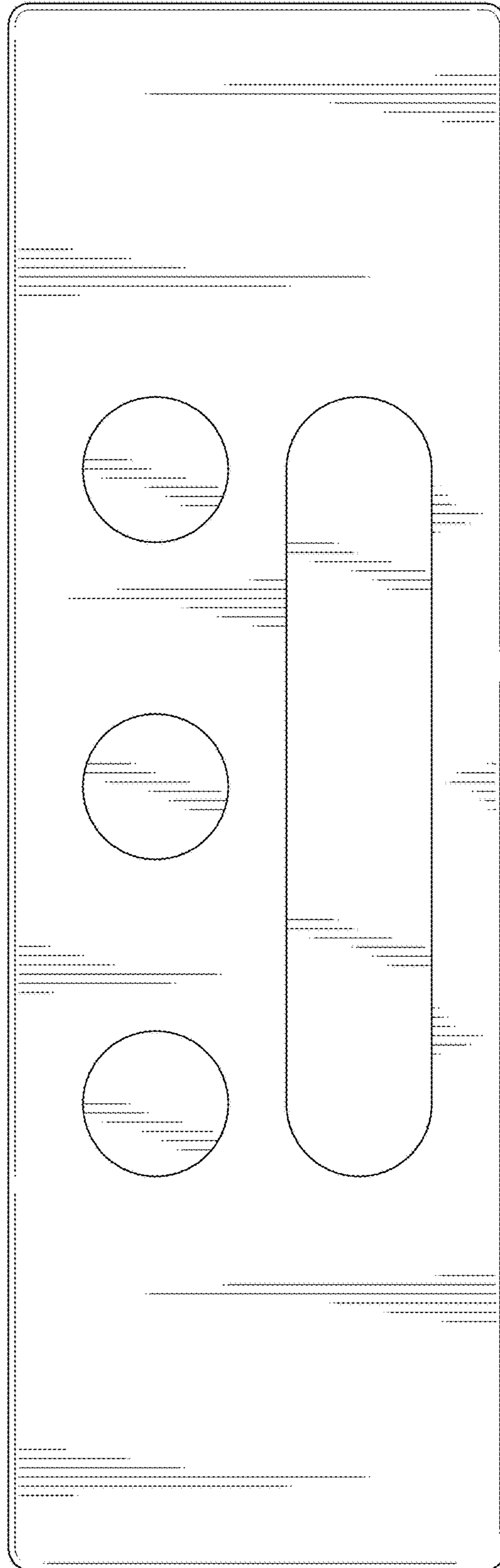


Fig. 3

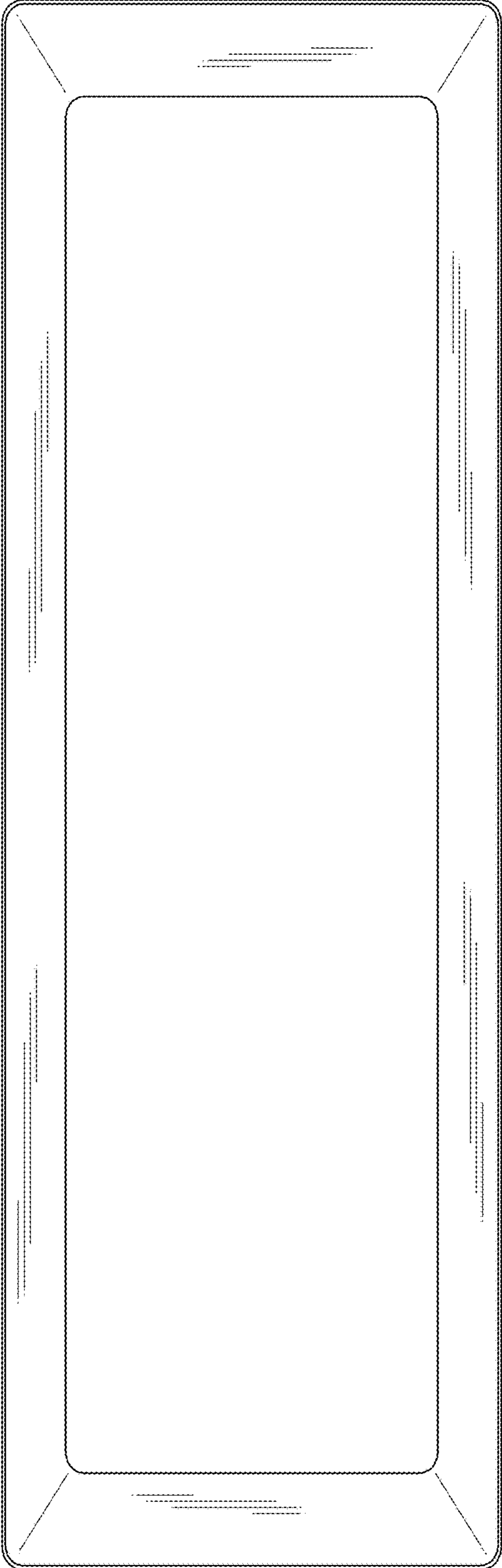


Fig. 5

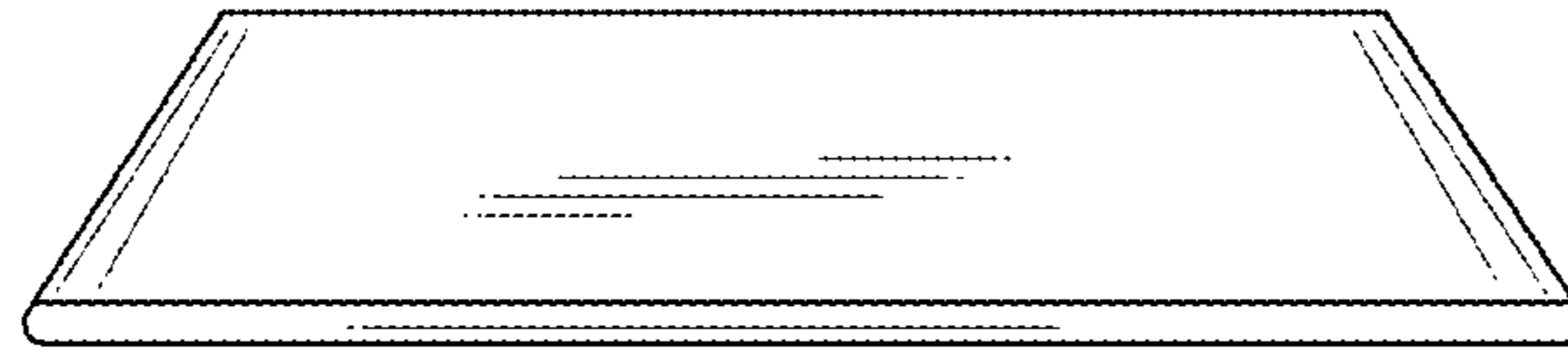


Fig. 4

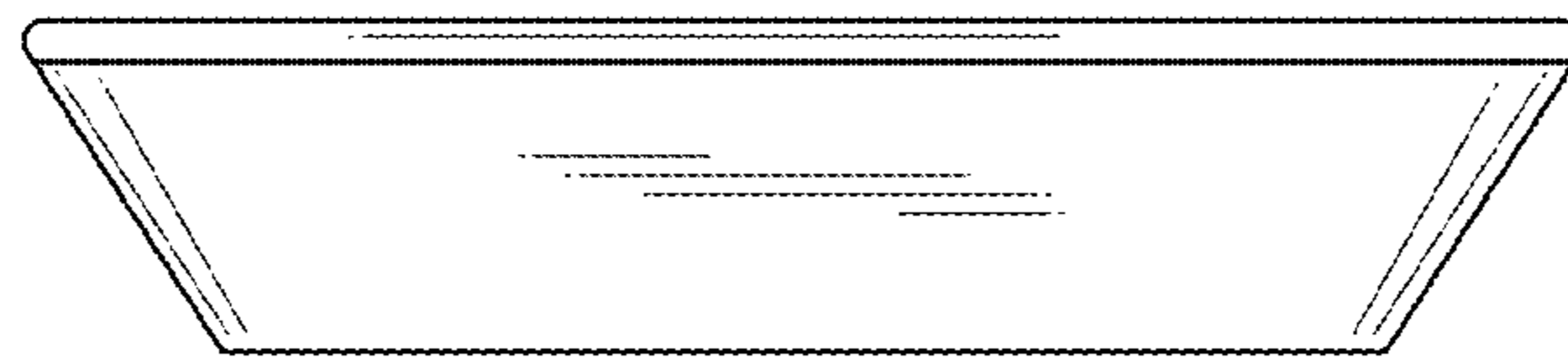


Fig. 6

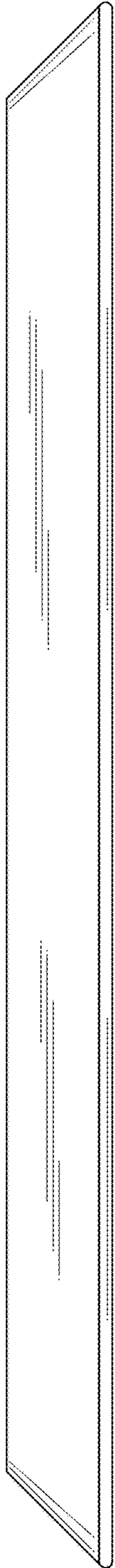
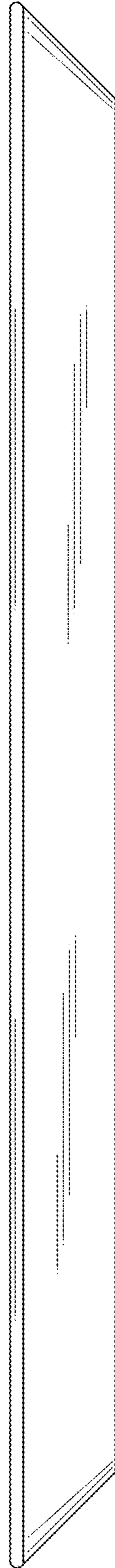


Fig. 7



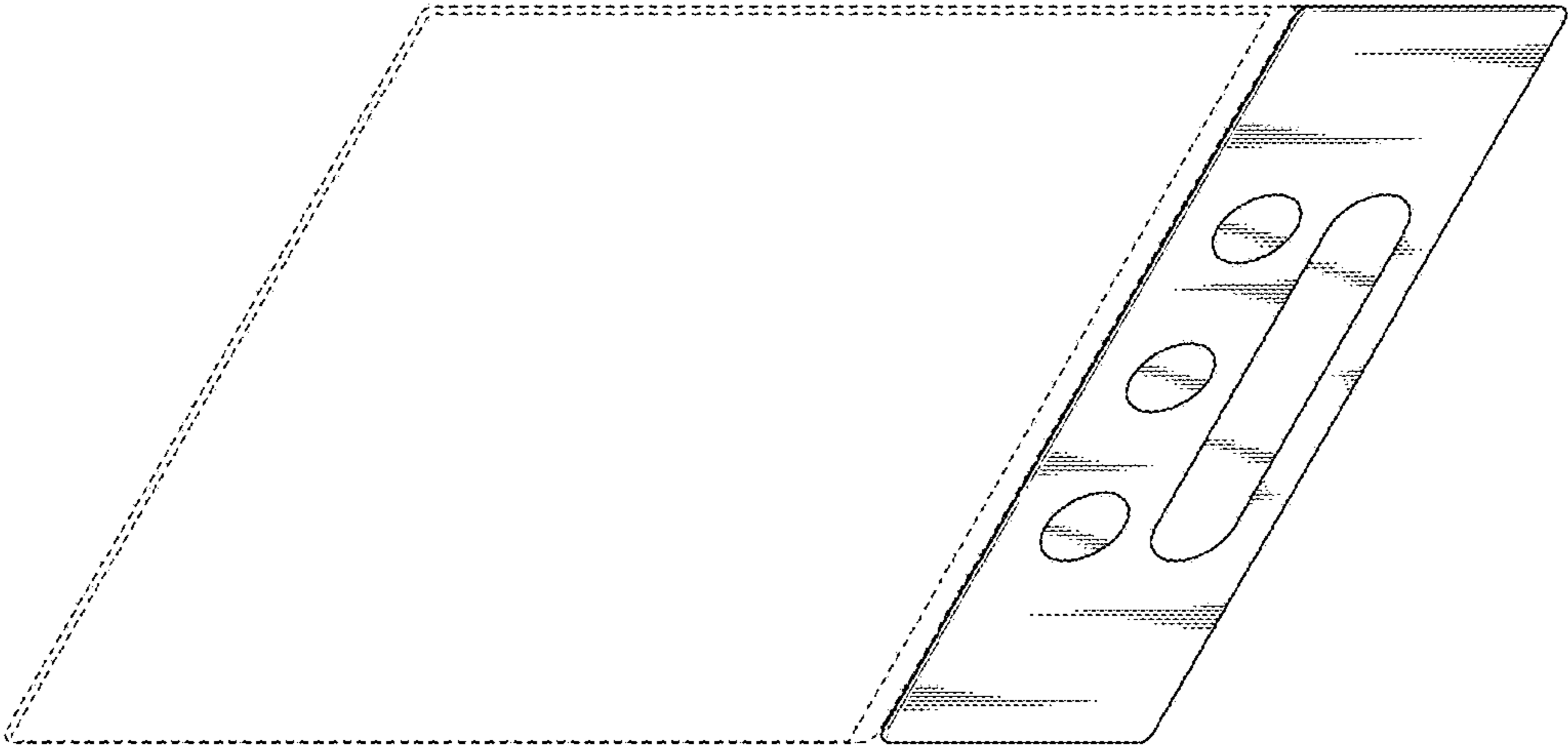


Fig. 8