



US00D825491S

(12) **United States Design Patent**
Diep et al.

(10) **Patent No.:** **US D825,491 S**

(45) **Date of Patent:** **** Aug. 14, 2018**

- (54) **LIGHTING CONTROLLER**
- (71) Applicant: **J&J Electronics, Inc.**, Irvine, CA (US)
- (72) Inventors: **Alan V Diep**, Foothill Ranch, CA (US);
Michael P Babb, La Verne, CA (US)
- (73) Assignee: **J & J ELECTRONICS, LLC**, Irvine, CA (US)

(**) Term: **15 Years**

(21) Appl. No.: **29/582,286**

(22) Filed: **Oct. 26, 2016**

(51) **LOC (11) Cl.** **13-03**

(52) **U.S. Cl.**
USPC **D13/162**

(58) **Field of Classification Search**
USPC D13/162, 164, 168, 184
CPC H05K 5/0017; H01H 9/02; H01H 9/0214;
H01H 9/0242; H01H 9/18; H01H 9/181;
H01H 9/182; F21S 8/03; F21S 8/033;
H05B 33/0845; H05B 33/0863; H05B
37/02; H05B 37/0272; H05B 39/085;
H05B 39/088; G08C 17/00; G08C 17/02;
G08C 19/28; G08C 23/02; G08C 23/04
See application file for complete search history.

(56) **References Cited**

U.S. PATENT DOCUMENTS

- 5,982,103 A * 11/1999 Mosebrook H01Q 1/007
315/149
- D489,337 S * 5/2004 Murray D13/162
- 7,274,117 B1 * 9/2007 Viola H01B 1/24
307/112
- D603,345 S * 11/2009 Melzner D13/162
- D604,254 S * 11/2009 Lanfear D13/162
- 7,791,595 B2 * 9/2010 Altonen H05B 39/085
315/291
- D669,036 S * 10/2012 Apruzzese D13/164

- 8,364,319 B2 * 1/2013 Roosli H05K 5/0017
318/280
- D689,441 S * 9/2013 Kah, Jr. D13/162
- D722,981 S * 2/2015 Livschitz D13/162
- D724,036 S * 3/2015 Cha D13/162
- 9,198,259 B2 * 11/2015 Hoang H05B 37/02
- 9,386,666 B2 * 7/2016 Economy H05B 37/0272
- 9,742,580 B2 * 8/2017 Camden H04L 12/2816
- 2005/0049730 A1 * 3/2005 Adamson G05B 15/02
700/83

(Continued)

Primary Examiner — Selina Sikder

(74) *Attorney, Agent, or Firm* — Gardner Groff
Greenwald & Villanueva, PC

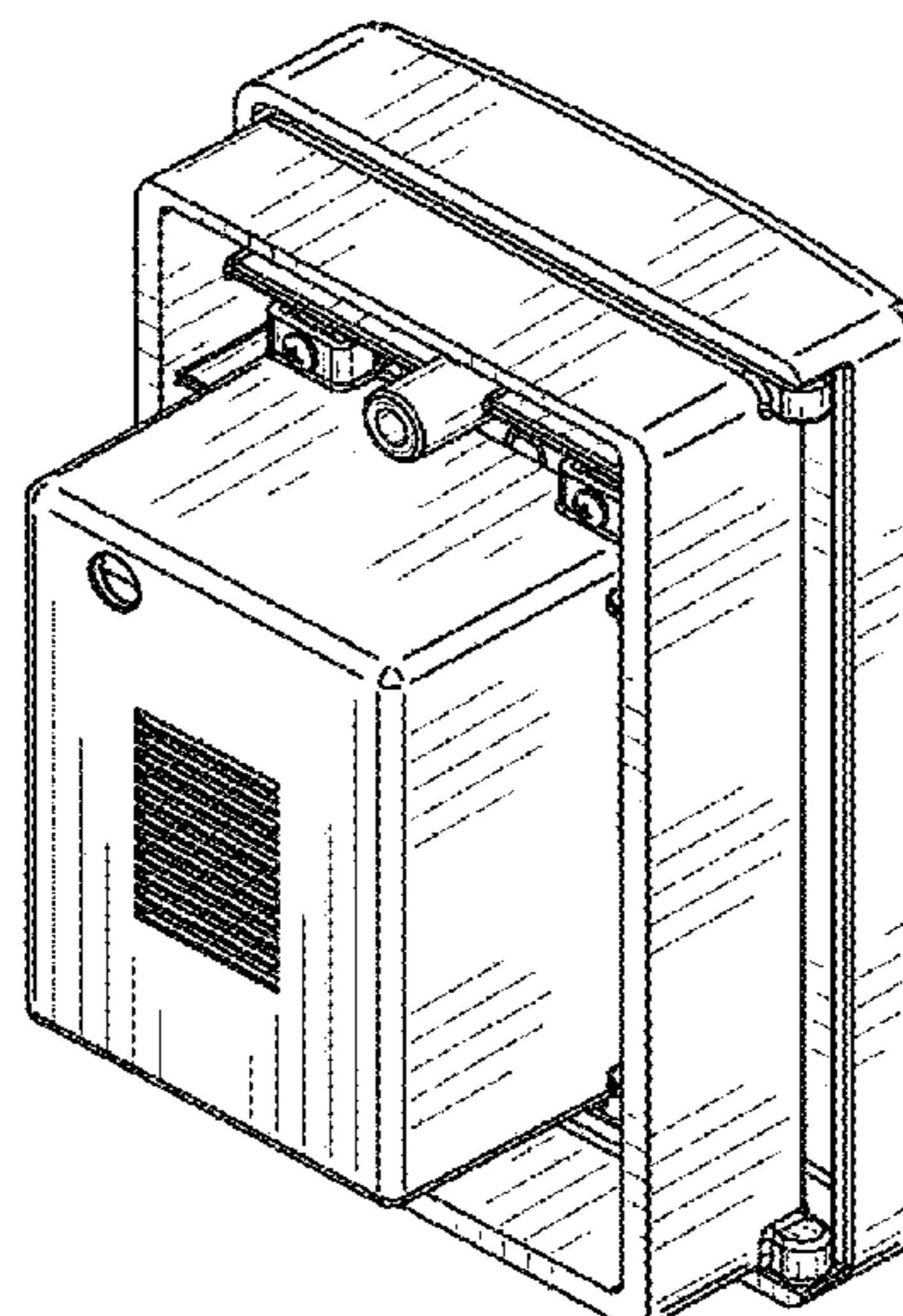
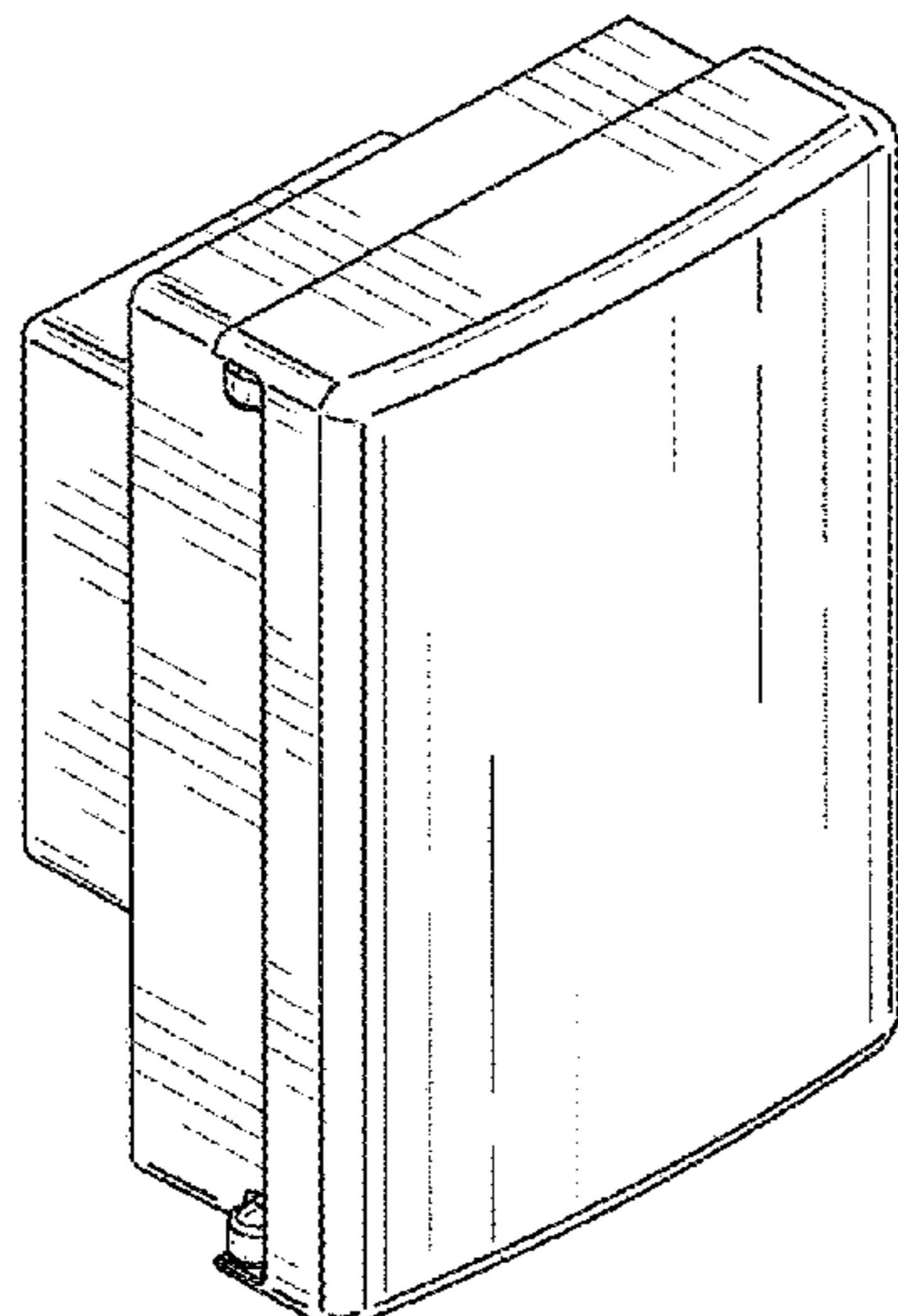
(57) **CLAIM**

The ornamental design for a lighting controller, as shown and described.

DESCRIPTION

FIG. 1 is a front view of an embodiment of a lighting controller in a closed configuration.
 FIG. 2 is a front view of the embodiment of FIG. 1 in an open configuration;
 FIG. 3 is a rear view of the embodiment of FIG. 1 in a closed configuration;
 FIG. 4 is a front perspective view of the embodiment of FIG. 1 in a closed configuration;
 FIG. 5 is a rear perspective view of the embodiment of FIG. 1 in a closed configuration;
 FIG. 6 is a right side view of the embodiment of FIG. 1 in a closed configuration;
 FIG. 7 is a left side view of the embodiment of FIG. 1 in a closed configuration;
 FIG. 8 is a top view of the embodiment of FIG. 1 in a closed configuration; and,
 FIG. 9 is a bottom view of the embodiment of FIG. 1 in a closed configuration.
 Portions shown in broken lines are for illustrative purposes only and form no part of the claim design.

1 Claim, 7 Drawing Sheets



(56)

References Cited

U.S. PATENT DOCUMENTS

2013/0026947 A1* 1/2013 Economy H05B 37/0272
315/287
2015/0351195 A1* 12/2015 Sargent F21V 15/01
315/158
2017/0245353 A1* 8/2017 Taipale H05B 37/0272
2017/0251537 A1* 8/2017 Clark H05B 33/0863

* cited by examiner

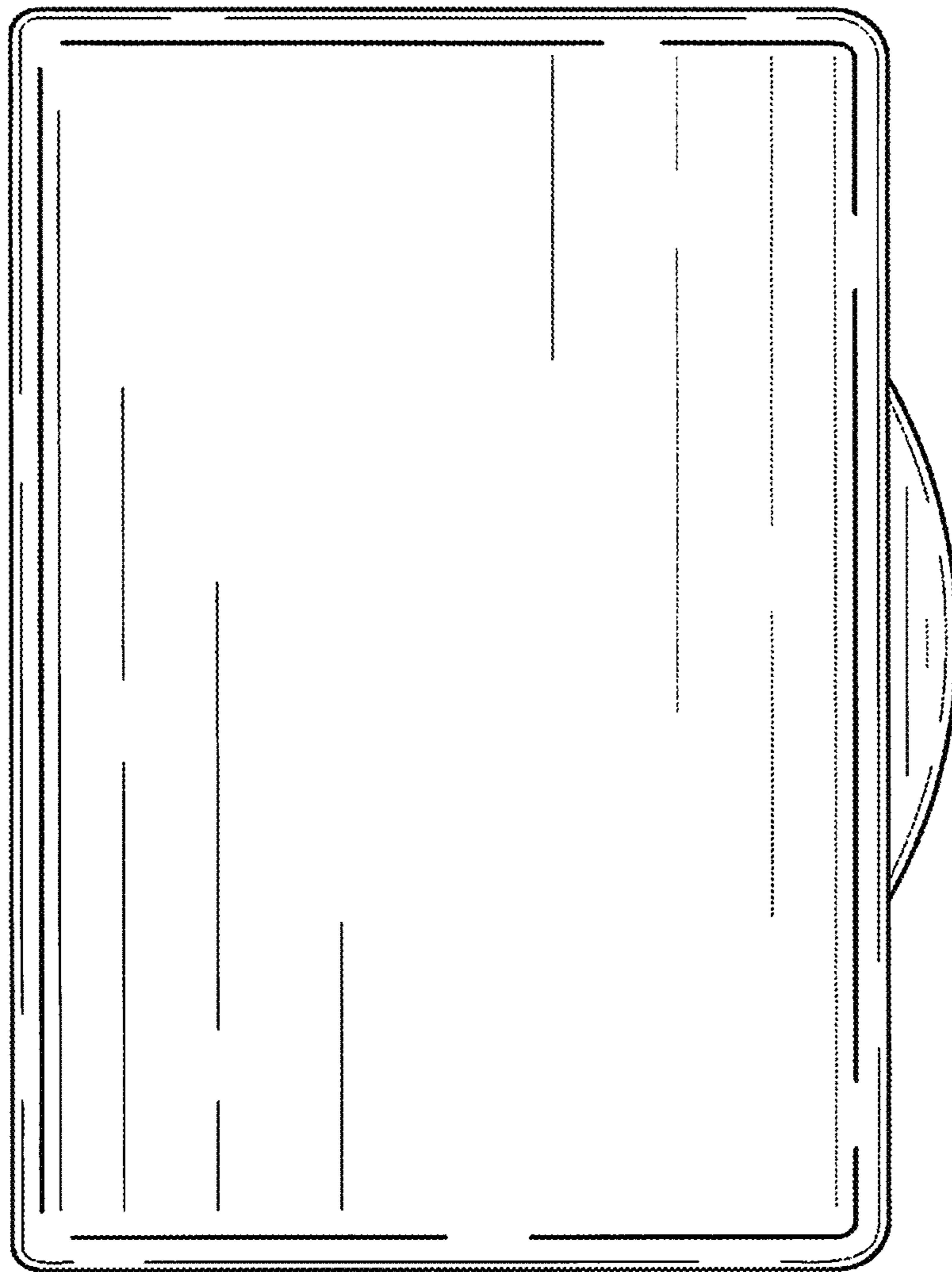


FIG. 1

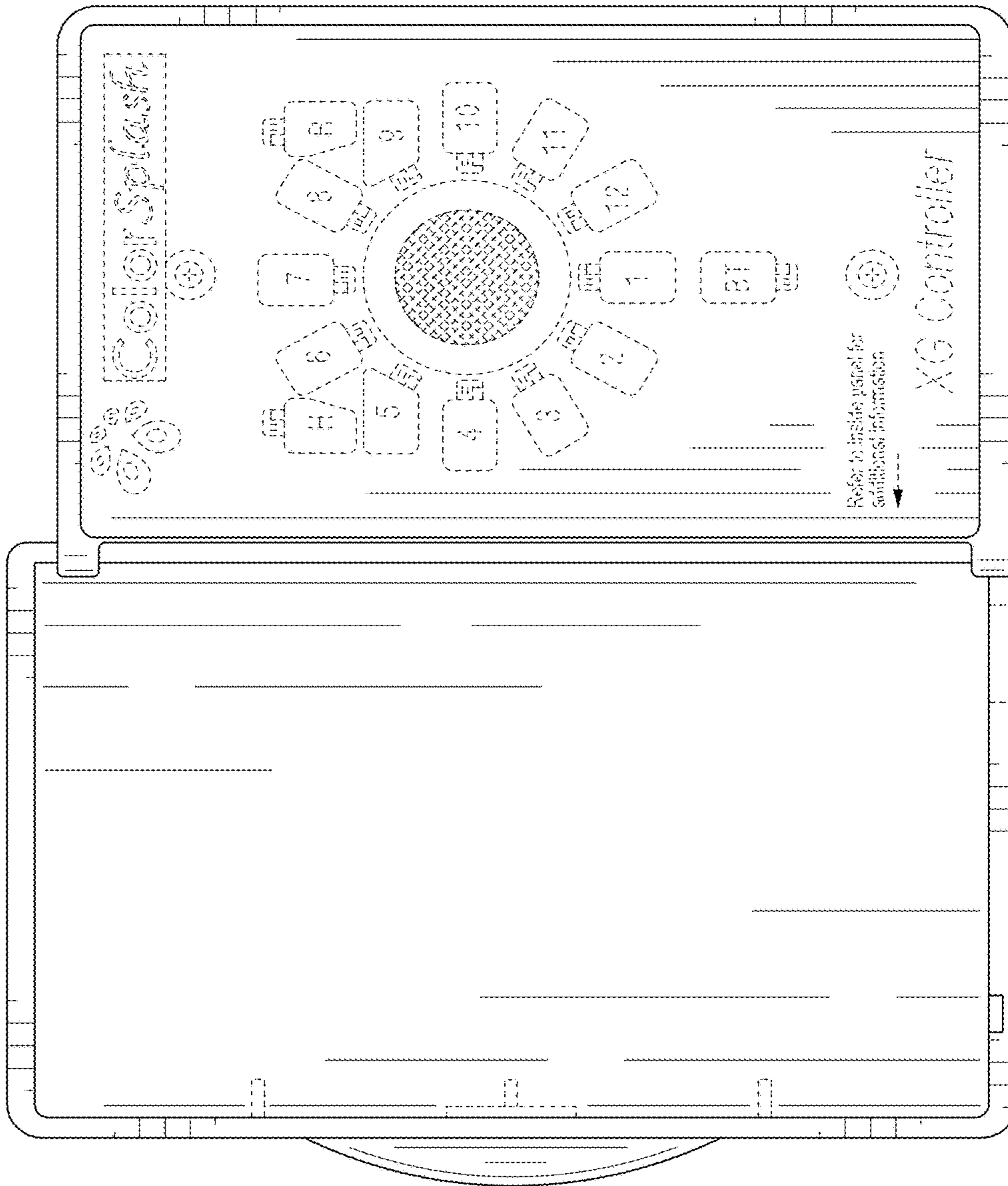


FIG. 2

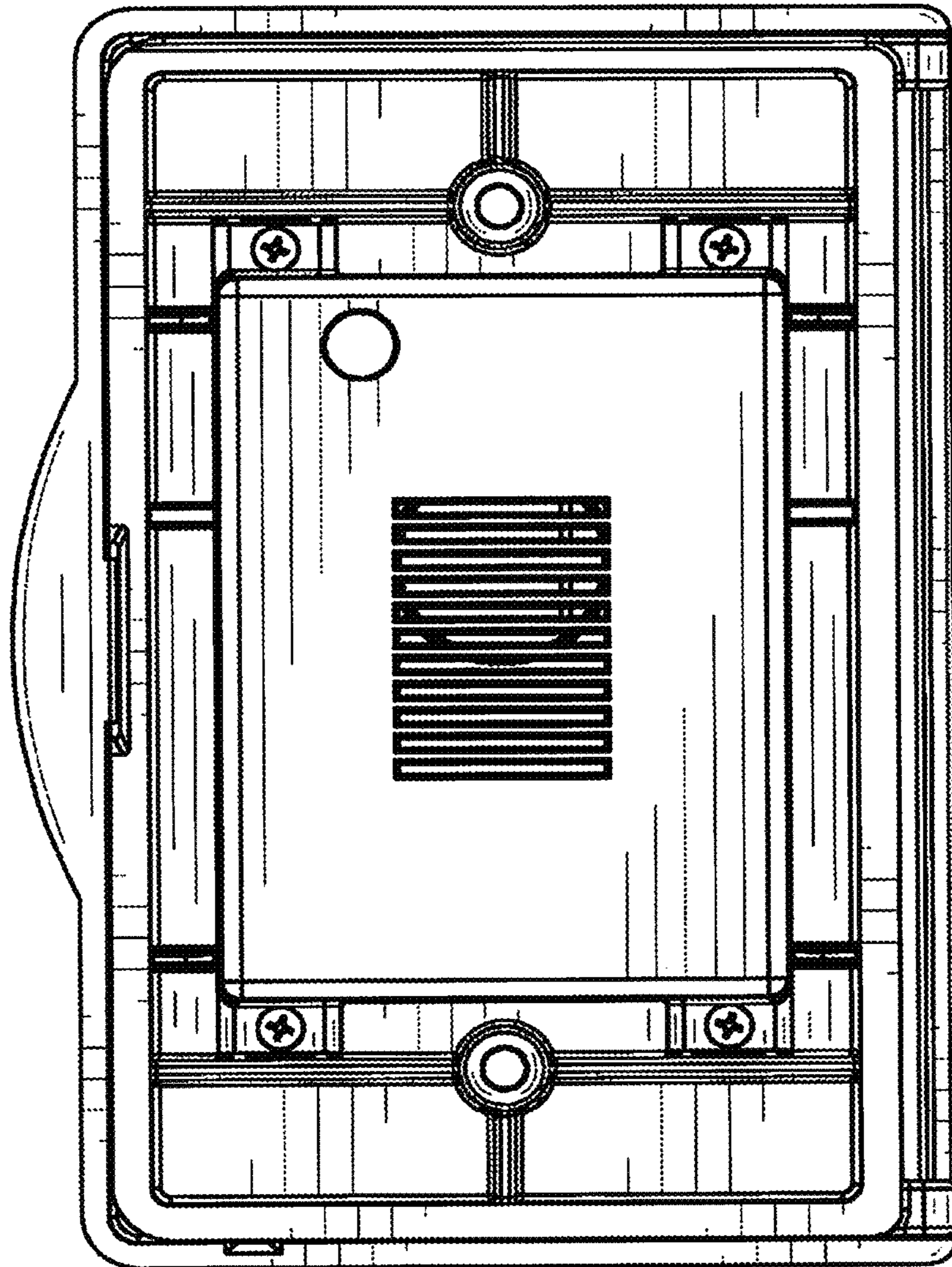


FIG. 3

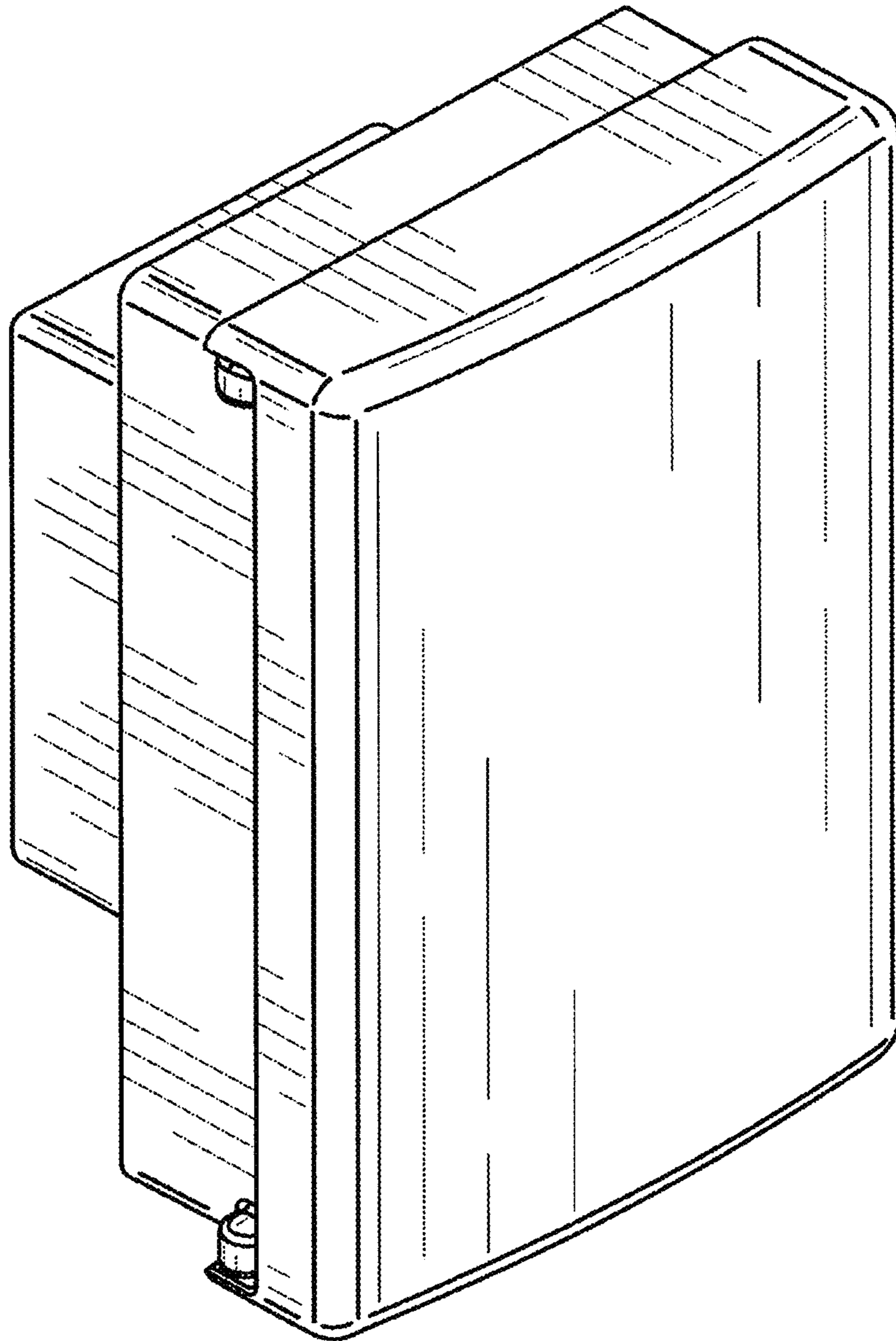


FIG. 4

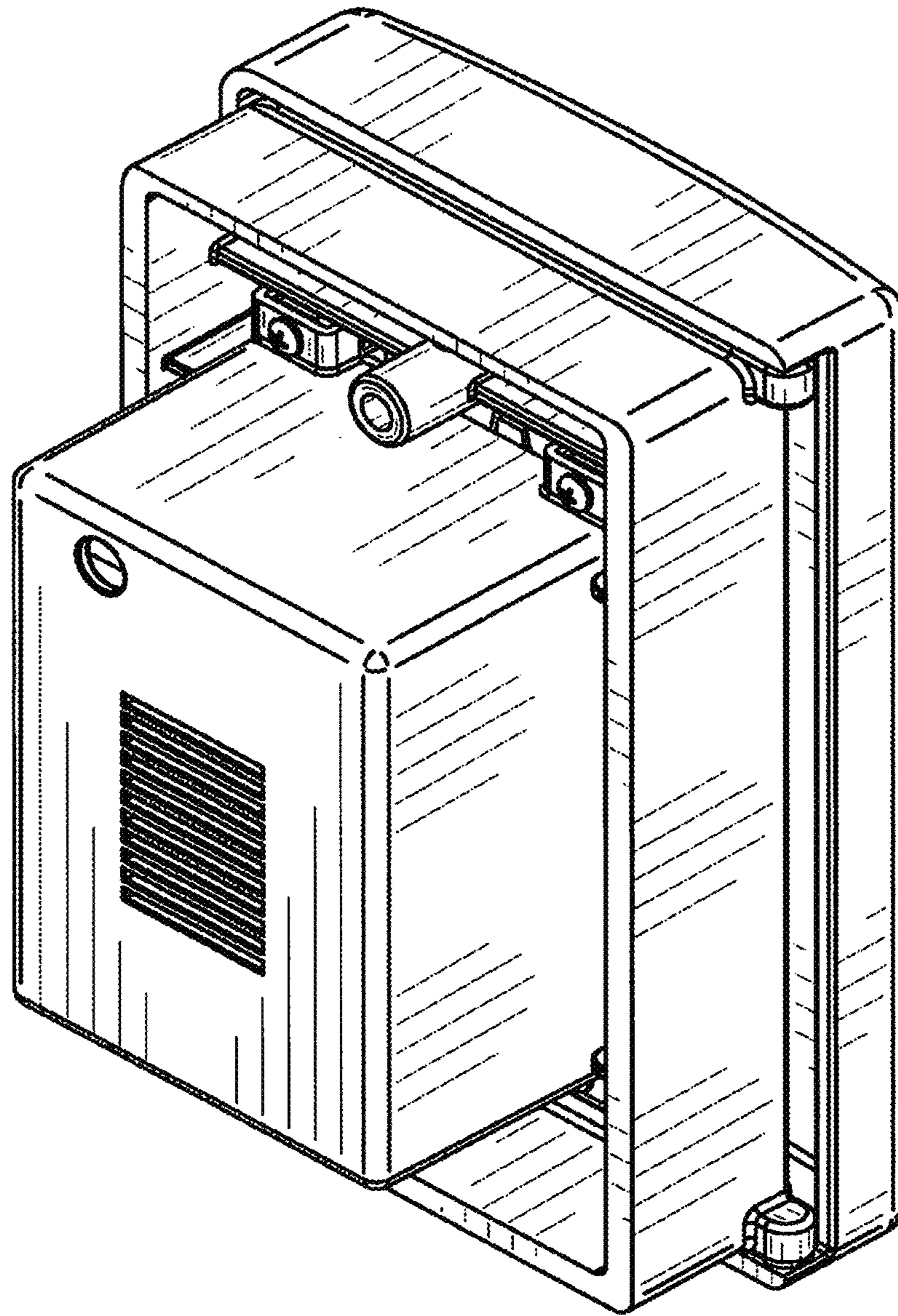


FIG. 5

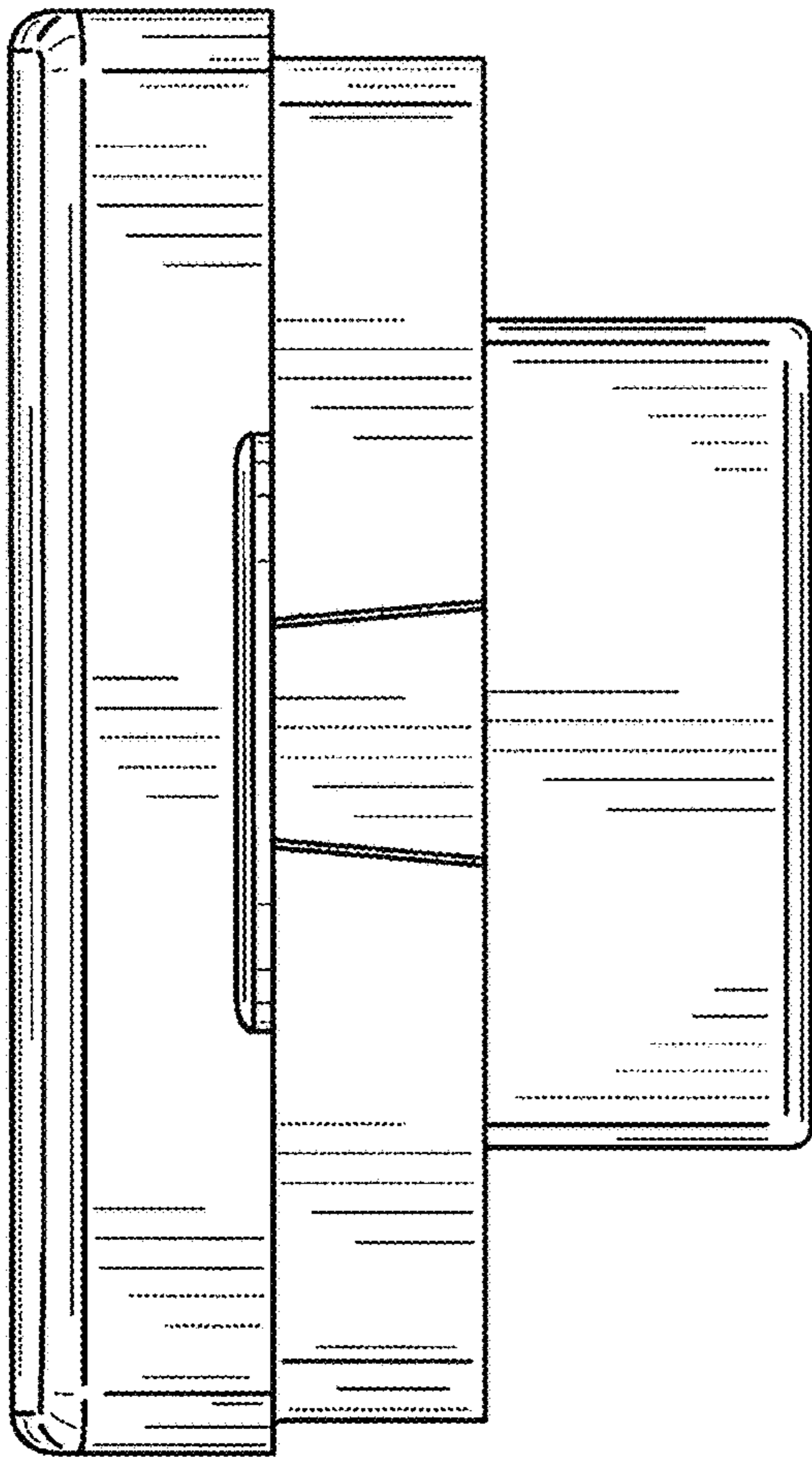


FIG. 6

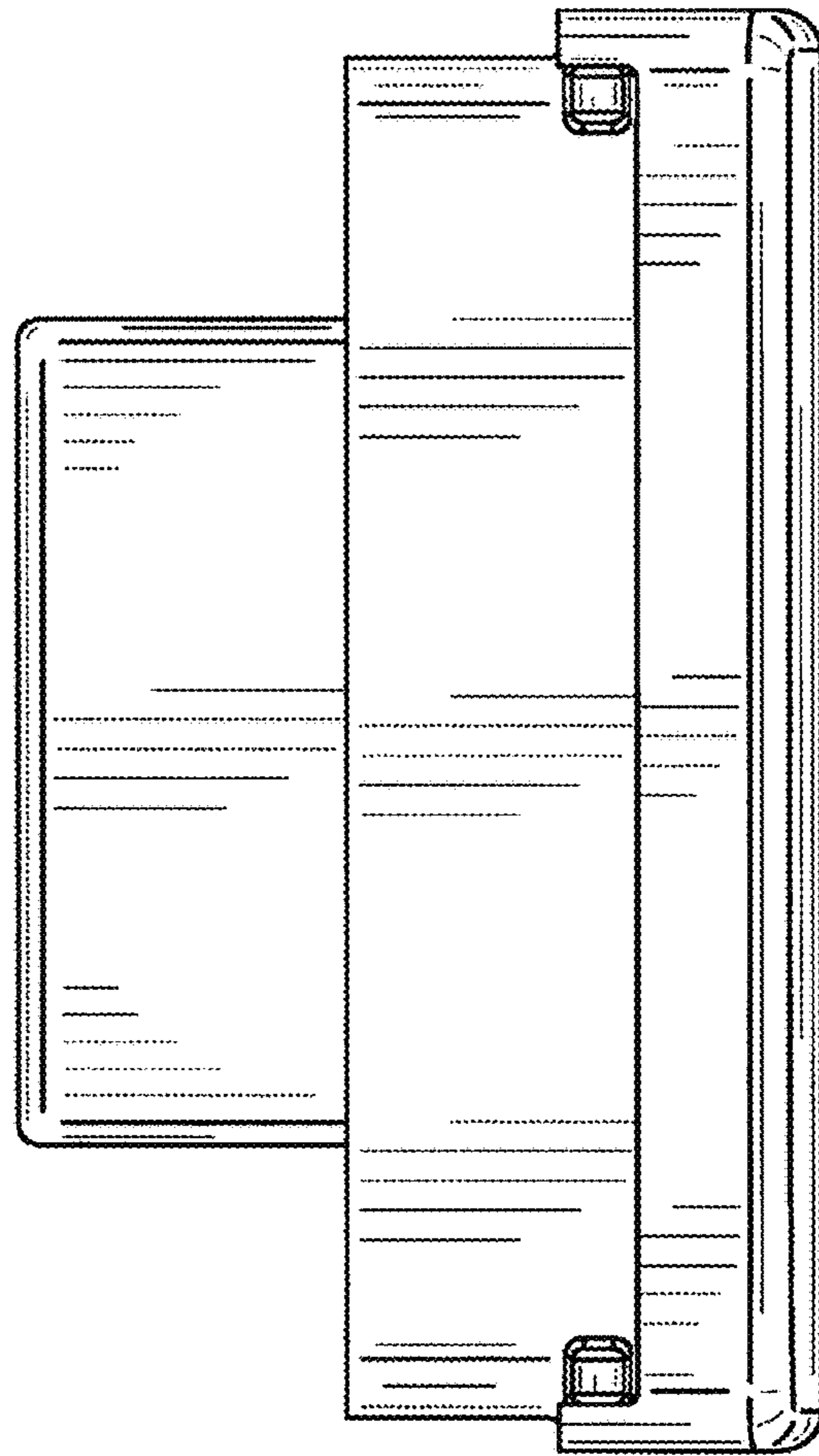


FIG. 7

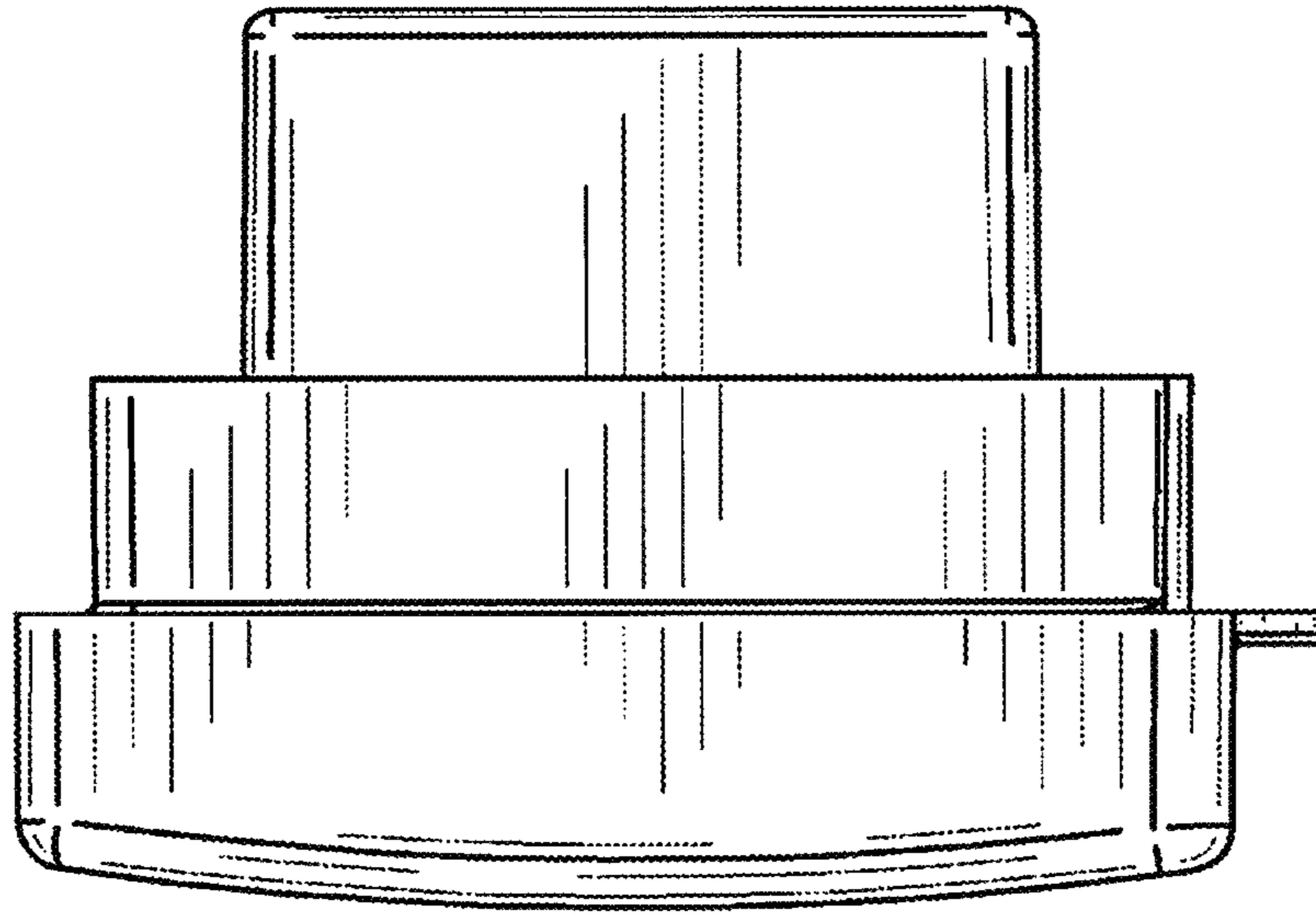


FIG. 8

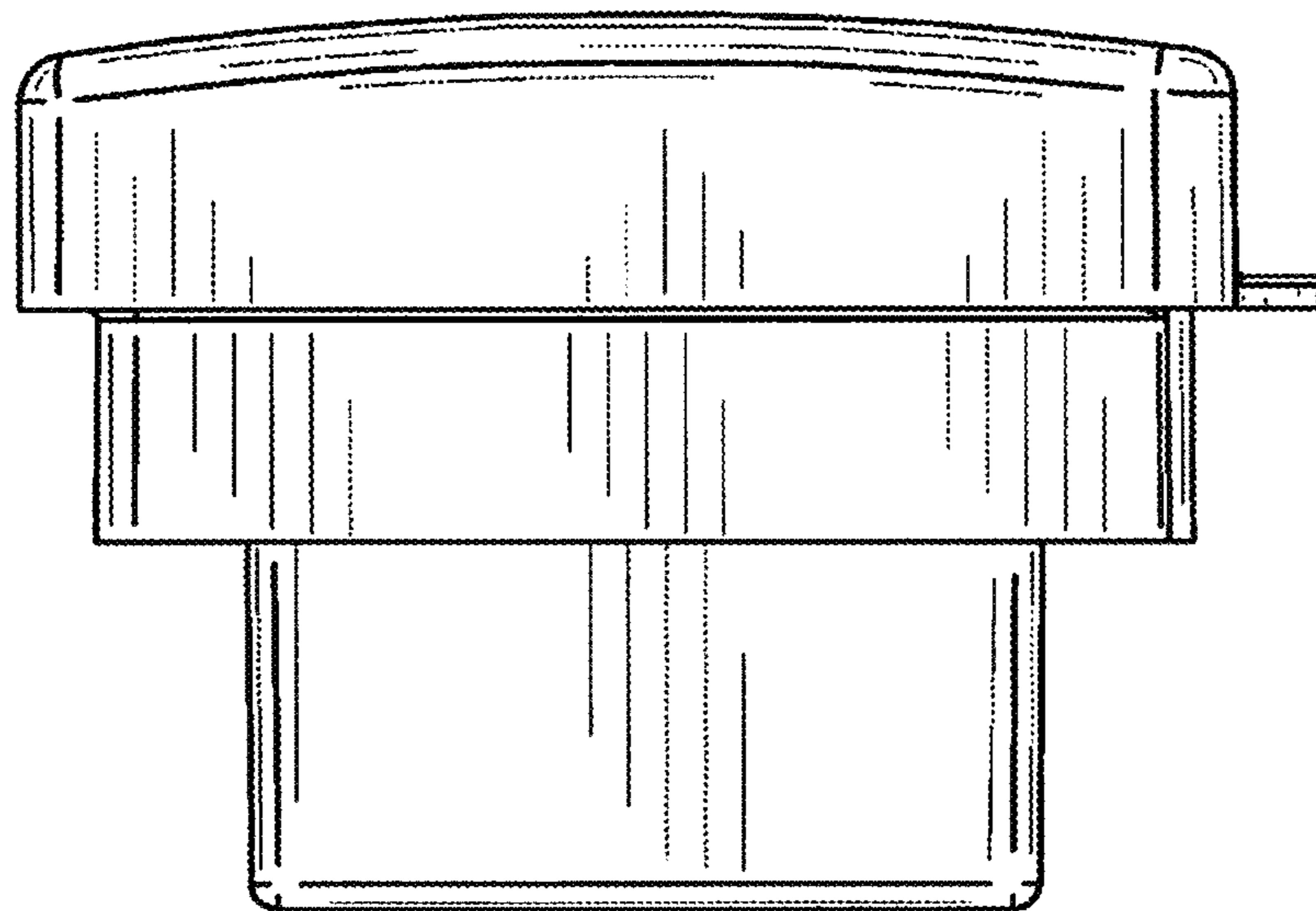


FIG. 9