



US00D825490S

(12) **United States Design Patent** (10) **Patent No.:** **US D825,490 S**
Xu et al. (45) **Date of Patent:** **** Aug. 14, 2018**

(54) **SWITCH**

(71) Applicant: **SHENZHEN ROYOLE TECHNOLOGIES CO. LTD.**,
Shenzhen (CN)

(72) Inventors: **Rui Xu**, Shenzhen (CN); **Xinyuan Xia**,
Shenzhen (CN); **Chao Jiang**, Shenzhen
(CN); **Dan Ni**, Shenzhen (CN);
Zhanchao Liu, Shenzhen (CN)

(73) Assignee: **SHENZHEN ROYOLE TECHNOLOGIES CO., LTD.**,
Shenzhen (CN)

(**) Term: **15 Years**

(21) Appl. No.: **29/568,164**

(22) Filed: **Jun. 15, 2016**

(30) **Foreign Application Priority Data**

Dec. 16, 2015 (CN) 2015 3 0536442

(51) **LOC (11) Cl.** **13-03**

(52) **U.S. Cl.**
USPC **D13/162**

(58) **Field of Classification Search**

USPC D13/158, 162, 177; D14/126
CPC .. H01H 3/12; H01H 9/02; H01H 9/16; H01H
9/18; H01H 9/181; H01H 9/182; H01H
13/04; H01H 13/14; H01H 2009/187;
H05B 33/0803; H05B 33/0863; H05B
37/02; H05B 37/0254; H05B 37/0272;
H05B 39/02; H05B 39/04; H05B 39/085;
H05B 39/086; H05B 39/088; G09G
3/2096; G09G 5/006

See application file for complete search history.

(56) **References Cited**

U.S. PATENT DOCUMENTS

D712,367 S * 9/2014 Park D14/126
D730,857 S * 6/2015 Park D14/126
9,123,290 B1 * 9/2015 Cho G06F 1/1652
D740,241 S * 10/2015 Kim D14/126
D742,344 S * 11/2015 Kim D14/126
9,521,770 B2 * 12/2016 Li G09F 9/30
D777,127 S * 1/2017 Kim D14/126
D784,940 S * 4/2017 Lee D14/126
9,625,942 B2 * 4/2017 Cho G06F 1/1652
D812,027 S * 3/2018 Debaigue D14/126
D817,956 S * 5/2018 Jung D14/374
2013/0207946 A1 * 8/2013 Kim G09G 3/3225
345/204
2013/0321740 A1 * 12/2013 An H05K 5/0217
349/58
2014/0118910 A1 * 5/2014 Sung G09F 9/301
361/679.01
2015/0035812 A1 * 2/2015 Shin G09G 3/3688
345/204

(Continued)

Primary Examiner — Selina Sikder

(74) *Attorney, Agent, or Firm* — Hauptman Ham, LLP

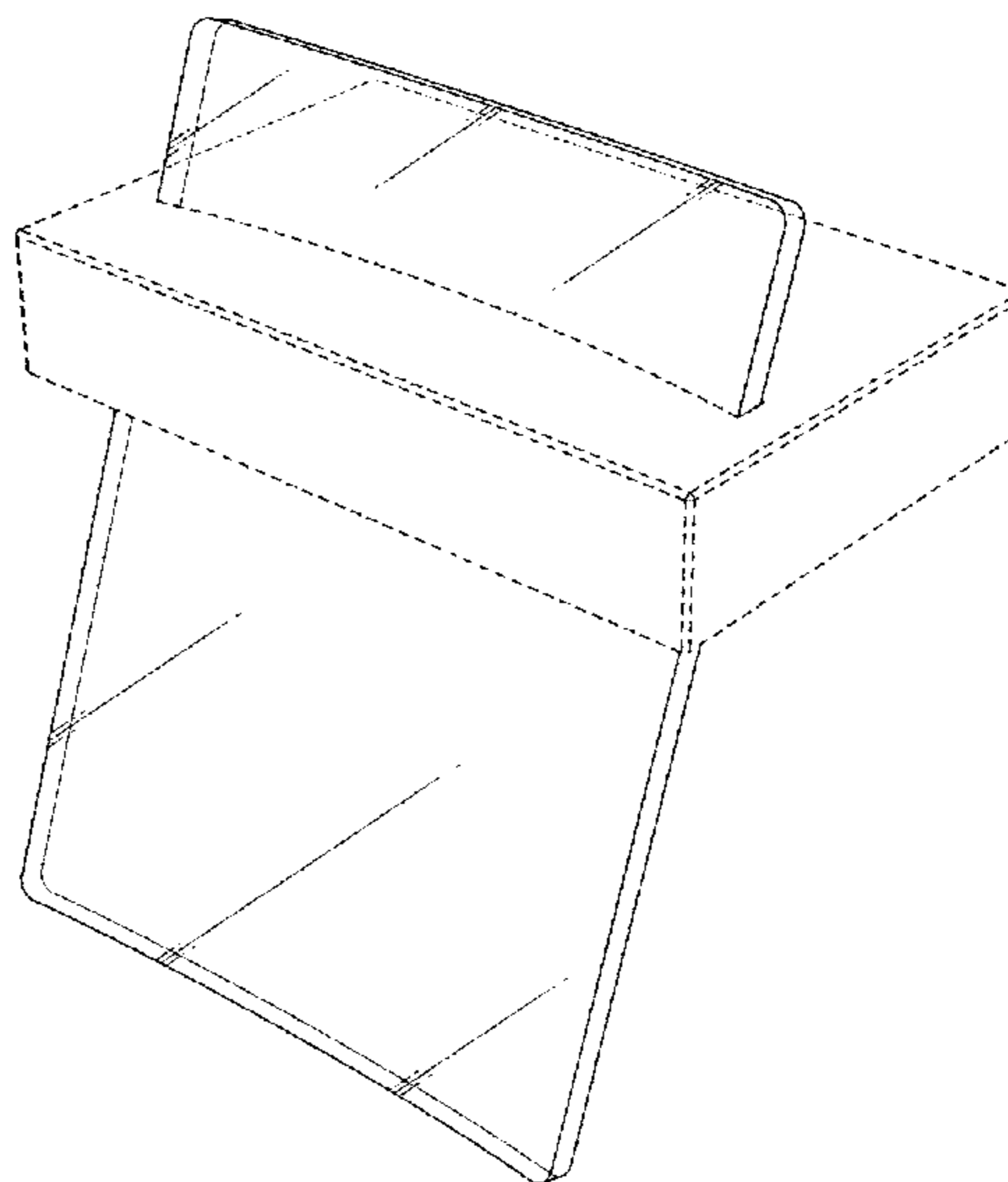
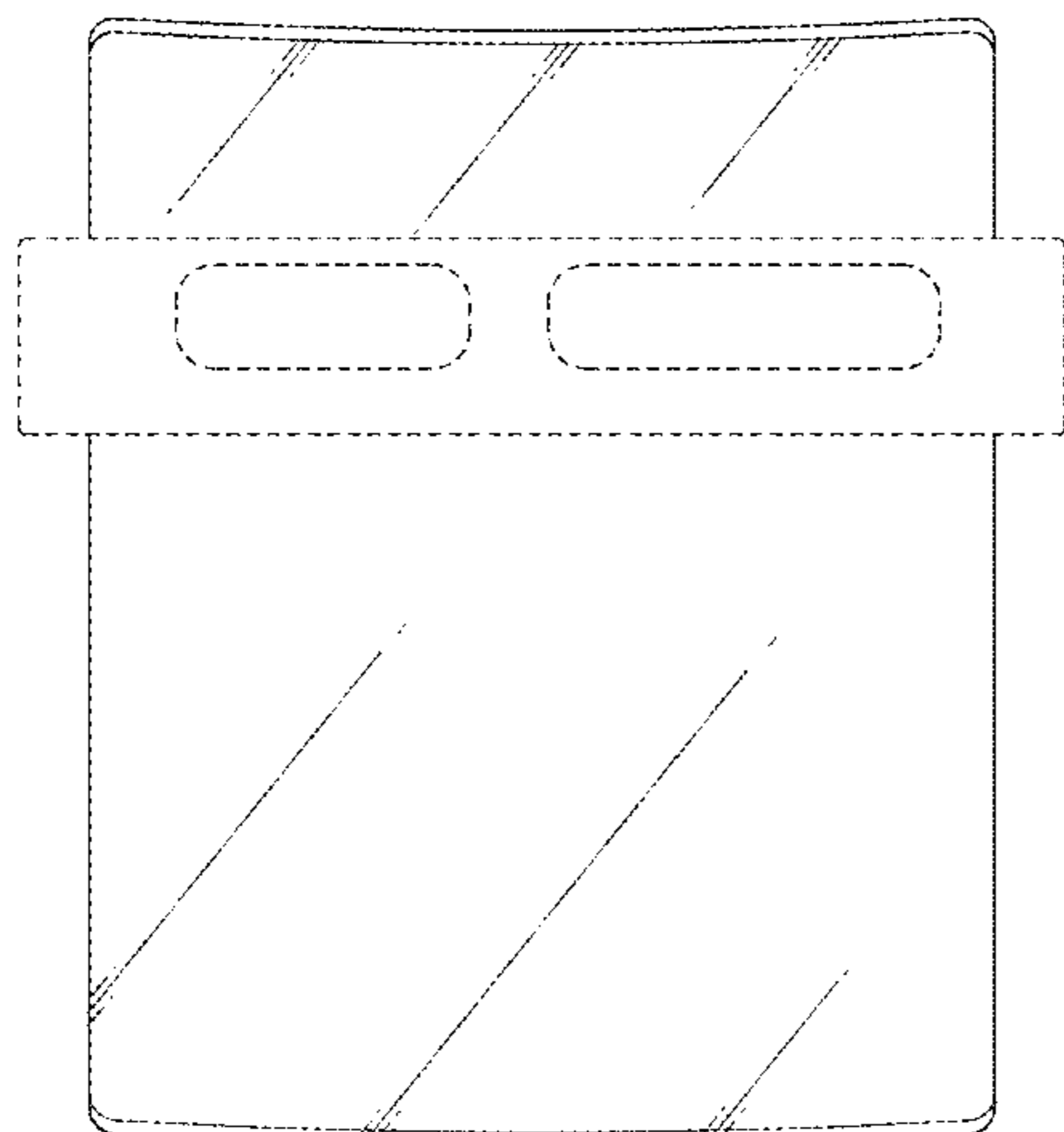
(57) **CLAIM**

The ornamental design for a switch, as shown and described.

DESCRIPTION

FIG. 1 is a front view of the switch showing my new design;
FIG. 2 is a rear view thereof;
FIG. 3 is a left side view thereof;
FIG. 4 is a right side view thereof;
FIG. 5 is a top view thereof;
FIG. 6 is a bottom view thereof; and,
FIG. 7 is a perspective view thereof.
The broken line showing of the environment is for illustrative purposes only forms no part of the claimed design.

1 Claim, 7 Drawing Sheets



(56)

References Cited

U.S. PATENT DOCUMENTS

2015/0192731 A1* 7/2015 Kim G02B 6/0011
362/628
2015/0277131 A1* 10/2015 Park G02B 27/2221
349/58
2016/0183399 A1* 6/2016 Lee G02F 1/133308
361/752
2017/0074452 A1* 3/2017 Lee F16M 11/18
2017/0124937 A1* 5/2017 Kim G09G 3/2096

* cited by examiner

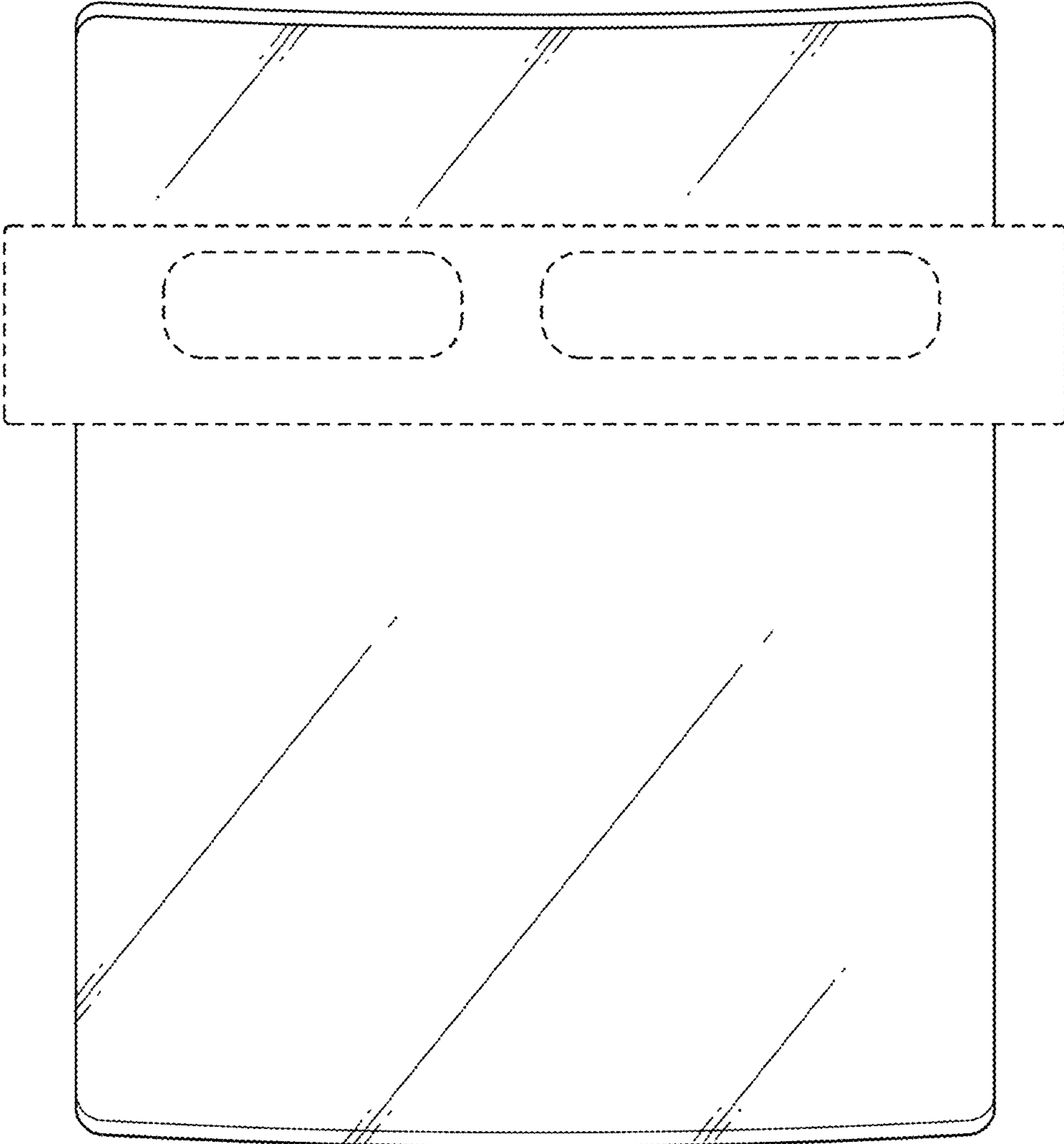


FIG.1

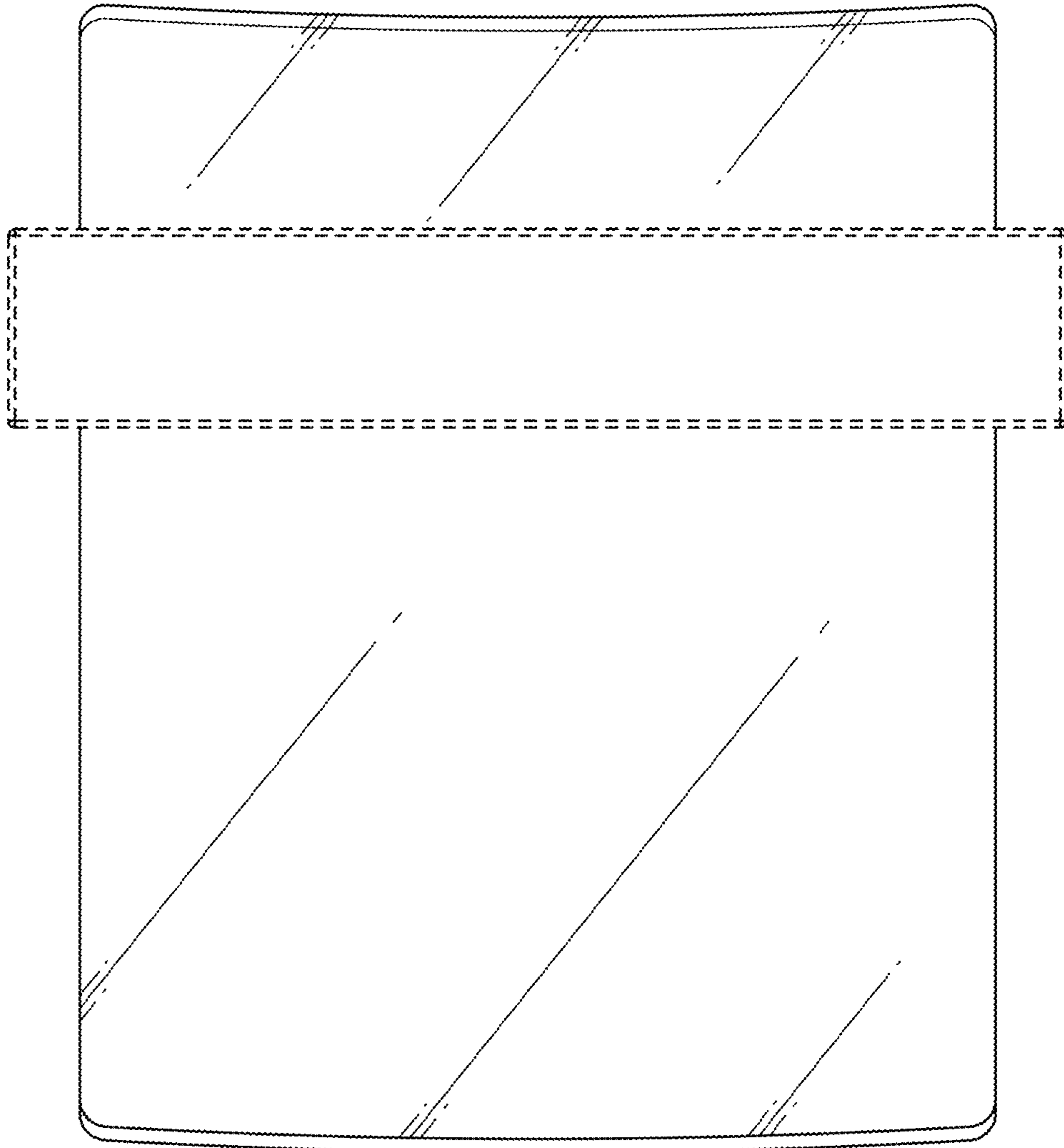


FIG.2

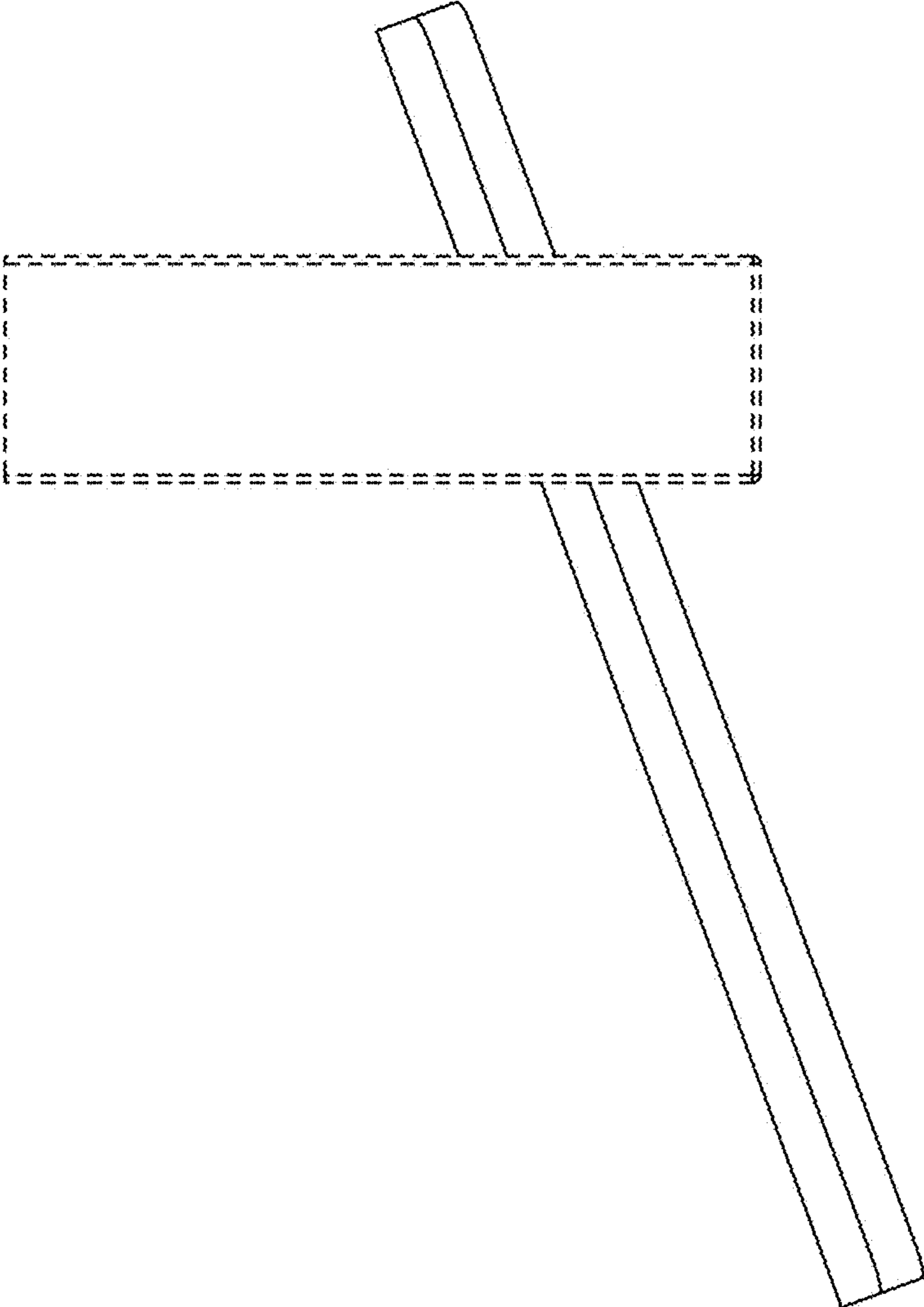


FIG.3

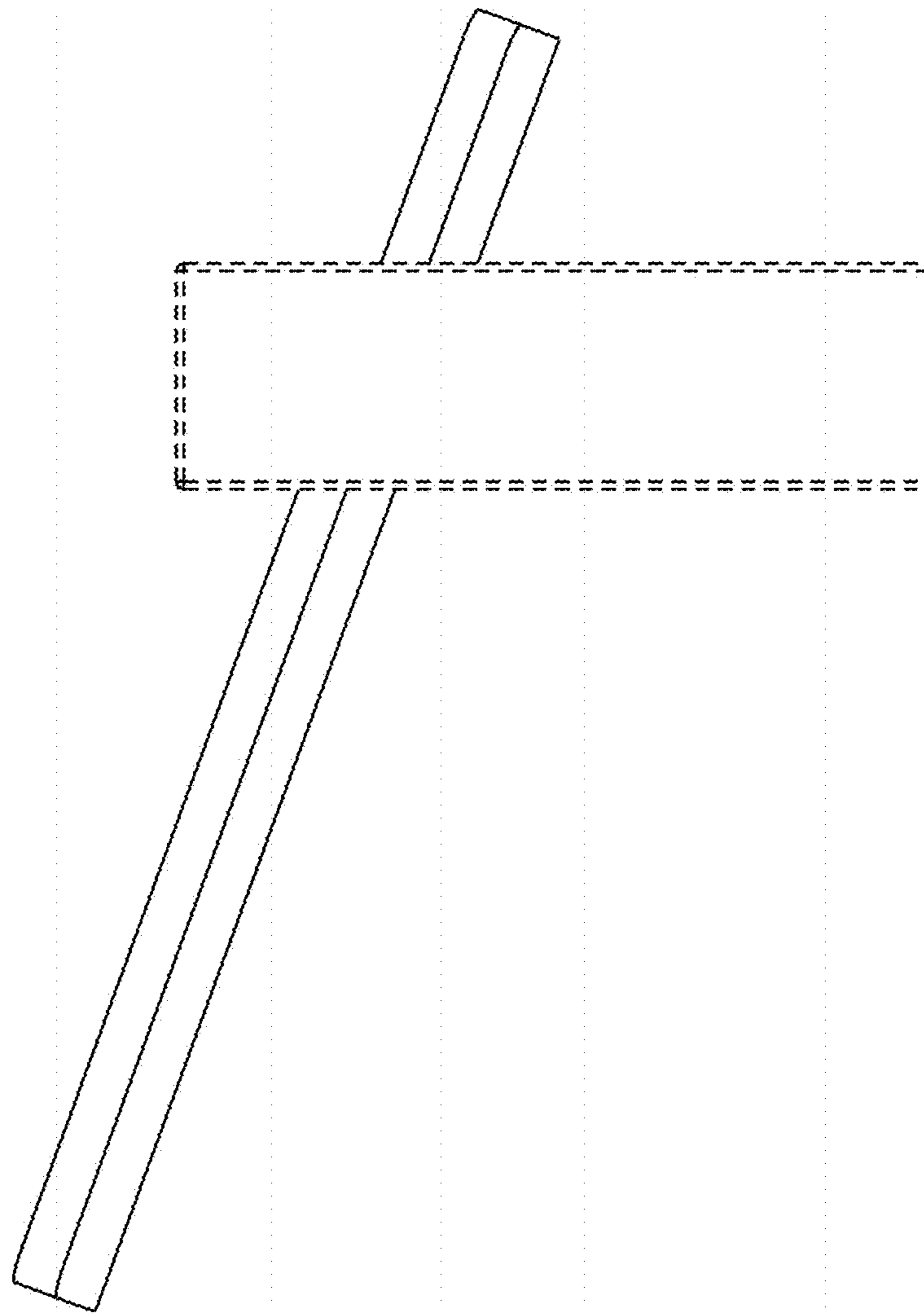


FIG.4

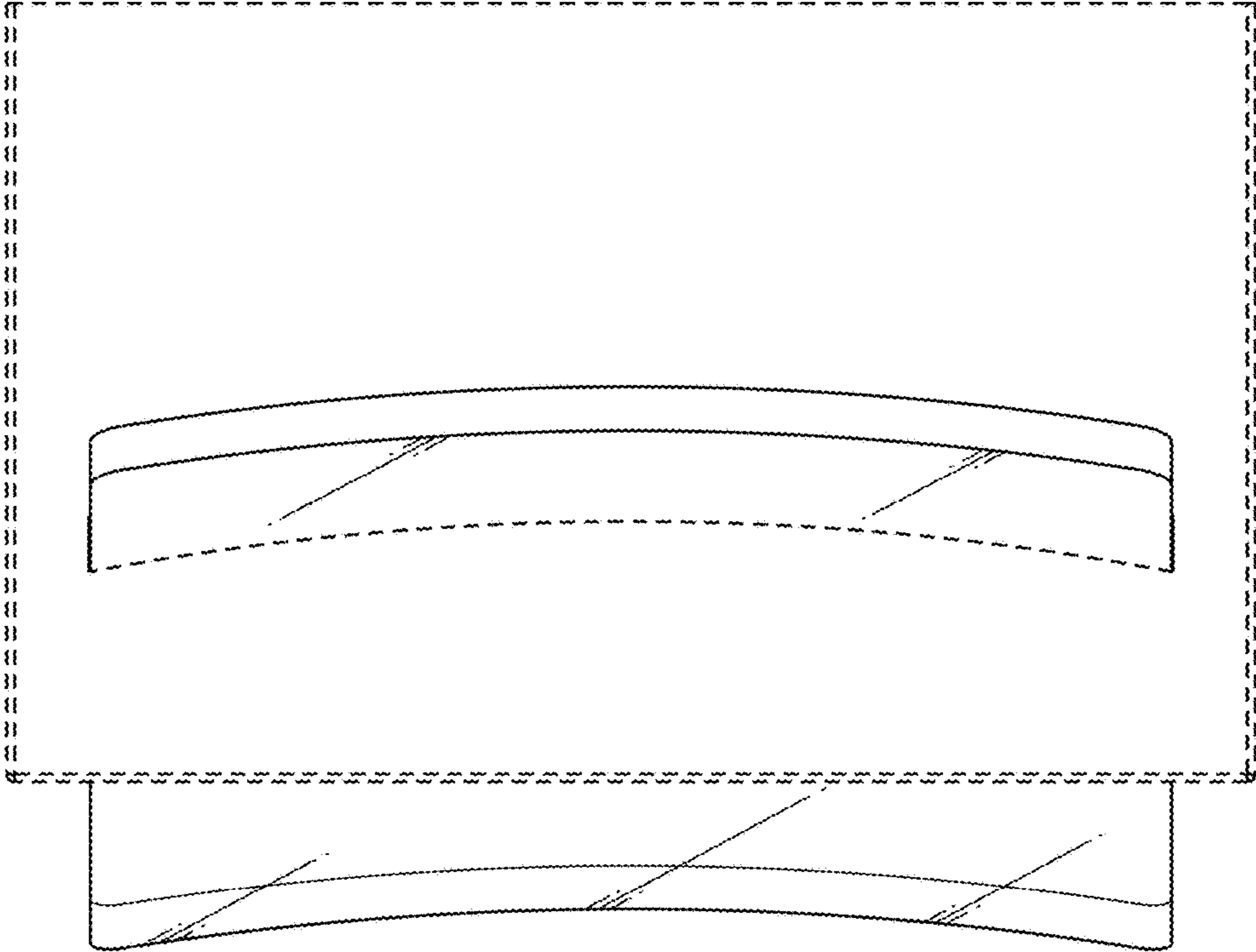


FIG.5

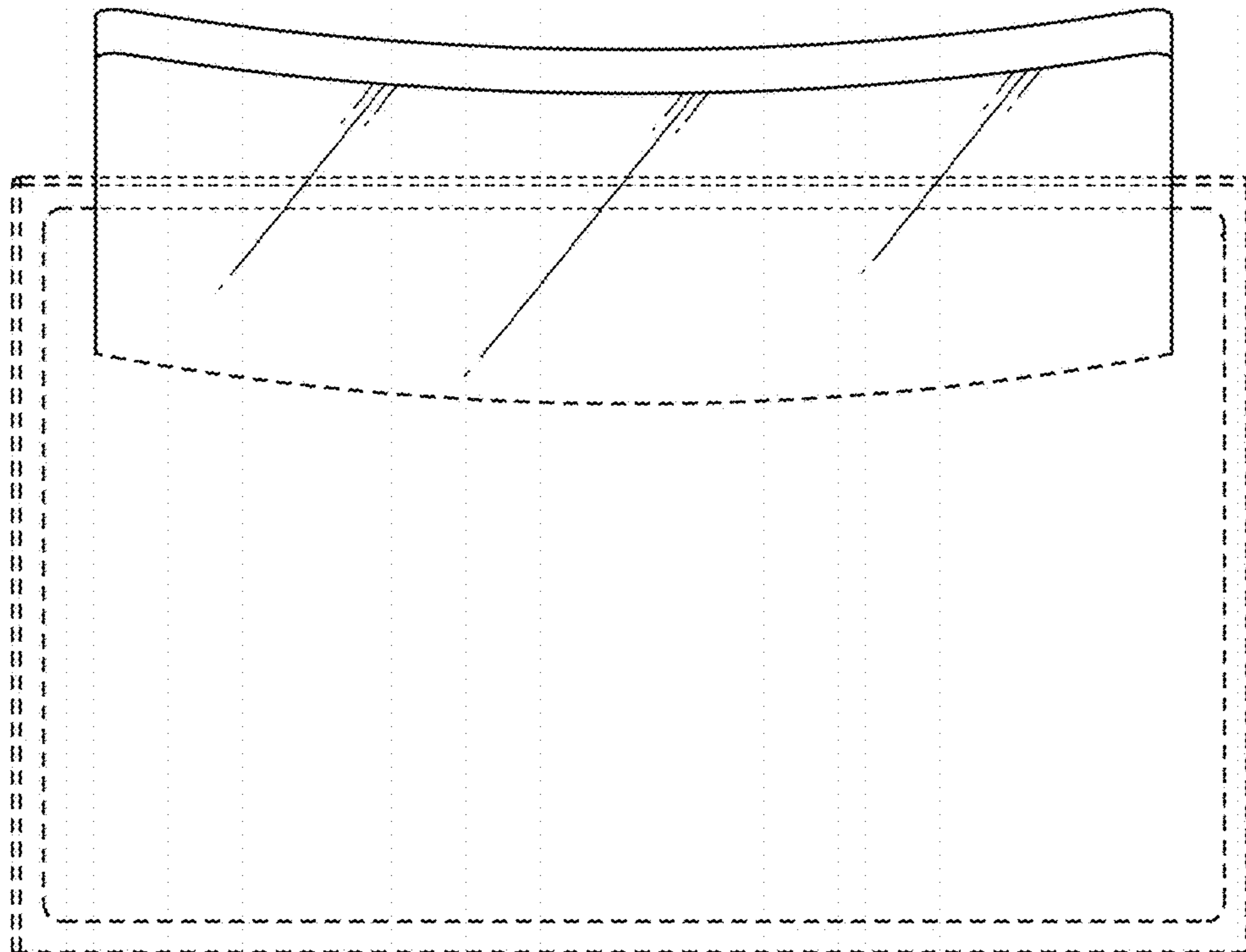


FIG.6

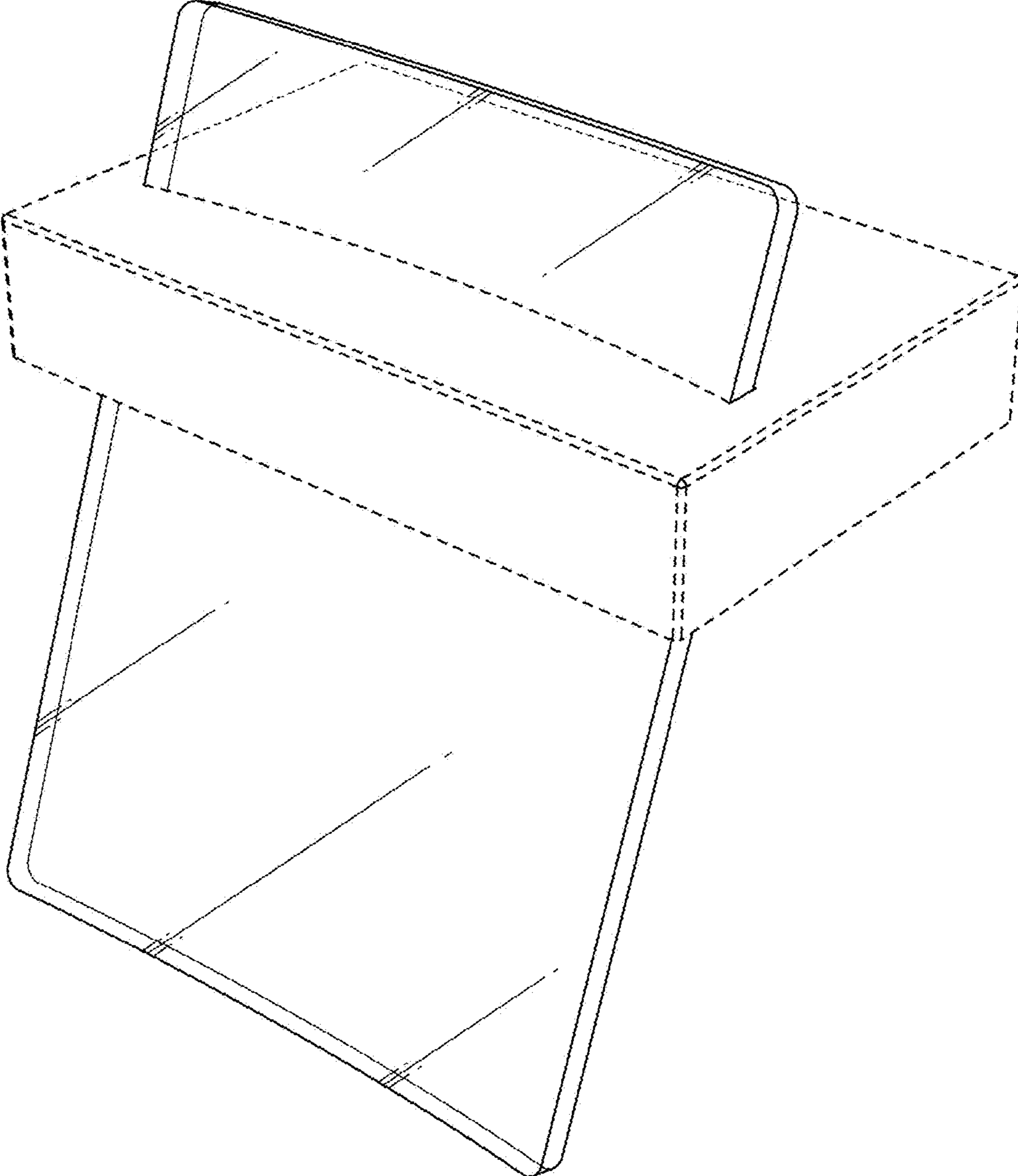


FIG.7