



US00D825488S

(12) **United States Design Patent** (10) **Patent No.:** **US D825,488 S**
Katagiyama et al. (45) **Date of Patent:** **** Aug. 14, 2018**

(54) **CAP FOR OPTICAL CONNECTOR**

(56) **References Cited**

(71) Applicant: **JAPAN AVIATION ELECTRONICS INDUSTRY, LIMITED**, Tokyo (JP)

U.S. PATENT DOCUMENTS

(72) Inventors: **Naoki Katagiyama**, Tokyo (JP); **Yuichi Koreeda**, Tokyo (JP)

5,984,243	A	*	11/1999	Pfaller	F16L 3/1066
						248/74.1
D611,513	S	*	3/2010	Coburn	D15/140
D613,246	S	*	4/2010	Muecke	D13/133
8,873,921	B2	*	10/2014	Lee	G02B 6/3849
						385/134
D747,634	S	*	1/2016	Katagiyama	D8/14
D764,249	S	*	8/2016	Deveci	D8/72

(73) Assignee: **Japan Aviation Electronics Industry, Limited**, Tokyo (JP)

(**) Term: **15 Years**

FOREIGN PATENT DOCUMENTS

(21) Appl. No.: **29/590,526**

JP	1237533	S	4/2005
JP	1279716	S	8/2006

(22) Filed: **Jan. 11, 2017**

* cited by examiner

Related U.S. Application Data

(62) Division of application No. 29/504,623, filed on Oct. 8, 2014, now Pat. No. Des. 782,982.

Primary Examiner — Derrick Holland

(74) *Attorney, Agent, or Firm* — Cermak Nakajima & McGowan LLP; Tomoko Nakajima

(30) **Foreign Application Priority Data**

Jun. 17, 2014 (JP) 2014-013015

(51) **LOC (11) Cl.** **13-03**

(52) **U.S. Cl.**
USPC **D13/156**

(58) **Field of Classification Search**
USPC D13/101, 120, 121, 122, 133, 146, 154,
D13/156, 158, 160, 173, 178, 184, 199;
D8/72, 79, 80, 382, 394, 499
CPC H01R 13/00; H01R 13/52; H01R 13/63;
H01R 13/424; H01R 13/436; H01R
43/22; G02B 6/3807; G02B 6/3831;
G02B 6/3846; G02B 6/3866; G02B 6/38;
G02B 6/42; H02G 3/04; H02G 3/14

See application file for complete search history.

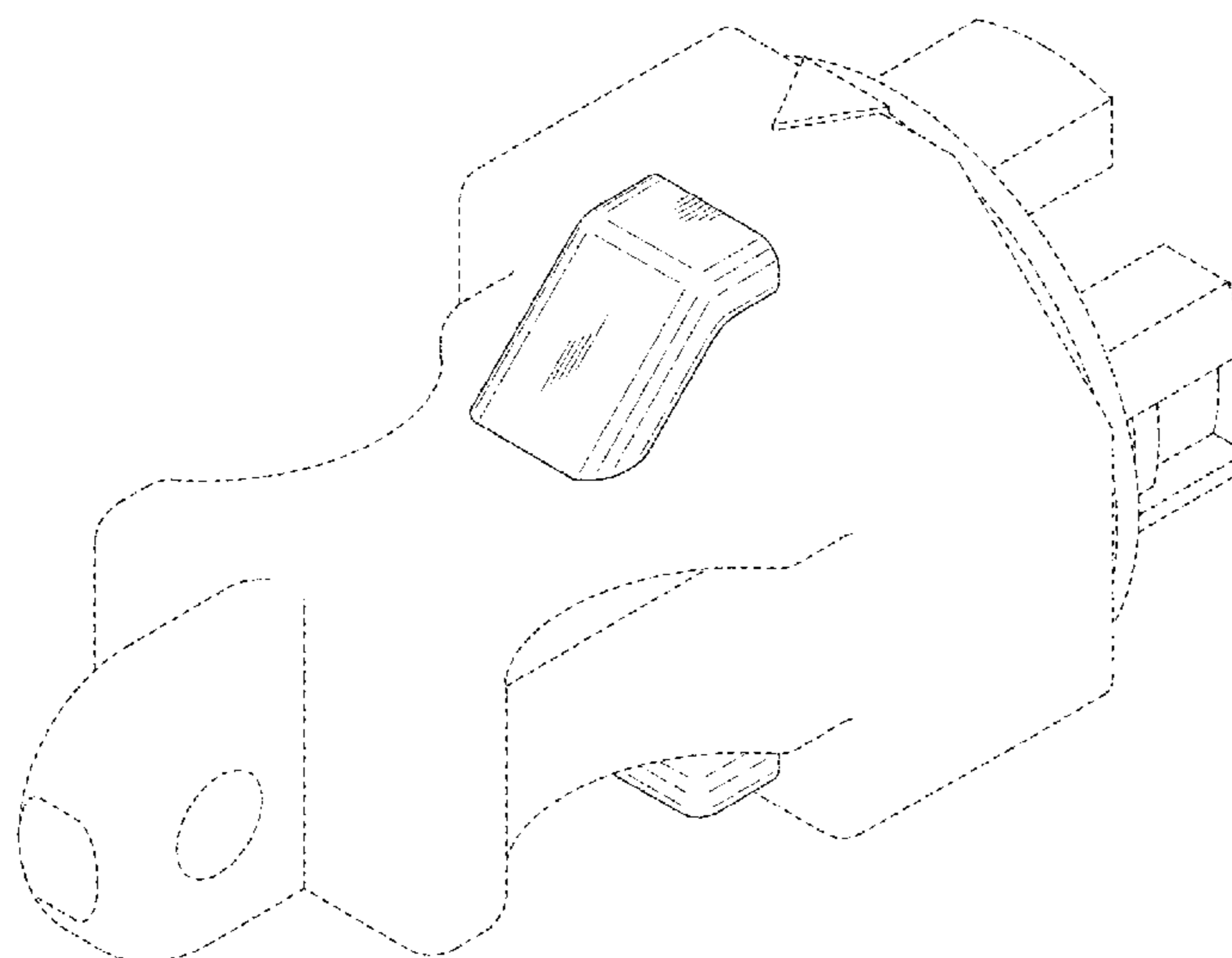
(57) **CLAIM**

The ornamental design for a cap for optical connector, as shown and described.

DESCRIPTION

FIG. 1 is a front elevational view of a cap for optical connector showing our new design;
FIG. 2 is a top plan view thereof;
FIG. 3 is a right side elevational view thereof;
FIG. 4 is a rear elevational view thereof;
FIG. 5 is a bottom plan view thereof;
FIG. 6 is a front and top perspective view thereof;
FIG. 7 is a rear and top perspective view thereof;
FIG. 8 is a front and bottom perspective view thereof; and,
FIG. 9 is a rear and bottom perspective view thereof.
The broken lines in the drawings are included for the purpose of illustrating environmental structure and form no part of the claimed design.

1 Claim, 9 Drawing Sheets



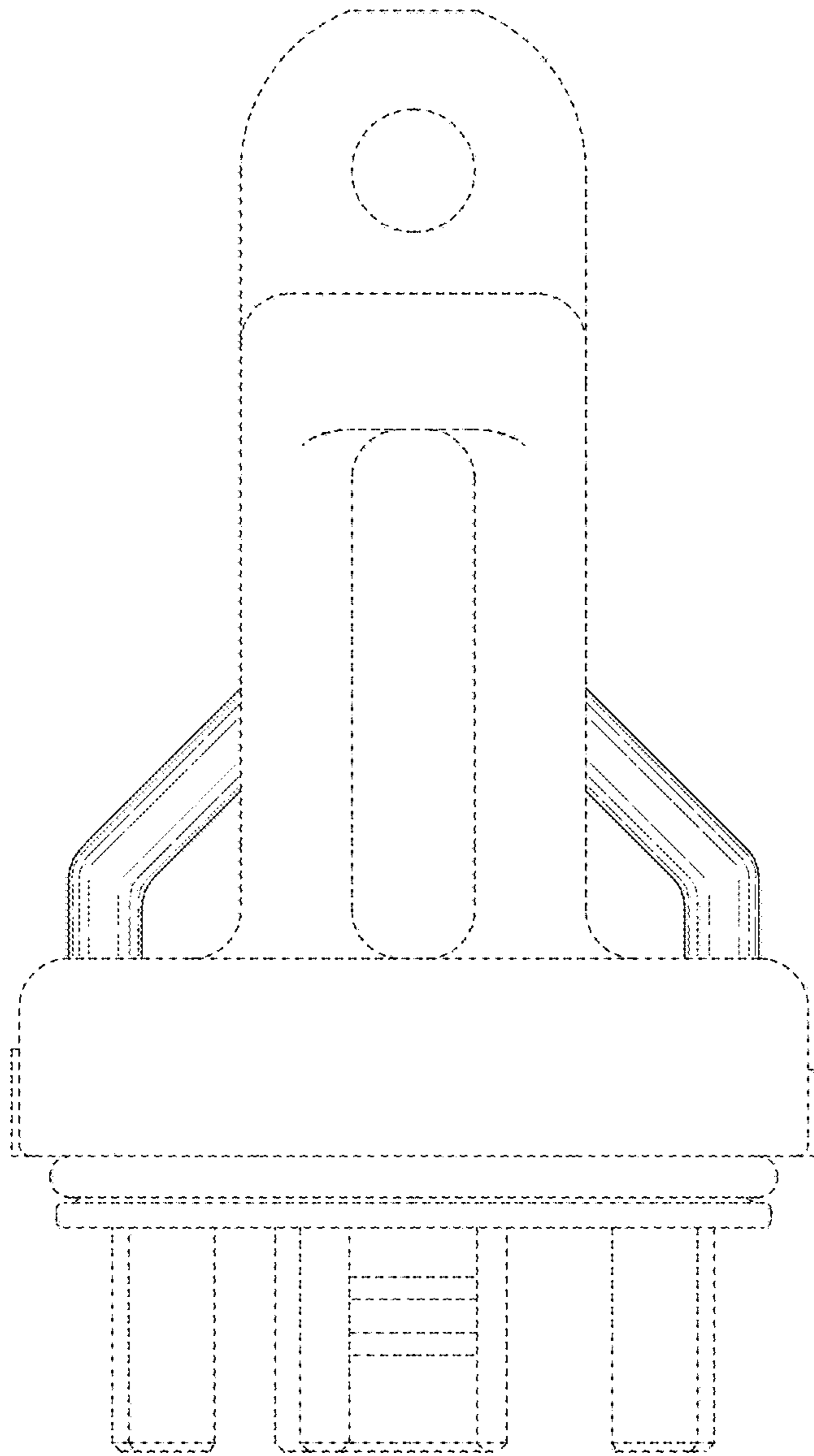


FIG. 1

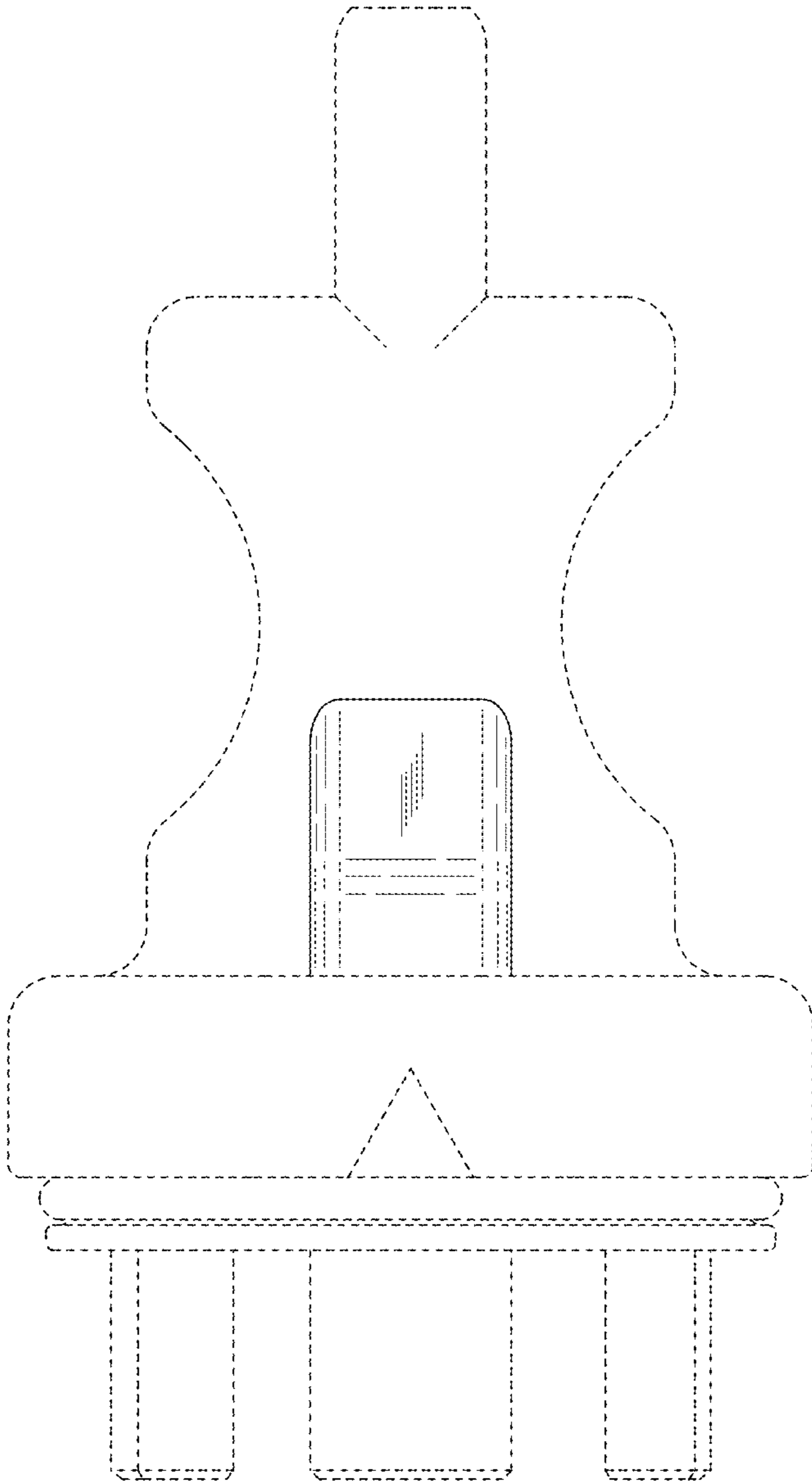


FIG. 2

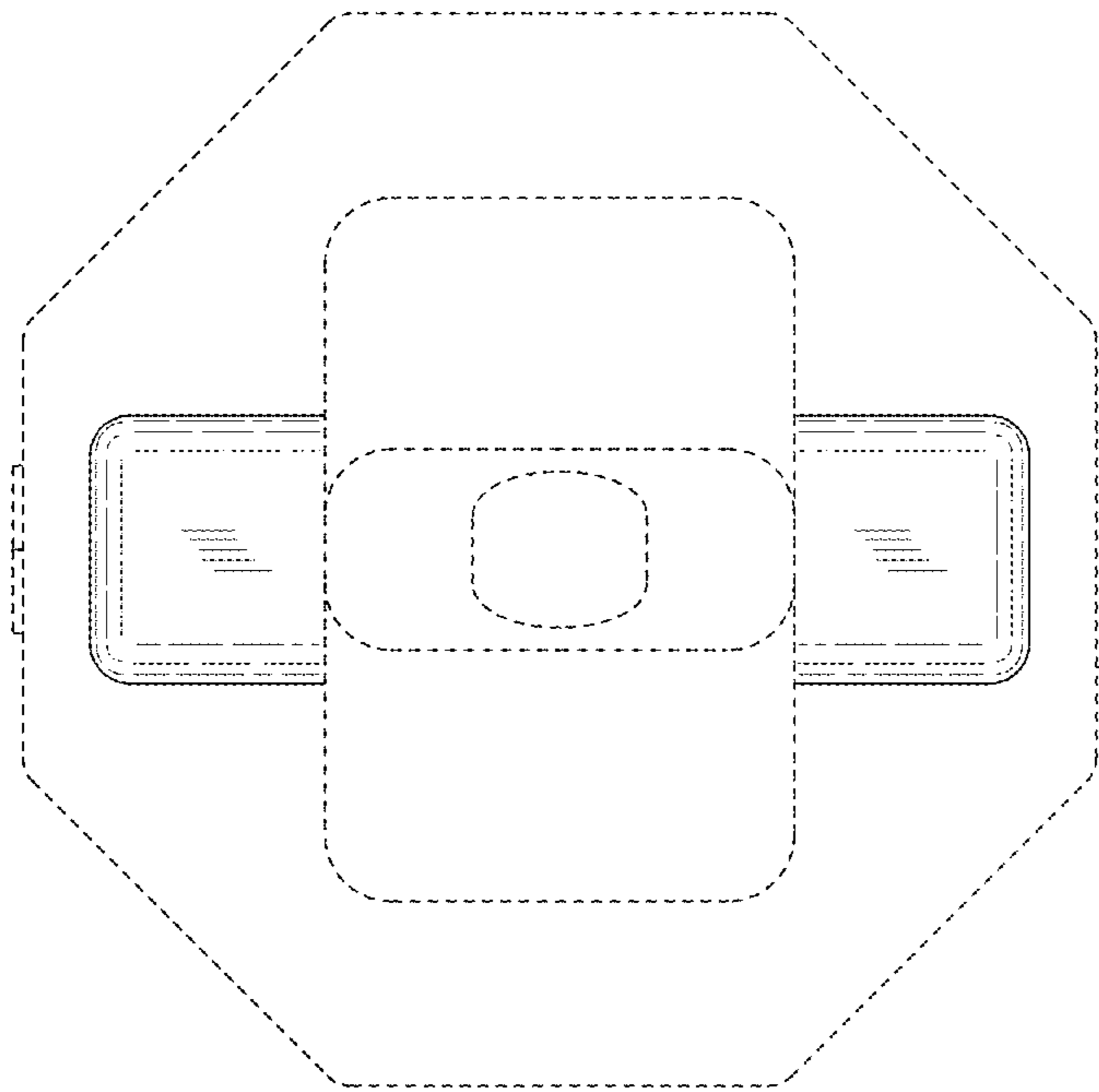


FIG. 3

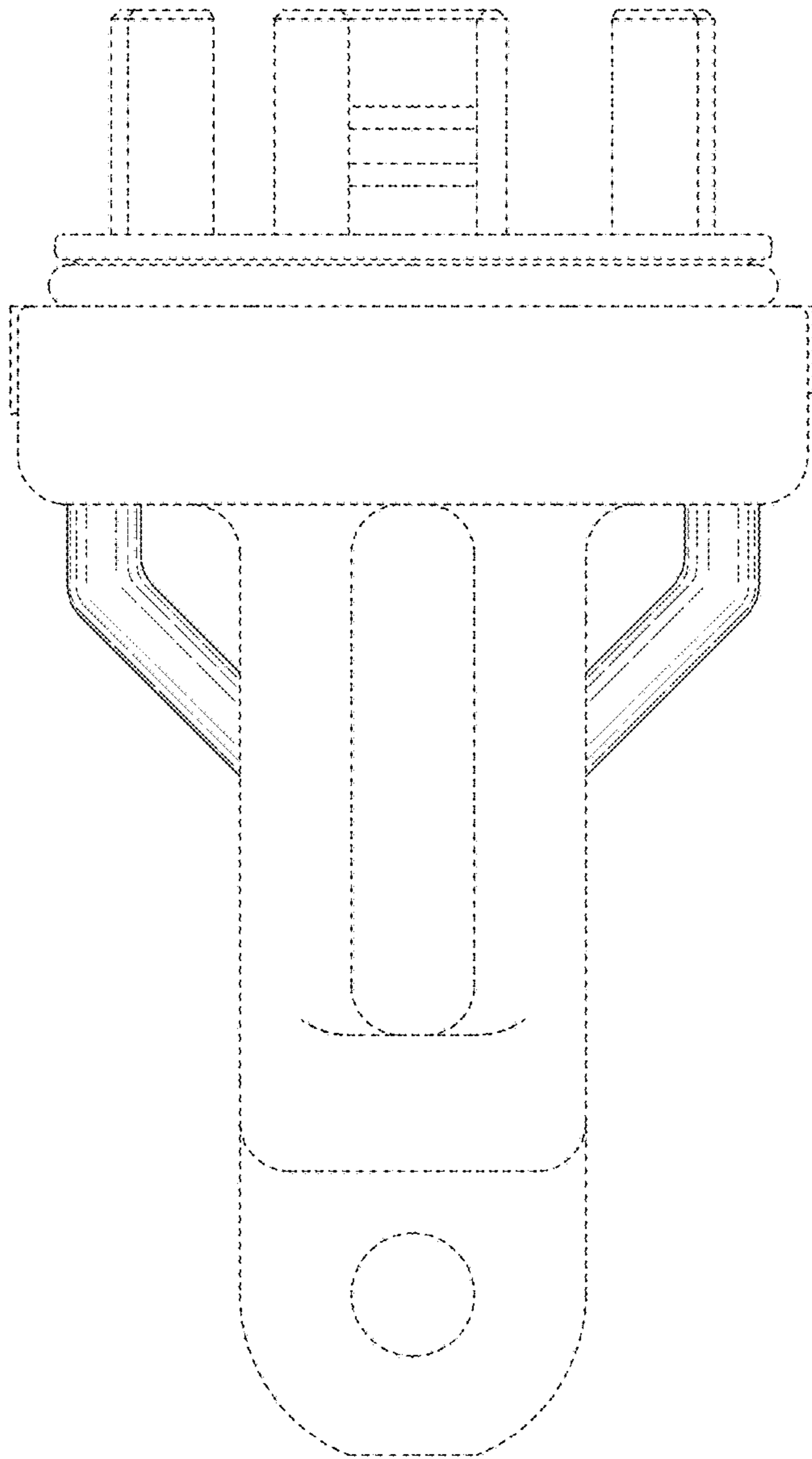


FIG. 4

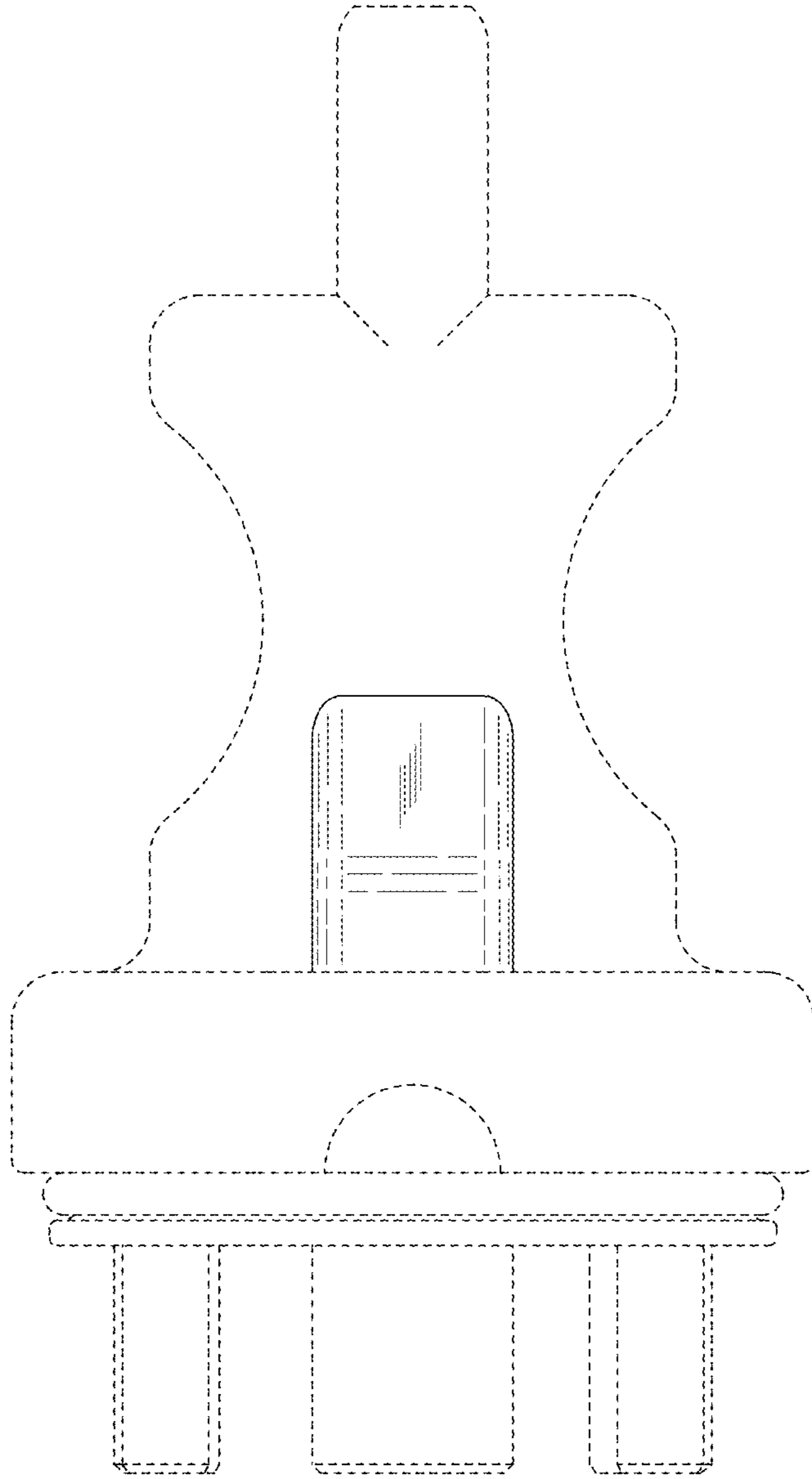


FIG. 5

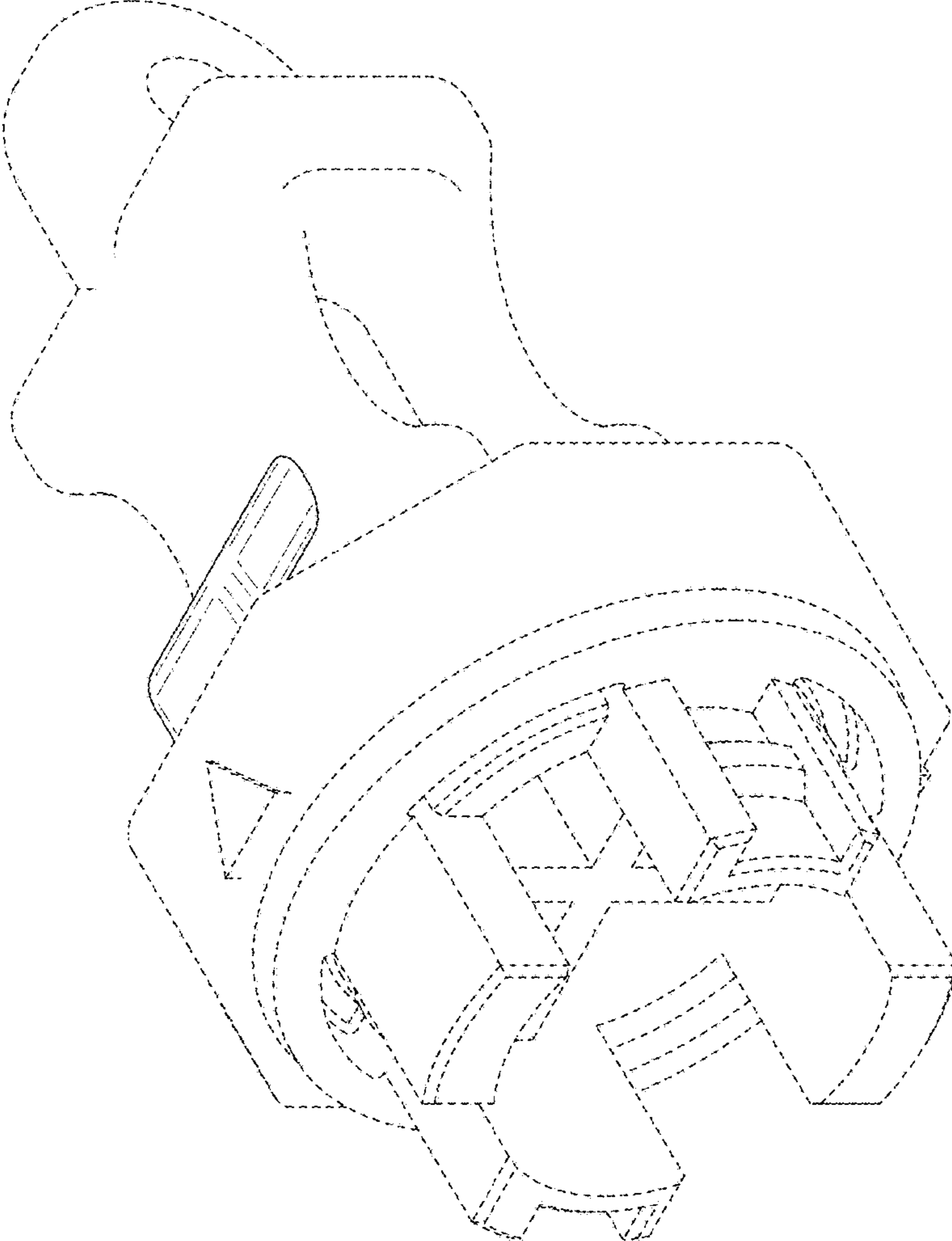


FIG. 6

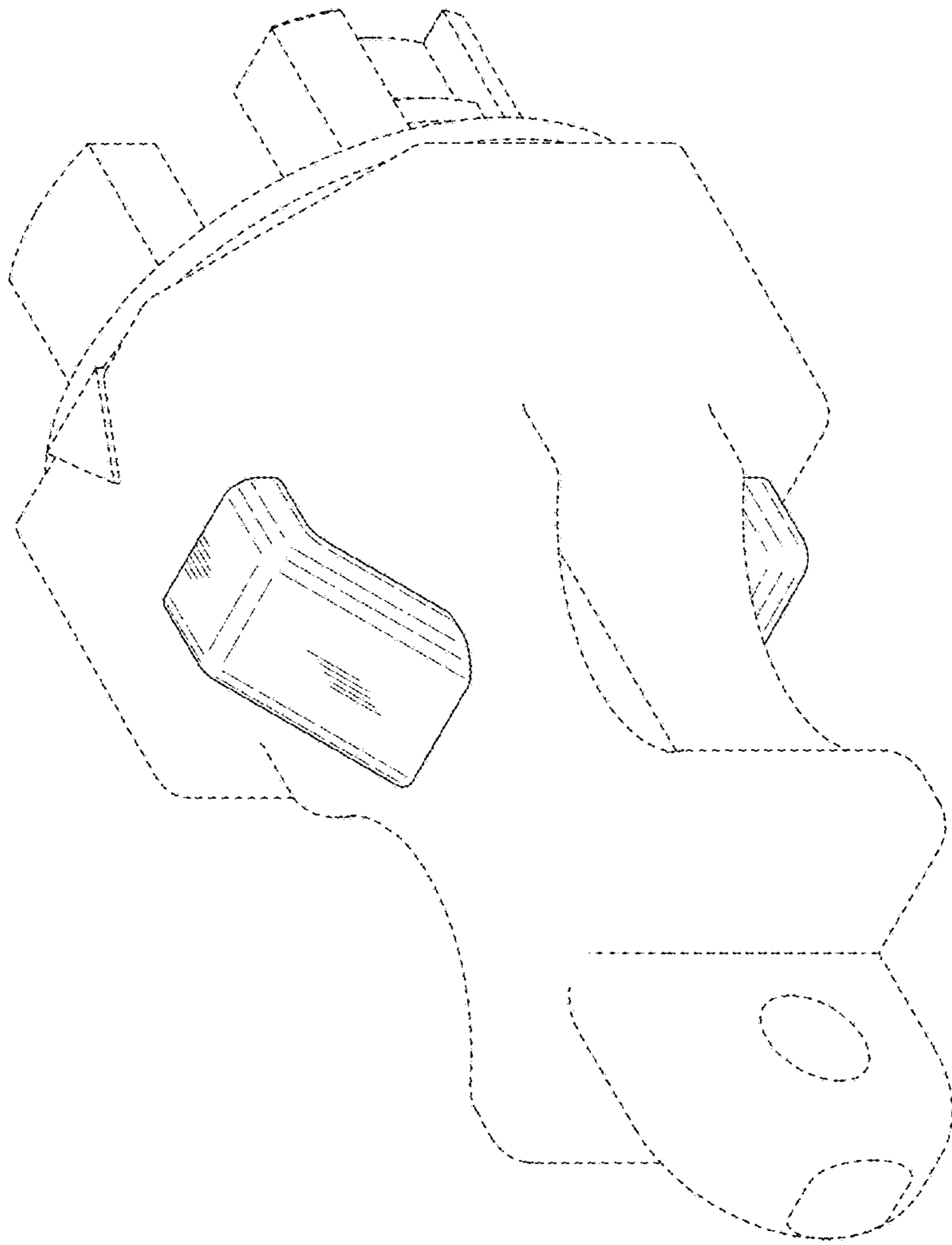


FIG. 7

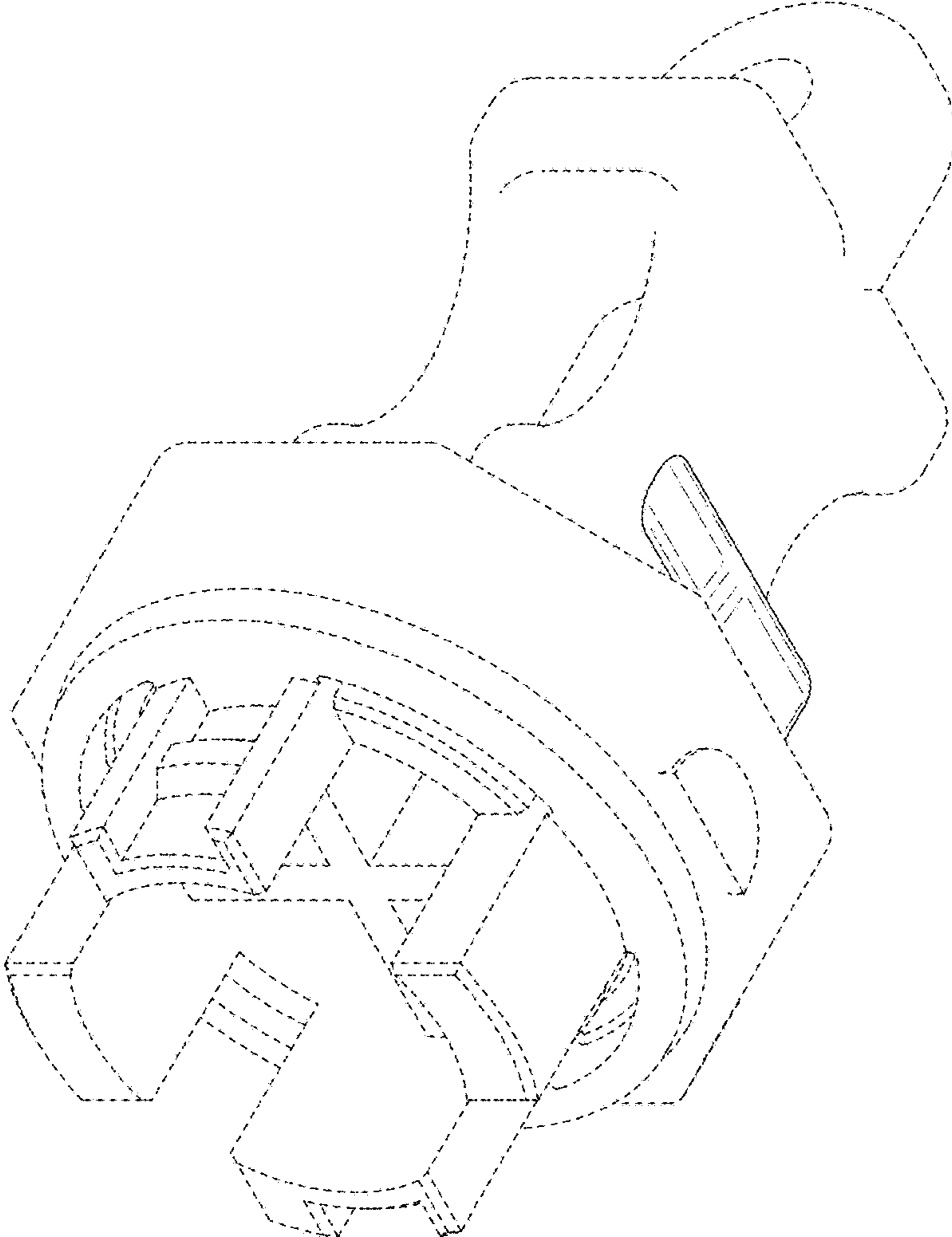


FIG. 8

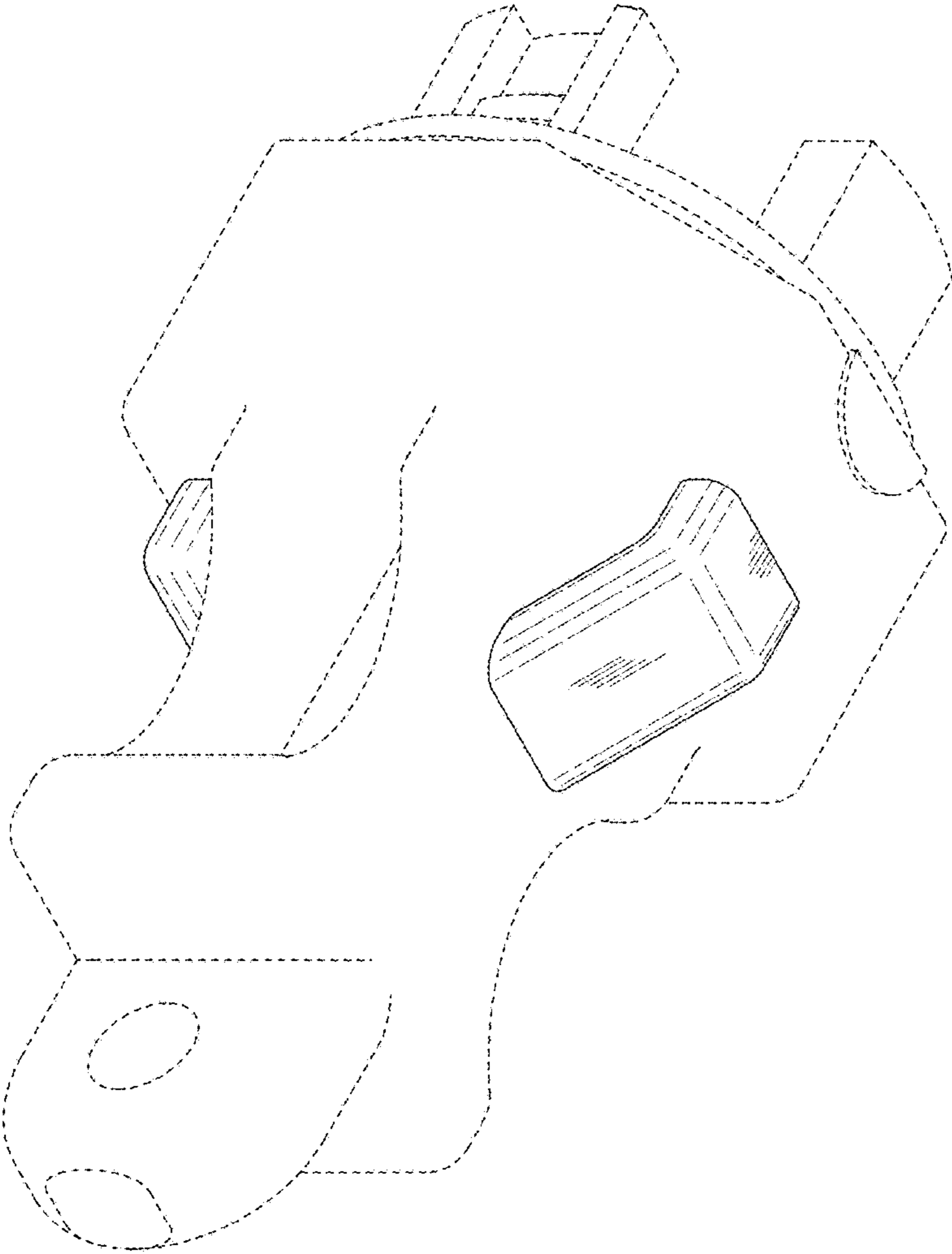


FIG. 9