



US00D825487S

(12) **United States Design Patent** (10) **Patent No.:** **US D825,487 S**
Munson (45) **Date of Patent:** **** Aug. 14, 2018**

(54) **CABLE WRAP**

(71) Applicant: **Saddleback Leather Company, LLC**,
San Antonio, TX (US)

(72) Inventor: **David C. Munson**, San Antonio, TX
(US)

(73) Assignee: **SADDLEBACK LEATHER
COMPANY, LLC**, San Antonio, TX
(US)

(**) Term: **15 Years**

(21) Appl. No.: **29/543,091**

(22) Filed: **Oct. 21, 2015**

(51) **LOC (11) Cl.** **13-03**

(52) **U.S. Cl.**
USPC **D13/155**

(58) **Field of Classification Search**
USPC D13/155, 123, 133, 153, 154, 156, 184,
D13/199; D8/349, 355, 356, 367, 383;
D11/3, 87; 138/156, 162; 174/68.1,
174/68.3, 71 R, 72 C, 74 R, 481, 503,
174/504, 660, 665, 667, 668; 385/134,
385/136, 137; 403/83, 92, 403; D3/327;
D2/627, 624
CPC Y10T 24/318; Y10T 24/3444; Y10T
24/3416; G09F 3/005; F16L 3/1236;
F16L 3/233; A44B 11/22; A44B 18/00;
A44C

(Continued)

(56) **References Cited**

U.S. PATENT DOCUMENTS

1,603,861 A * 10/1926 Mundis A45C 11/24
174/5 R
2,871,592 A * 2/1959 Polzin G09F 3/005
24/574.1

(Continued)

OTHER PUBLICATIONS

amazon.com. "Weeyi . . . Leather Cord Organizer." Date accessed:
Mar. 28, 2018. Date listed: Mar. 8, 2018 [https://www.amazon.com/
Weeyi-Handmade-Genuine-Organizer-Headphone/dp/
B07BBJQ44G/ref=sr_1_33?s=audio-video-accessories&ie=UTF8
&qid%E2%80%A6.*](https://www.amazon.com/Weeyi-Handmade-Genuine-Organizer-Headphone/dp/B07BBJQ44G/ref=sr_1_33?s=audio-video-accessories&ie=UTF8&qid%E2%80%A6.*)

(Continued)

Primary Examiner — Derrick Holland
Assistant Examiner — Jennifer O King
(74) *Attorney, Agent, or Firm* — Alston & Bird LLP

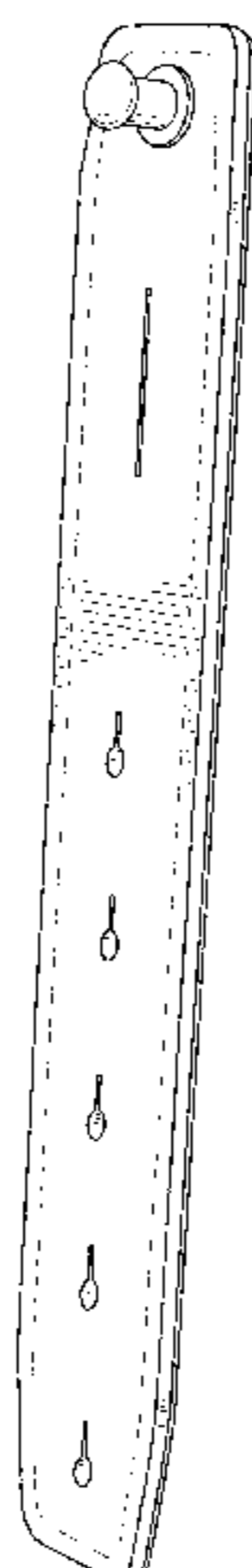
(57) **CLAIM**

The ornamental design for a cable wrap, as shown and
described.

DESCRIPTION

FIG. 1 is a perspective view of a cable wrap according to our
new design;
FIG. 2 is a front elevation view thereof;
FIG. 3 is a back elevation view thereof;
FIG. 4 is a right side elevation view thereof;
FIG. 5 is a left side elevation view thereof;
FIG. 6 is a top plan view thereof;
FIG. 7 is a bottom plan view thereof; and
FIG. 8 is another perspective view thereof.
FIG. 9 is a perspective view of a cable wrap according to
another embodiment of our new design;
FIG. 10 is a front elevation view thereof;
FIG. 11 is a back elevation view thereof;
FIG. 12 is a right side elevation view thereof;
FIG. 13 is a left side elevation view thereof;
FIG. 14 is a top plan view thereof;
FIG. 15 is a bottom plan view thereof; and,
FIG. 16 is another perspective view thereof.
The dash-dash-break broken lines visible in FIGS. 1, 2, 3, 8,
9, 10, 11, and 16 are representative of stitching of the cable
wrap and form no part of the claimed design.

(Continued)



The dash-dash broken lines visible in FIGS. 9, 12, 13, 14, 15, and 16 show portions of the cable wrap that form no part of the claimed design.

1 Claim, 12 Drawing Sheets

(58) **Field of Classification Search**

CPC .. 5/2071; B65D 2313/02; B65D 63/10; B65D 63/1027

See application file for complete search history.

(56)

References Cited

U.S. PATENT DOCUMENTS

2,896,889	A *	7/1959	Hershberger	F16L 3/1236 174/40 CC
2,974,916	A *	3/1961	Richey	F16L 3/1236 24/302
4,274,612	A *	6/1981	Massey	B65D 63/02 24/16 PB
D337,309	S *	7/1993	Mally	D13/154
D353,990	S *	1/1995	Alfreds	D8/356
6,313,406	B1 *	11/2001	Gretz	H02G 3/26 174/135

6,581,885	B2 *	6/2003	Polad	F16L 3/137 24/16 PB
D675,123	S *	1/2013	Nunez	D11/3
D712,295	S *	9/2014	Ennis	D11/3
D716,172	S *	10/2014	Howe	D11/3
D729,045	S *	5/2015	Cavanaugh	D8/356
D751,452	S *	3/2016	Henning	D11/87
D755,727	S *	5/2016	Estes	D13/154
D761,089	S *	7/2016	Chen	D8/356
2006/0174454	A1 *	8/2006	Dahl	A44B 11/22 24/185

OTHER PUBLICATIONS

Banvard&James.com. "Tan hanlon Cable Wrap." Date accessed: Mar. 28, 2018. Date listed: Mar. 28, 2015. <https://banvardandjames.com/collections/gifts-under-25/products/tan-hanlon-cable-wrap>.*

etsy.com. "Leather Cable Holder." Date accessed: Mar. 28, 2018. Date listed: Jan. 16, 2018. https://www.etsy.com/listing/175170268/leather-cable-holder?ref=shop_review.*

Youtube.com. "Leather Earphone Wraps from Oxblood & Co." Date accessed Mar. 28, 2018. Date listed: Feb. 8, 2015. <https://www.youtube.com/watch?v=5yPgKixJ2M8>.*

* cited by examiner

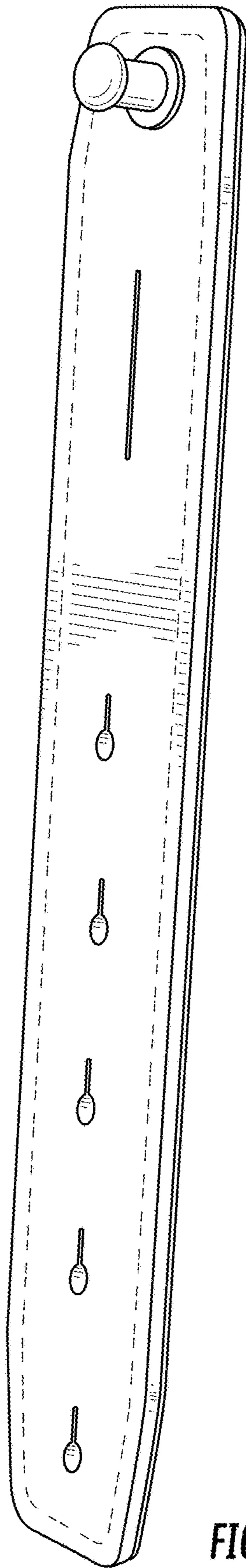


FIG. 1

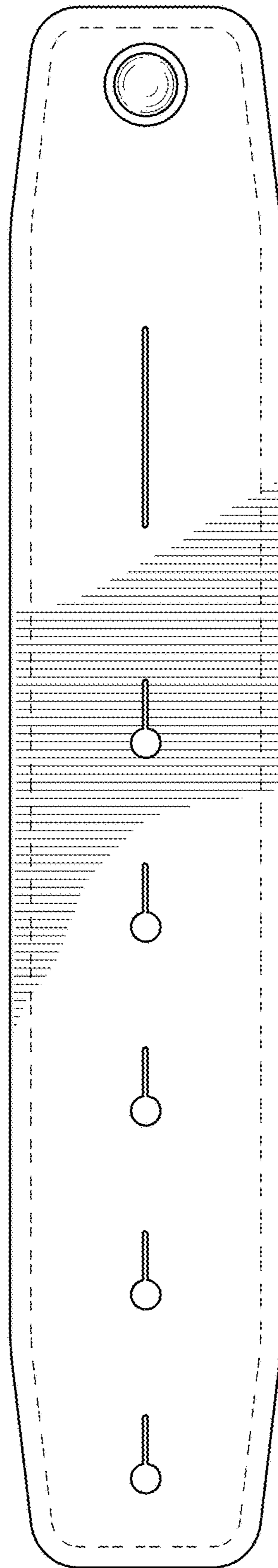


FIG. 2

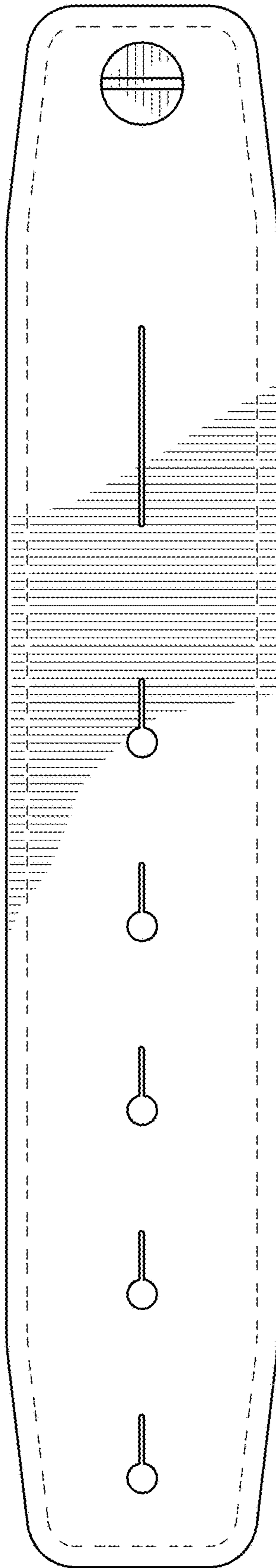


FIG. 3

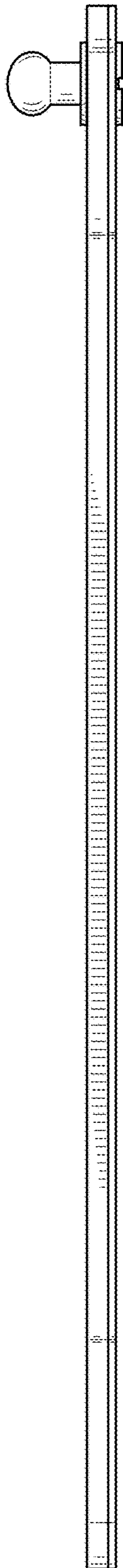


FIG. 4

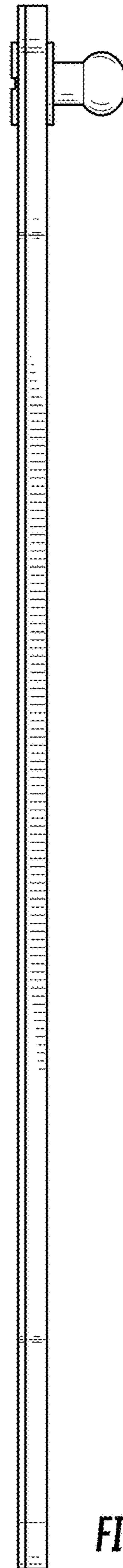


FIG. 5

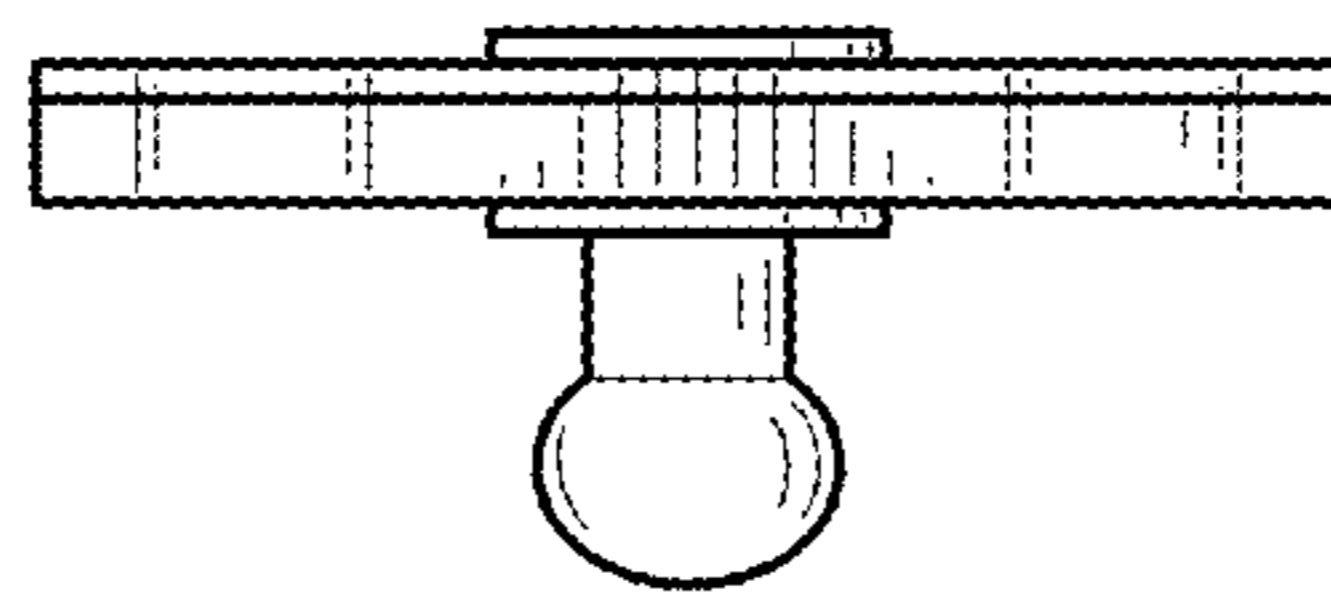


FIG. 6

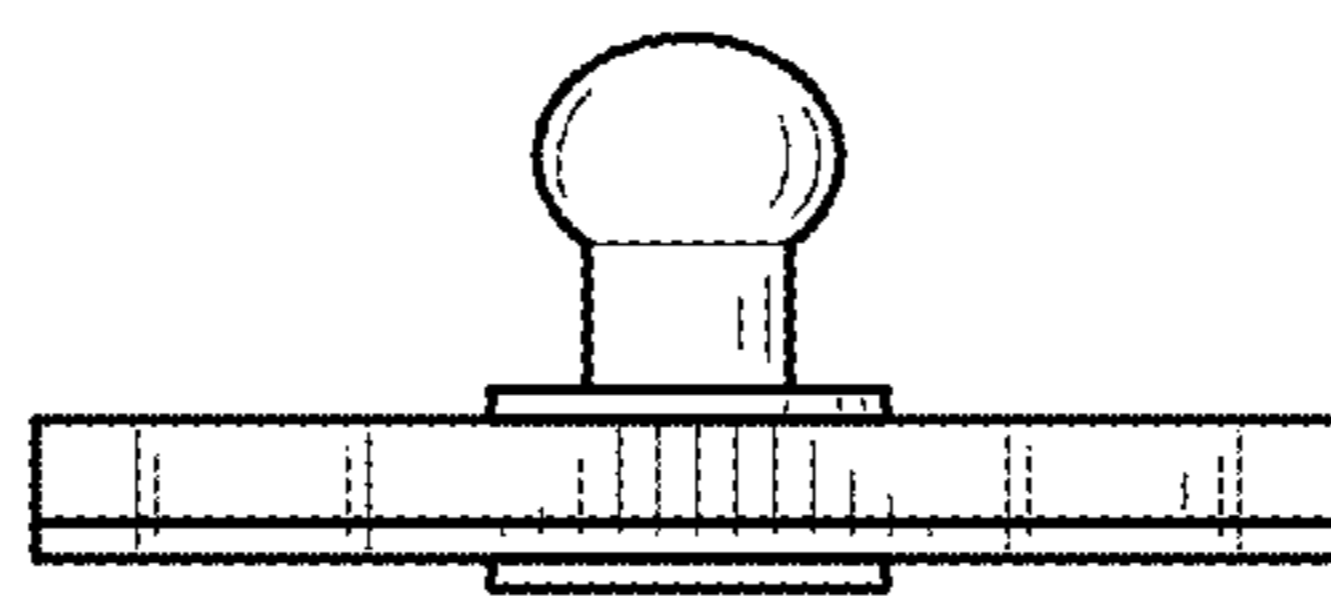


FIG. 7

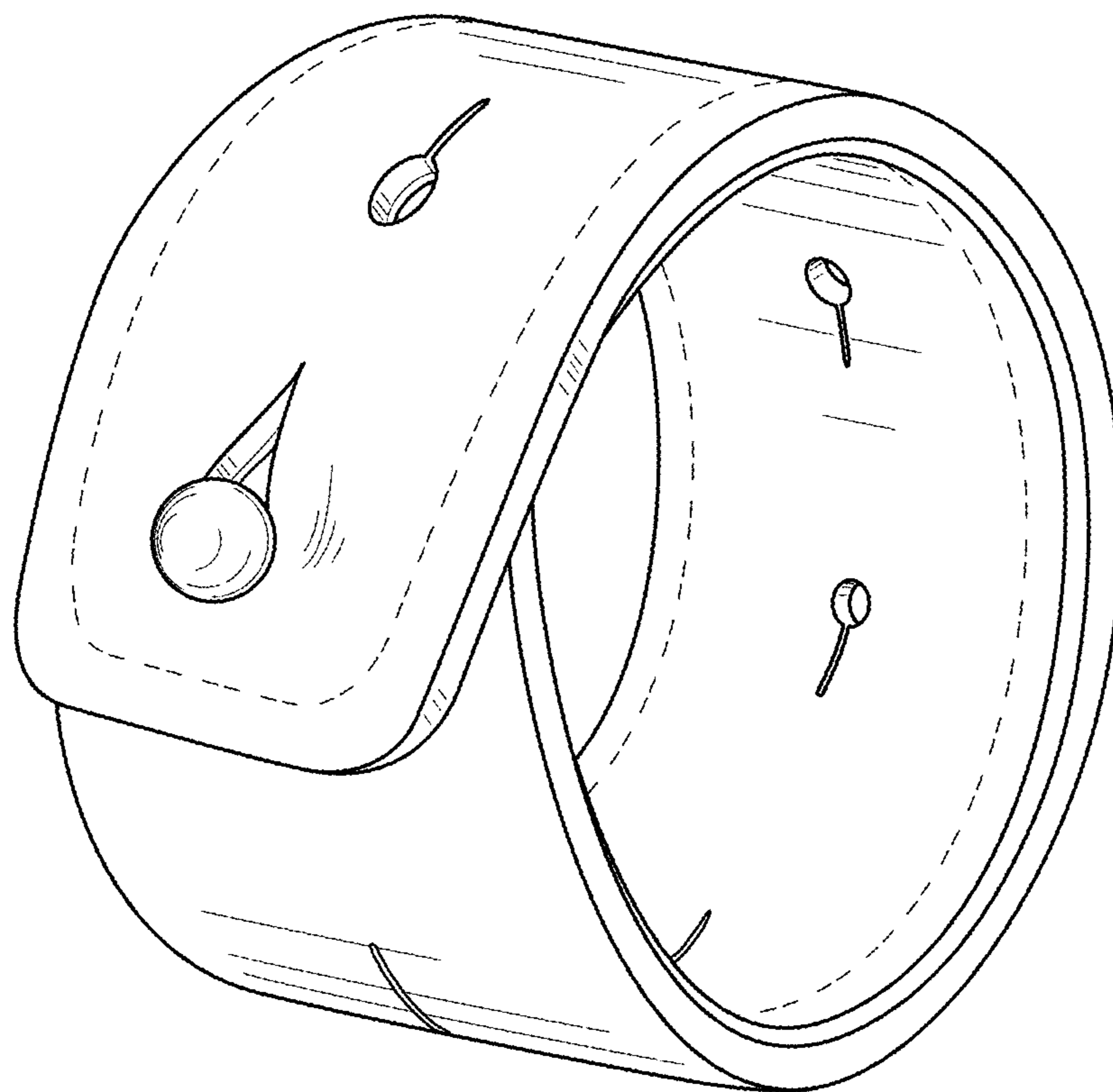


FIG. 8

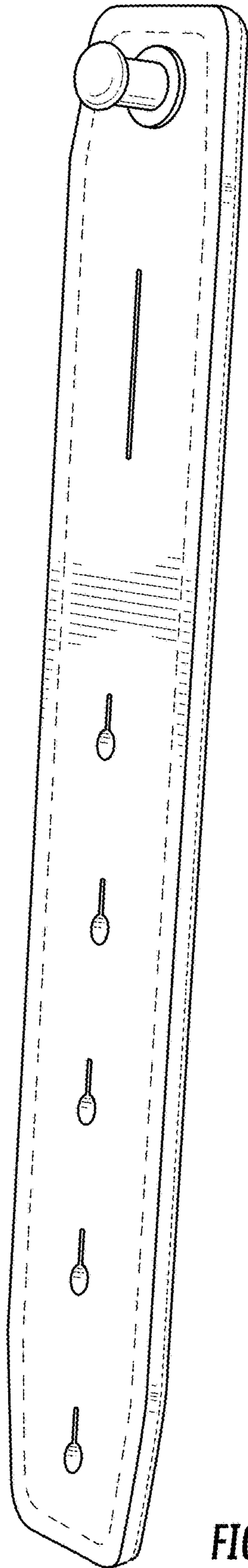


FIG. 9

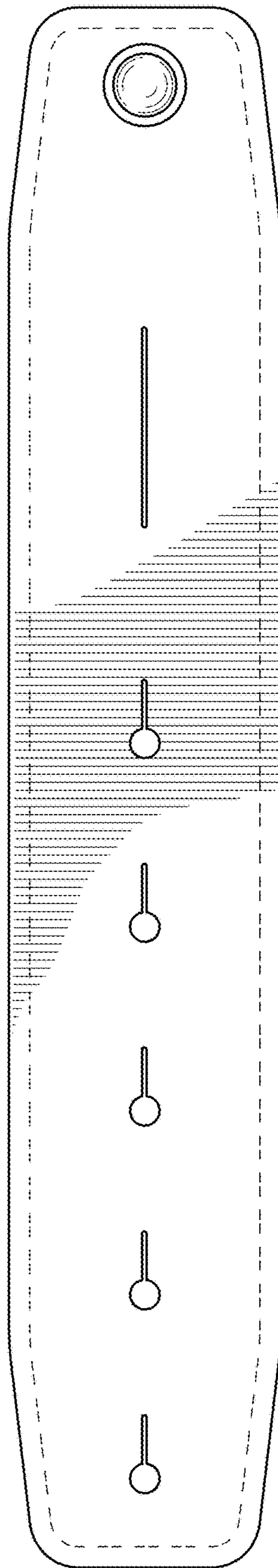


FIG. 10

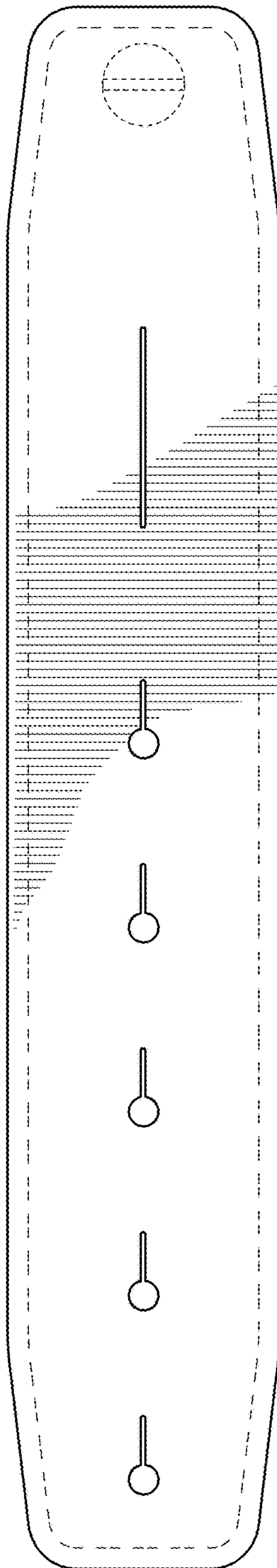


FIG. 11

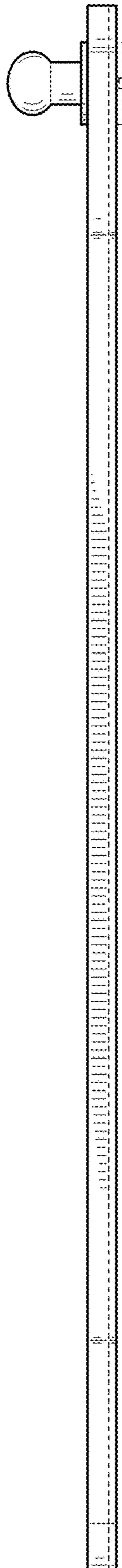


FIG. 12

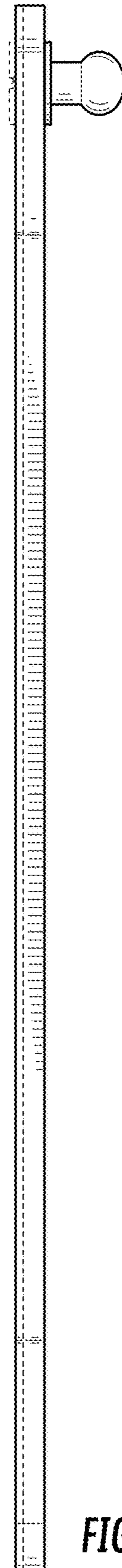


FIG. 13

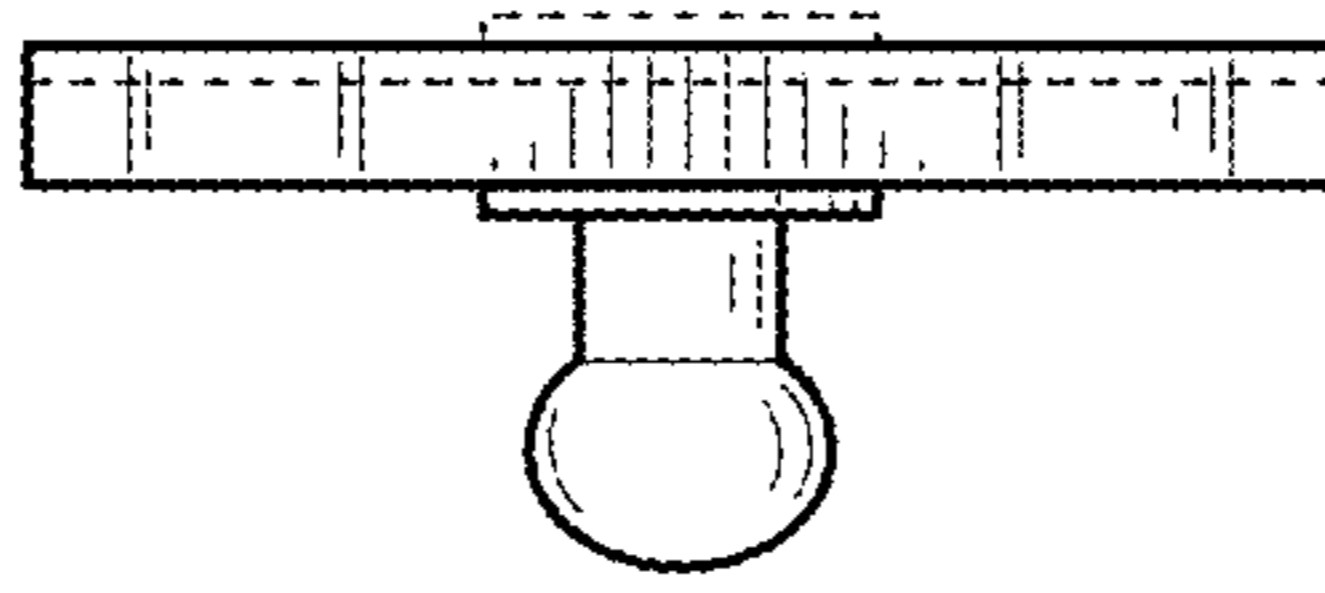


FIG. 14

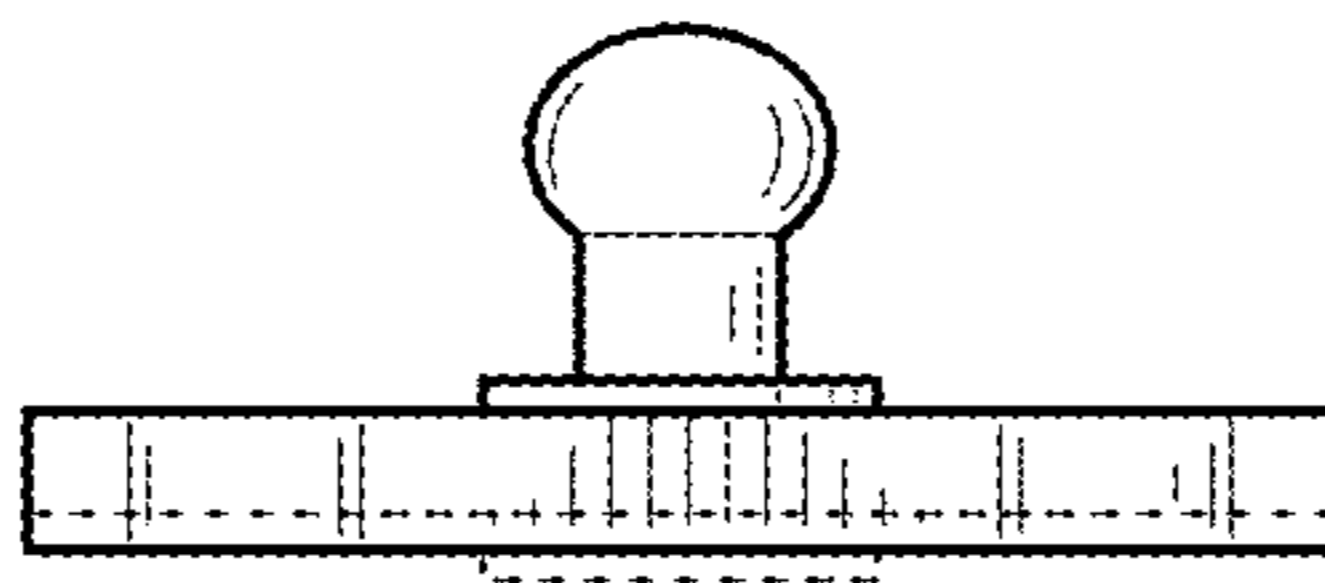


FIG. 15

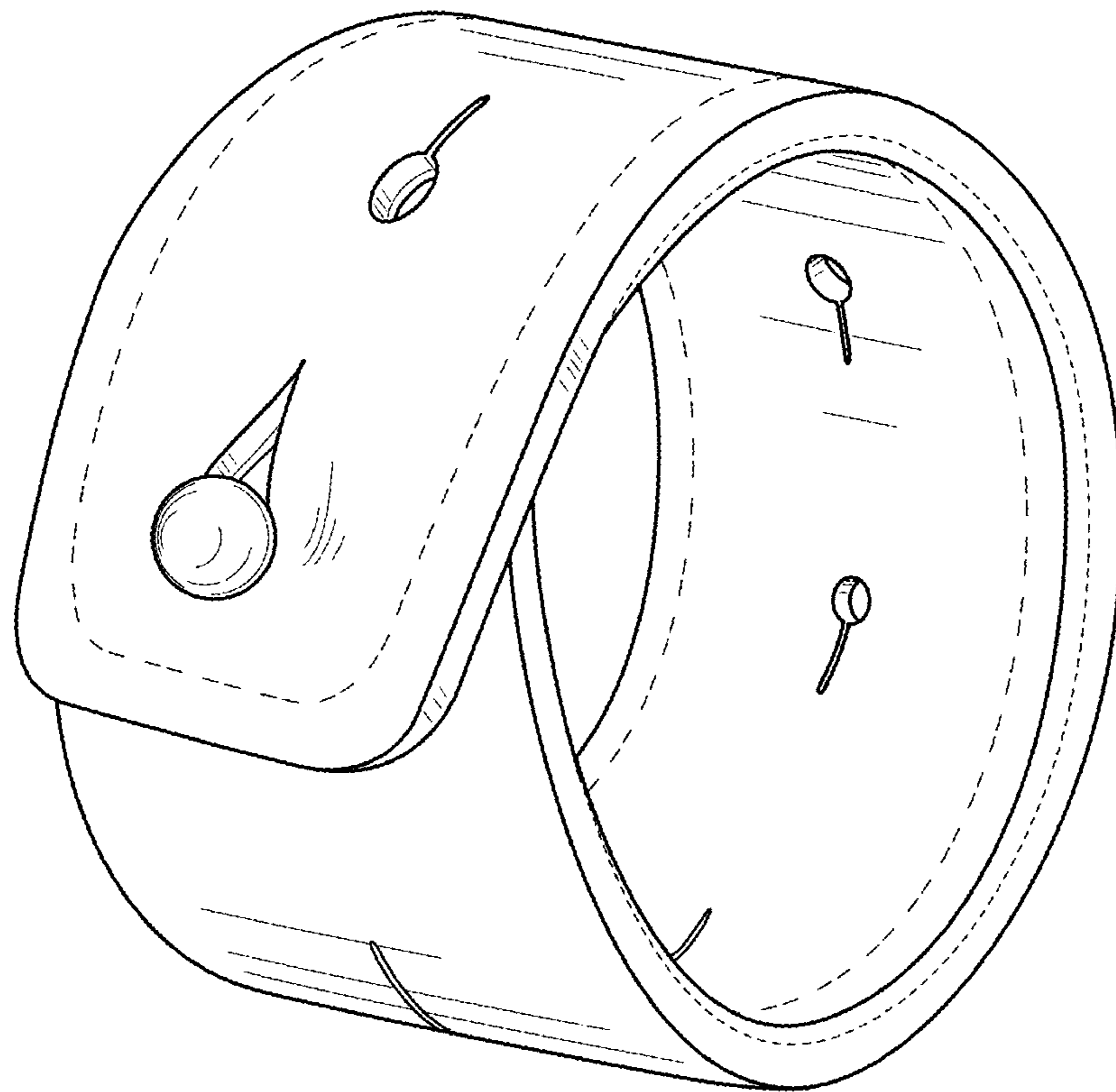


FIG. 16