



US00D825486S

(12) **United States Design Patent**
Nelson

(10) **Patent No.:** **US D825,486 S**

(45) **Date of Patent:** **** Aug. 14, 2018**

(54) **MOUNTED POWER STATION**

(71) Applicant: **Michael E. Nelson**, Jonesboro, AR
(US)

(72) Inventor: **Michael E. Nelson**, Jonesboro, AR
(US)

(**) Term: **15 Years**

(21) Appl. No.: **29/602,647**

(22) Filed: **May 2, 2017**

(51) **LOC (11) Cl.** **13-03**

(52) **U.S. Cl.**
USPC **D13/154; D13/148**

(58) **Field of Classification Search**

USPC D13/107, 110, 118, 119, 120, 123, 128,
D13/133, 146, 147, 148, 149, 154, 184,
D13/199; 361/500, 600, 601, 679.01, 825
CPC H02J 3/32; H02J 7/00; H02J 7/14; H01R
3/32; H01R 13/66; H02K 53/00; F24J
2/38

See application file for complete search history.

(56) **References Cited**

U.S. PATENT DOCUMENTS

6,785,489 B2 * 8/2004 Anderson, II G03G 15/751
399/117
D573,947 S * 7/2008 Kishimoto D13/119
D681,058 S * 4/2013 Yamamoto D13/118
2014/0072342 A1 * 3/2014 Iijima G03G 15/757
399/167

* cited by examiner

Primary Examiner — Daniel Bui

(74) *Attorney, Agent, or Firm* — Schrantz Law Firm,
PLLC; Stephen D. Schrantz

(57) **CLAIM**

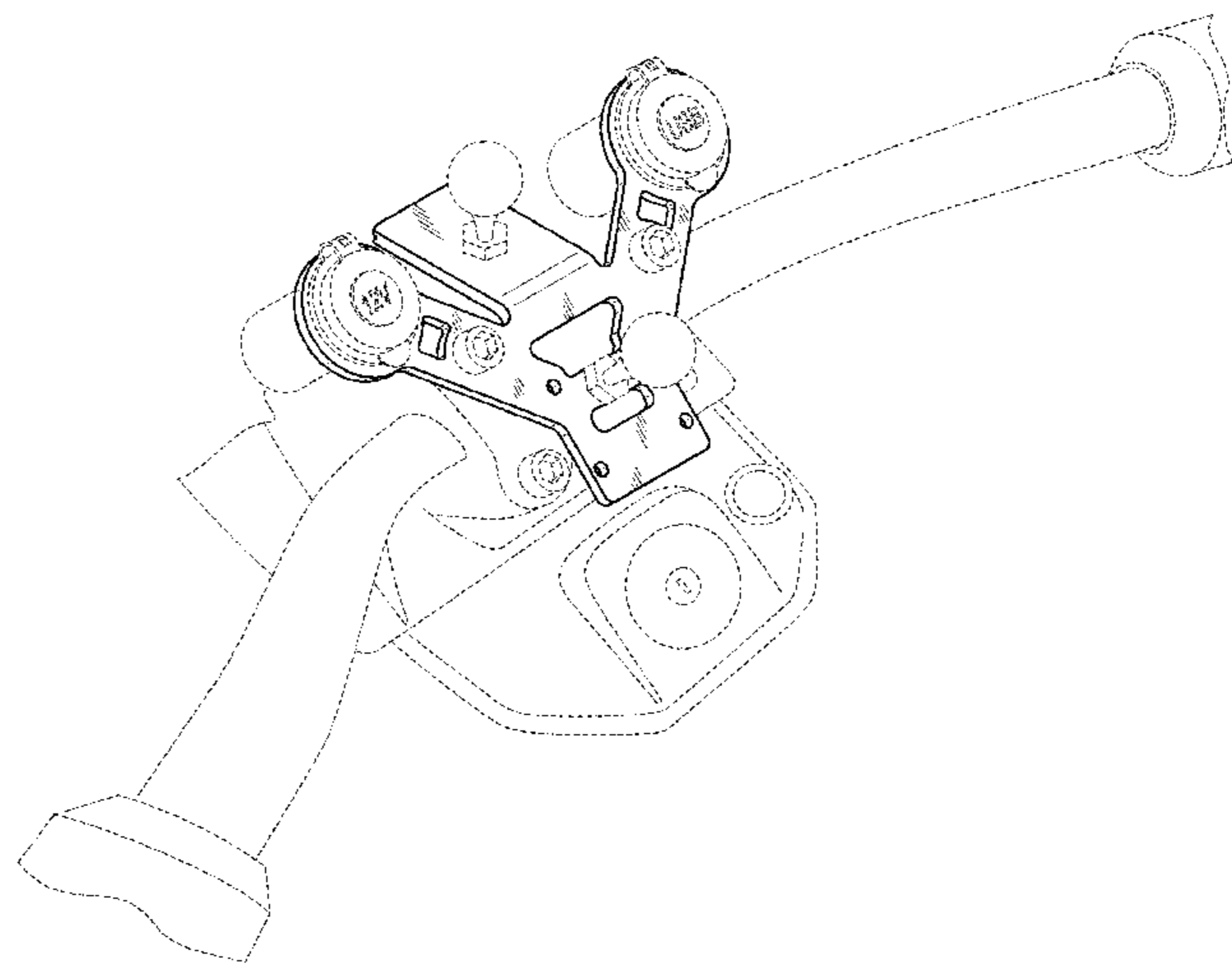
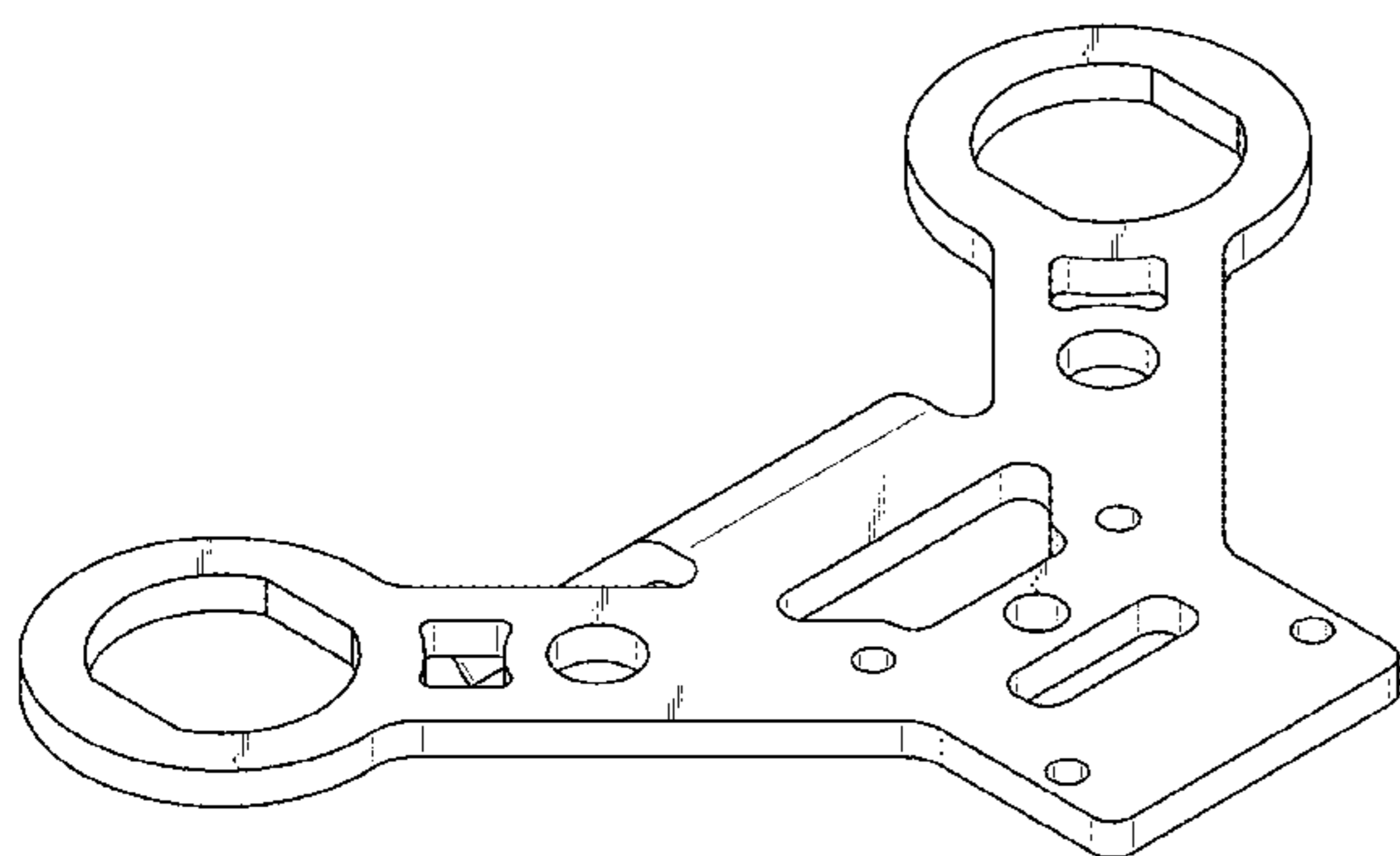
The ornamental design for a mounted power station, as shown and described.

DESCRIPTION

FIG. 1 is a front, top and left side perspective view of a mounted power station showing my new design; FIG. 2 is a front, bottom and left side perspective thereof; FIG. 3 is a top plan view thereof; FIG. 4 is a rear elevational view thereof; FIG. 5 is a front elevational view thereof; FIG. 6 is a left side elevational view thereof; FIG. 7 is a right side elevational view thereof; FIG. 8 is a bottom plan view thereof; FIG. 9 is a front, top and left side perspective view thereof, in use condition; and, FIG. 10 is another front, top and left side perspective view thereof, in use condition.

The broken line shown in FIGS. 9 and 10 is for the purpose of illustrating unclaimed environment only and forms no part of the claimed design.

1 Claim, 6 Drawing Sheets



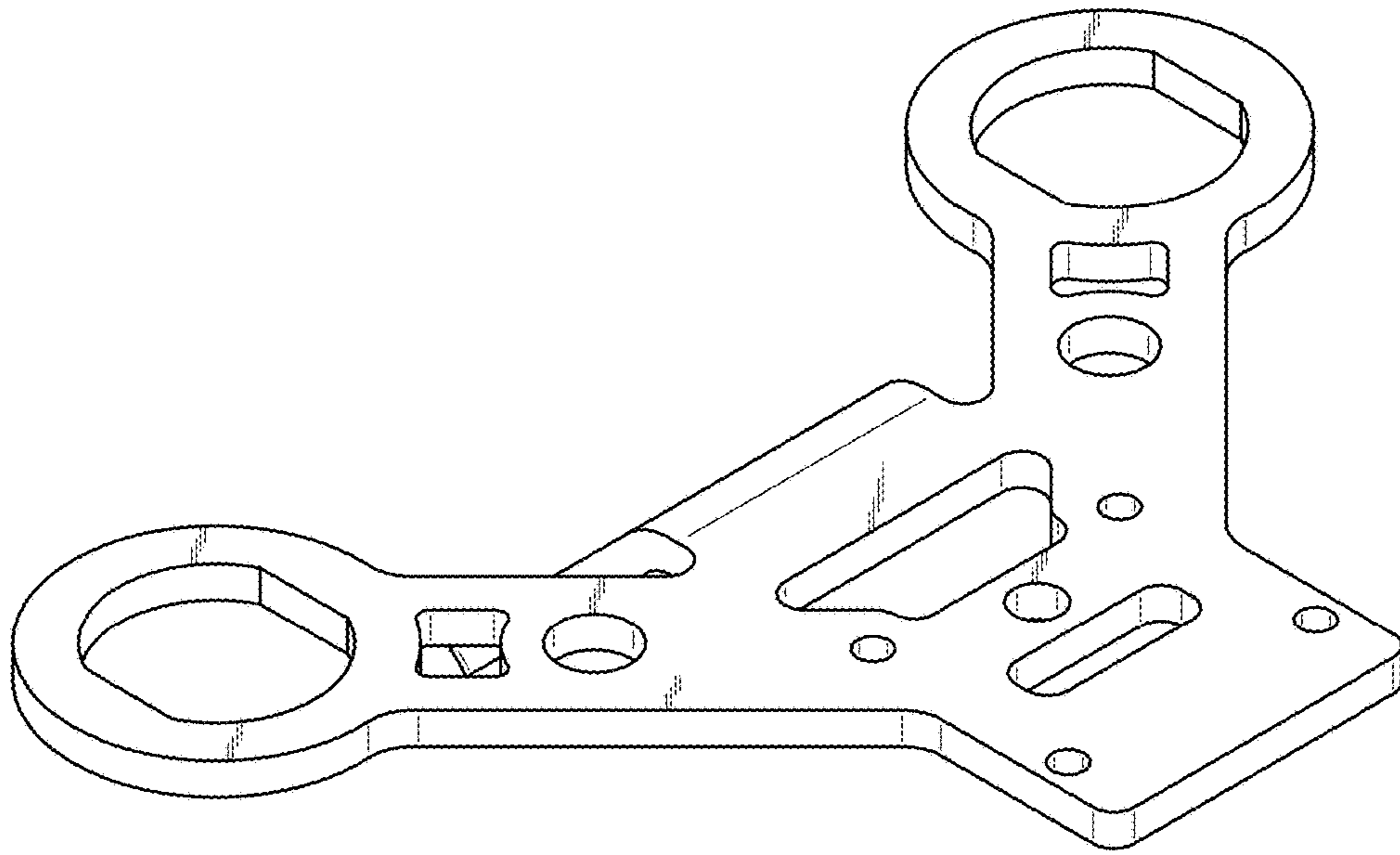


FIG. 1

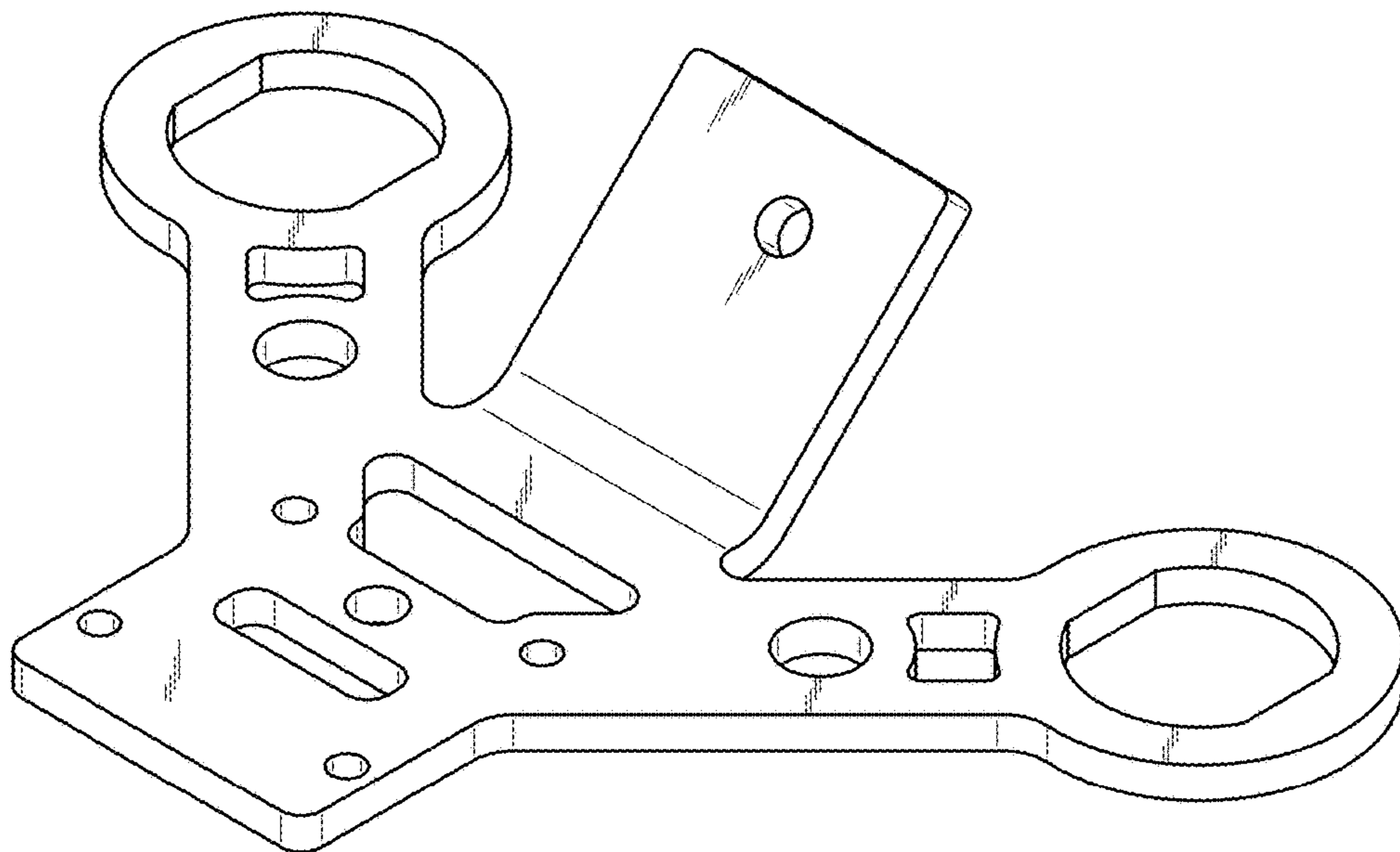


FIG. 2

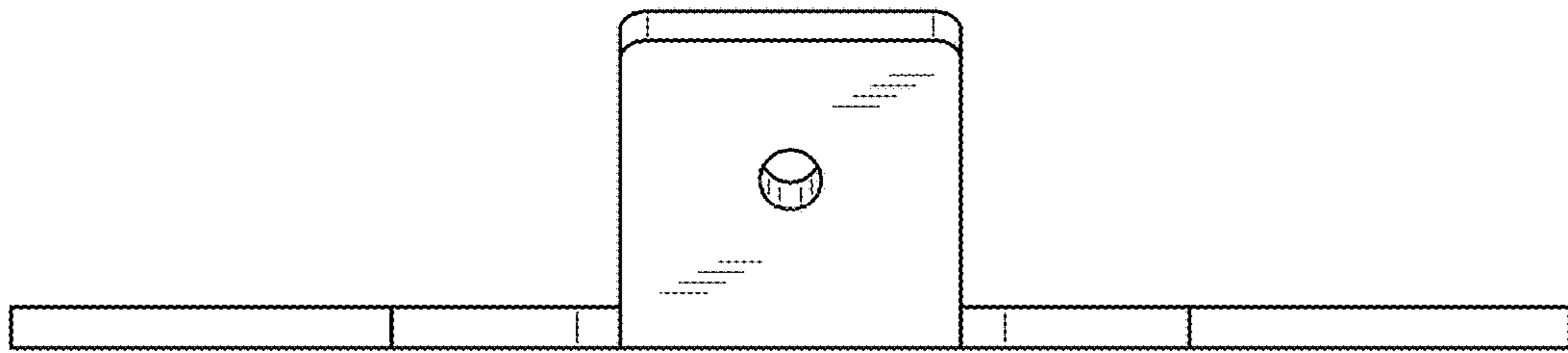


FIG. 4

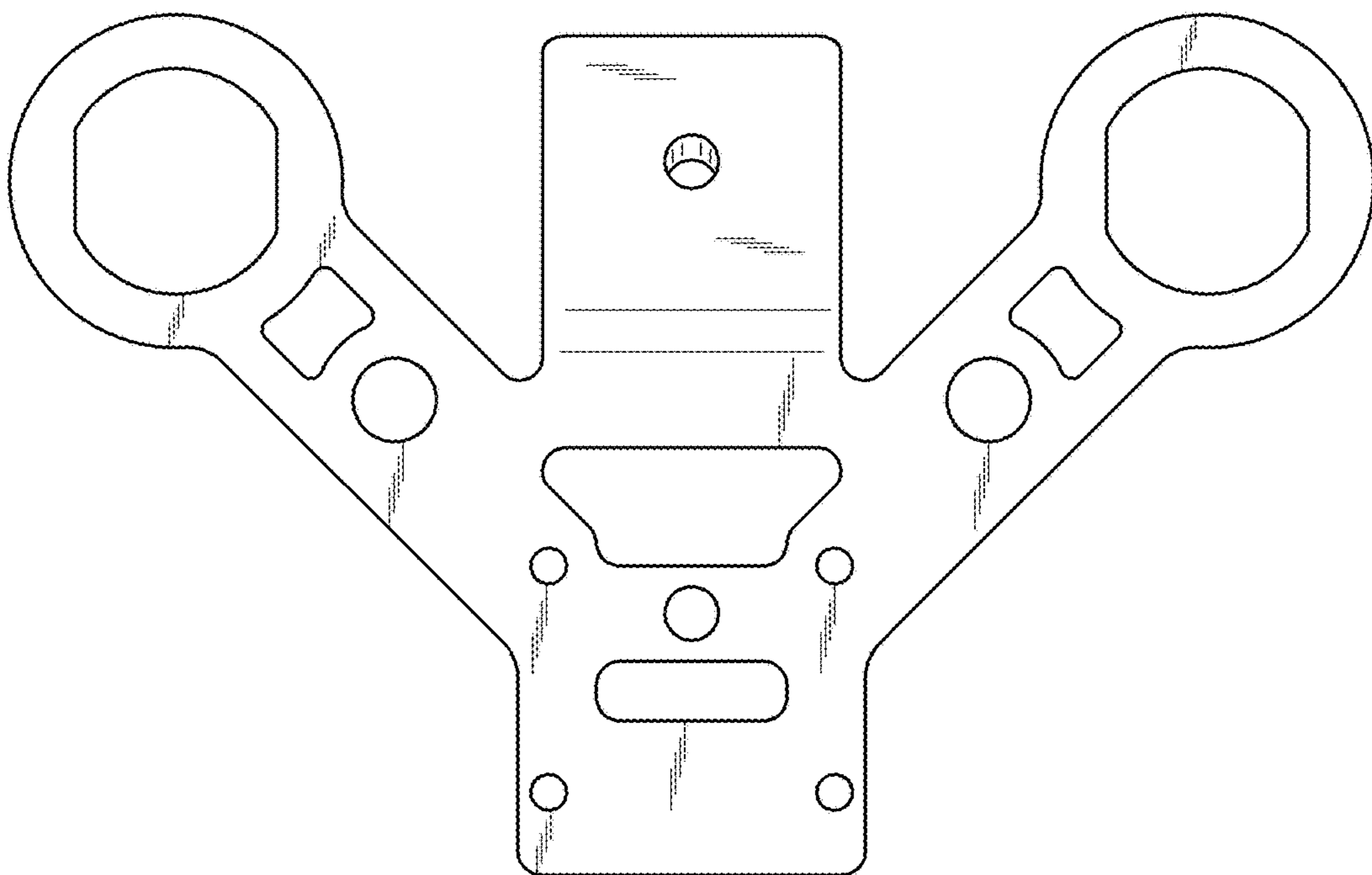


FIG. 3

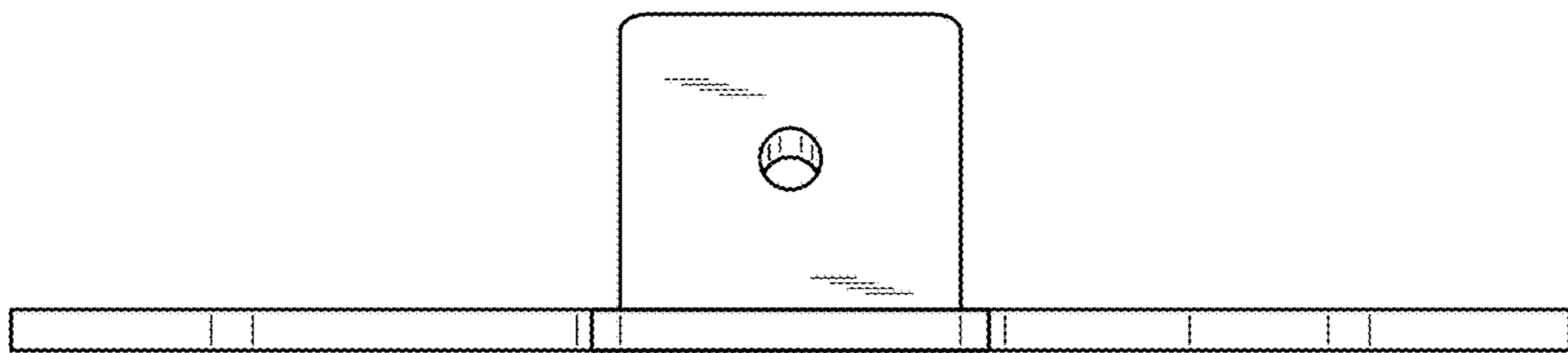


FIG. 5

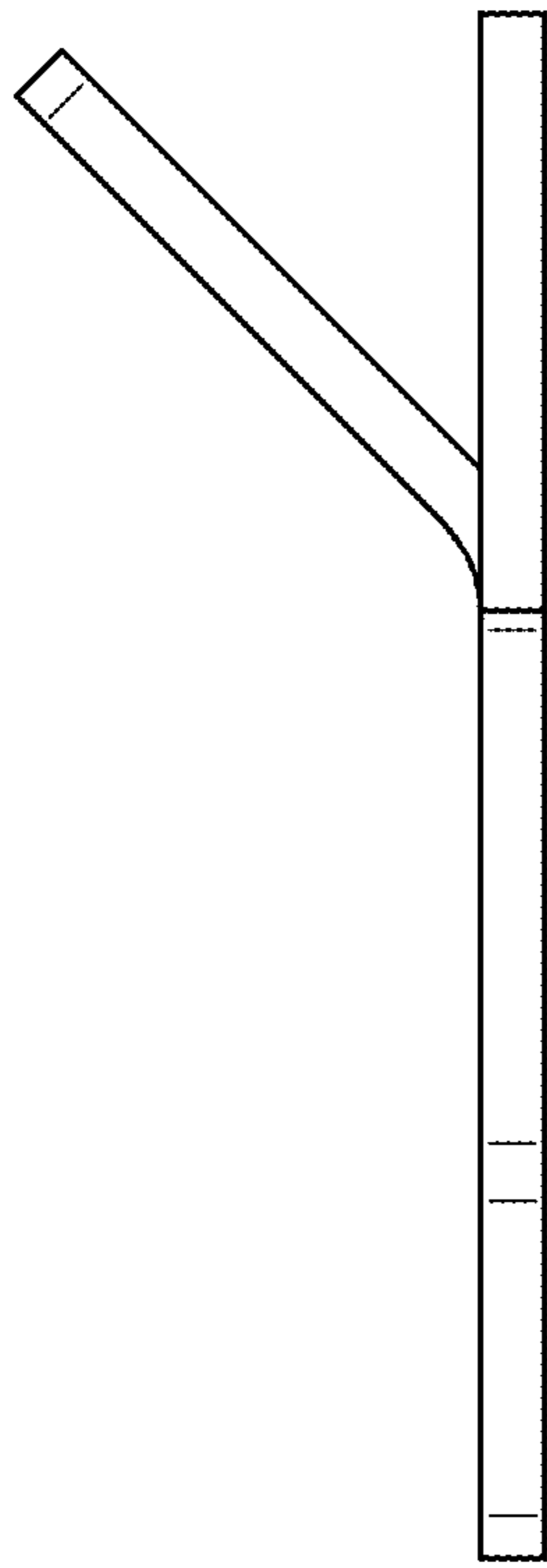


FIG. 6

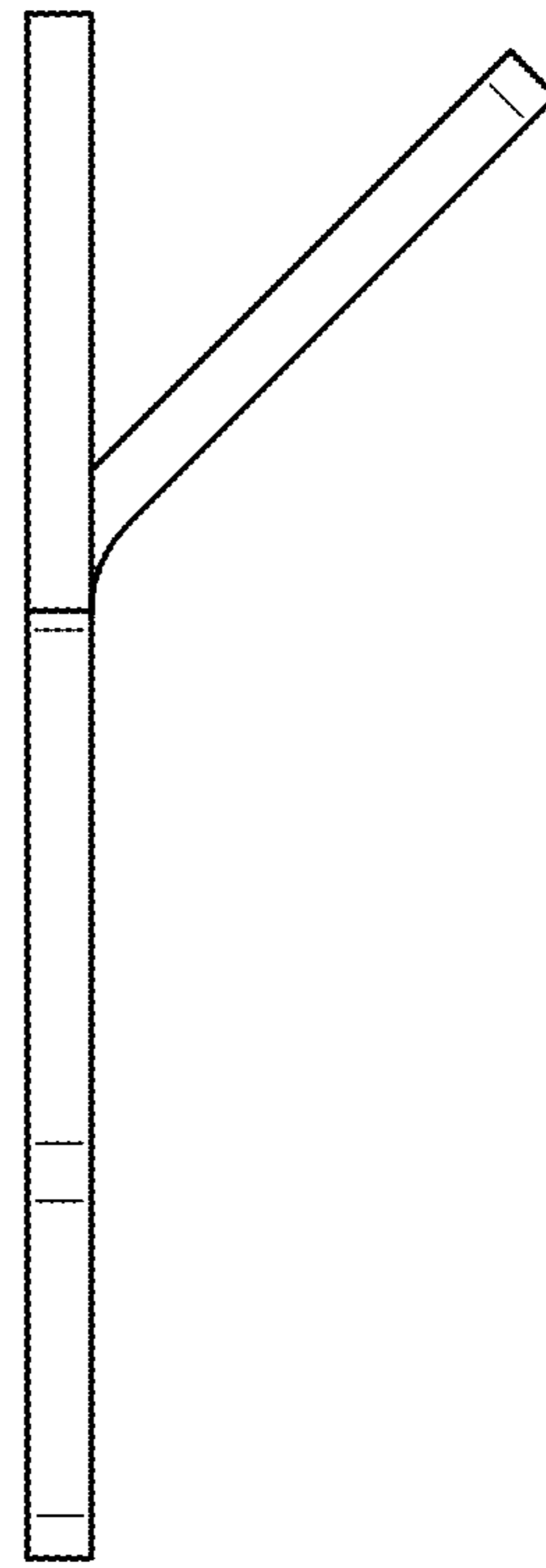


FIG. 7

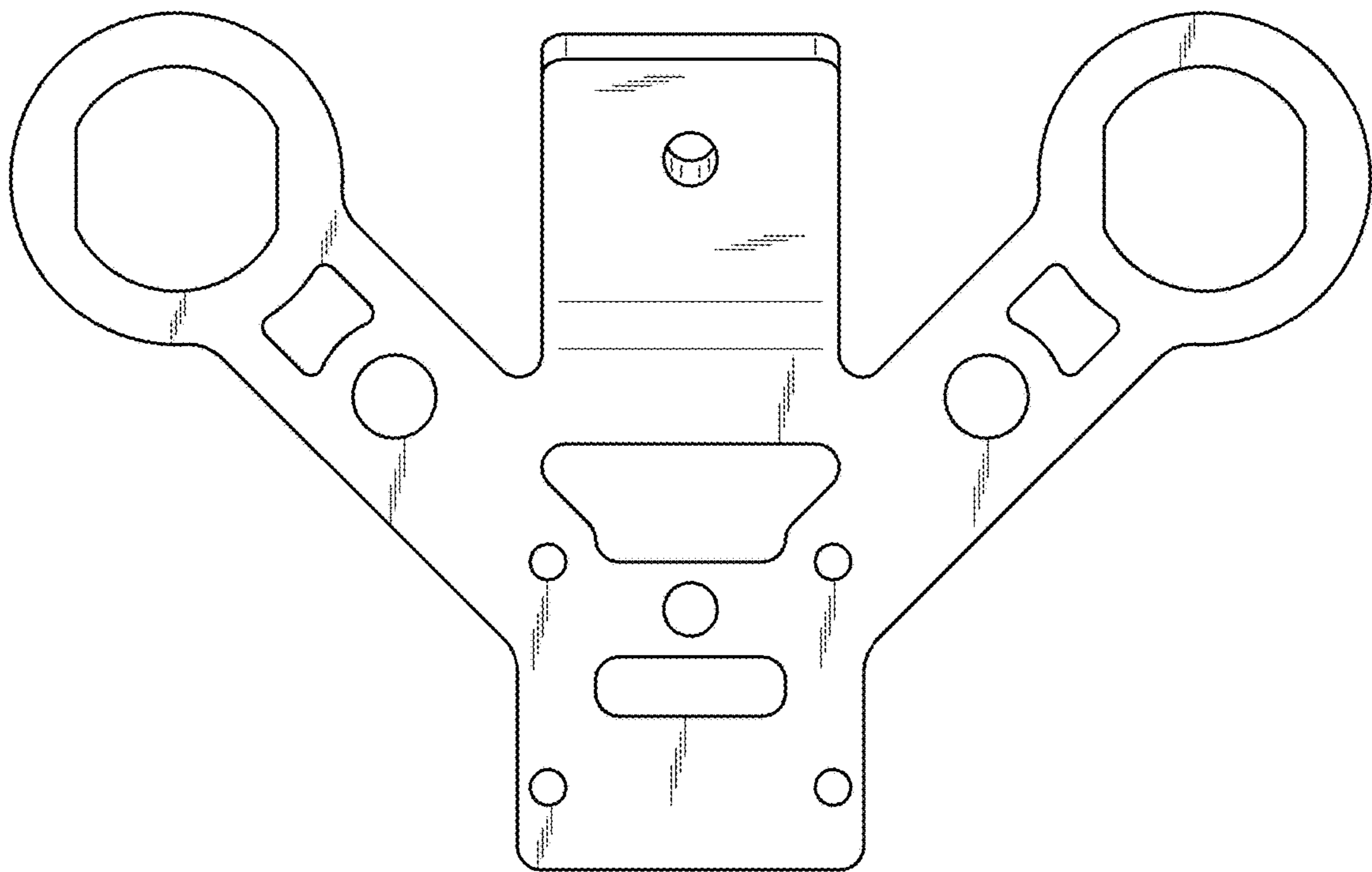


FIG. 8

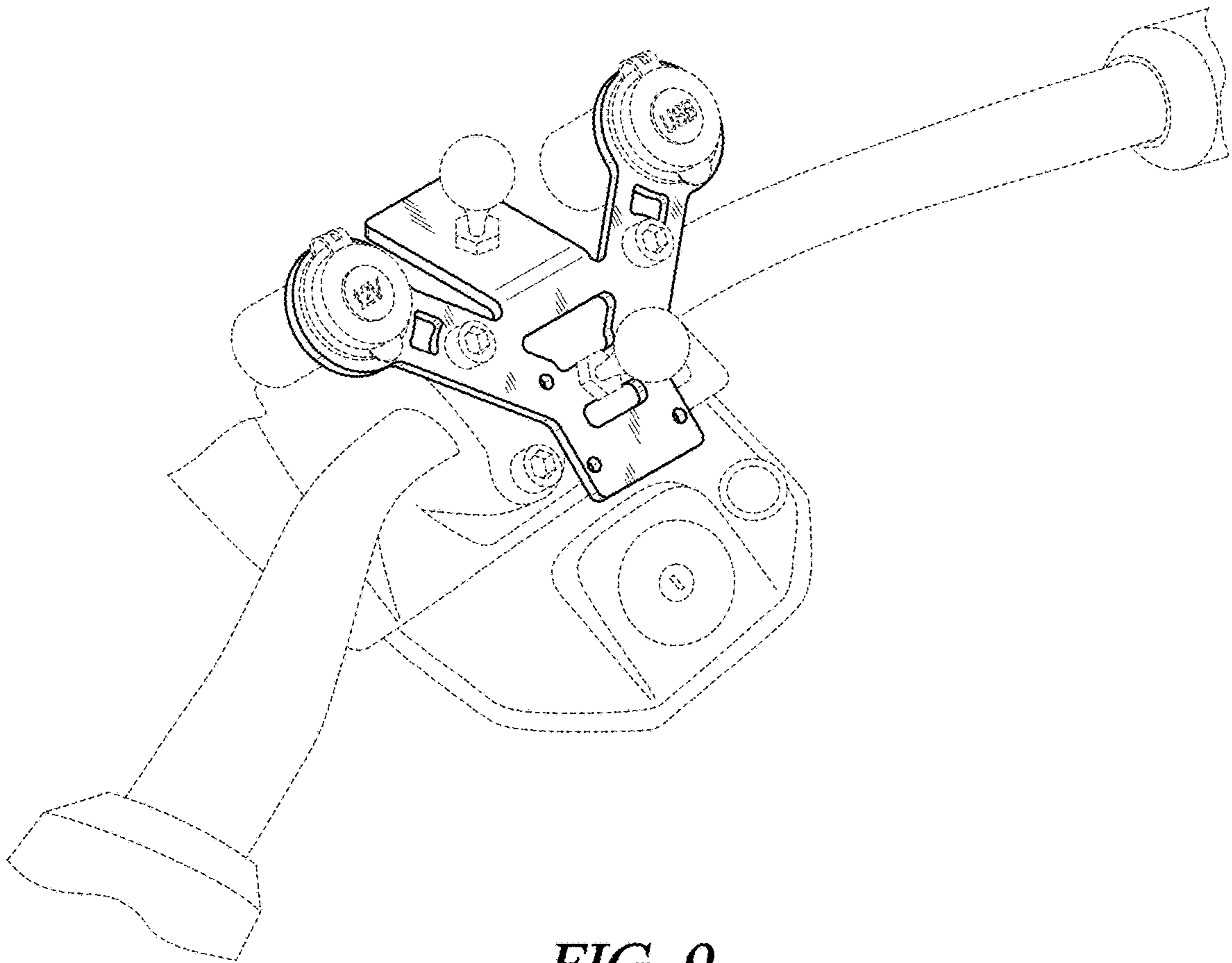


FIG. 9

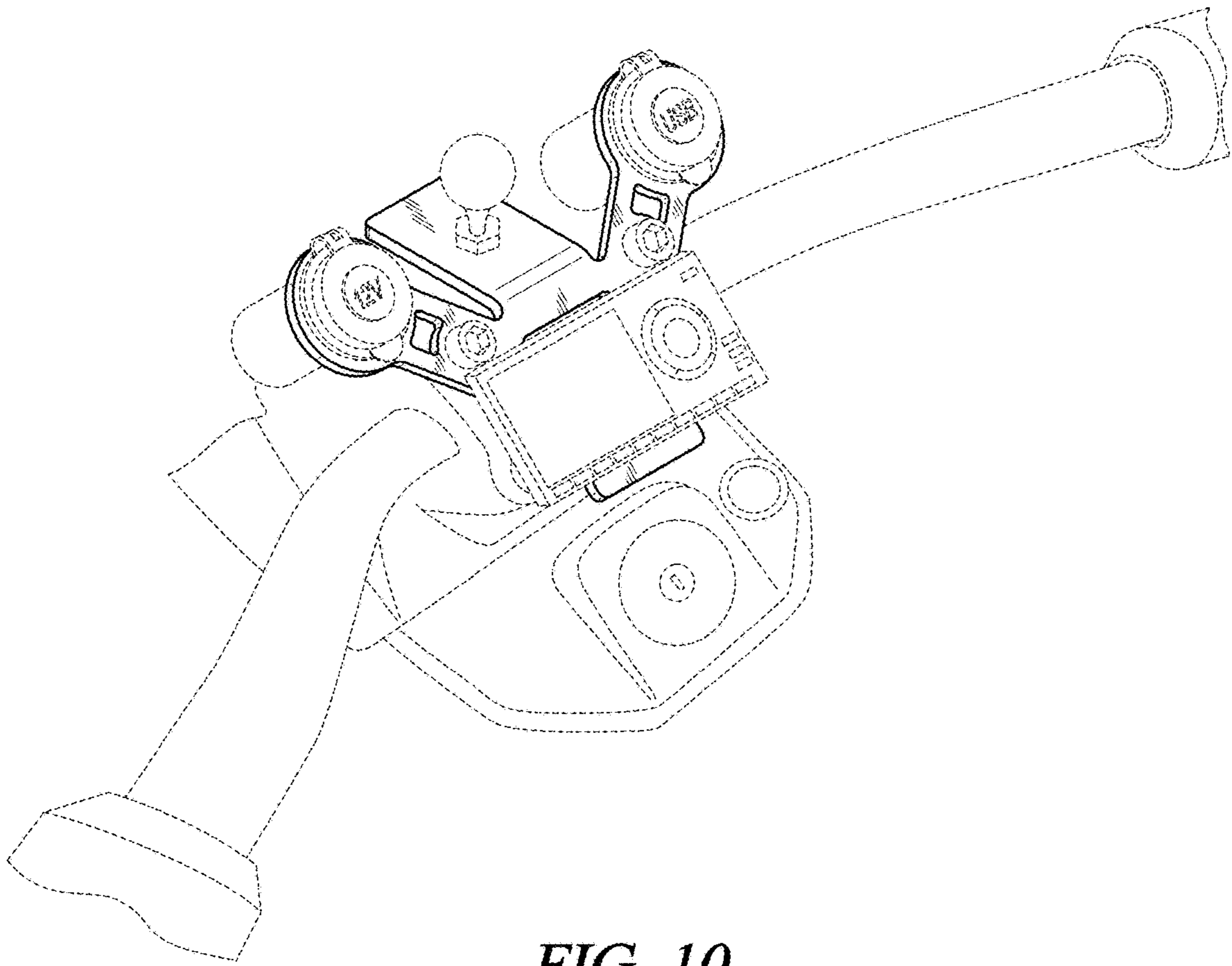


FIG. 10