



US00D825485S

(12) **United States Design Patent**
Wright

(10) **Patent No.:** **US D825,485 S**

(45) **Date of Patent:** **** Aug. 14, 2018**

(54) **CABLE VIBRATION DAMPER**

4,663,496 A * 5/1987 Peek, Jr. H02G 7/14
174/41

(71) Applicant: **Curtis M. Wright**, Dundee, NY (US)

D324,204 S 2/1992 Wright

(72) Inventor: **Curtis M. Wright**, Dundee, NY (US)

D355,410 S * 2/1995 Parker D13/154

D669,439 S * 10/2012 Fujikata D13/148

(**) Term: **15 Years**

* cited by examiner

(21) Appl. No.: **29/557,201**

Primary Examiner — Daniel Bui

(22) Filed: **Mar. 7, 2016**

(74) *Attorney, Agent, or Firm* — Brown & Michaels, PC

(51) **LOC (11) Cl.** **13-03**

(52) **U.S. Cl.**
USPC **D13/154**

(57) **CLAIM**

The ornamental design for a cable vibration damper, as shown and described.

(58) **Field of Classification Search**

USPC D13/123, 133, 146, 147, 148, 149, 154,
D13/184, 199

CPC F16F 7/00; F16F 7/003; F16F 7/08; F16F
7/087; F16F 7/12; F16F 7/122; F16F 7/14

See application file for complete search history.

DESCRIPTION

FIG. 1 is a perspective view of a cable vibration damper showing my new invention;

FIG. 2 is a top plan view thereof;

FIG. 3 is a front elevational view thereof;

FIG. 4 is a bottom plan view thereof; and,

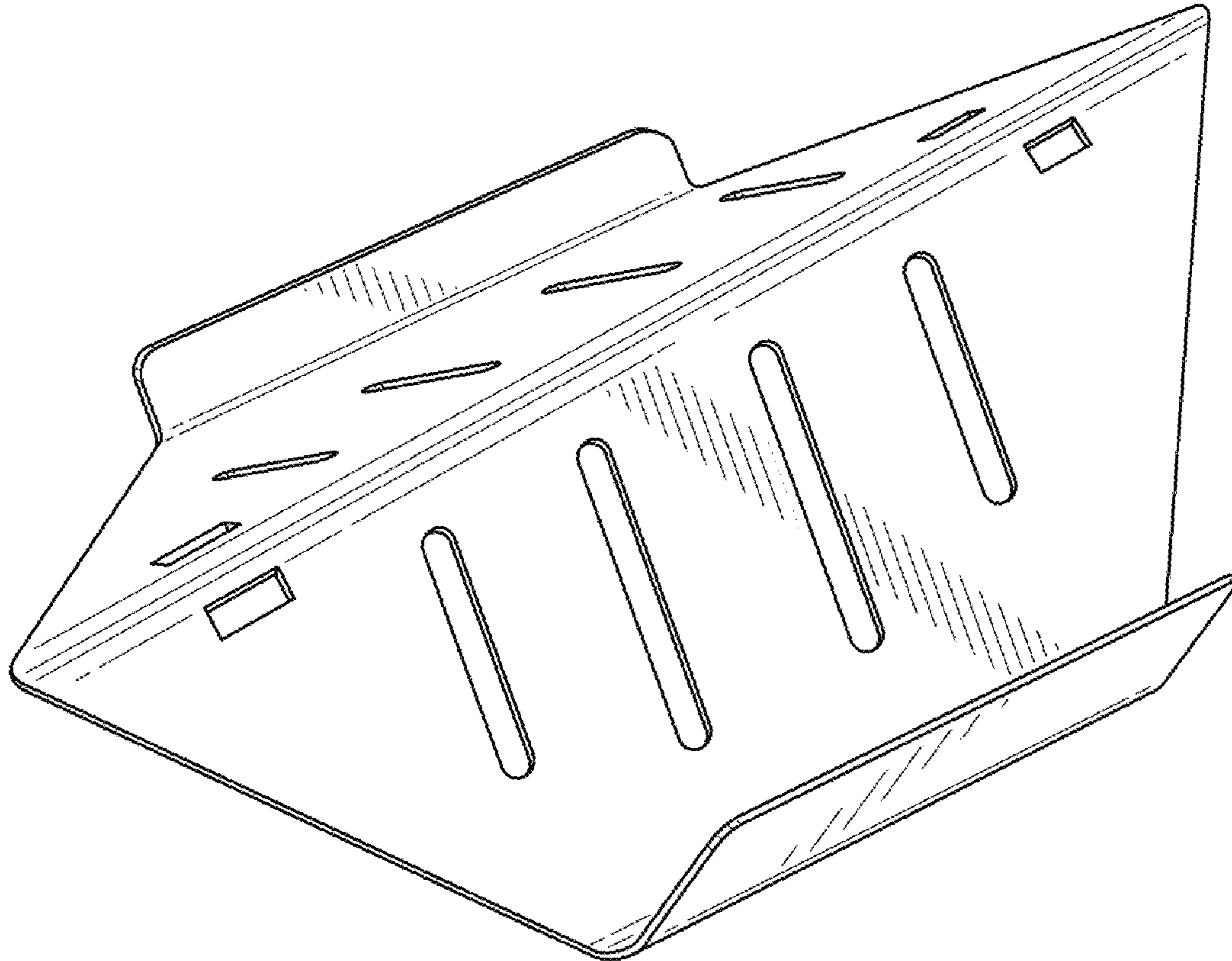
FIG. 5 is a side view thereof.

(56) **References Cited**

U.S. PATENT DOCUMENTS

D207,317 S * 4/1967 Wright 174/42
1,663,496 A 5/1987 Peek, Jr.

1 Claim, 2 Drawing Sheets



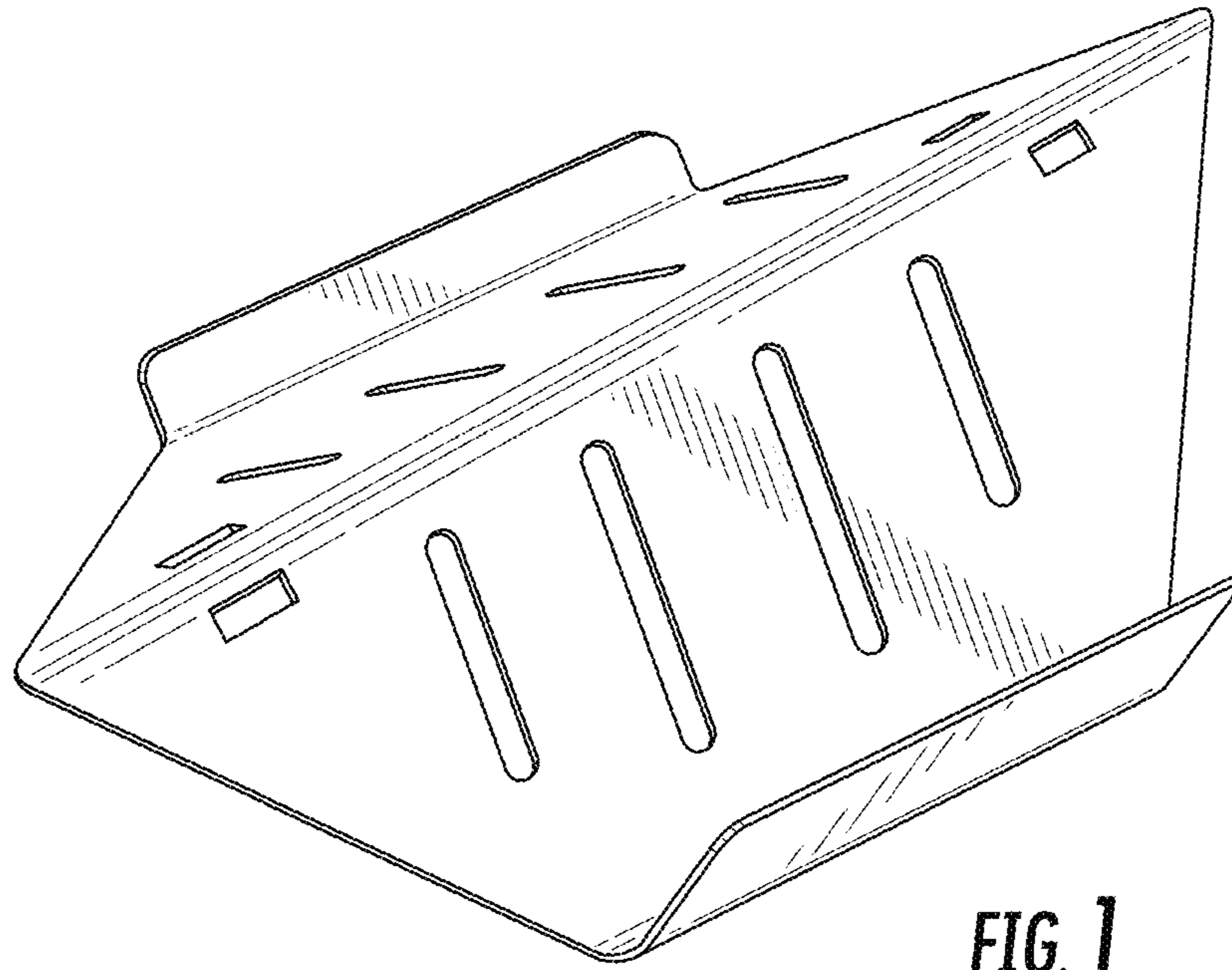


FIG. 1

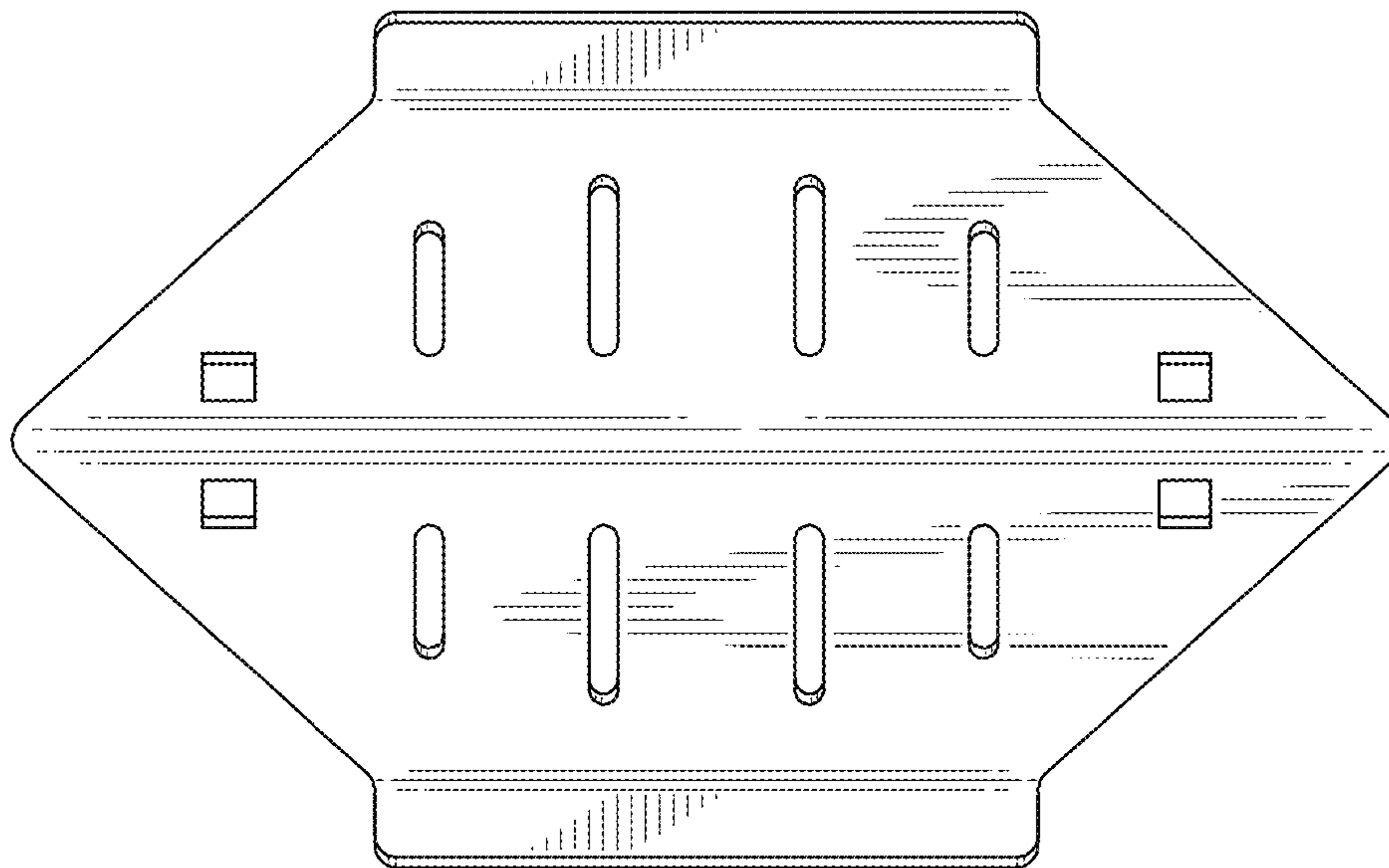


FIG. 2

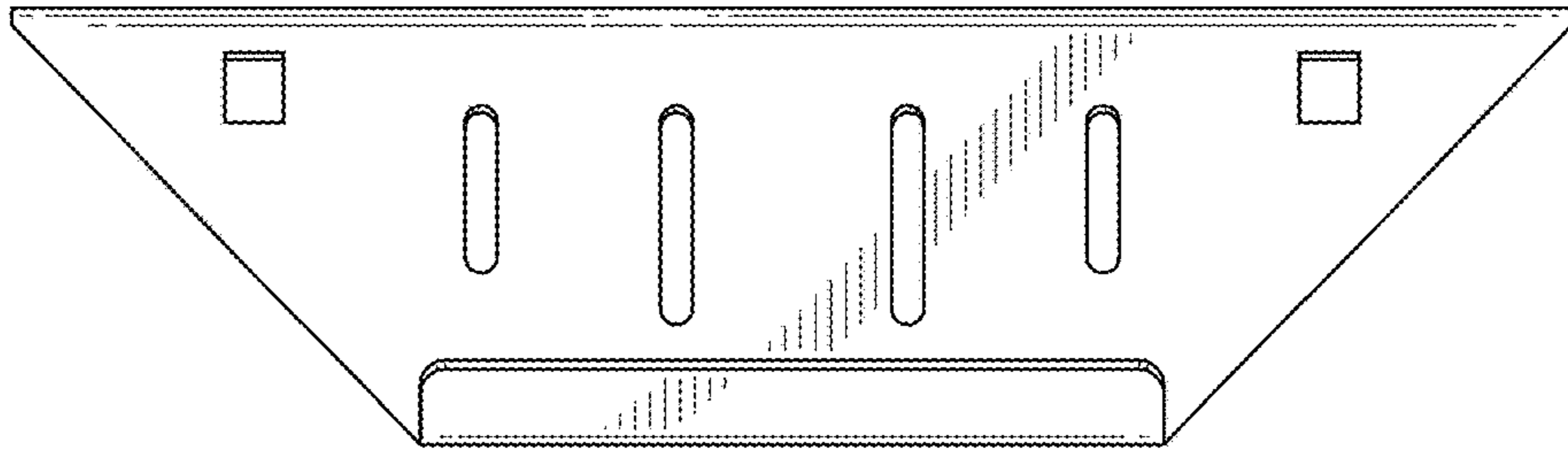


FIG. 3

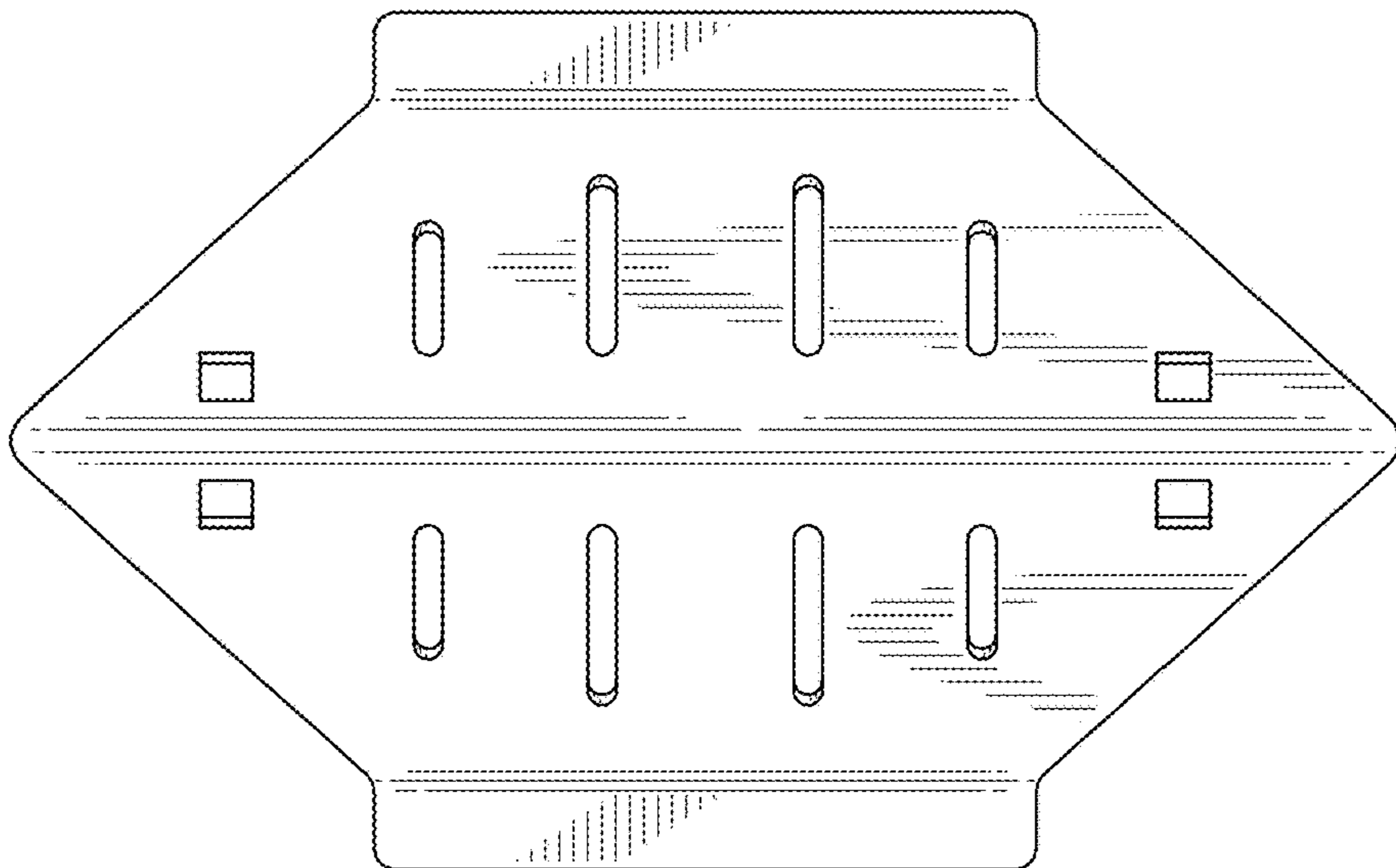


FIG. 4

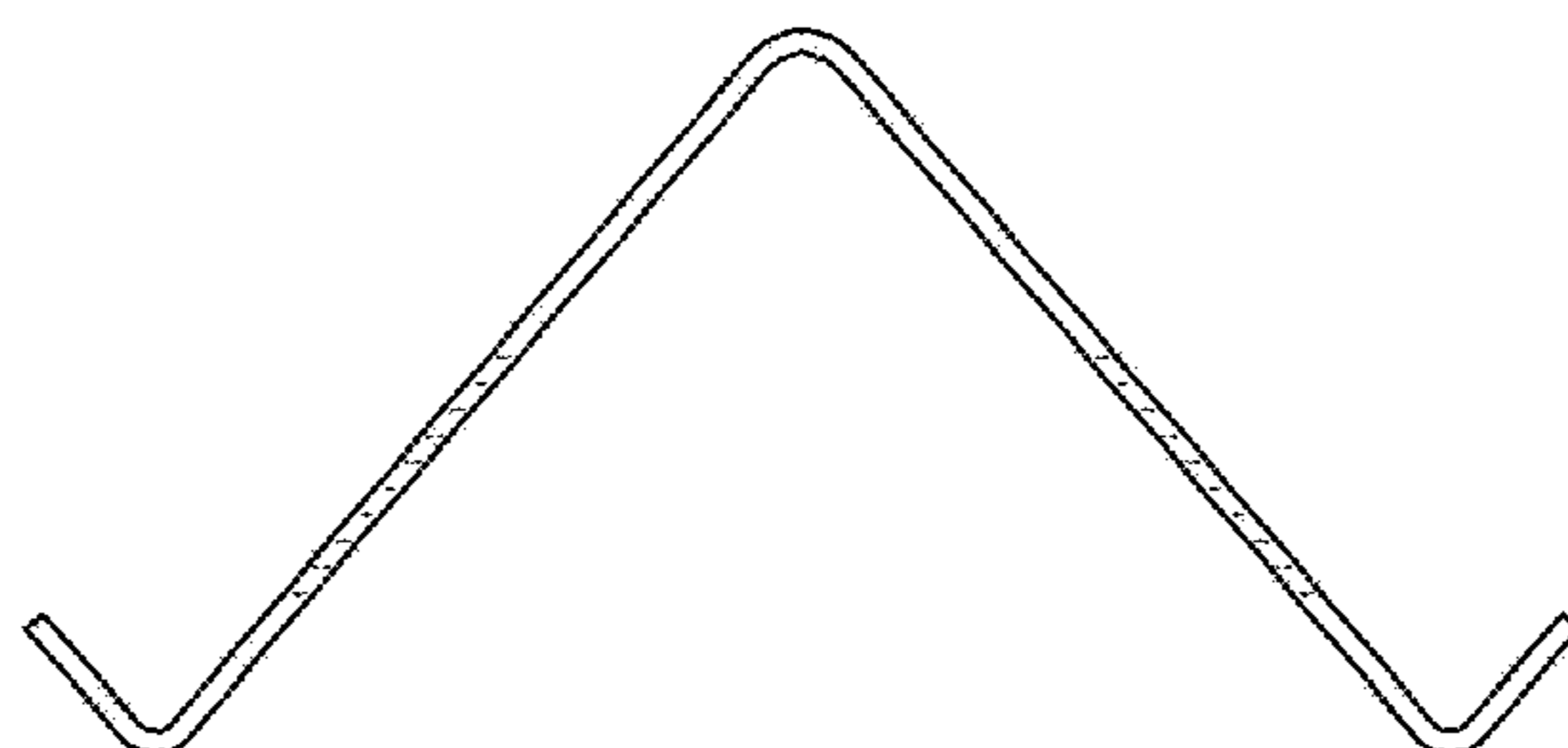


FIG. 5