



US00D825471S

(12) **United States Design Patent** (10) **Patent No.:** **US D825,471 S**
Wang (45) **Date of Patent:** **** Aug. 14, 2018**

(54) **CABLE BREAKOUT ENCLOSURE DESIGN**

(71) Applicant: **CommScope Technologies LLC**,
Hickory, NC (US)

(72) Inventor: **Chi-ming Wang**, Chicago, IL (US)

(73) Assignee: **CommScope Technologies LLC**,
Hickory, NC (US)

(**) Term: **15 Years**

(21) Appl. No.: **29/558,252**

(22) Filed: **Mar. 16, 2016**

(51) **LOC (11) Cl.** **13-03**

(52) **U.S. Cl.**
USPC **D13/147; D13/155**

(58) **Field of Classification Search**
USPC D13/133, 146, 147, 148, 154, 155, 158,
D13/173, 182, 184, 199
CPC G02B 6/38; G02B 6/4416; G02B 6/4471;
H01B 9/005; H02G 3/08; H02G 3/18;
H01R 9/031; H01R 9/032; H01R 9/075;
H01R 12/53; H01R 12/592; H01R 12/62;
H01R 12/72; H01R 12/75; H01R 13/627;
H01R 13/717

See application file for complete search history.

(56) **References Cited**

U.S. PATENT DOCUMENTS

5,938,462 A	8/1999	Wilson et al.	
D443,248 S *	6/2001	Sakasegawa	D13/123
D538,742 S *	3/2007	Pickvet	D13/110
7,292,763 B2	11/2007	Smith	
RE40,358 E	6/2008	Thompson	
7,477,824 B2	1/2009	Reagan et al.	
7,489,849 B2	2/2009	Reagan et al.	

7,805,044 B2	9/2010	Reagan et al.	
7,844,158 B2	11/2010	Gronvall	
8,275,228 B2	9/2012	Livingston et al.	
8,532,490 B2	9/2013	Smith et al.	
8,565,571 B2	10/2013	Kimbrell	
8,792,767 B2	7/2014	Fabrykowski	
8,929,740 B2	1/2015	Smith	
9,069,151 B2	6/2015	Conner	
9,078,287 B2	7/2015	Khemakhem	
9,106,981 B2	8/2015	Vastmans et al.	
9,742,176 B2	8/2017	Wang	
D809,406 S *	2/2018	Seo	D10/49
2005/0163448 A1	7/2005	Blackwell, Jr. et al.	
2005/0175307 A1	8/2005	Batthey et al.	
2006/0153516 A1	7/2006	Napiorkowski et al.	
2009/0134915 A1 *	5/2009	Hwang	H04N 7/108 327/100

* cited by examiner

Primary Examiner — Daniel Bui

(74) *Attorney, Agent, or Firm* — Myers Bigel, P.A.

(57) **CLAIM**

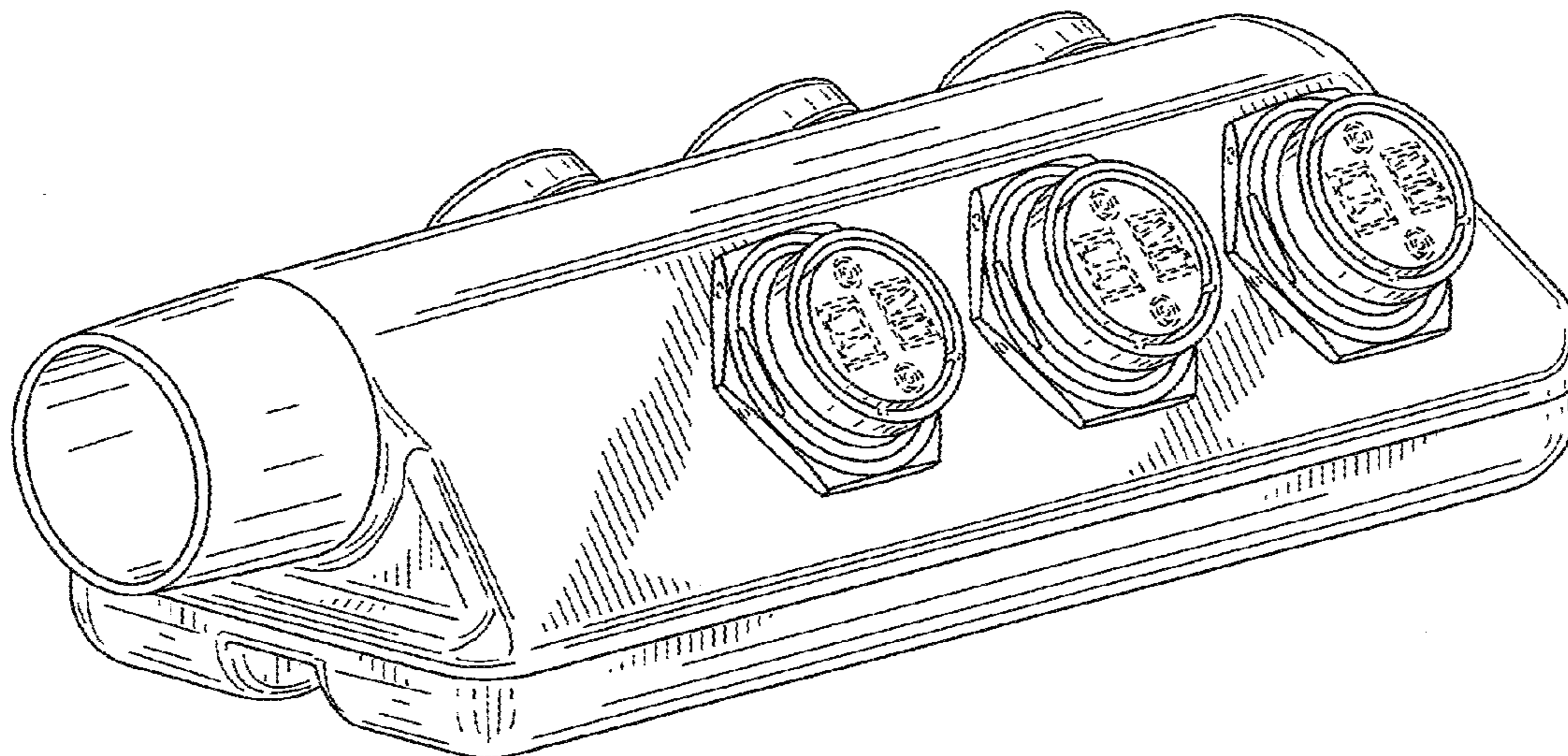
The ornamental design for a cable breakout enclosure design, as shown and described.

DESCRIPTION

FIG. 1 is a front, right and bottom perspective view of a cable breakout enclosure design showing my new design; FIG. 2 is a front elevational view thereof; FIG. 3 is a rear elevational view thereof; FIG. 4 is a left side elevational view thereof; FIG. 5 is a right side elevational view thereof; FIG. 6 is a bottom plan view thereof; and, FIG. 7 is a top plan view thereof.

The broken line in the drawing views represents unclaimed environment and forms no part of the claimed design.

1 Claim, 6 Drawing Sheets



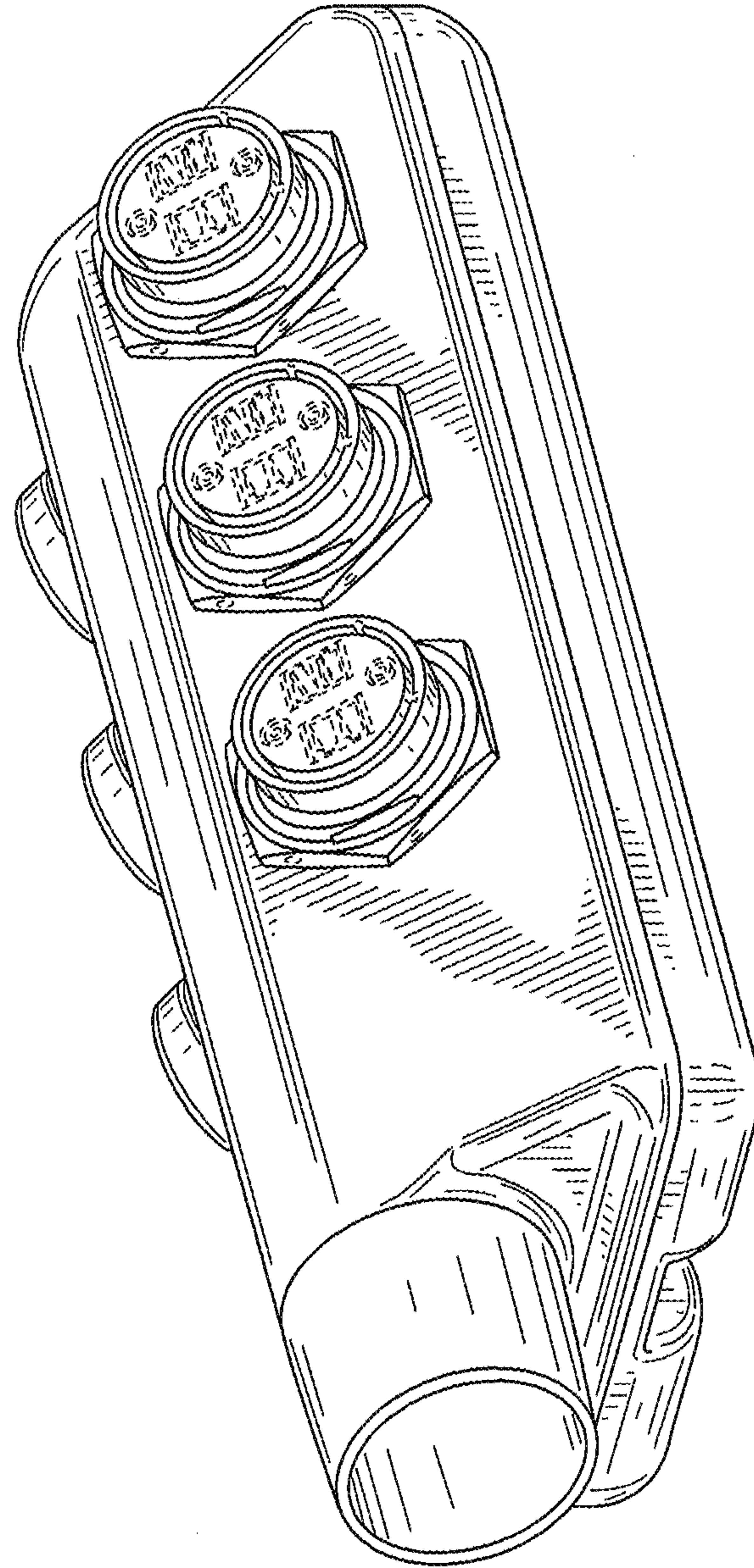


FIG. 1

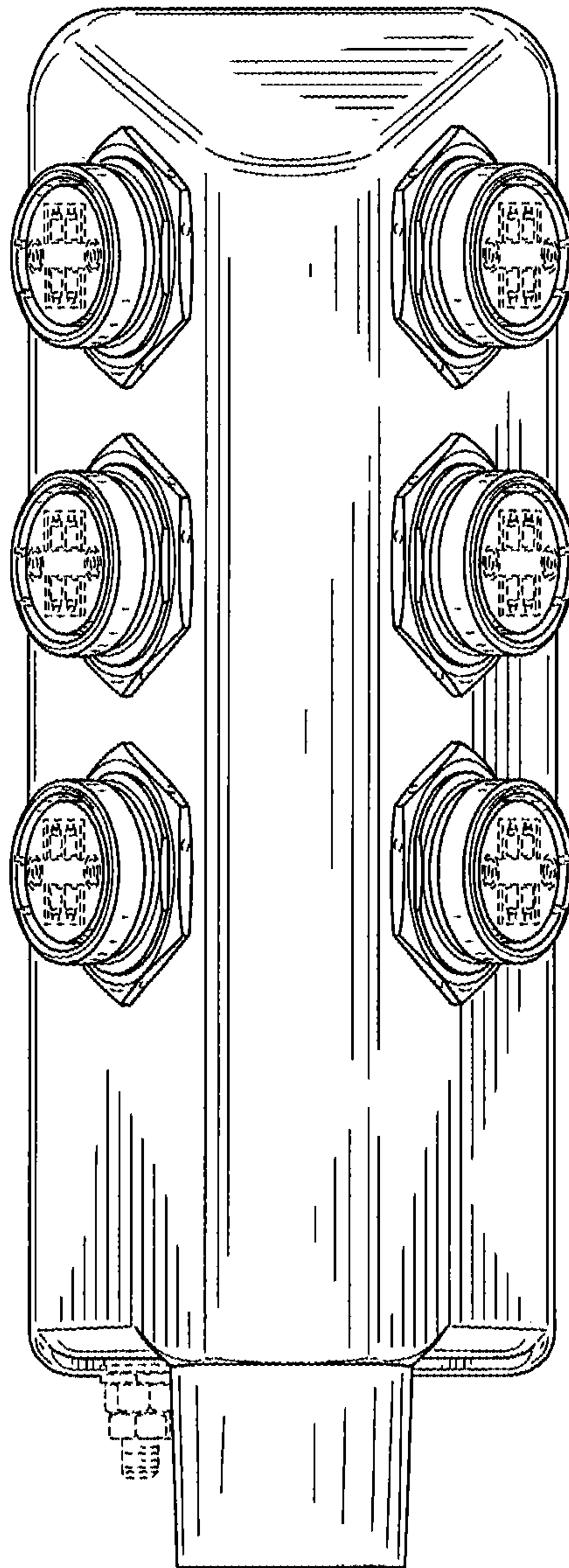


FIG. 2

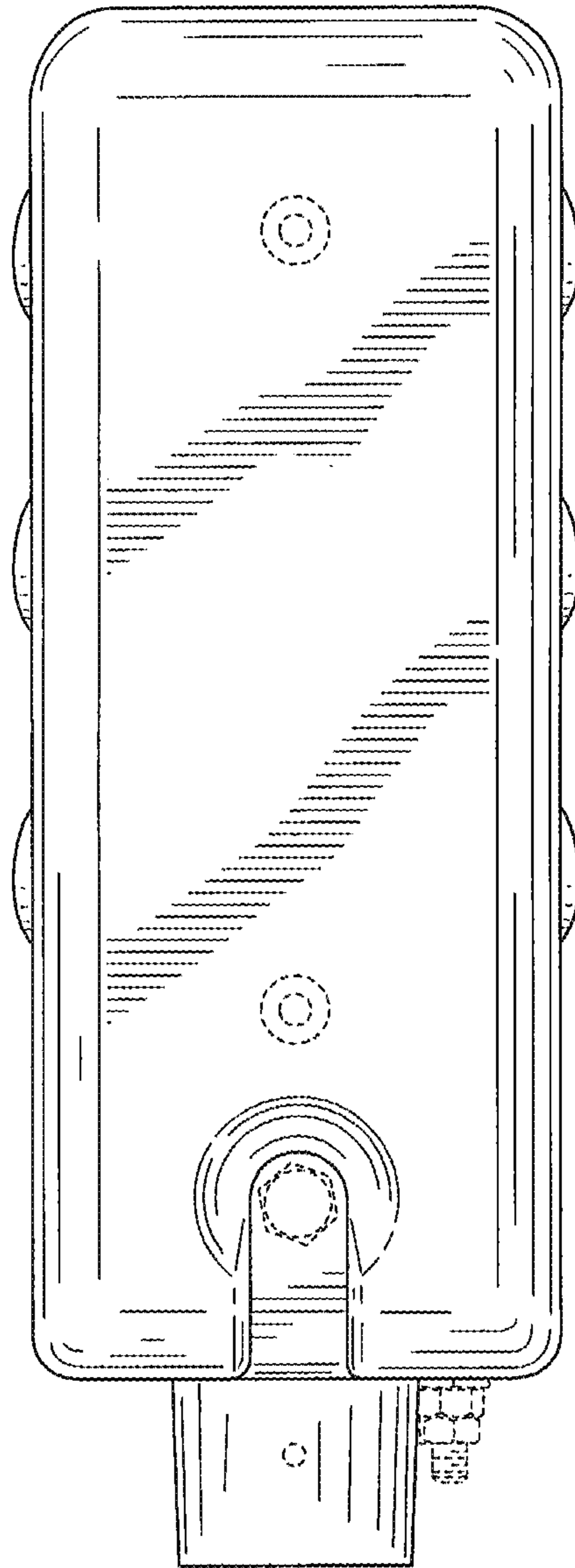


FIG. 3

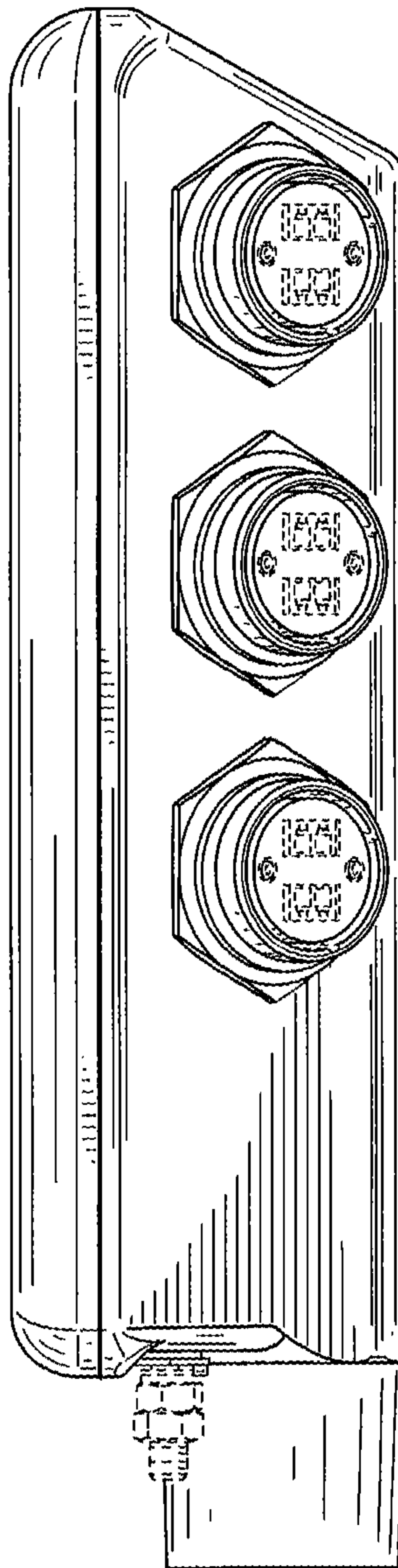


FIG. 4

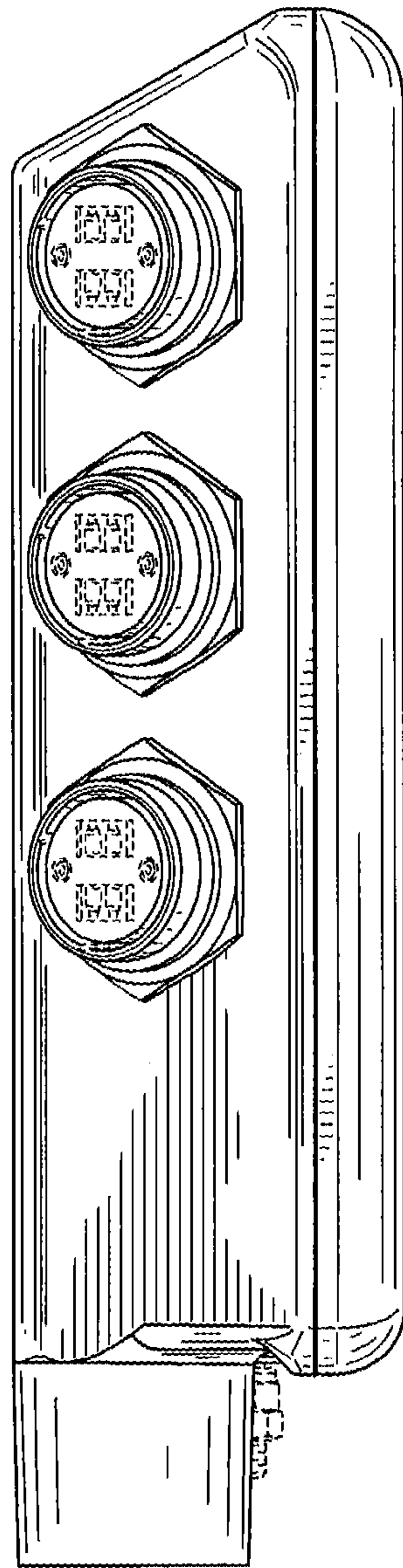


FIG. 5

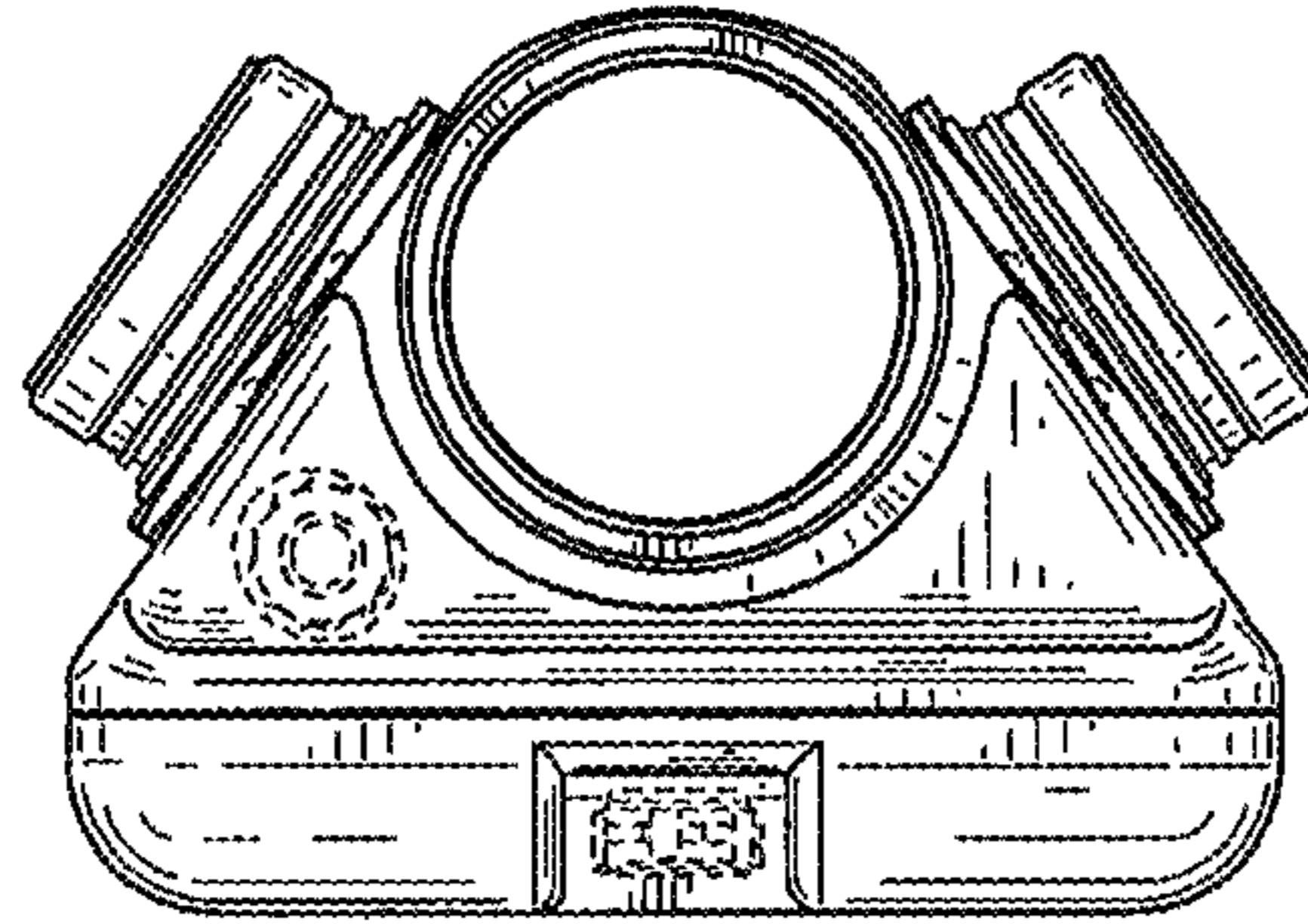


FIG. 6

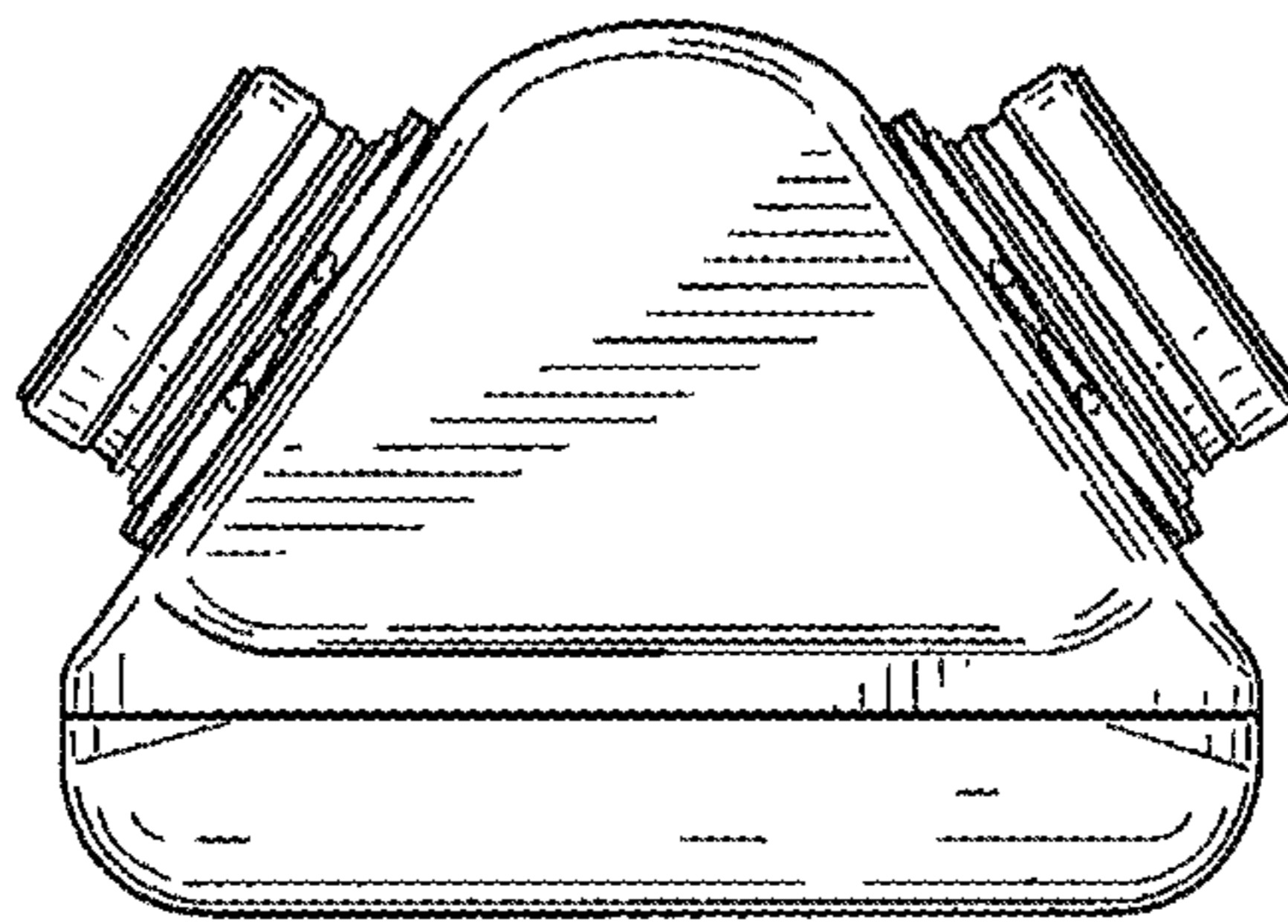


FIG. 7