



US00D825466S

(12) **United States Design Patent** (10) **Patent No.:** **US D825,466 S**  
**Wilcox et al.** (45) **Date of Patent:** **\*\* Aug. 14, 2018**

(54) **TELECOMMUNICATIONS HOUSING WITH SURFACE ORNAMENTATION**

H05K 7/183; H05K 5/00; G11B 33/126; G11B 33/128; G11B 33/08; G11B 33/02;

(Continued)

(71) Applicant: **Corning Optical Communications LLC**, Hickory, NC (US)

(56) **References Cited**

(72) Inventors: **Dayne Wilcox**, Menlo Park, CA (US); **Lea Kobeli**, San Francisco, CA (US); **Marie Noury**, Croix (FR); **Marcelle Van Beusekom**, San Francisco, CA (US)

U.S. PATENT DOCUMENTS

4,773,530 A \* 9/1988 Holtzman ..... B65D 25/04  
206/232  
5,725,146 A \* 3/1998 Luberto ..... B65D 5/6626  
229/120

(Continued)

(73) Assignee: **Corning Optical Communications LLC**, Hickory, NC (US)

OTHER PUBLICATIONS

(\*\*) Term: **15 Years**

Corning Inc., "EDGE™ Housing", [http://catalog.corning.com/opcomm/en-US/catalog/MasterProduct.aspx?cid=EDGE\\_housings\\_web&pid=130469&rot=fiber\\_optic\\_hardware\\_web&context=;CCS\\_Global\\_Web\\_Catalog;fiber\\_optic\\_hardware\\_web;rack\\_mountable\\_hardware\\_web;EDGE\\_hardware\\_web;EDGE\\_housings\\_web](http://catalog.corning.com/opcomm/en-US/catalog/MasterProduct.aspx?cid=EDGE_housings_web&pid=130469&rot=fiber_optic_hardware_web&context=;CCS_Global_Web_Catalog;fiber_optic_hardware_web;rack_mountable_hardware_web;EDGE_hardware_web;EDGE_housings_web), Apr. 19, 2016.

(21) Appl. No.: **29/551,695**

(22) Filed: **Jan. 15, 2016**

(51) **LOC (11) Cl.** ..... **13-03**

(52) **U.S. Cl.**  
USPC ..... **D13/133**; D13/123; D13/158

*Primary Examiner* — Jennifer Rivard  
*Assistant Examiner* — Catherine S Posthauer

(58) **Field of Classification Search**  
USPC ..... D3/326; D5/1, 3, 20, 56, 57, 59, 60, 62, D5/63; D6/634, 635, 667, 675, 683, 703; D7/396.4, 546, 549, 550.1, 601, 602, 607, D7/609, 703; D9/414, 415, 416, 418, D9/420, 423, 424, 425, 432, 433, 434, D9/435, 456, 457, 500, 502–505, 516, D9/549, 550, 552, 556, 558, 561, 563, D9/571, 600, 630, 652, 690, 702, 703, D9/713, 748, 751, 756, 758, 759, 760, D9/761, 762, 763, 770, 772, 773, 901, D9/902; D14/188, 240, 300, 301, 308, D14/313, 314, 348–356, 364–368, D14/441–446, 485, 486, 488–489; D13/123, 133, 158, 162, 184, 194; D19/1, 27, 28; D20/10, 11, 22, 23, 27, D20/28, 29, 40, 42

CPC ..... G06F 1/181; G06F 1/187; G06F 1/183; G06F 1/184; H05K 7/16; H05K 7/1424; H05K 7/1409; H05K 7/20545; H05K 7/20727; H05K 7/1425; H05K 7/1486;

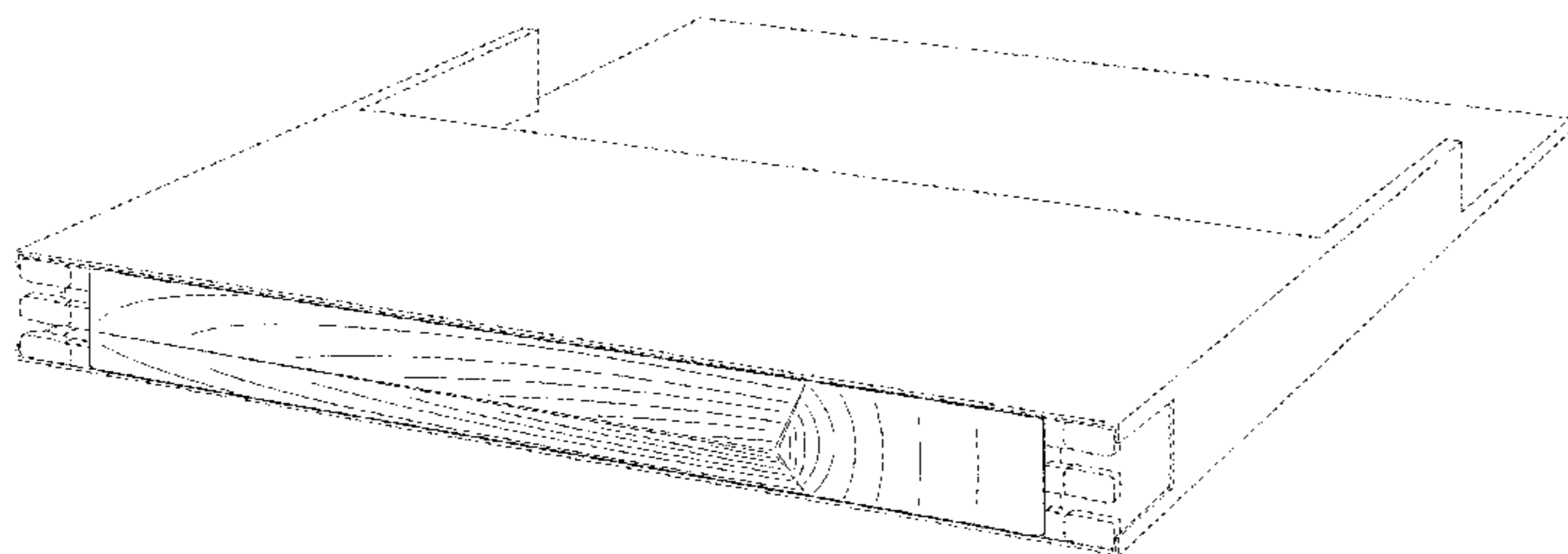
(57) **CLAIM**

The ornamental design for a telecommunications housing with surface ornamentation, as shown and described.

**DESCRIPTION**

FIG. 1 is a front perspective view of a telecommunications housing with surface ornamentation showing our new design;  
FIG. 2 is a front view thereof;  
FIG. 3 is a rear view thereof;  
FIG. 4 is a right view thereof;  
FIG. 5 is a left view thereof;  
FIG. 6 is a top view thereof; and,  
FIG. 7 is a bottom view thereof.

(Continued)



The broken lines in the drawings are included for the purpose of illustrating environmental structure and form no part of the claimed design.

**1 Claim, 4 Drawing Sheets**

**(58) Field of Classification Search**

CPC ..... B65D 5/00-5/02; B65D 5/0209-5/0272;  
 B65D 5/029; B65D 5/40; B65D 5/72;  
 B65D 5/541; B65D 5/727; B65D 5/705;  
 B65D 5/706; B65D 5/4204; B65D 1/00;  
 B65D 1/02; B65D 1/0223; B65D 1/22;  
 B65D 1/32; B65D 1/36; B65D 1/40;  
 B65D 1/225; B65D 23/00; B65D 23/12;  
 B65D 23/14; B65D 2203/00; B65D  
 2203/02; B65D 2501/0009; B65D  
 2543/00296; B65D 77/24; B65D 15/08;  
 B65D 65/22; B65D 2577/205; B65D  
 79/00; B65D 81/00; B65D 82/00; B65D  
 85/00; B65D 2585/00; A45D 40/22;  
 G02B 6/4463; G02B 6/443; G02B 6/44

See application file for complete search history.

**(56) References Cited**

**U.S. PATENT DOCUMENTS**

5,784,252 A \* 7/1998 Villa ..... G06F 1/184  
 361/679.58

D449,299 S 10/2001 Lord  
 D449,824 S 10/2001 Higa et al.  
 D450,686 S 11/2001 Beaumont et al.  
 D471,543 S 3/2003 Yang et al.  
 D476,764 S 7/2003 Khovaylo et al.  
 D484,469 S 12/2003 Thibault  
 D515,095 S \* 2/2006 Breitbarth ..... D14/441  
 D540,788 S \* 4/2007 McIntosh ..... D14/301  
 D549,663 S 8/2007 Tsou et al.  
 D552,081 S 10/2007 Yano  
 D564,523 S \* 3/2008 Chen ..... D14/442  
 D571,736 S 6/2008 Copeland et al.  
 D593,102 S \* 5/2009 Dearborn ..... D14/313  
 D616,815 S 6/2010 Jadraque Aznarez et al.  
 D620,898 S 8/2010 Wang  
 D625,719 S 10/2010 Carroll et al.  
 D631,448 S 1/2011 Wang

7,864,520 B1 \* 1/2011 Liu ..... G06F 1/181  
 361/679.33

D637,162 S 5/2011 Bridgman  
 D644,185 S 8/2011 Hargreaves  
 D650,785 S \* 12/2011 Terwilliger ..... D14/441  
 D674,785 S 1/2013 Kyriakides, II  
 D675,160 S \* 1/2013 Tanaka ..... D13/110  
 D682,280 S \* 5/2013 Vaughan ..... D14/444  
 D688,657 S 8/2013 Hallar et al.  
 D697,513 S 1/2014 Morooka et al.  
 D700,612 S \* 3/2014 Kuehn ..... D14/444  
 D701,199 S \* 3/2014 Drew ..... D14/301  
 D714,136 S \* 9/2014 Stepanov ..... D9/432  
 D719,128 S \* 12/2014 Teulie ..... D14/188  
 D719,958 S \* 12/2014 Dallmeyer ..... D14/441  
 D720,693 S 1/2015 Dasbach  
 D720,694 S 1/2015 Dasbach  
 D721,035 S 1/2015 Dasbach  
 D722,021 S 2/2015 Dasbach  
 D722,022 S 2/2015 Dasbach  
 D723,566 S 3/2015 Ferguson et al.  
 D724,079 S \* 3/2015 Probst ..... D14/348  
 D732,010 S 6/2015 Hsiau  
 D732,041 S 6/2015 Conn et al.  
 D733,118 S \* 6/2015 Ng ..... D14/313  
 D740,293 S \* 10/2015 Kuehn ..... D14/444  
 D754,096 S \* 4/2016 Teulie ..... D14/188  
 D754,667 S \* 4/2016 Kwon ..... D14/445  
 D755,780 S \* 5/2016 Lin ..... D14/301  
 D758,969 S \* 6/2016 Kato ..... D13/123  
 D761,247 S \* 7/2016 Otsuka ..... D14/313  
 D765,657 S \* 9/2016 Lucaci ..... D14/349  
 D767,545 S \* 9/2016 Jeon ..... D14/240  
 D767,546 S \* 9/2016 Kwak ..... D14/240  
 D784,288 S \* 4/2017 Teulie ..... D14/188  
 D784,319 S \* 4/2017 Wallace ..... D14/301  
 D784,320 S \* 4/2017 Wallace ..... D14/301  
 D791,774 S \* 7/2017 Wilcox ..... D14/444  
 D794,566 S \* 8/2017 Nada ..... D13/123  
 D795,244 S \* 8/2017 Zimmermann ..... D14/313

2002/0179700 A1 \* 12/2002 Waldburger ..... B65D 5/0254  
 229/129.1

2003/0151891 A1 \* 8/2003 Paul ..... G06F 1/184  
 361/679.61

2003/0235030 A1 \* 12/2003 Kwong ..... G06F 1/184  
 361/679.33

2015/0033953 A1 2/2015 Fung et al.  
 2015/0049435 A1 \* 2/2015 Fan ..... H05K 7/20727  
 361/695

\* cited by examiner

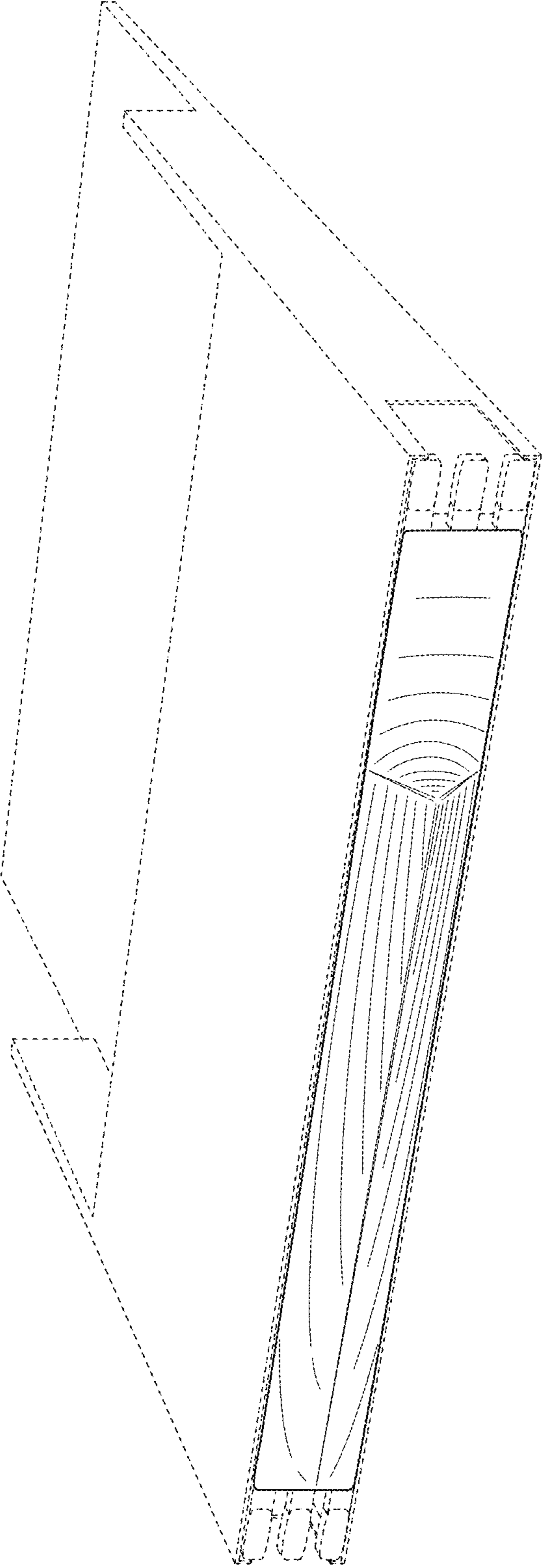


FIG. 1

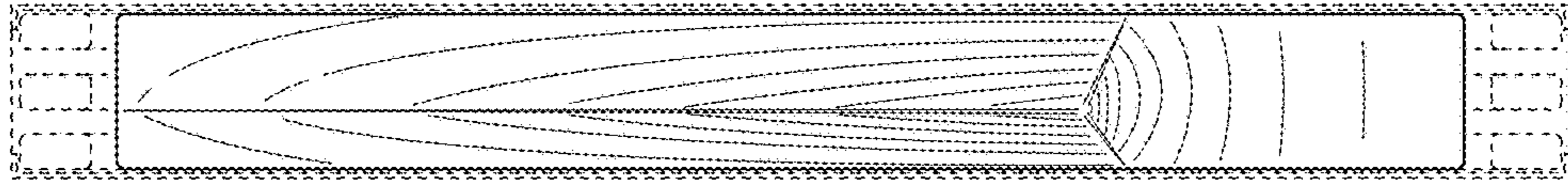


FIG. 2



FIG. 3



FIG. 4

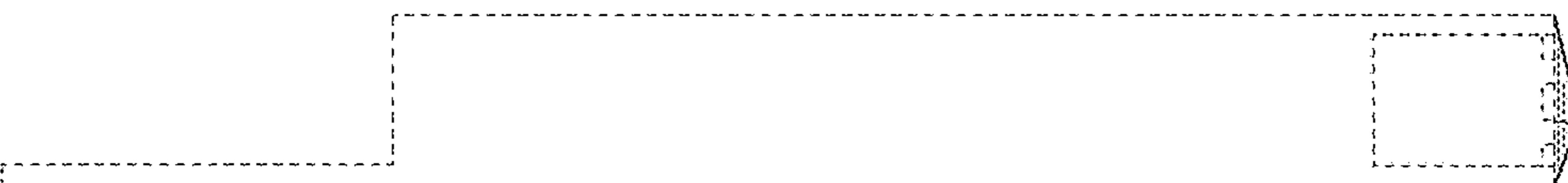


FIG. 5

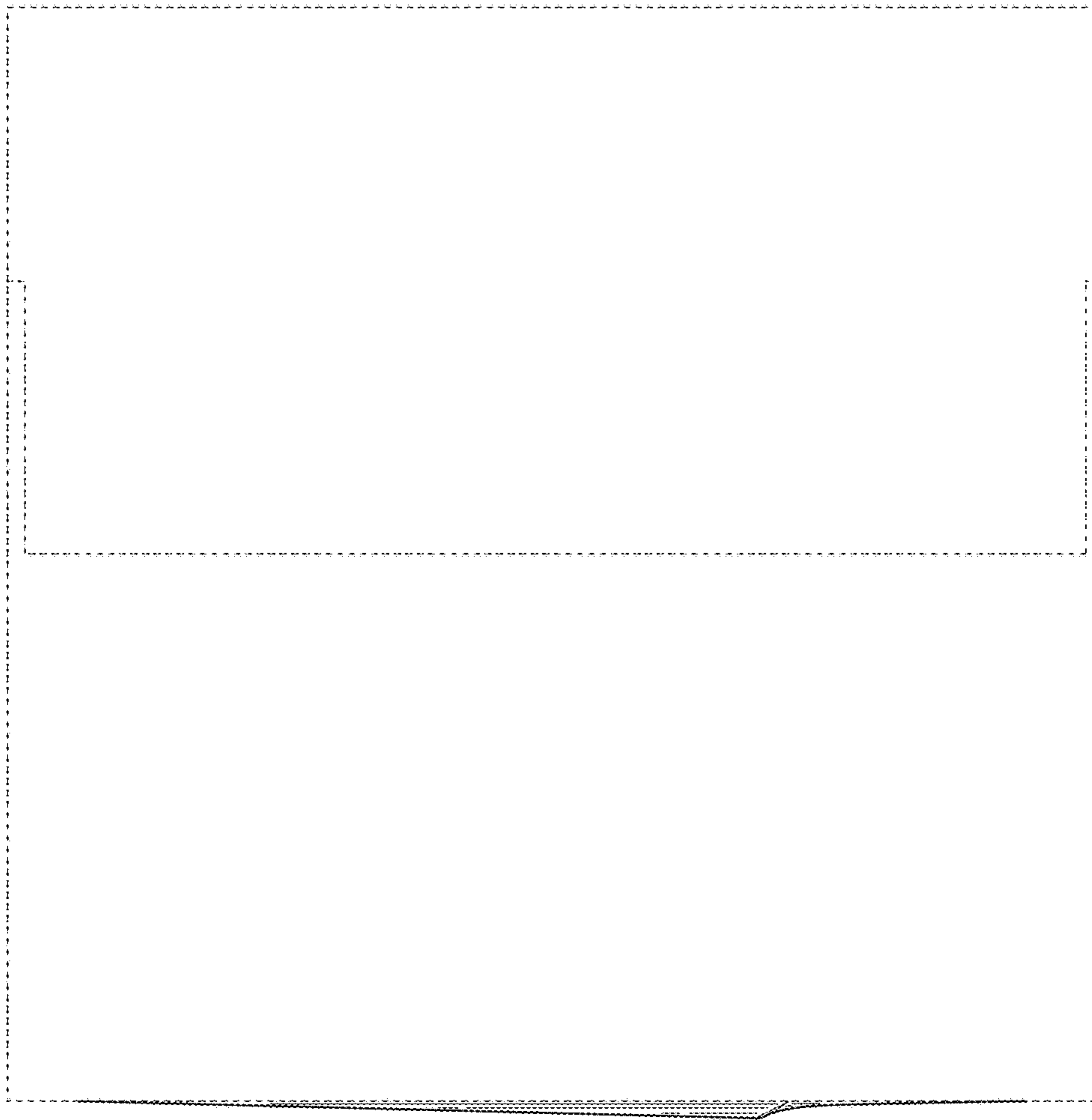
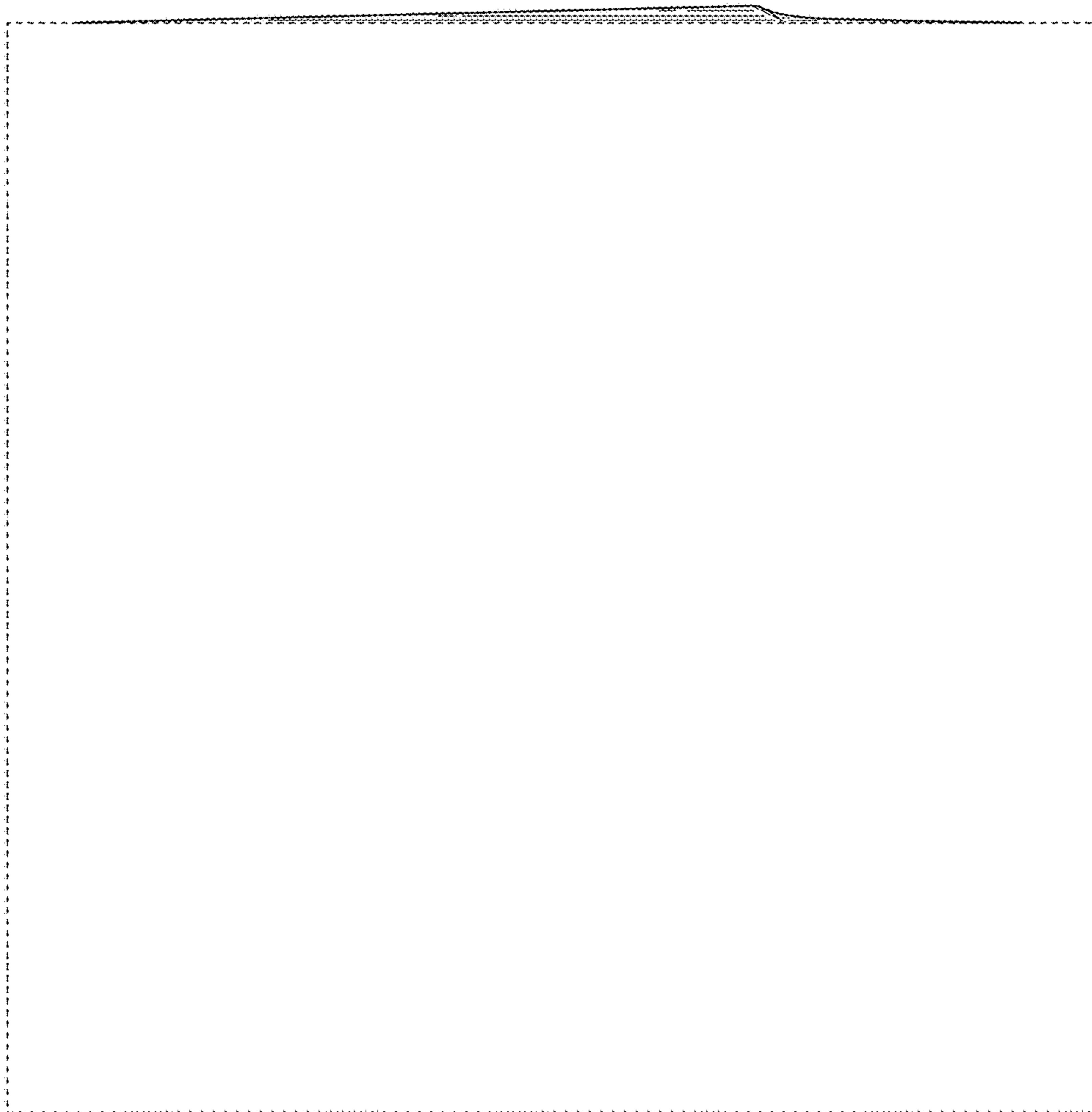


FIG. 6



**FIG. 7**