



US00D825465S

(12) **United States Design Patent** (10) **Patent No.:** **US D825,465 S**
Deng (45) **Date of Patent:** **** Aug. 14, 2018**

(54) **BATTERY BOX**
(71) Applicant: **Haibo Deng**, Guangdong (CN)
(72) Inventor: **Haibo Deng**, Guangdong (CN)
(**) Term: **15 Years**
(21) Appl. No.: **29/616,970**

D593,970 S * 6/2009 Sonntag D13/184
7,625,667 B2 * 12/2009 Marty E03C 1/055
137/613
D686,157 S * 7/2013 Kawase D13/119
8,836,524 B2 * 9/2014 Dai H01M 6/5033
324/525
D759,590 S * 6/2016 Wang D13/119
D774,651 S * 12/2016 Kaib D24/186
D776,253 S * 1/2017 Li D24/108
D785,567 S 5/2017 Abena et al.
9,893,330 B2 * 2/2018 Lam H01M 10/425

(22) Filed: **Sep. 11, 2017**
(51) **LOC (11) Cl.** **13-02**
(52) **U.S. Cl.**
USPC **D13/119**
(58) **Field of Classification Search**
USPC D13/102-106, 110, 118-119, 184;
D14/356, 432
CPC Y02E 60/12; Y02E 60/122; Y02E 60/124;
Y02E 60/50; H01M 2/02; H01M 2/022;
H01M 2/0202; H01M 2/0207; H01M
2/0212; H01M 2/1061; H01M 2/1022;
H01M 2/1055; H01M 2/1066; H01M
2/105; H01M 2/204; H01M 2/1016;
H01M 2200/00; H01M 10/4257; H01M
10/0436; H01M 10/48; H01M 10/42
See application file for complete search history.

FOREIGN PATENT DOCUMENTS

CA 107428 11/2005
CN 301294571 S 7/2010
EM 000076799-0001 12/2003

* cited by examiner

Primary Examiner — Rosemary K Tarcza
Assistant Examiner — Nathaniel D. Buckner
(74) *Attorney, Agent, or Firm* — Li-Jen Shen

(57) **CLAIM**

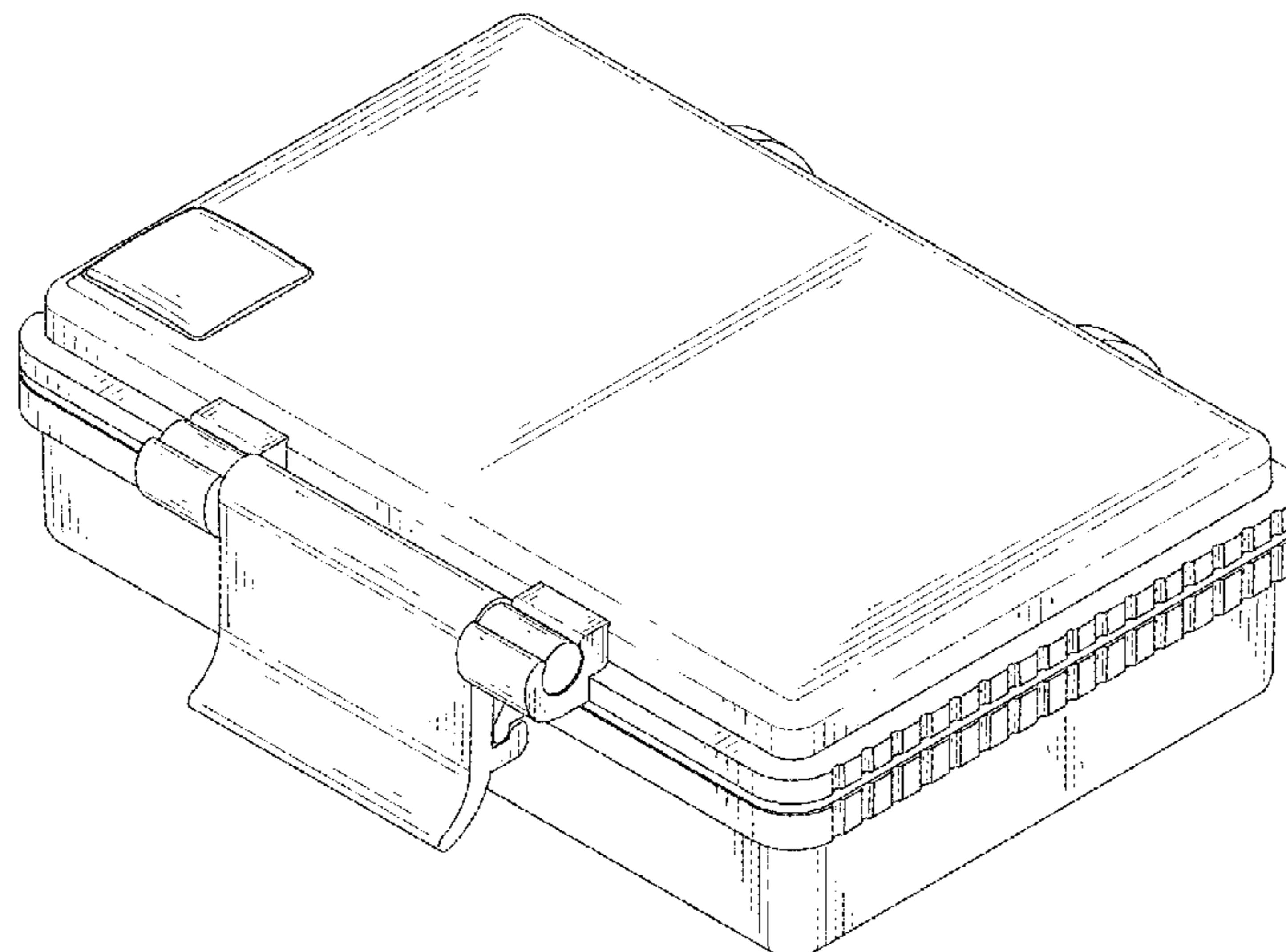
The ornamental design for a battery box, as shown and described.

DESCRIPTION

FIG. 1 is a first perspective view of a battery box showing my new design;
FIG. 2 is a second perspective view thereof;
FIG. 3 is a front elevational view thereof;
FIG. 4 is a rear elevational view thereof;
FIG. 5 is a left side view thereof;
FIG. 6 is a right side view thereof;
FIG. 7 is a top plan view thereof; and,
FIG. 8 is a bottom plan view thereof.
The broken lines in the drawings depict portions of the article that form no part of the claimed design.

1 Claim, 8 Drawing Sheets

(56) **References Cited**
U.S. PATENT DOCUMENTS
D130,619 S 12/1941 Kendall et al.
D190,733 S 6/1961 Becker
D252,354 S 7/1979 Uyeda
D329,634 S 9/1992 Mizusugi et al.
D423,459 S * 4/2000 Takase D13/152
D449,577 S 10/2001 Nishio et al.
D511,343 S * 11/2005 Solomon D14/356
D517,479 S * 3/2006 Schemm D13/103
D517,987 S 3/2006 Castagnola et al.
D517,988 S * 3/2006 Ihde D13/103
D580,373 S * 11/2008 Stange D13/162



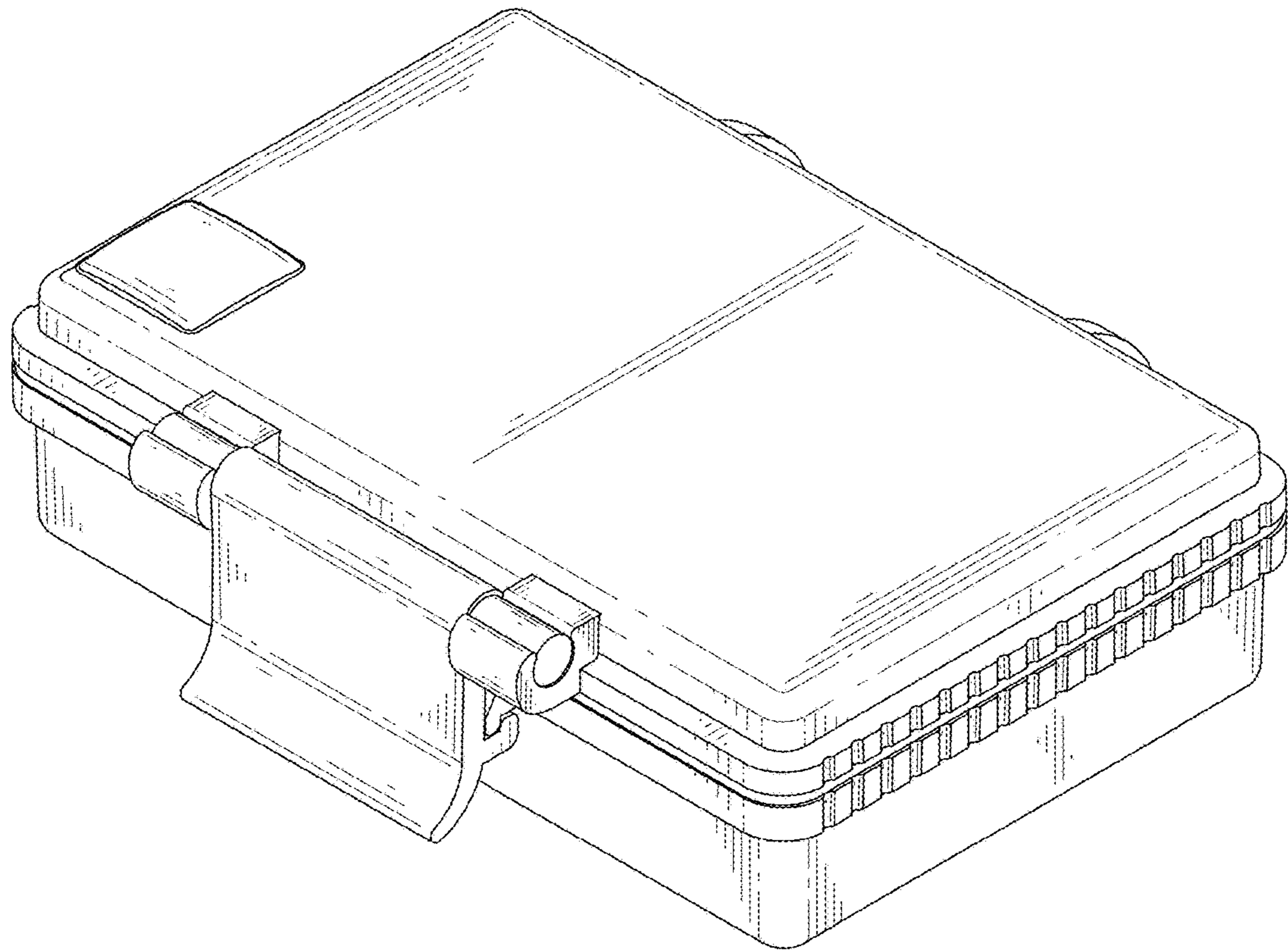


FIG. 1

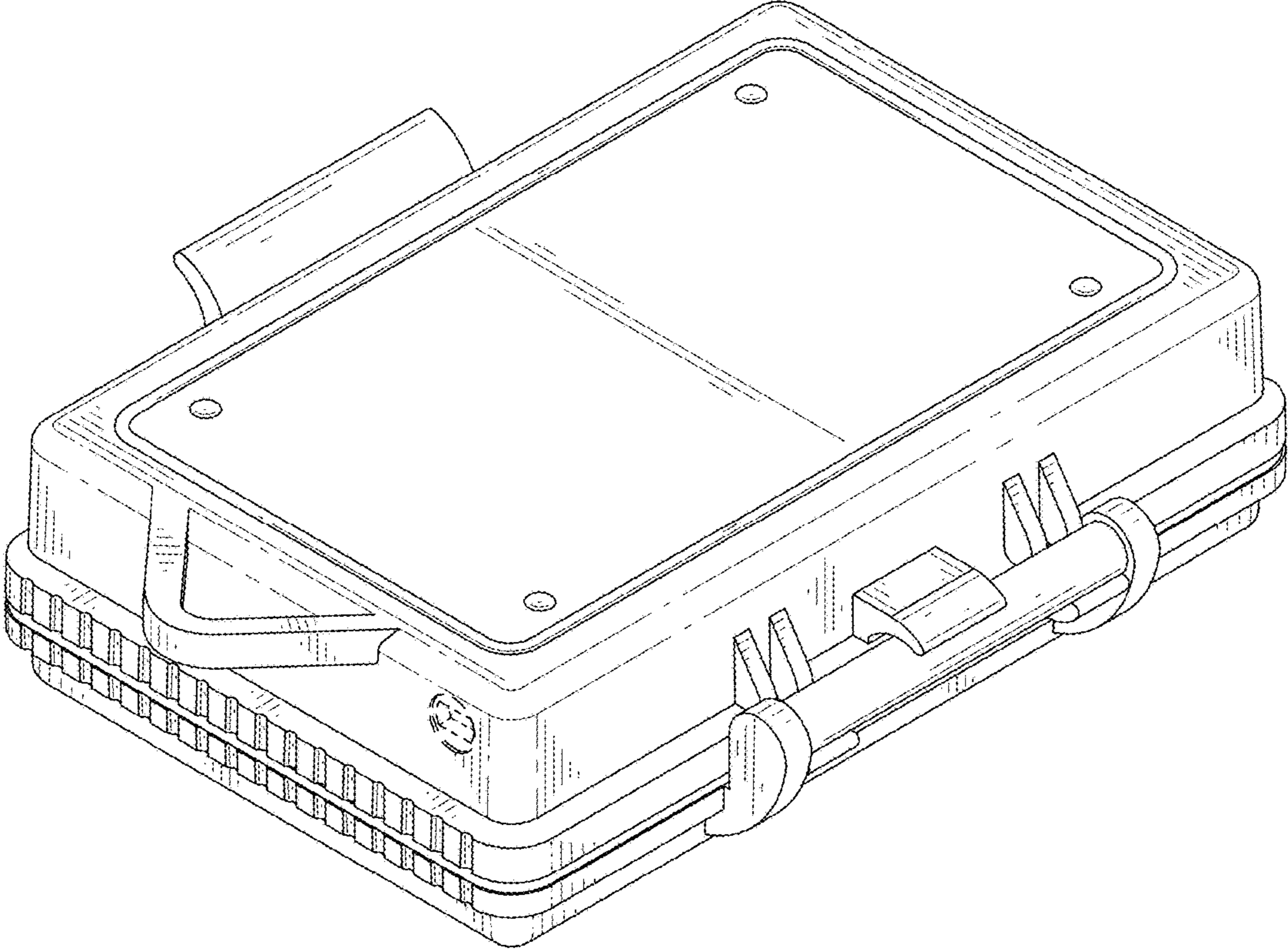


FIG. 2

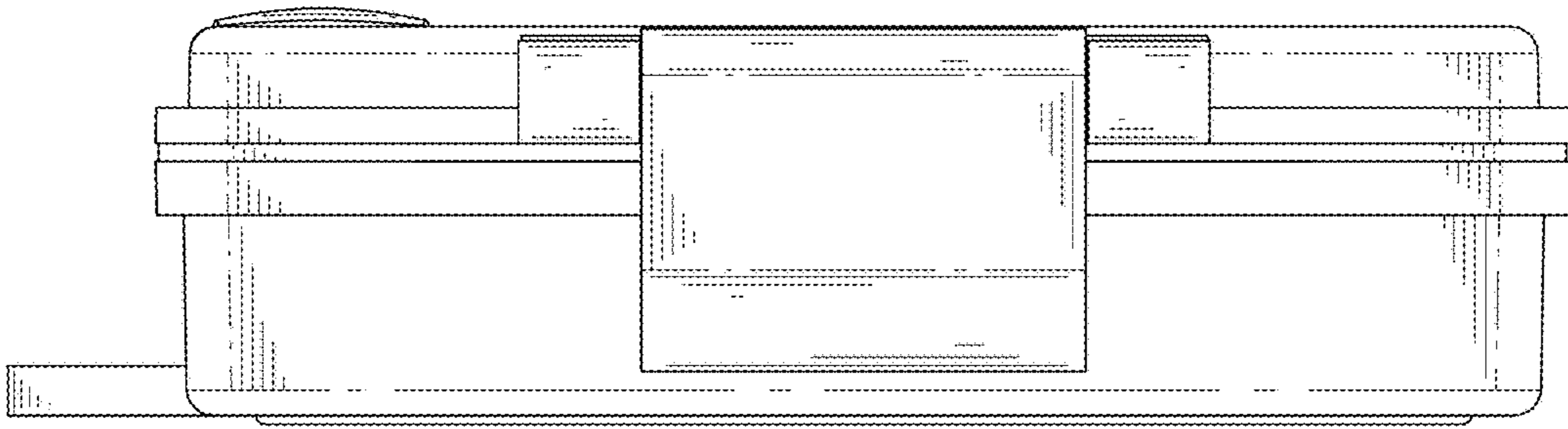


FIG. 3

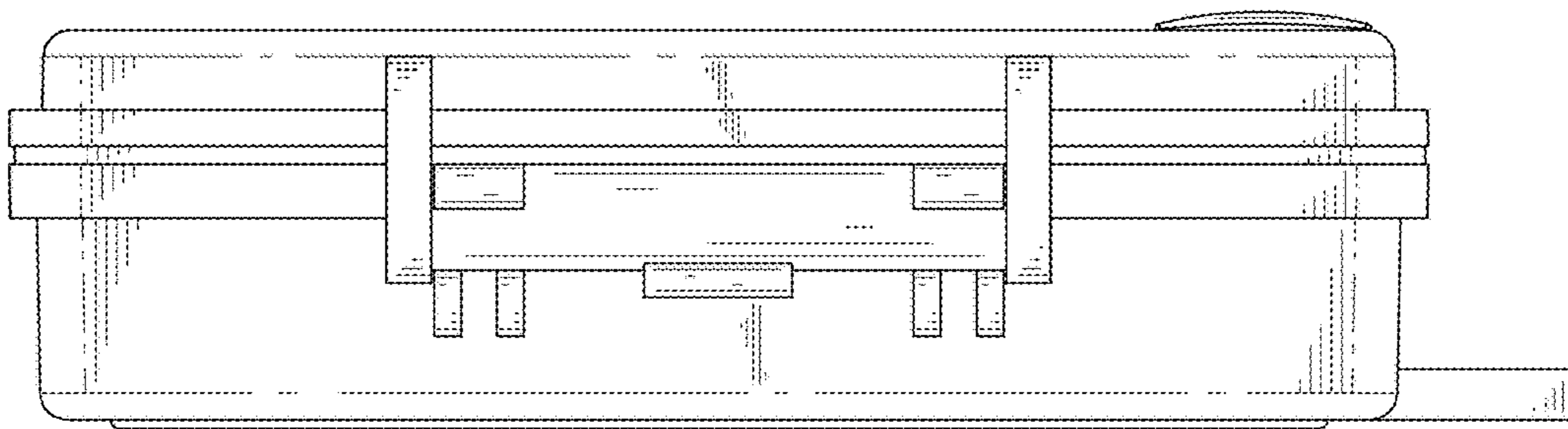


FIG. 4

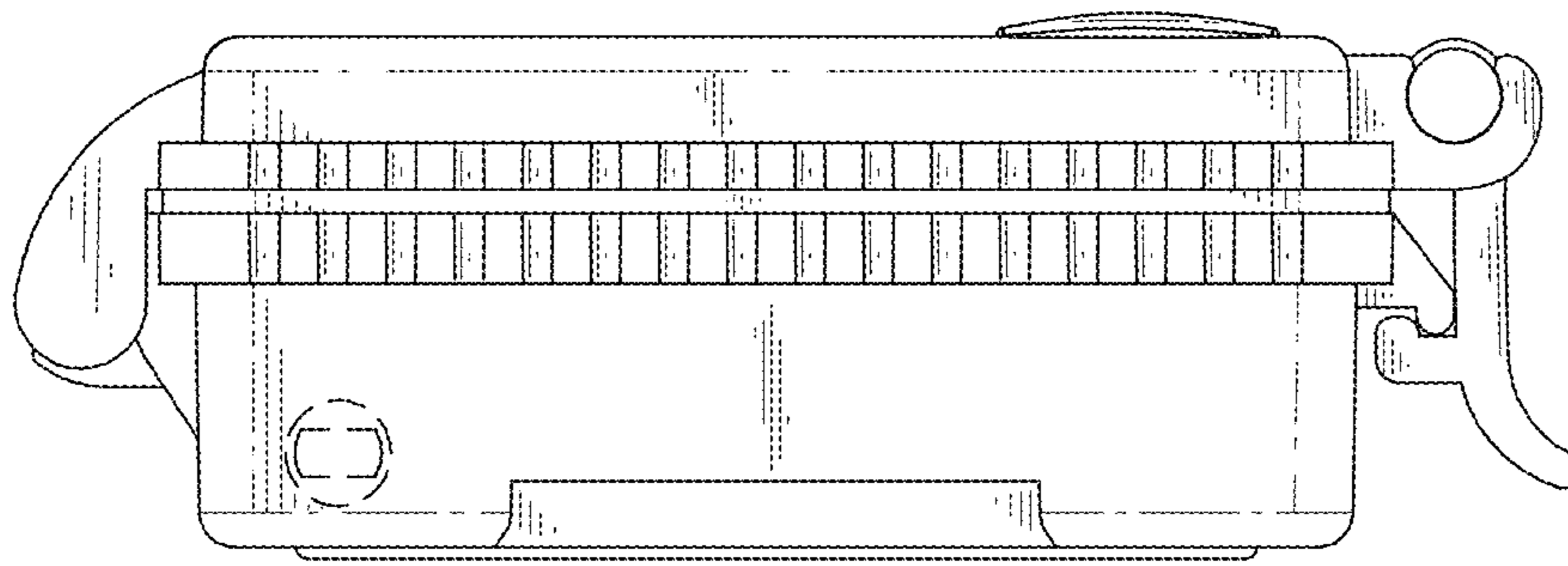


FIG. 5

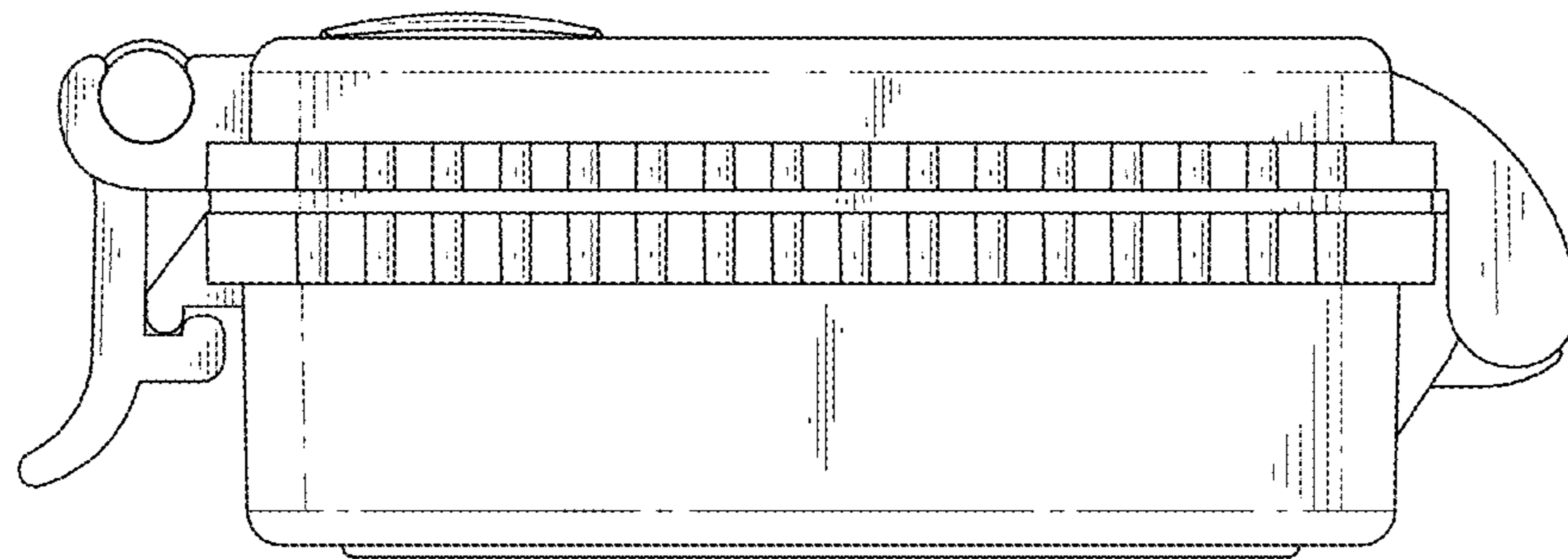


FIG. 6

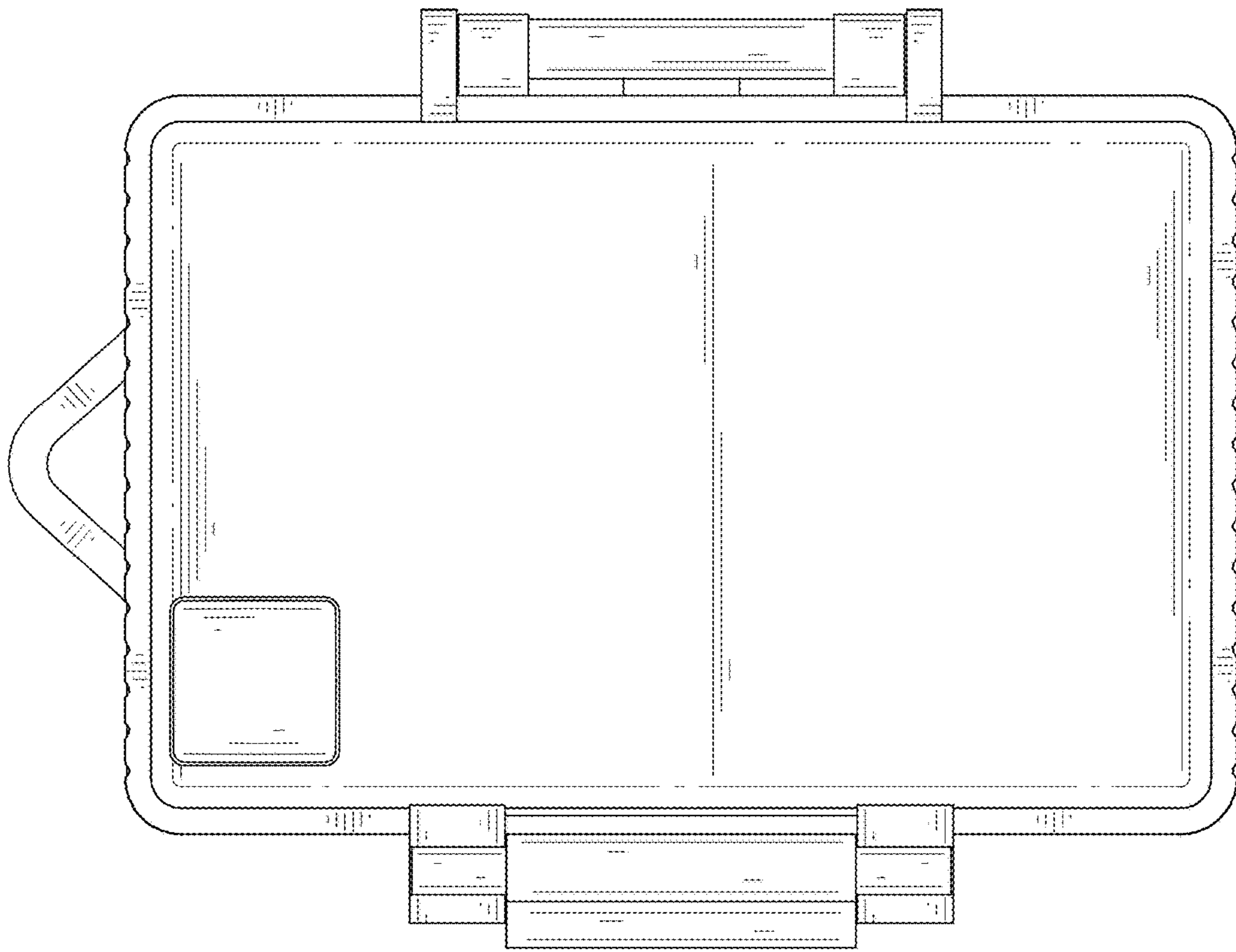


FIG. 7

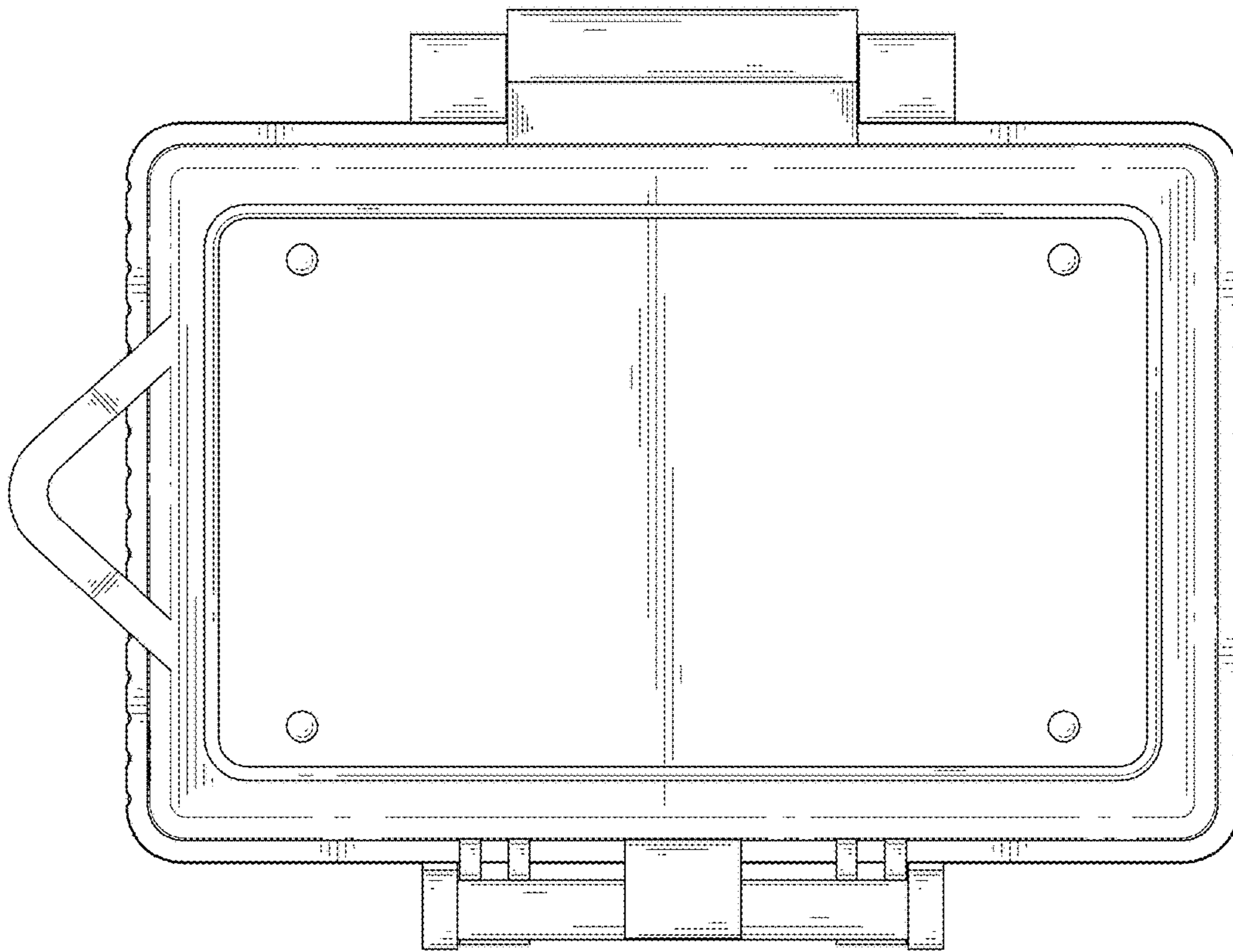


FIG. 8