



US00D825464S

(12) **United States Design Patent** (10) **Patent No.:** **US D825,464 S**  
**Xie** (45) **Date of Patent:** **\*\* Aug. 14, 2018**

(54) **BATTERY BOX**  
(71) Applicant: **Huarong Xie**, Guangdong (CN)  
(72) Inventor: **Huarong Xie**, Guangdong (CN)  
(\*\*) Term: **15 Years**  
(21) Appl. No.: **29/616,967**

7,625,667 B2 \* 12/2009 Marty ..... E03C 1/055  
137/613  
D686,157 S \* 7/2013 Kawase ..... D13/119  
8,836,524 B2 \* 9/2014 Dai ..... H01M 6/5033  
324/525  
D751,423 S \* 3/2016 Baldwin ..... D10/40  
D759,590 S 6/2016 Wang  
D774,651 S \* 12/2016 Kaib ..... D24/186  
D776,253 S \* 1/2017 Li ..... D24/108  
D785,567 S 5/2017 Abena et al.  
9,893,330 B2 \* 2/2018 Lam ..... H01M 10/425

(22) Filed: **Sep. 11, 2017**  
(51) **LOC (11) Cl.** ..... **13-02**  
(52) **U.S. Cl.**  
USPC ..... **D13/119**  
(58) **Field of Classification Search**  
USPC ..... D13/102-106, 110, 118-119, 184  
CPC ..... Y02E 60/12; Y02E 60/122; Y02E 60/124;  
Y02E 60/50; H01M 2/02; H01M 2/022;  
H01M 2/0202; H01M 2/0207; H01M  
2/0212; H01M 2/1061; H01M 2/1022;  
H01M 2/1055; H01M 2/1066; H01M  
2/105; H01M 2/204; H01M 2/1016;  
H01M 2200/00; H01M 10/4257; H01M  
10/0436; H01M 10/48; H01M 10/42  
See application file for complete search history.

**FOREIGN PATENT DOCUMENTS**

CA 107428 11/2005  
CN 301294571 S 7/2010  
EM 000076799-0001 12/2003

\* cited by examiner

*Primary Examiner* — Rosemary K Tarca  
*Assistant Examiner* — Nathaniel D. Buckner  
(74) *Attorney, Agent, or Firm* — Li-Jen Shen

(57) **CLAIM**

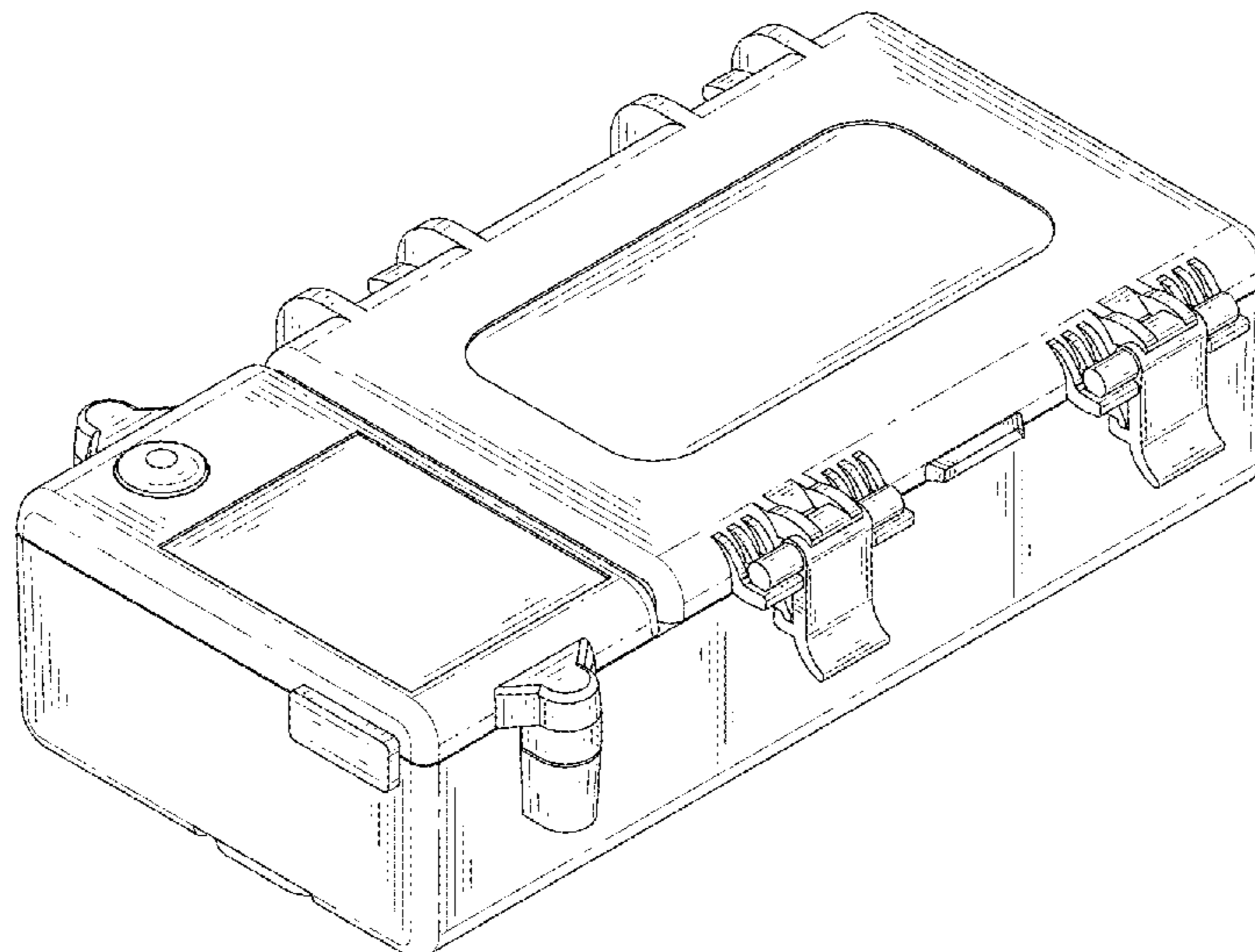
The ornamental design for a battery box, as shown and described.

**DESCRIPTION**

FIG. 1 is a first perspective view of a battery box showing my new design;  
FIG. 2 is a second perspective view thereof;  
FIG. 3 is a front elevational view thereof;  
FIG. 4 is a rear elevational view thereof;  
FIG. 5 is a left side view thereof;  
FIG. 6 is a right side view thereof;  
FIG. 7 is a top plan view thereof; and,  
FIG. 8 is a bottom plan view thereof.  
The broken lines in the drawings depict portions of the article that form no part of the claimed design.

(56) **References Cited**  
**U.S. PATENT DOCUMENTS**  
D130,619 S 12/1941 Kendall et al.  
D190,733 S 6/1961 Becker  
D252,354 S 7/1979 Uyeda  
D423,459 S \* 4/2000 Takase ..... D13/152  
D449,577 S 10/2001 Nishio et al.  
D511,343 S \* 11/2005 Solomon ..... D14/356  
D517,479 S 3/2006 Schemm  
D517,987 S 3/2006 Castagnola et al.  
D517,988 S 3/2006 Ihde et al.  
D580,373 S \* 11/2008 Stange ..... D13/162  
D593,970 S \* 6/2009 Sonntag ..... D13/184

**1 Claim, 8 Drawing Sheets**



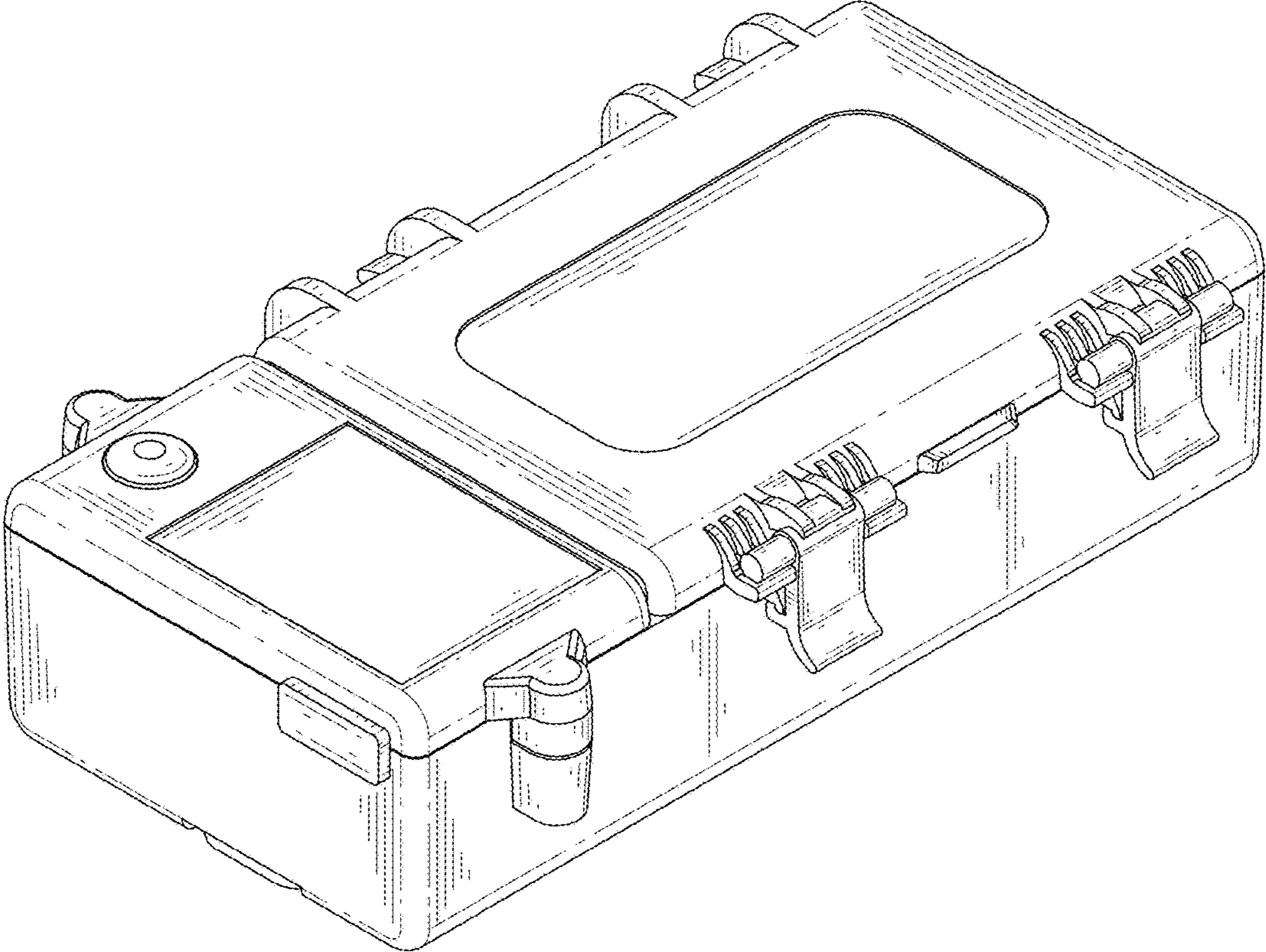


FIG. 1

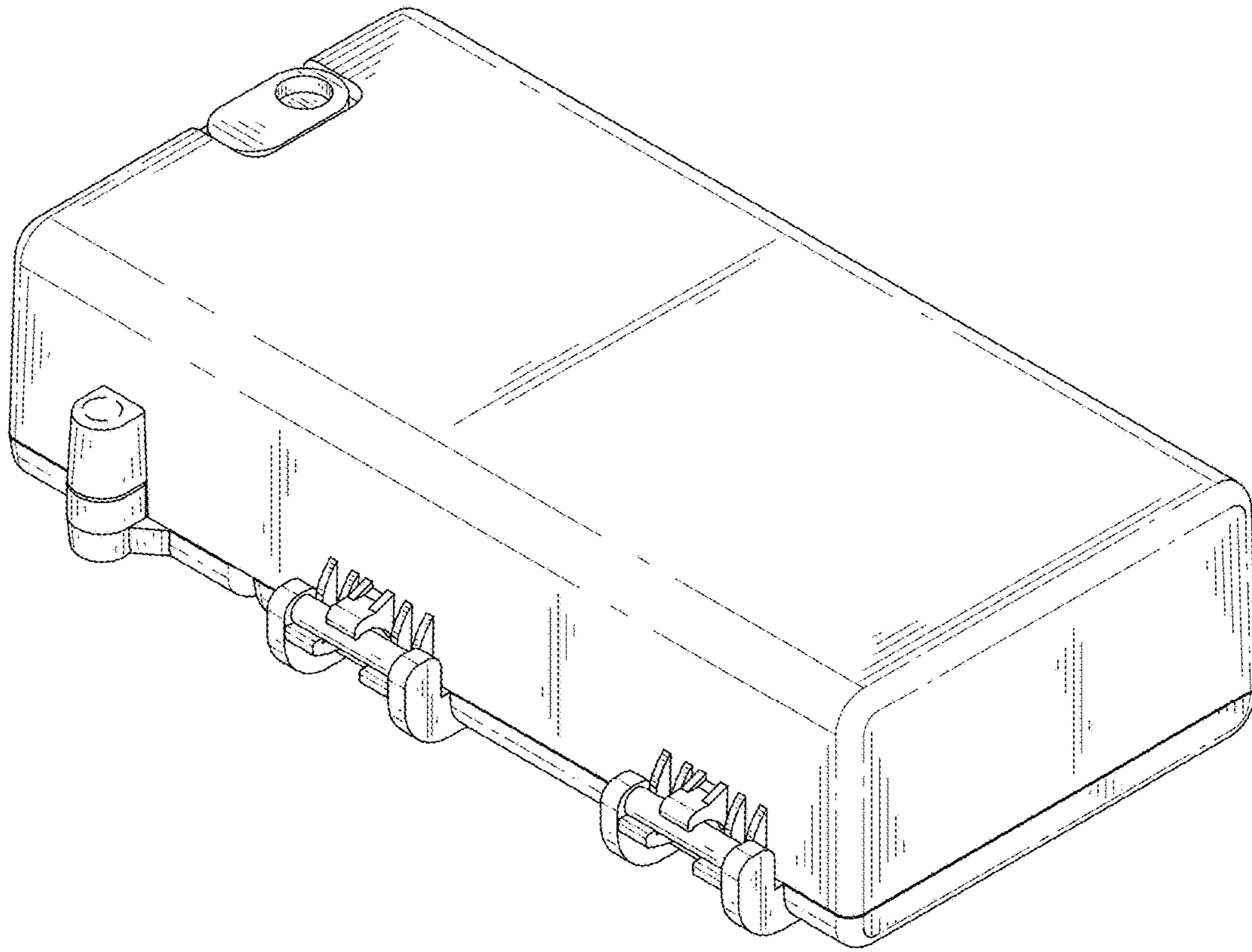


FIG. 2

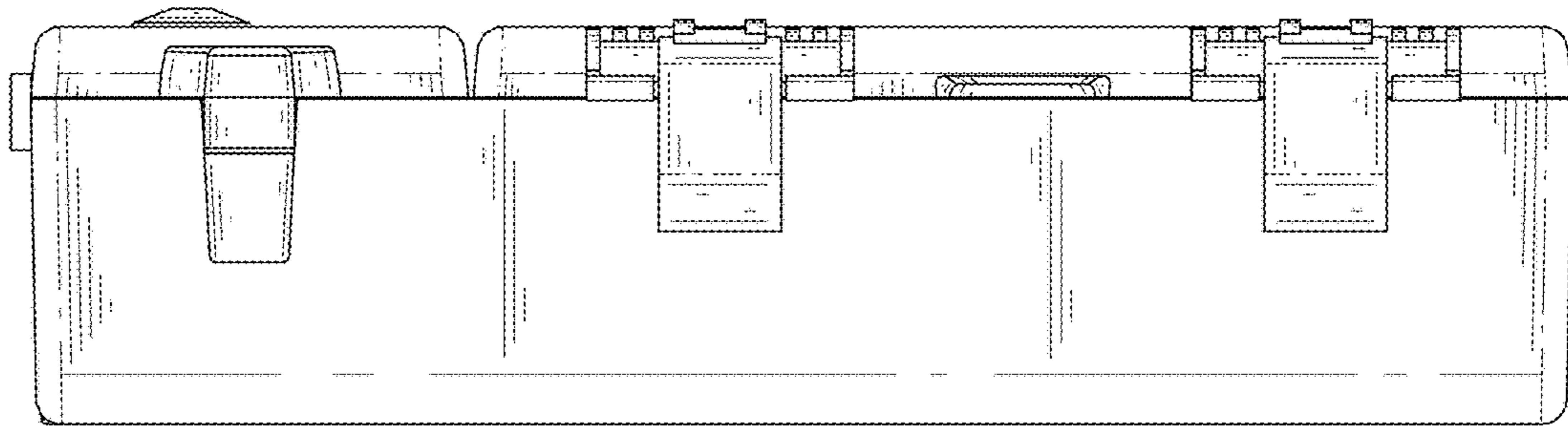


FIG. 3

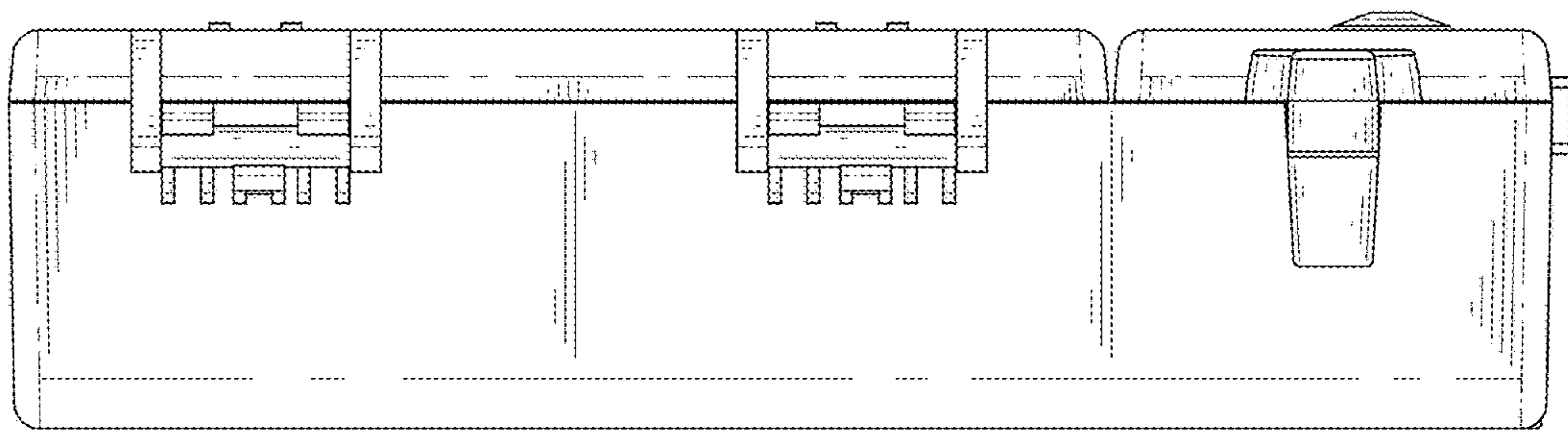


FIG. 4

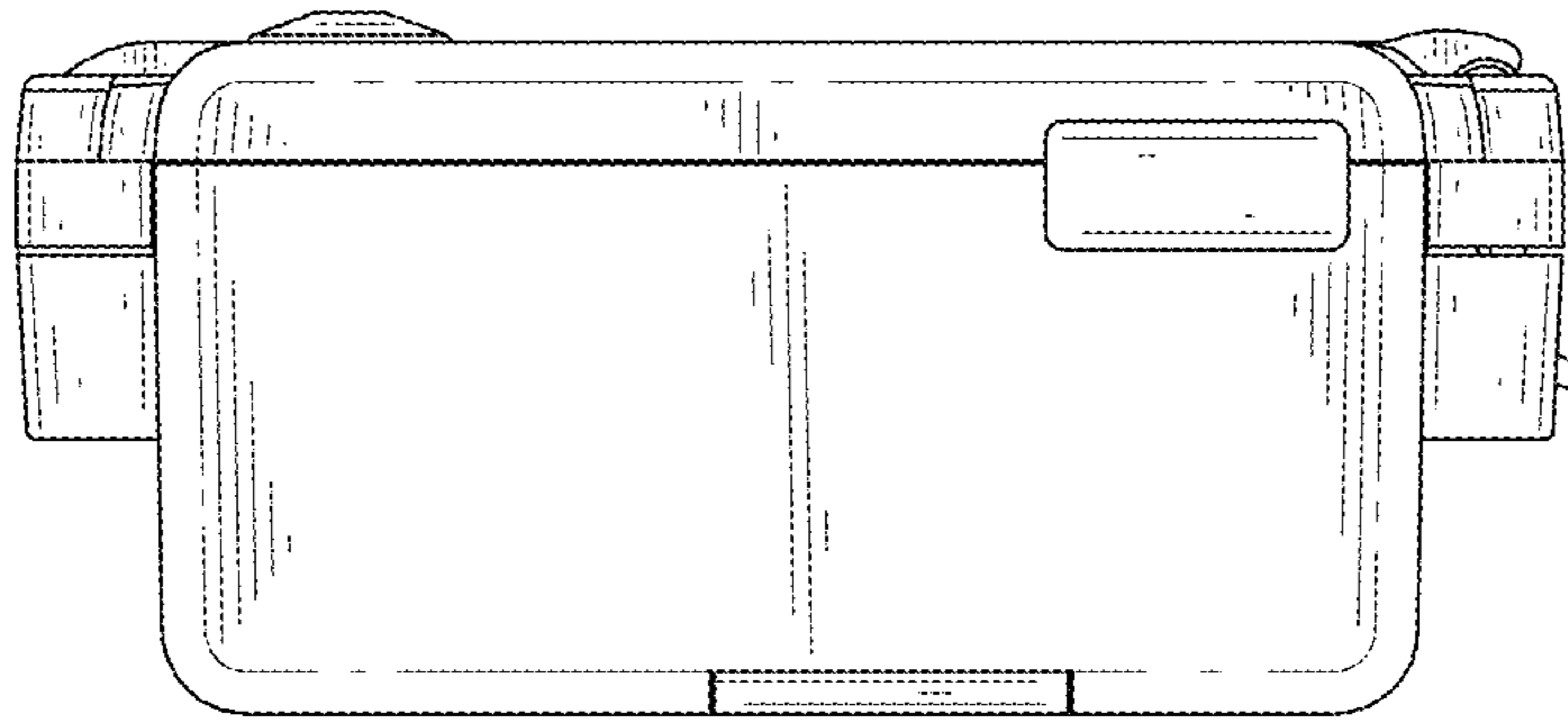


FIG. 5

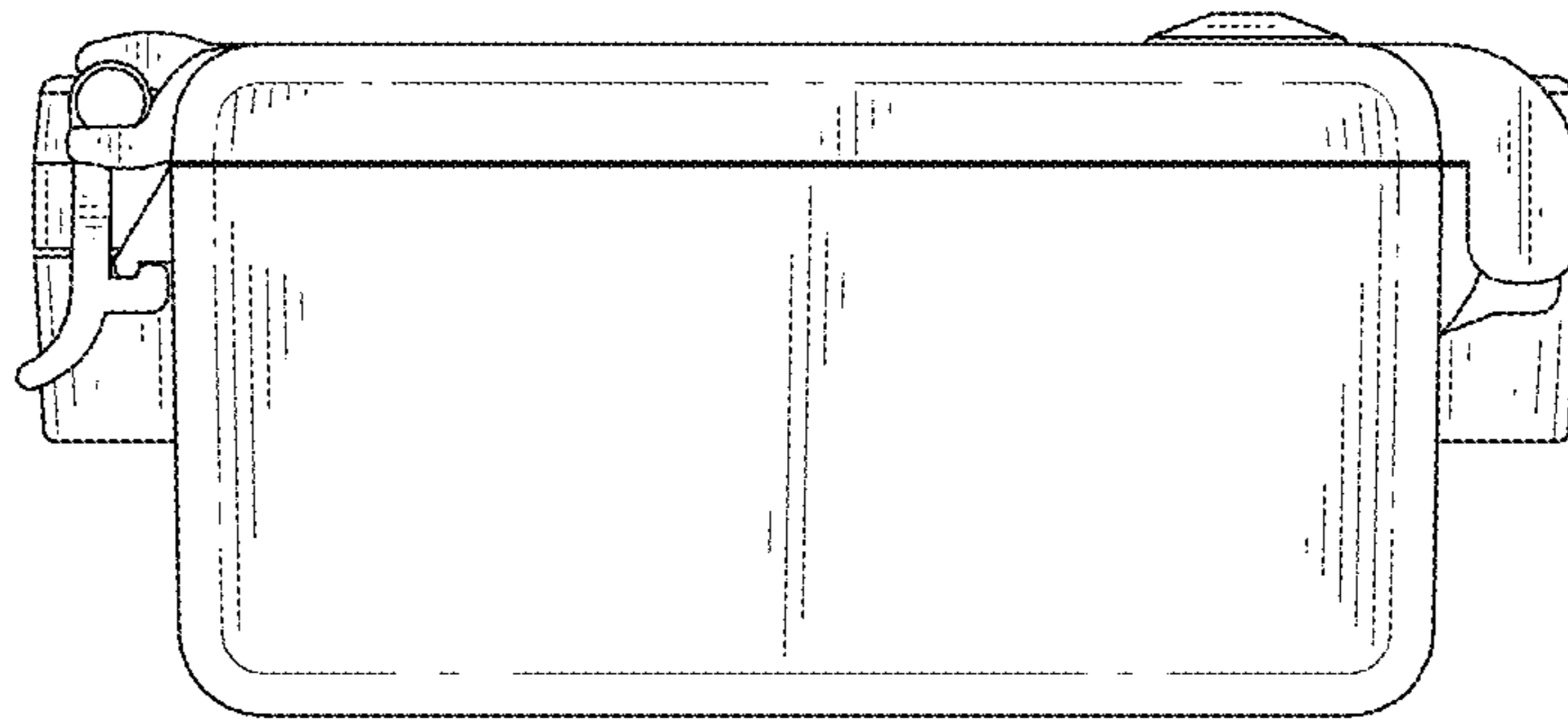


FIG. 6

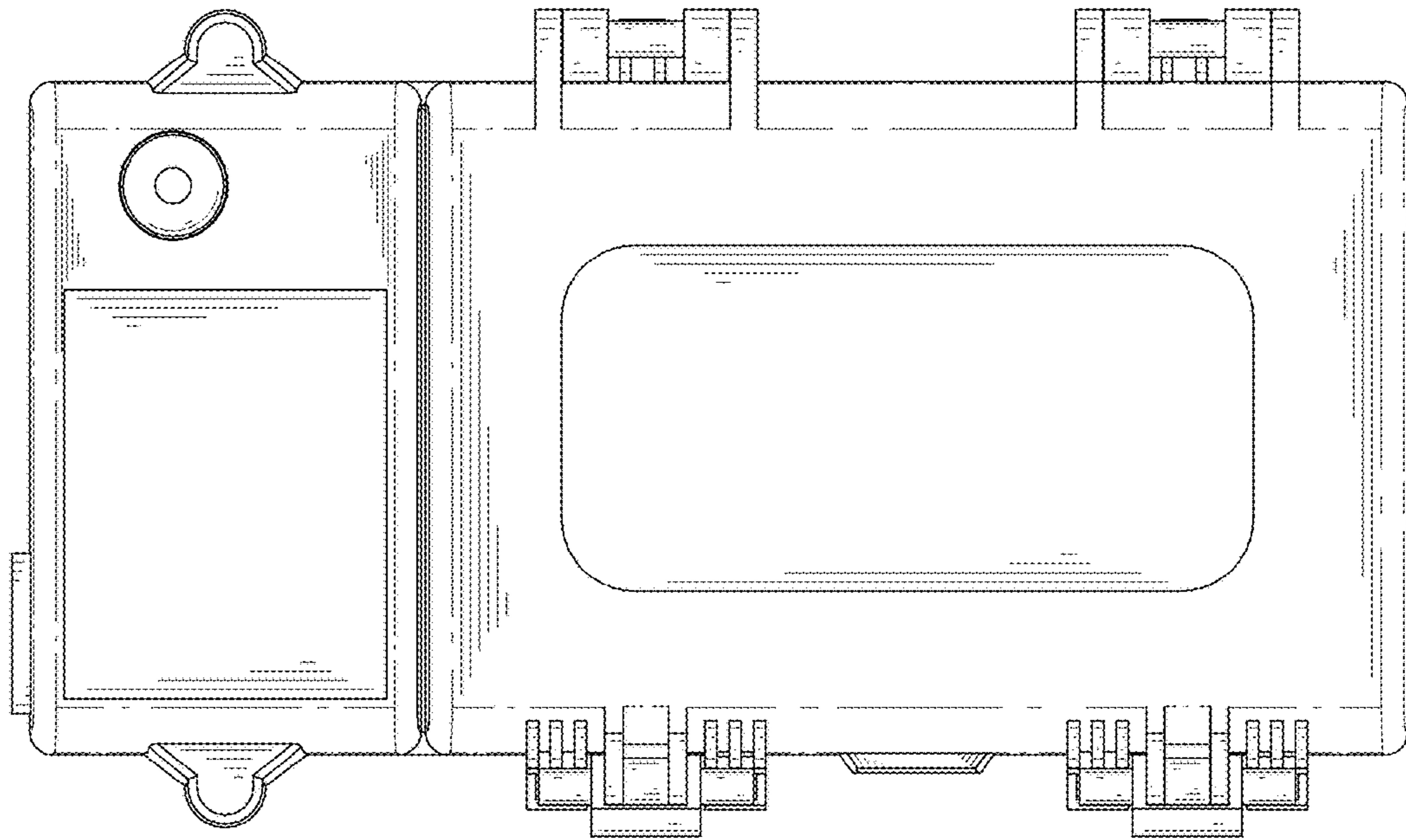


FIG. 7



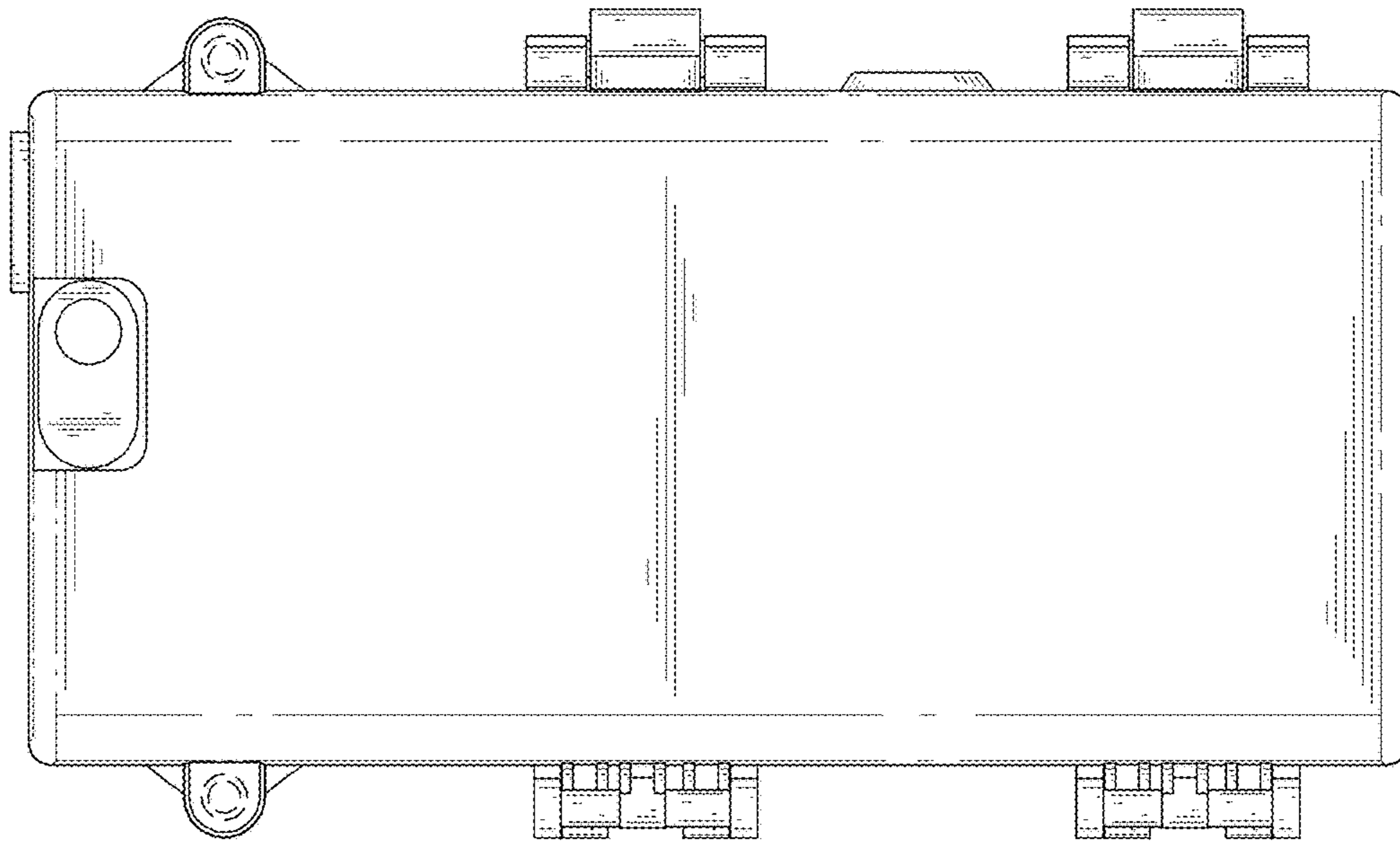


FIG. 8