



US00D825462S

(12) **United States Design Patent** (10) **Patent No.:** **US D825,462 S**  
**Liebert et al.** (45) **Date of Patent:** **\*\* Aug. 14, 2018**

- (54) **PROTECTIVE FRAME FOR AN ELECTRONIC COMPONENT**
- (71) Applicant: **ILLINOIS TOOL WORKS INC.**,  
Glenview, IL (US)
- (72) Inventors: **Scott Stephen Liebert**, Freedom, WI (US); **Paul William Garvey**, Freedom, WI (US)
- (73) Assignee: **ILLINOIS TOOL WORKS INC.**,  
Glenview, IL (US)
- (\*\*) Term: **15 Years**
- (21) Appl. No.: **29/584,985**
- (22) Filed: **Nov. 18, 2016**
- (51) **LOC (11) Cl.** ..... **13-01**
- (52) **U.S. Cl.**  
USPC ..... **D13/116**
- (58) **Field of Classification Search**  
USPC ..... D12/180; D13/101, 102, 103, 107, 112, D13/114, 115, 116, 118, 122, 125, 133, D13/162.1, 184, 199; D14/188; D23/315, 356, 377; D25/35; D32/17, D32/21, 68, 70, 71, 73  
CPC ..... B23K 9/10; B23K 37/0294; B23K 9/32; B23K 9/321; B23K 9/124; B65D 71/50; B65B 7/20; B60P 7/0869  
See application file for complete search history.

- (56) **References Cited**  
U.S. PATENT DOCUMENTS  
3,594,490 A \* 7/1971 Mitchell ..... G06F 1/18 174/25 R  
4,278,139 A \* 7/1981 Caris ..... G01G 23/005 177/154  
6,070,396 A \* 6/2000 Rinaldi ..... B65B 7/20 493/23  
6,089,637 A \* 7/2000 Brunelle ..... B65G 7/12 211/59.1

D682,785 S \* 5/2013 Liebert ..... D13/116  
2008/0135695 A1 \* 6/2008 Ertmer ..... B23K 9/32 248/154  
2011/0192823 A1 \* 8/2011 Williams ..... B23K 9/16 219/121.39

(Continued)

**FOREIGN PATENT DOCUMENTS**

WO 2006086371 A2 8/2006

**OTHER PUBLICATIONS**

Luxebell Frame Mount Housing, posted at Amazon.com, posted on Jan. 6, 2015, site visited Nov. 16, 2017. online, Available from Internet: <https://www.amazon.com/Luxebell-Frame-Housing-Protective-Standard/dp/B00PBUYW0I>.\*

(Continued)

*Primary Examiner* — Mary Ann Calabrese  
*Assistant Examiner* — Catherine Ho  
(74) *Attorney, Agent, or Firm* — McAndrews, Held & Malloy, Ltd.

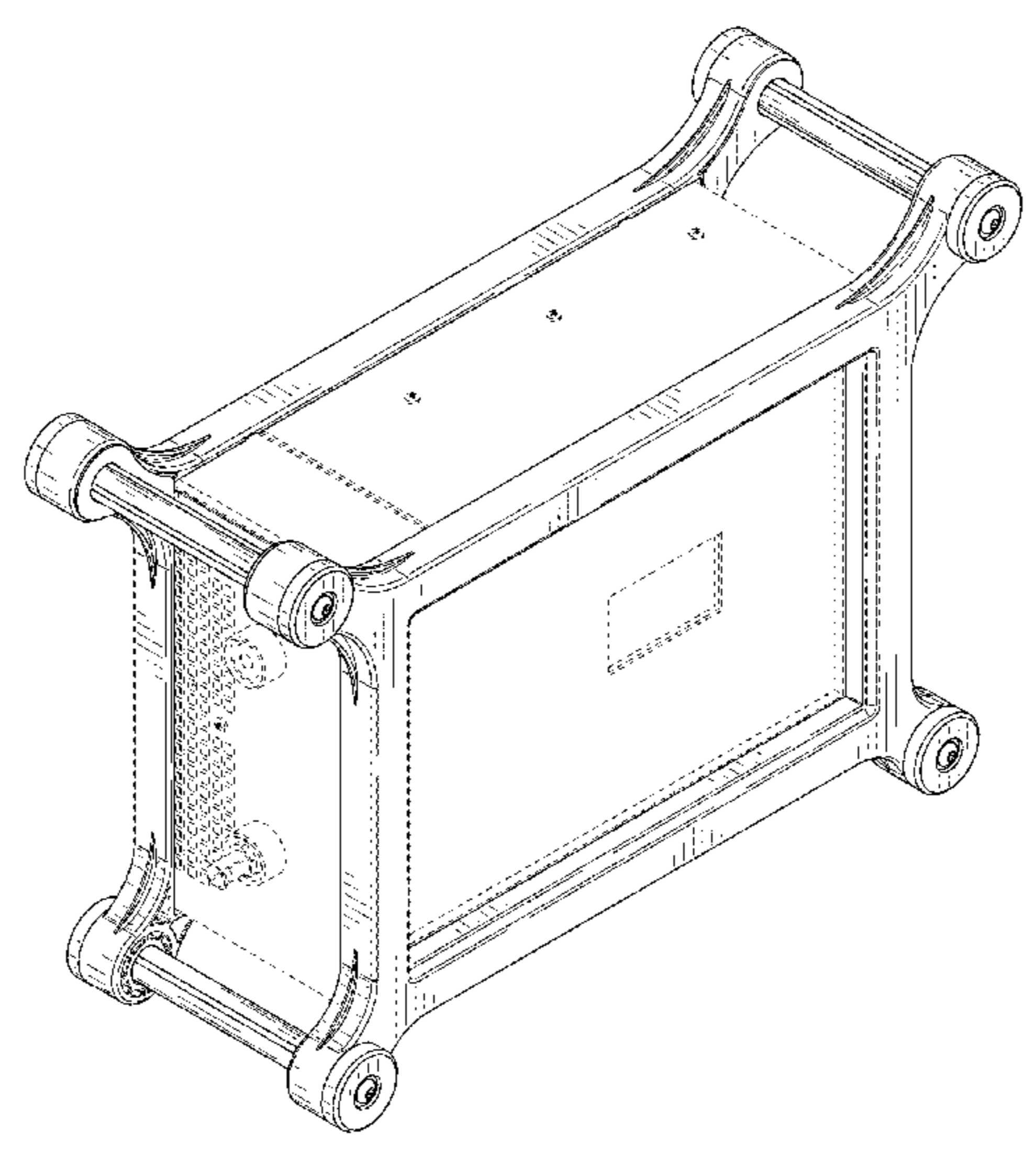
(57) **CLAIM**

The ornamental design for a protective frame for an electronic component, as shown and described.

**DESCRIPTION**

FIG. 1 is a top perspective view of a protective frame for an electronic component showing our new design; FIG. 2 is a front elevation view thereof; FIG. 3 is a rear elevation view thereof; FIG. 4 is a right-side elevation view thereof; FIG. 5 is a left-side elevation view thereof; FIG. 6 is a top plan view thereof; and, FIG. 7 is a bottom plan view thereof. The dashed broken lines in the figures depict portions of the protective frame for an electronic component that form no part of the claimed design.

**1 Claim, 4 Drawing Sheets**



(56)

**References Cited**

U.S. PATENT DOCUMENTS

2013/0146575 A1\* 6/2013 Hillen ..... B23K 9/125  
219/137.71  
2015/0021305 A1\* 1/2015 Rozmarynowski .. B23K 9/1043  
219/130.1  
2015/0129568 A1\* 5/2015 Miller ..... B23K 37/0294  
219/137.2  
2015/0313028 A1 10/2015 Bell et al.  
2016/0129524 A1\* 5/2016 Evans ..... B23K 37/0294  
219/136  
2017/0050258 A1\* 2/2017 Hillen ..... B23K 9/125  
2017/0312845 A1\* 11/2017 Chantry ..... B23K 10/00

OTHER PUBLICATIONS

Int'l Search Report and Written Opinion for PCT/US2017/061900  
dated Mar. 7, 2018 (12 pgs.).

\* cited by examiner

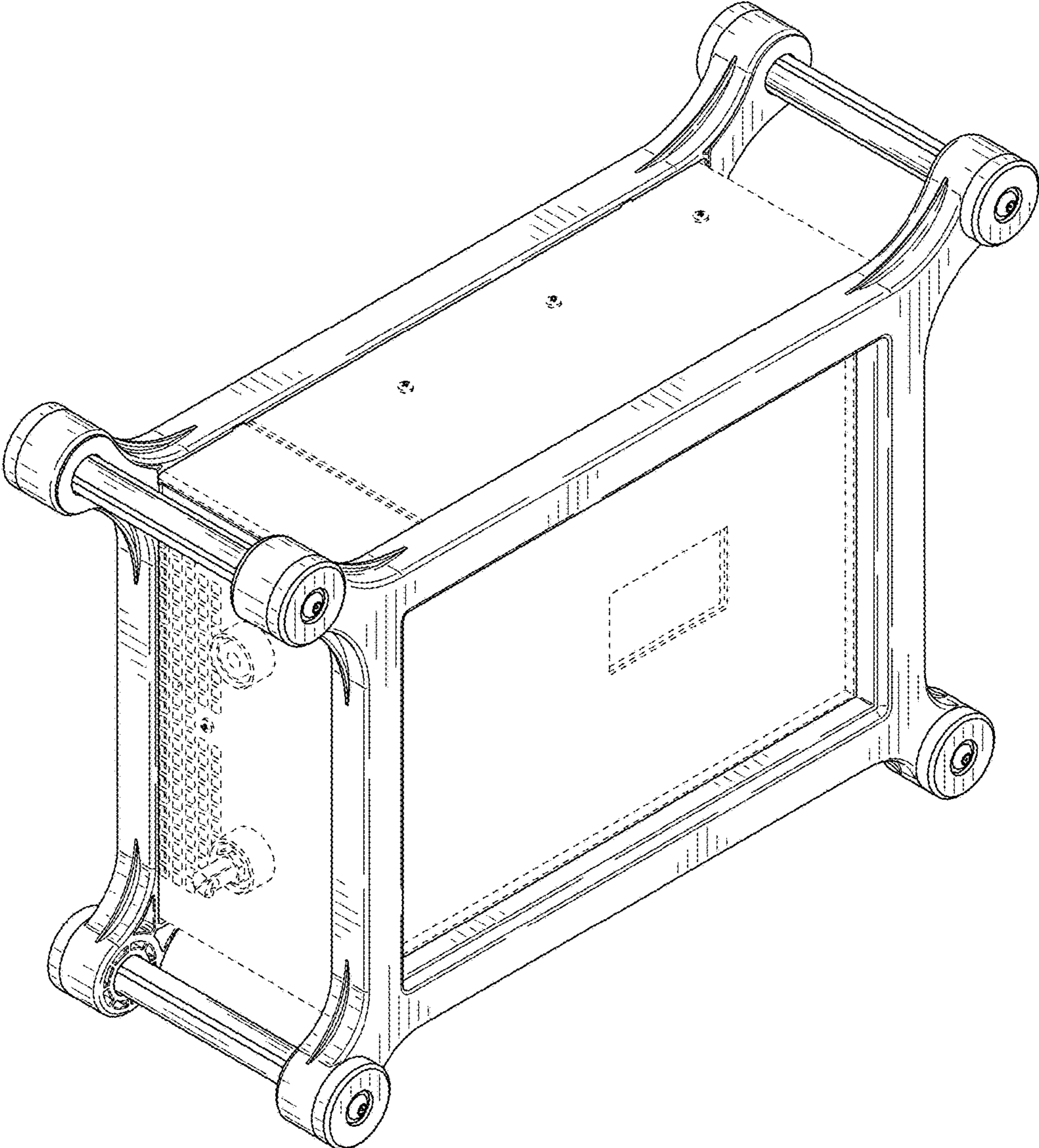


FIG. 1

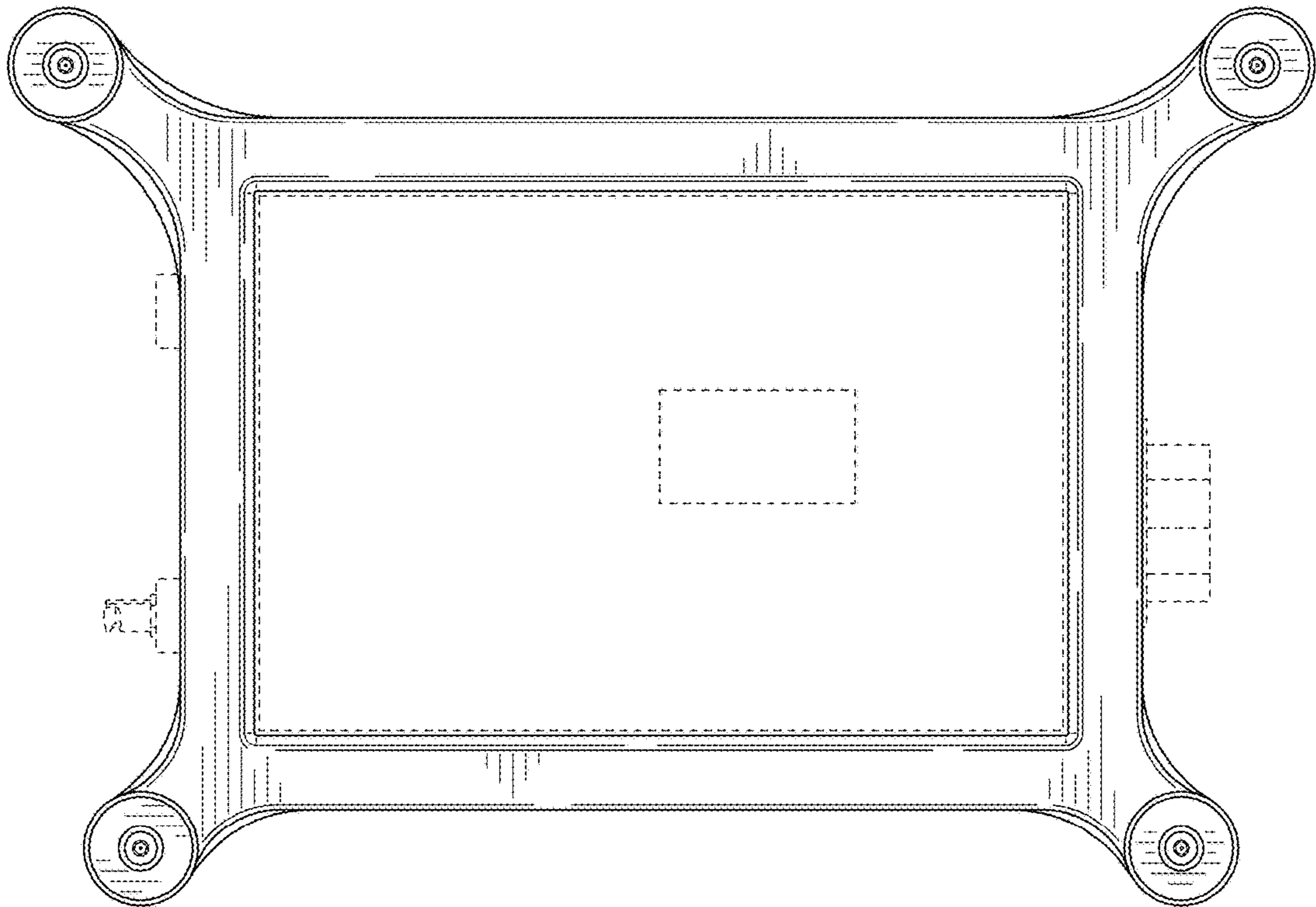


FIG. 2

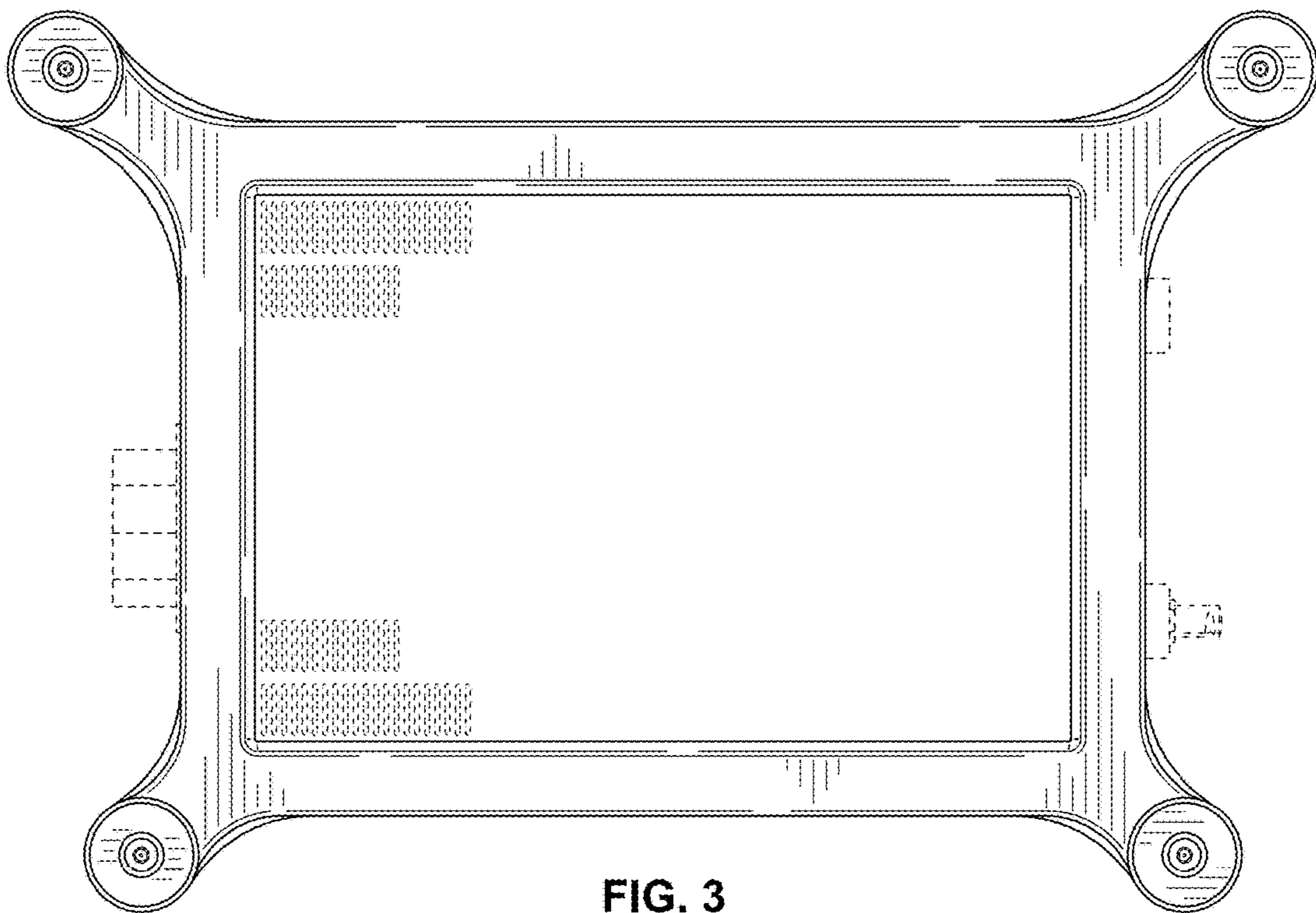


FIG. 3

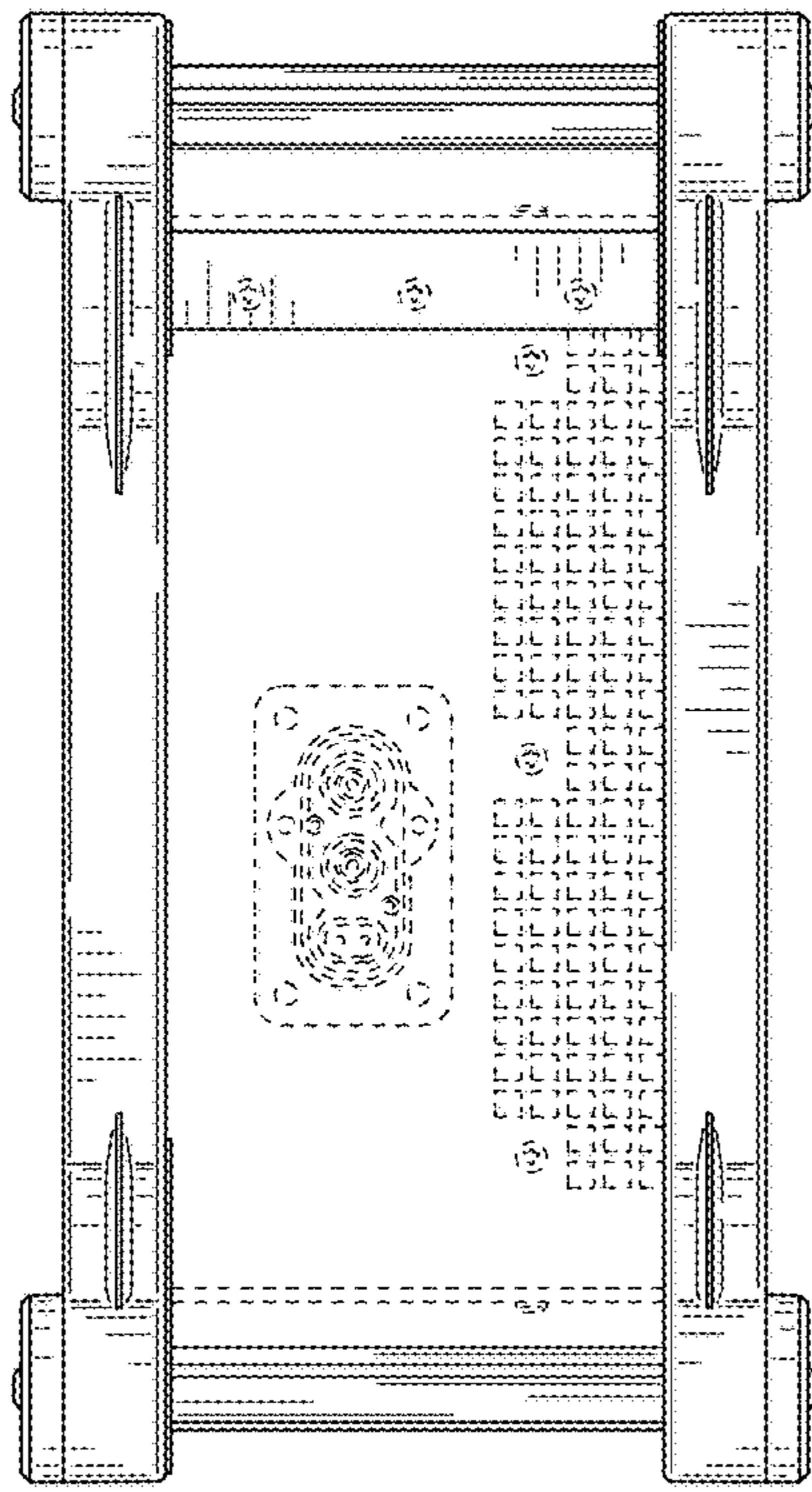


FIG. 4

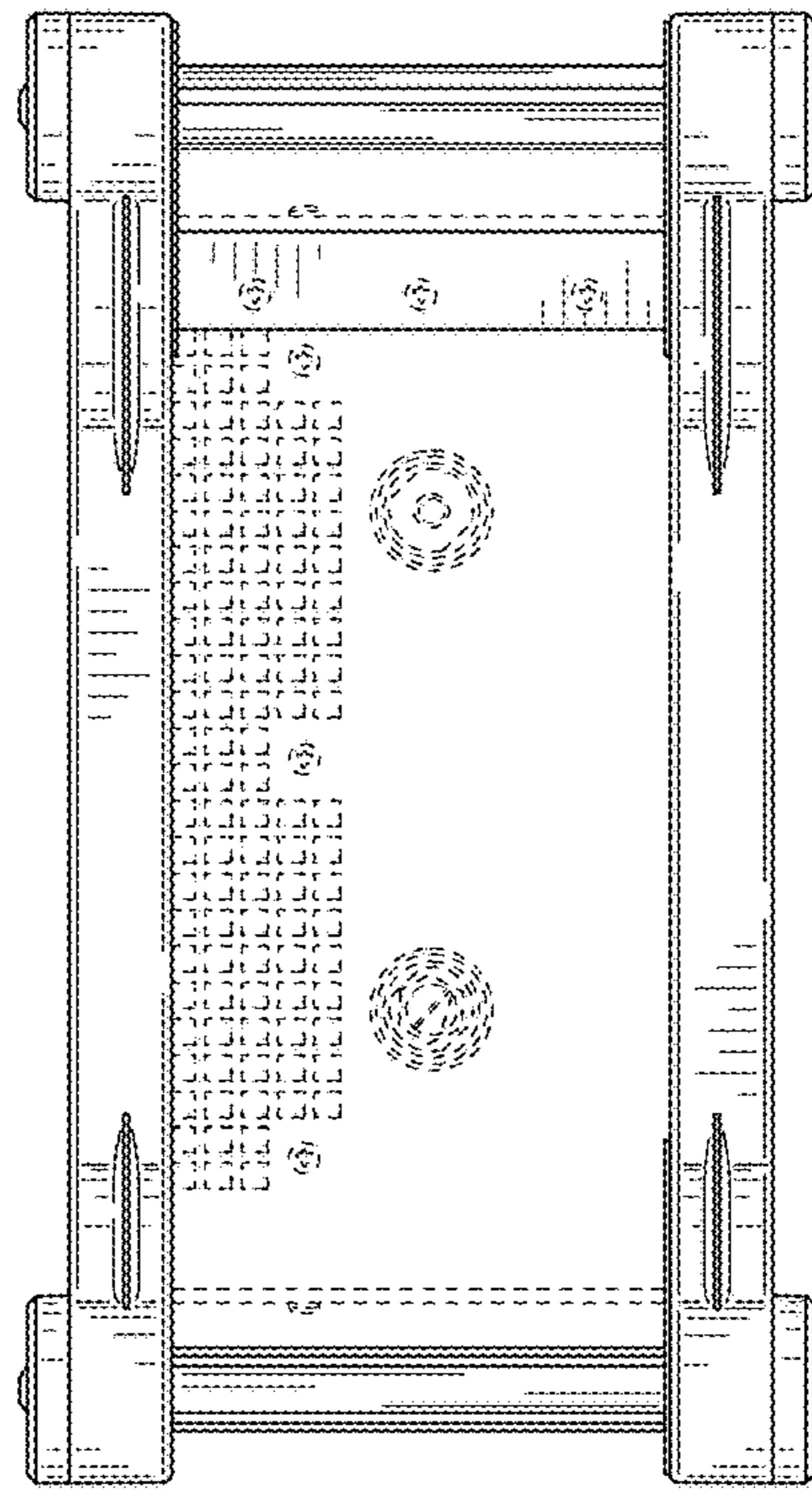


FIG. 5

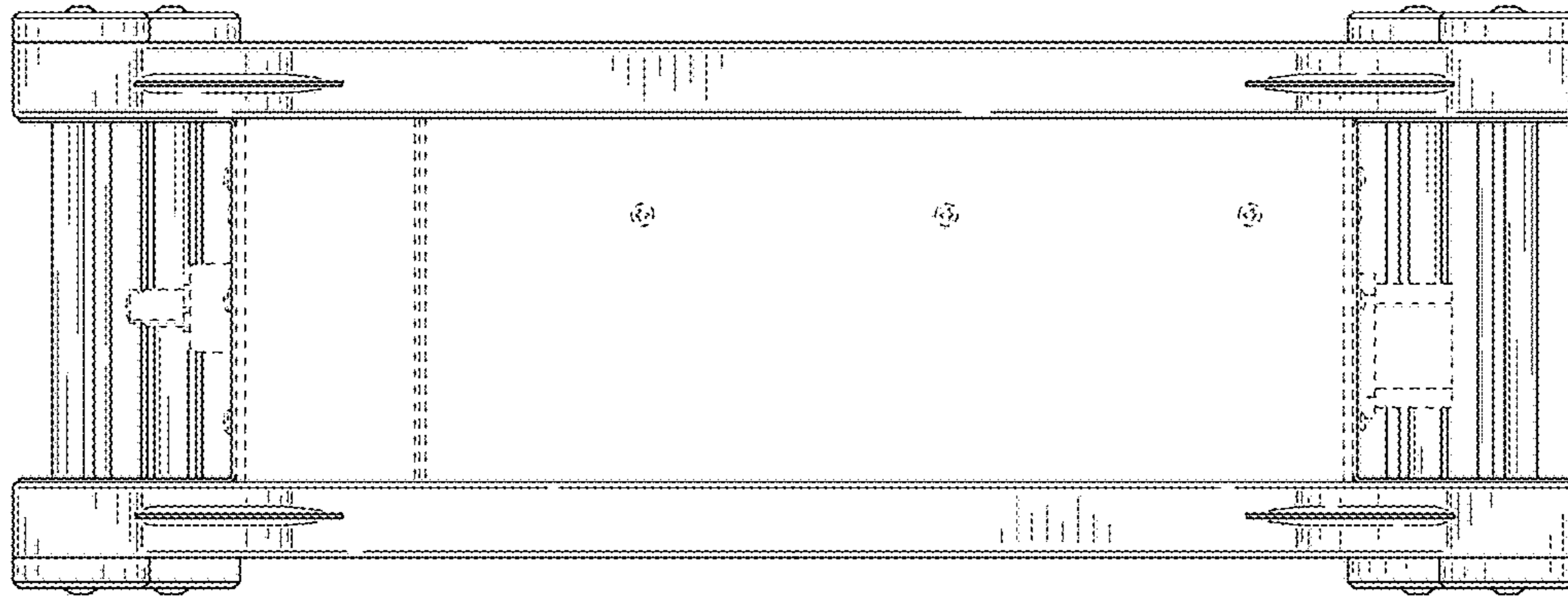


FIG. 6

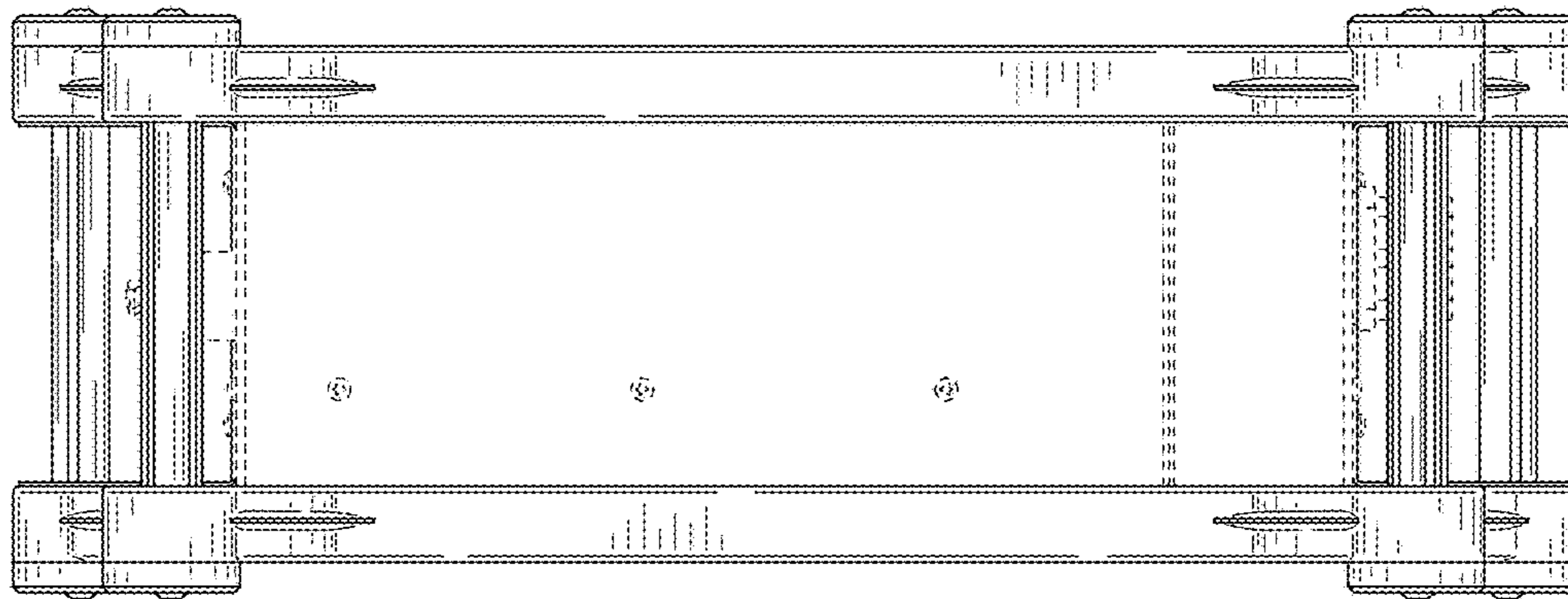


FIG. 7