

US00D825460S

(12) **United States Design Patent** (10) **Patent No.:** **US D825,460 S**  
**Mueller** (45) **Date of Patent:** **\*\* Aug. 14, 2018**

(54) **POWER SUPPLY UNIT**

(56) **References Cited**

- (71) Applicant: **Phoenix Contact GmbH & Co. KG**,  
Blomberg, DE (US)
- (72) Inventor: **Gerwin Mueller**, Kiel (DE)
- (73) Assignee: **PHOENIX CONTACT GMBH & CO.**  
**KG**, Blomberg (DE)
- (\*\*) Term: **15 Years**
- (21) Appl. No.: **29/613,404**
- (22) Filed: **Aug. 10, 2017**

U.S. PATENT DOCUMENTS

D314,174 S *	1/1991	Wong .....	D13/110
D346,148 S	4/1994	Chen	
D376,347 S	12/1996	Mousa	
D440,937 S *	4/2001	Germagian .....	D13/110
D483,329 S	12/2003	Kuo	
D488,441 S	4/2004	Ogawa	
D553,564 S	10/2007	Kuo	
D559,179 S	1/2008	Kuo	
D612,803 S *	3/2010	Du .....	D13/110
D621,350 S *	8/2010	Huang .....	D13/110
7,869,191 B2 *	1/2011	Yang .....	H02J 9/061 307/66
D705,162 S	5/2014	Mueller	

**Related U.S. Application Data**

(62) Division of application No. 29/525,172, filed on Apr. 28, 2015, now Pat. No. Des. 811,327.

**Foreign Application Priority Data**

Oct. 29, 2014 (EM) ..... 002567024

(51) **LOC (11) Cl.** ..... **13-02**

(52) **U.S. Cl.**  
USPC ..... **D13/110**

(58) **Field of Classification Search**

USPC ..... D13/110, 103, 107, 108, 118, 119, 123,  
D13/133, 137.1, 184, 199; D14/240, 251,  
D14/356, 432, 433, 434; 174/53, 54, 59,  
174/61; 307/11, 150, 151; 320/107, 111,  
320/112, 113, 114, 115; 361/679.01;  
363/142, 146; 439/131, 172, 626, 628,  
439/638

CPC ..... G06F 1/181; G06F 1/188; G06F 1/189;  
H02M 7/00; H02M 7/02; H02M 7/003;  
H02K 5/00; H02K 5/0017; H02K 7/00;  
H02K 7/1427; H02K 7/20918

See application file for complete search history.

\* cited by examiner

*Primary Examiner* — Derrick Holland

(74) *Attorney, Agent, or Firm* — Leydig, Voit & Mayer, Ltd.

(57) **CLAIM**

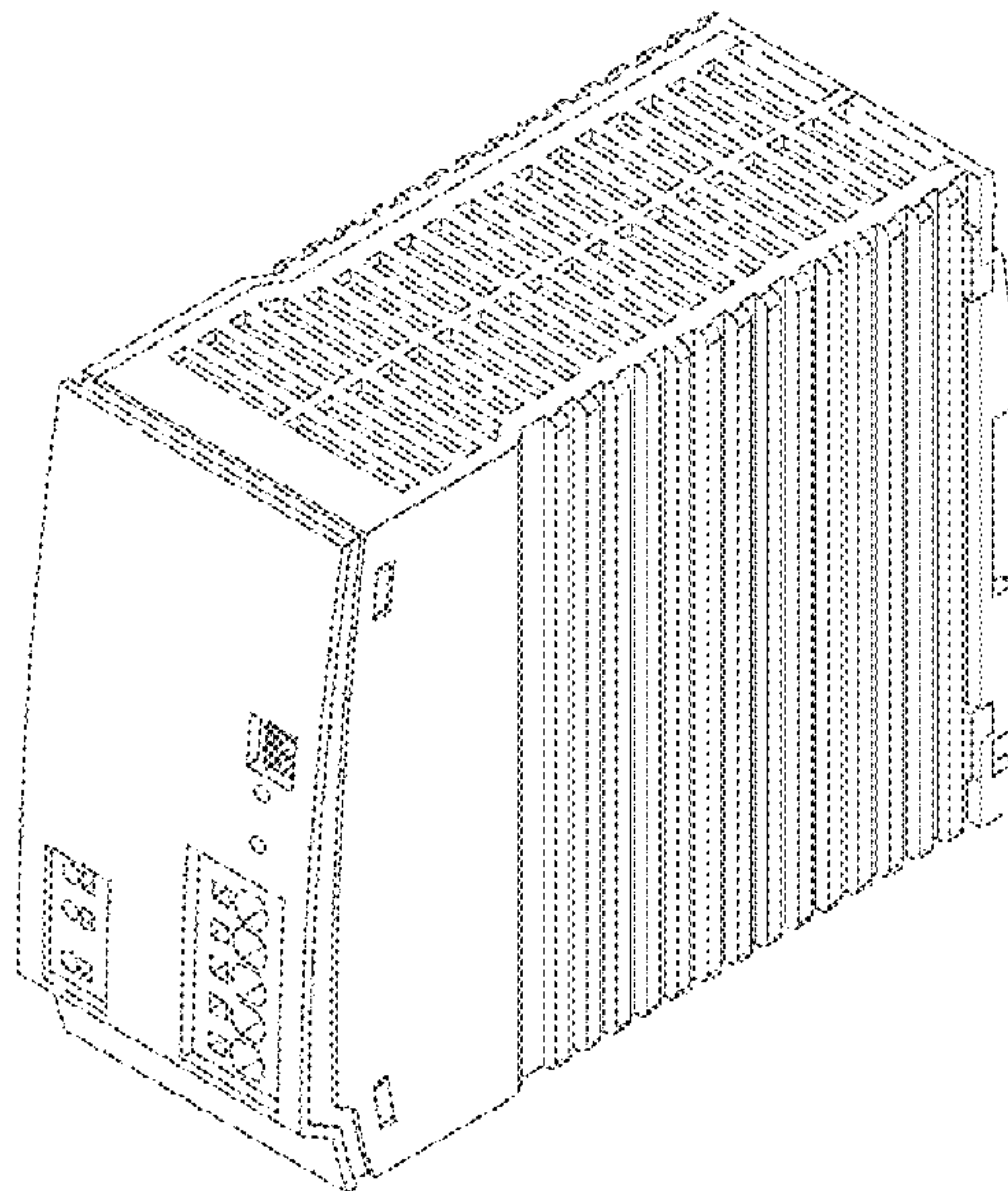
The ornamental design for a power supply unit, as shown and described.

**DESCRIPTION**

FIG. 1 is a top left front perspective view of a power supply unit showing my new design;  
 FIG. 2 is a front elevational view thereof;  
 FIG. 3 is a rear elevational view thereof;  
 FIG. 4 is a right side elevational view thereof;  
 FIG. 5 is a left side elevational view thereof;  
 FIG. 6 is a top plan view thereof; and,  
 FIG. 7 is a bottom plan view thereof.

The broken lines in the drawings represent unclaimed environment only and form. no part of the claimed design.

**1 Claim, 7 Drawing Sheets**



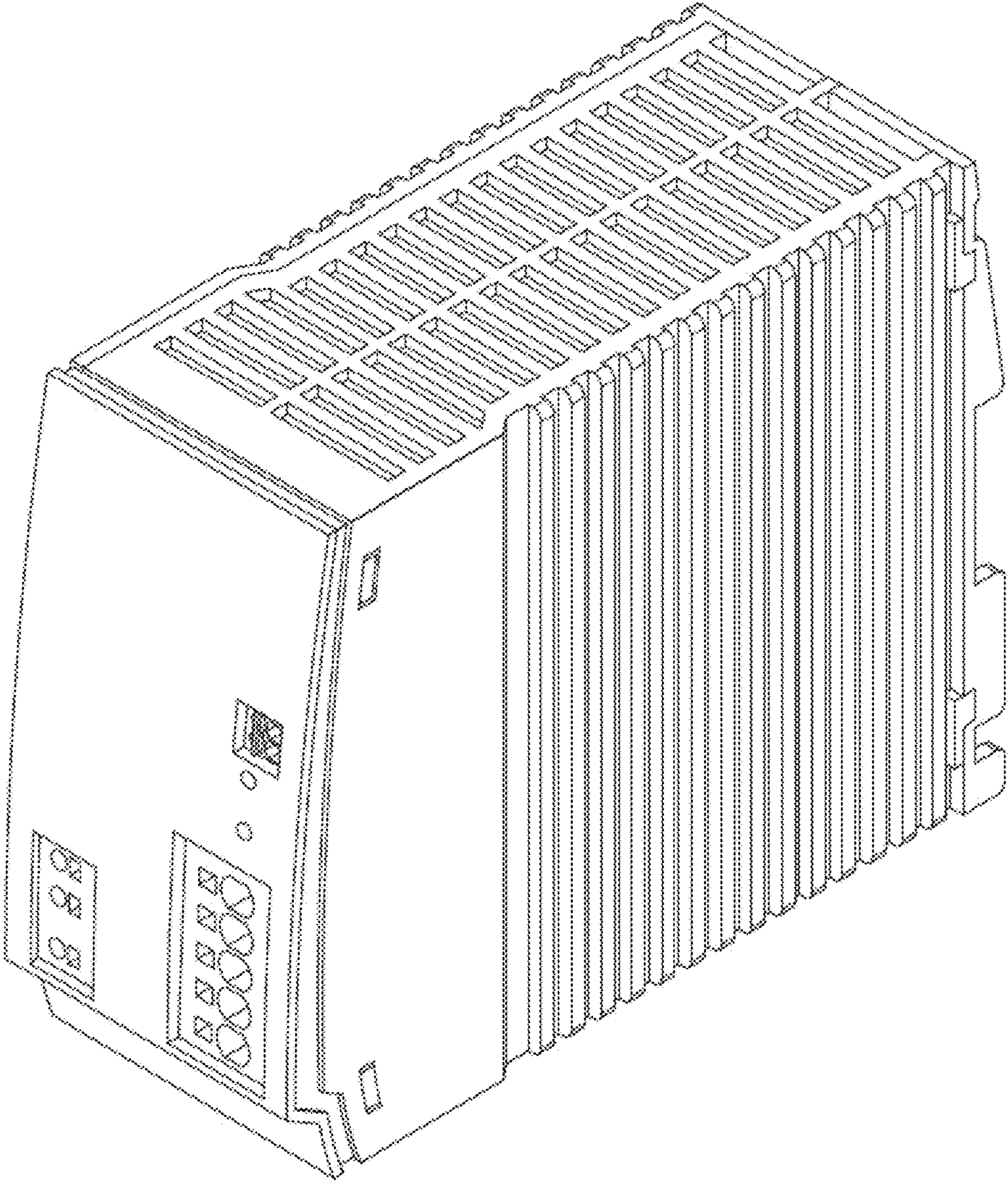


Fig. 1

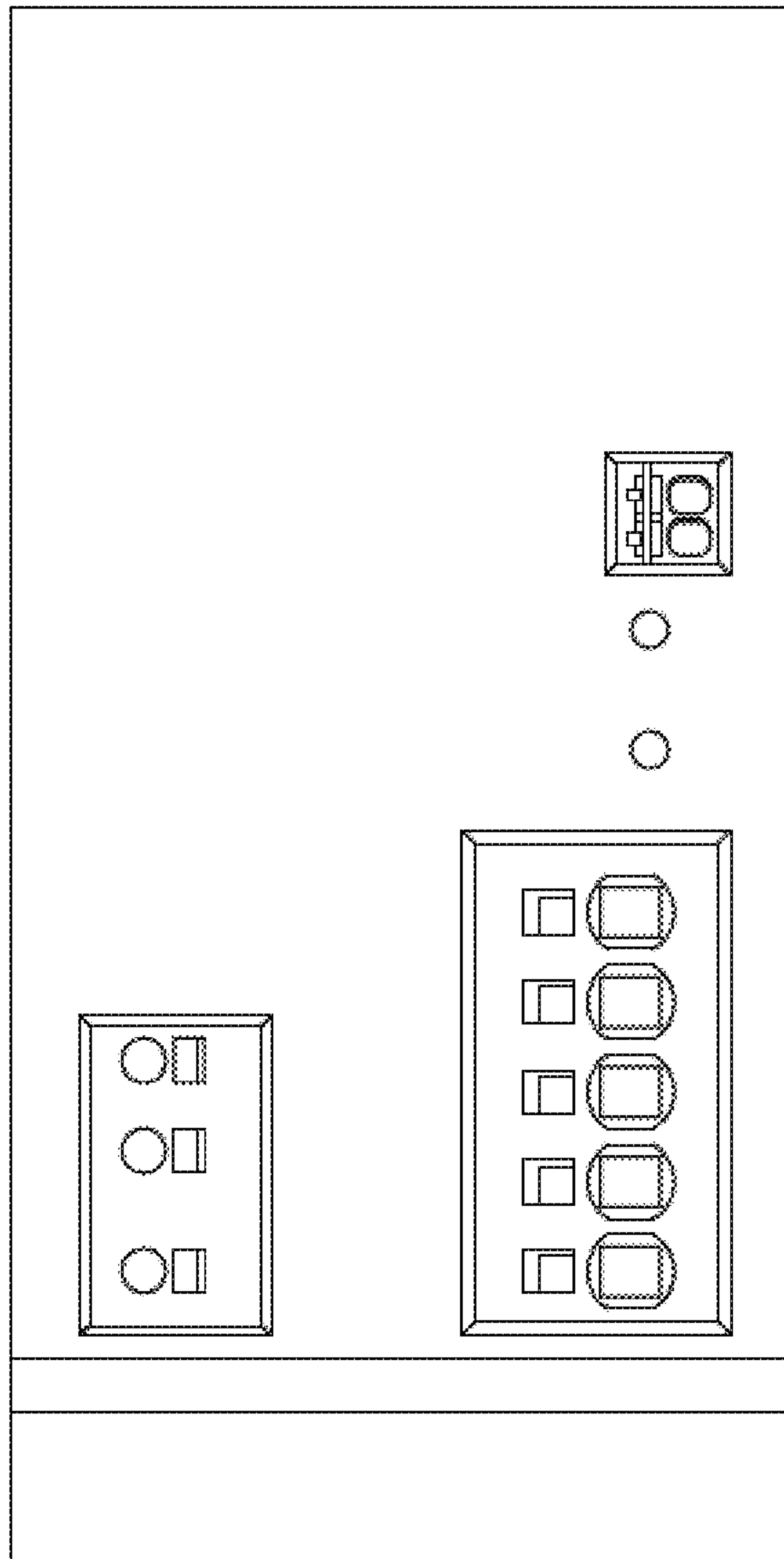


Fig. 2



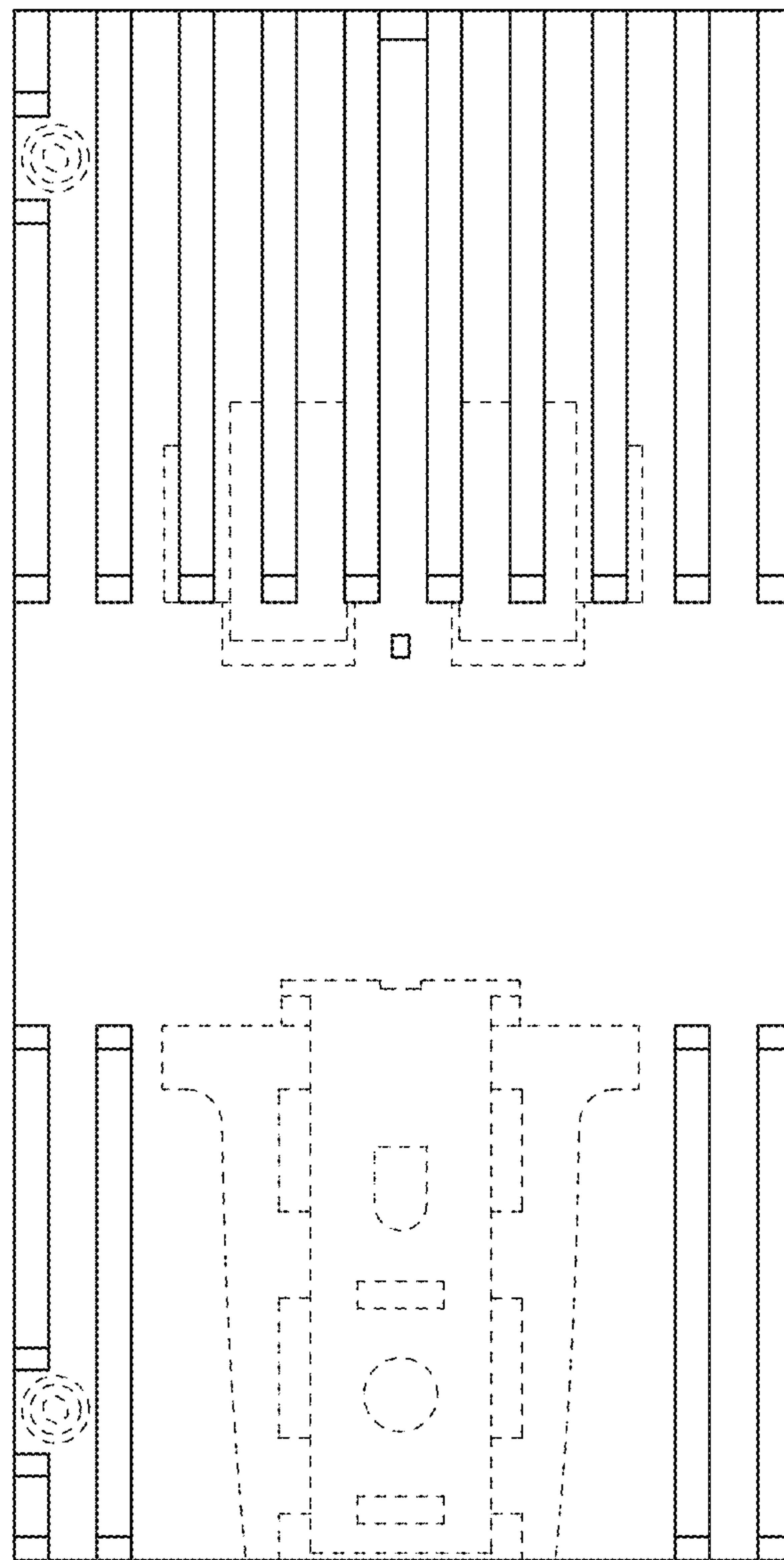


FIG. 3

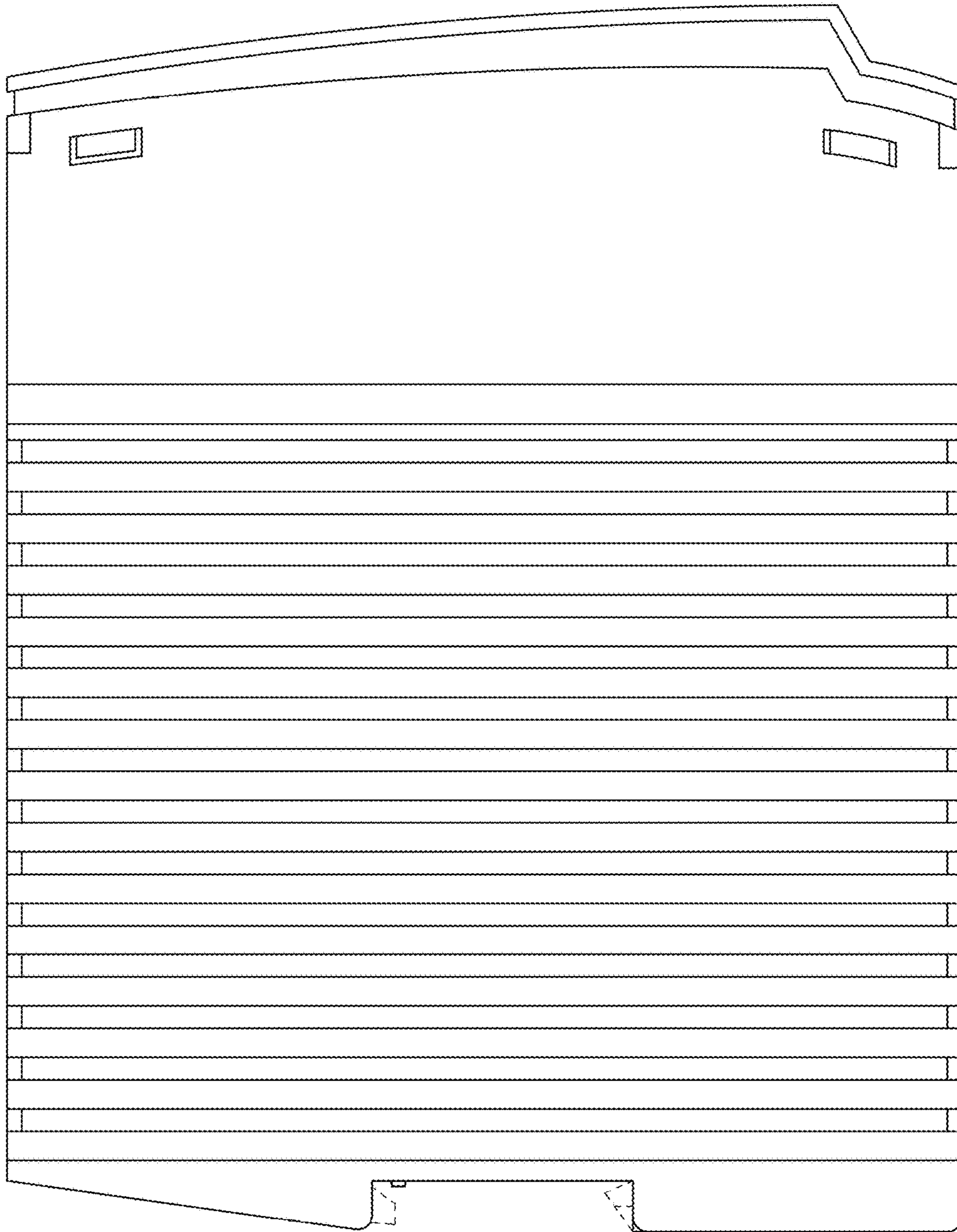


FIG. 4

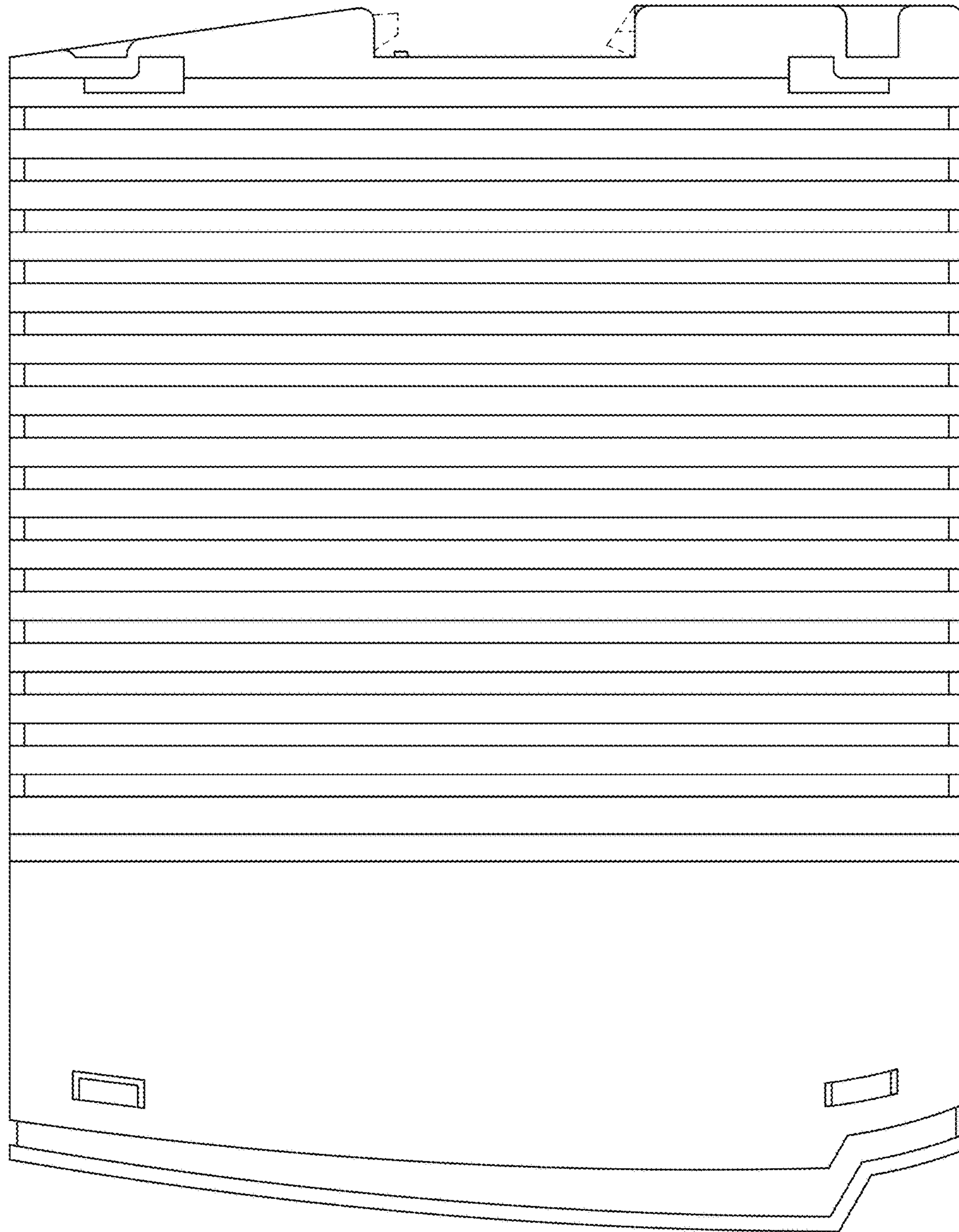


FIG. 5

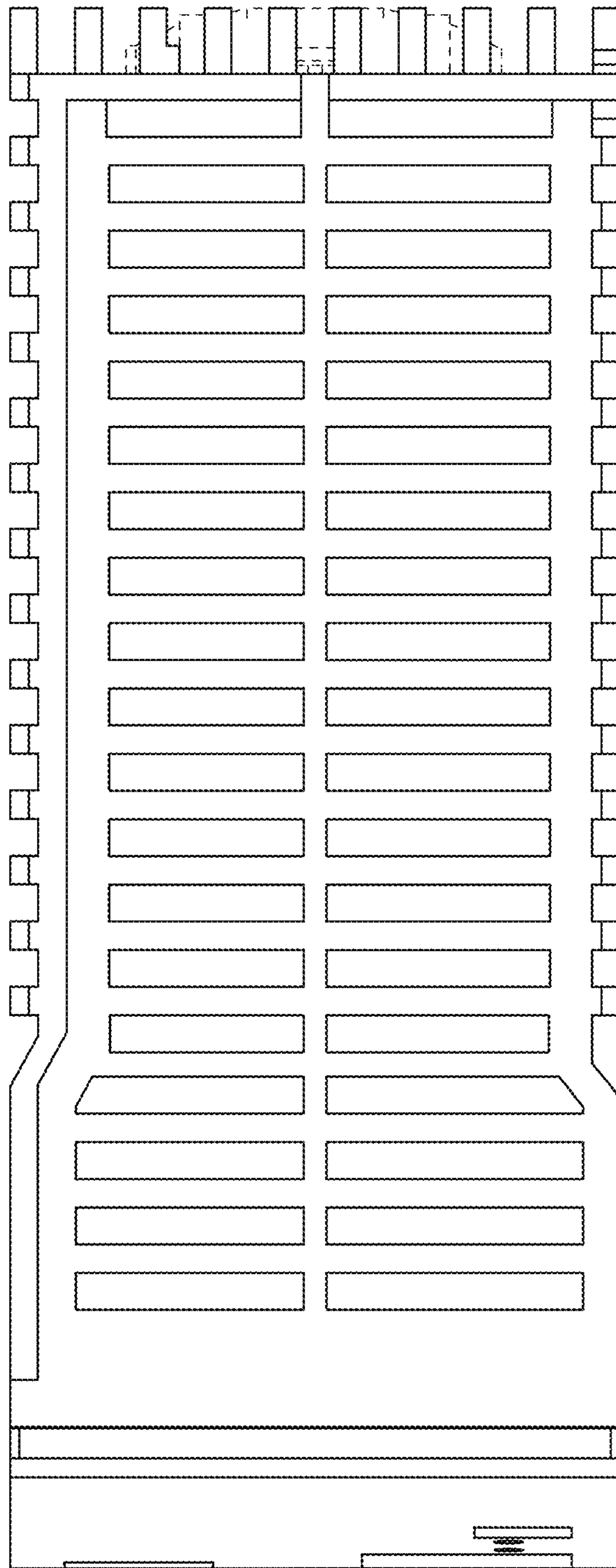


FIG. 6

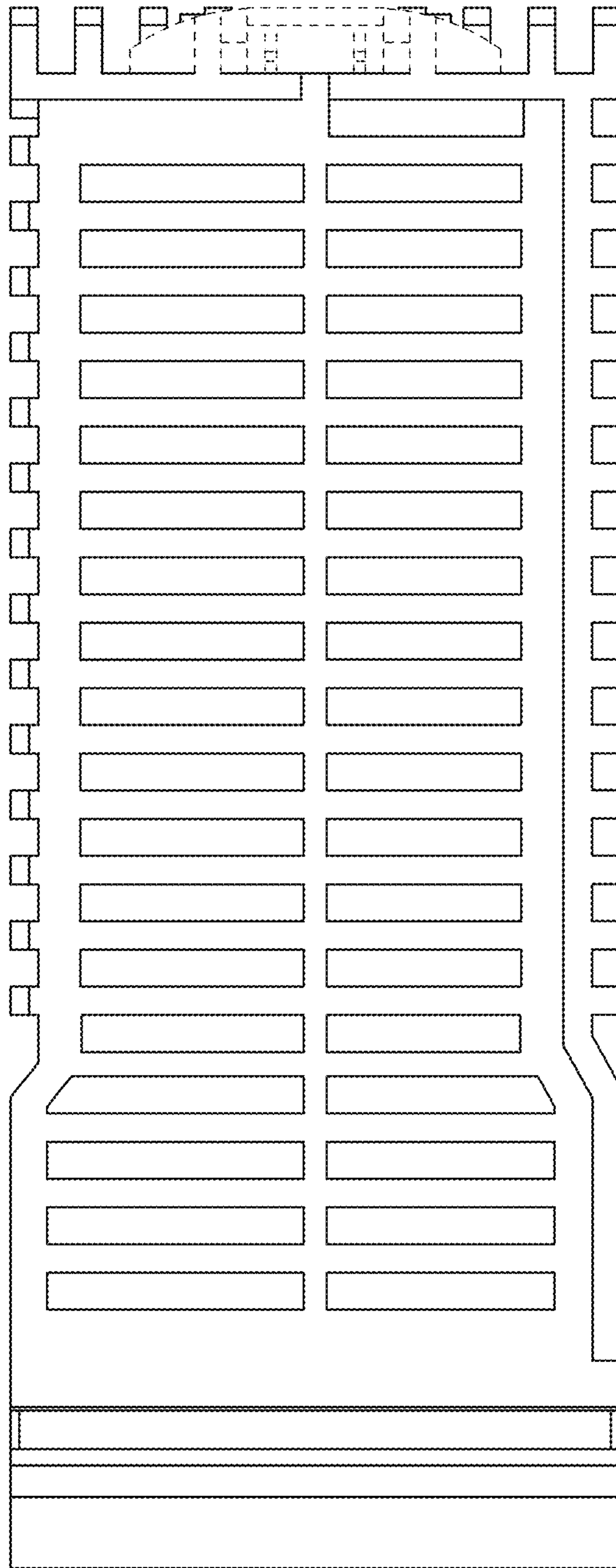


FIG. 7