



US00D825457S

(12) **United States Design Patent**
Yang

(10) **Patent No.:** **US D825,457 S**

(45) **Date of Patent:** **** Aug. 14, 2018**

- (54) **INVERTER BATTERY CHARGER**
- (71) Applicant: **Ningbo Gude Electronic Technology Co., Ltd**, Zhejiang Province (CN)
- (72) Inventor: **Zhaolin Yang**, Zhejiang Province (CN)
- (**) Term: **15 Years**
- (21) Appl. No.: **29/562,805**
- (22) Filed: **Apr. 29, 2016**
- (51) **LOC (11) Cl.** **13-02**
- (52) **U.S. Cl.**
USPC **D13/107**
- (58) **Field of Classification Search**
USPC D13/107–110, 118–119, 184; D14/251, D14/253, 432, 434
CPC Y02E 60/12; Y02T 90/14; Y02T 90/122; Y02T 90/128; Y02T 90/163; Y02T 10/7005; Y02T 10/705; Y02T 10/7088; H02J 7/025; H02J 7/0042; H02J 7/0044; H02J 7/0045; H02J 7/0003; H02J 7/0034; H02J 7/0054; H02J 7/1423; H02J 2001/006; H01F 38/14; H01R 13/6675; H01M 2/1022; H01M 2/1055; H01M 10/44; H01M 10/46; H01M 10/425; B60L 11/182
See application file for complete search history.

D504,396 S *	4/2005	Hussaini	D13/107
D504,660 S *	5/2005	Krieger	D13/107
D506,975 S *	7/2005	Krieger	D13/107
D508,675 S *	8/2005	Krieger	D13/107
D512,685 S *	12/2005	Krieger	D13/107
D513,733 S *	1/2006	Krieger	D13/107
D514,508 S *	2/2006	Krieger	D13/107
D514,509 S *	2/2006	Krieger	D13/107
D517,983 S *	3/2006	Krieger	D13/107
D523,395 S *	6/2006	Krieger	D13/107
D545,269 S *	6/2007	Dayan	D13/107
D545,270 S *	6/2007	Dayan	D13/107
D706,710 S *	6/2014	Inskeep	D13/107

* cited by examiner

Primary Examiner — Rosemary K Tarcza

(74) *Attorney, Agent, or Firm* — Prakash Nama; Global IP Services, PLLC

(57) **CLAIM**

The ornamental design for an inverter battery charger, as shown and described.

DESCRIPTION

FIG. 1 is a front elevational view of an inverter battery charger showing my new design;
 FIG. 2 is a rear elevational view thereof;
 FIG. 3 is a left side view thereof;
 FIG. 4 is a right side view thereof;
 FIG. 5 is a top plan view thereof;
 FIG. 6 is a bottom plan view thereof;
 FIG. 7 is a perspective view thereof; and,
 FIG. 8 is a second perspective view thereof.

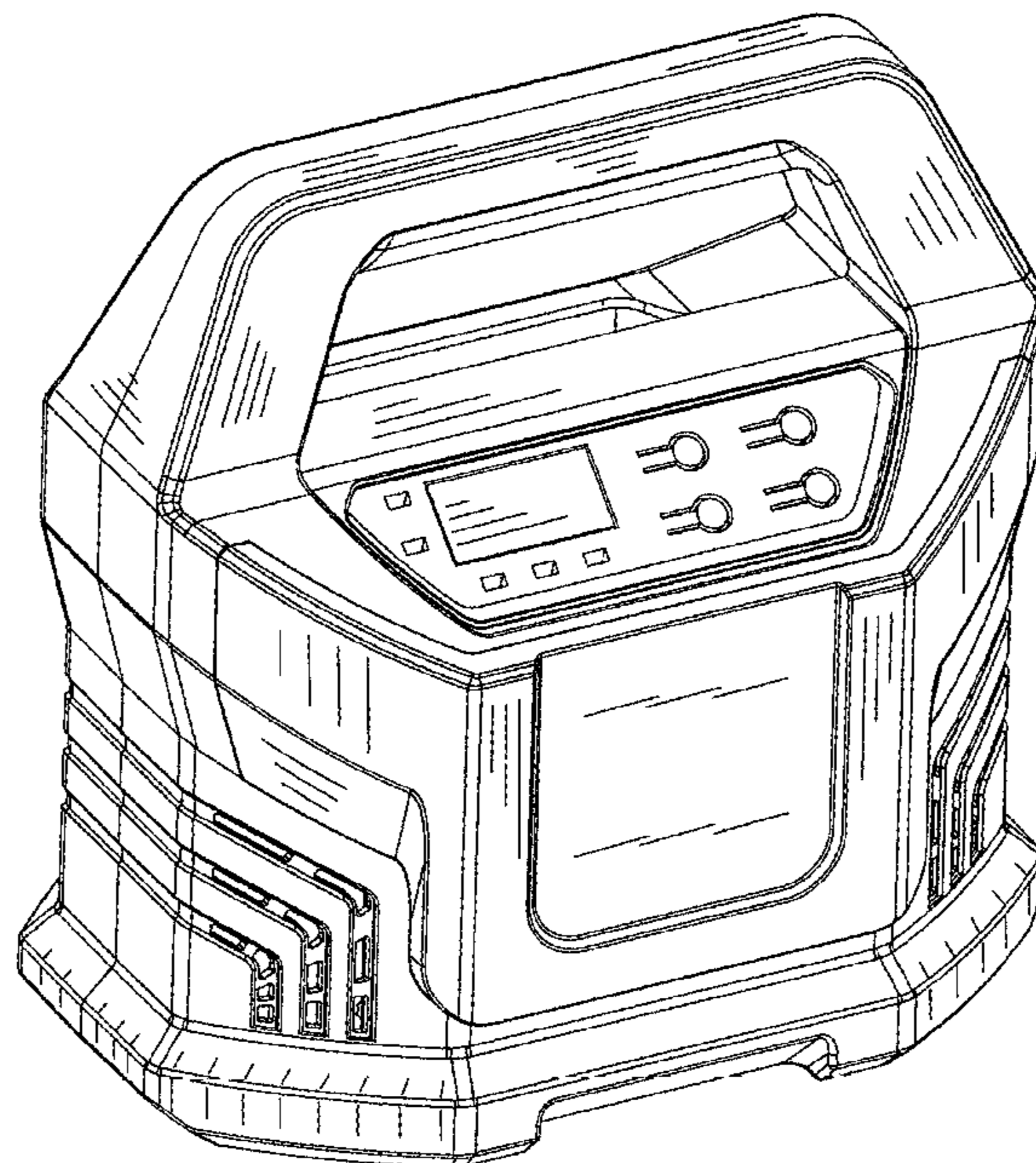
The broken lines shown in the drawings are included for the purpose of illustrating portions of the inverter battery charger that form no part of the claimed design.

1 Claim, 8 Drawing Sheets

(56) **References Cited**

U.S. PATENT DOCUMENTS

D483,326 S *	12/2003	Krieger	D13/107
D491,139 S *	6/2004	Krieger	D13/107
D491,141 S *	6/2004	Krieger	D13/107
D503,148 S *	3/2005	Krieger	D13/107
D503,378 S *	3/2005	Hussaini	D13/107



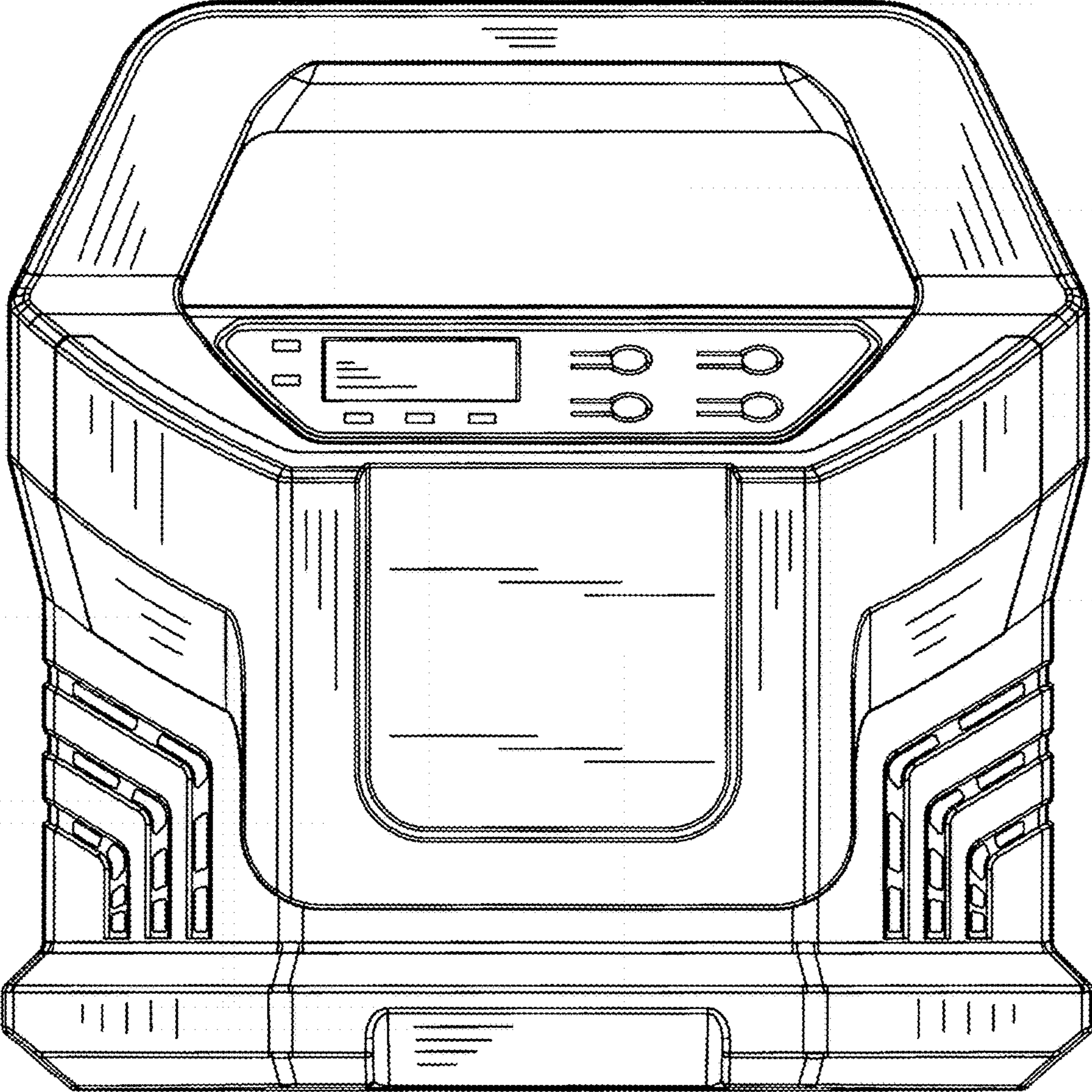


FIG. 1

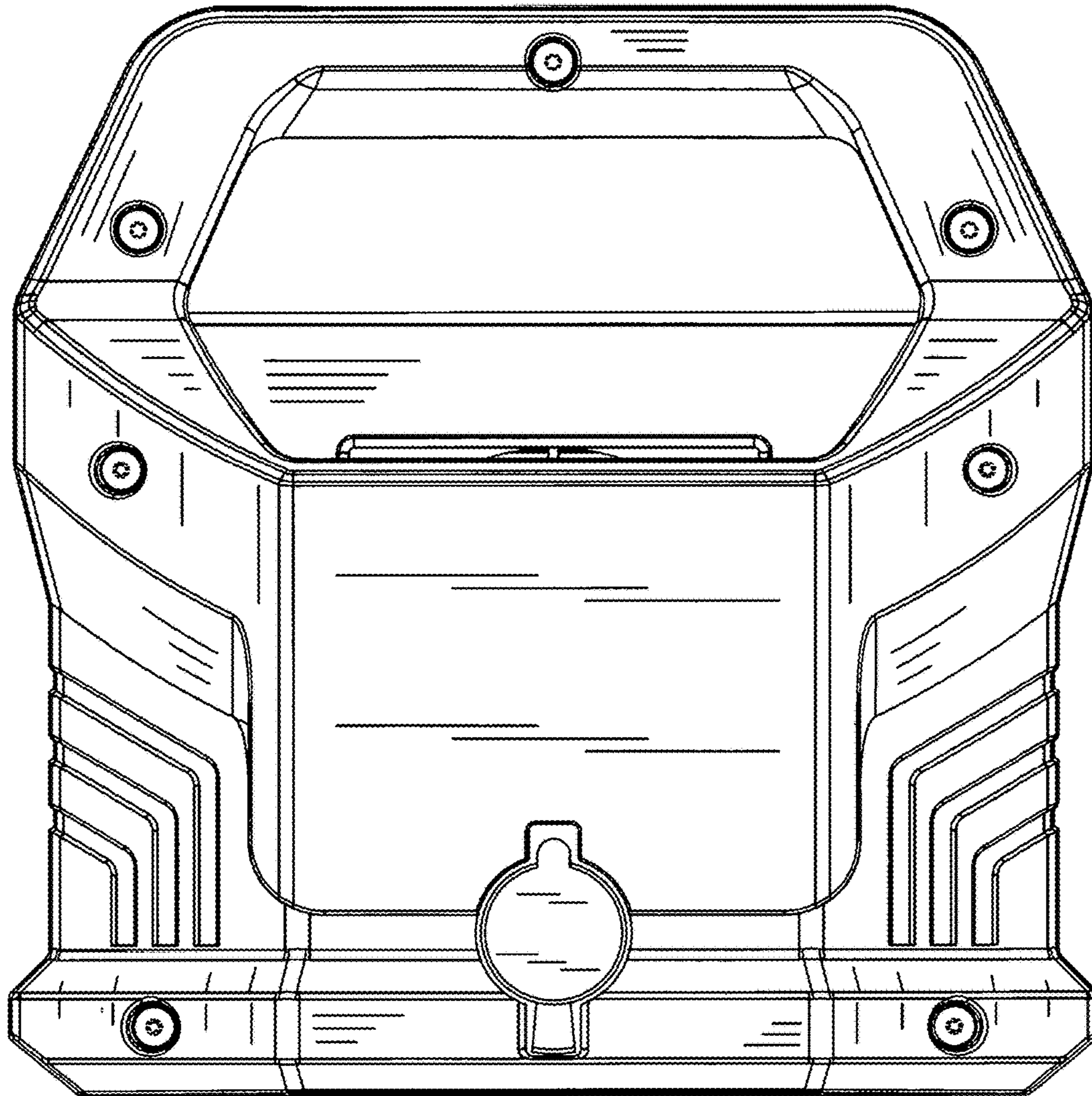


FIG. 2

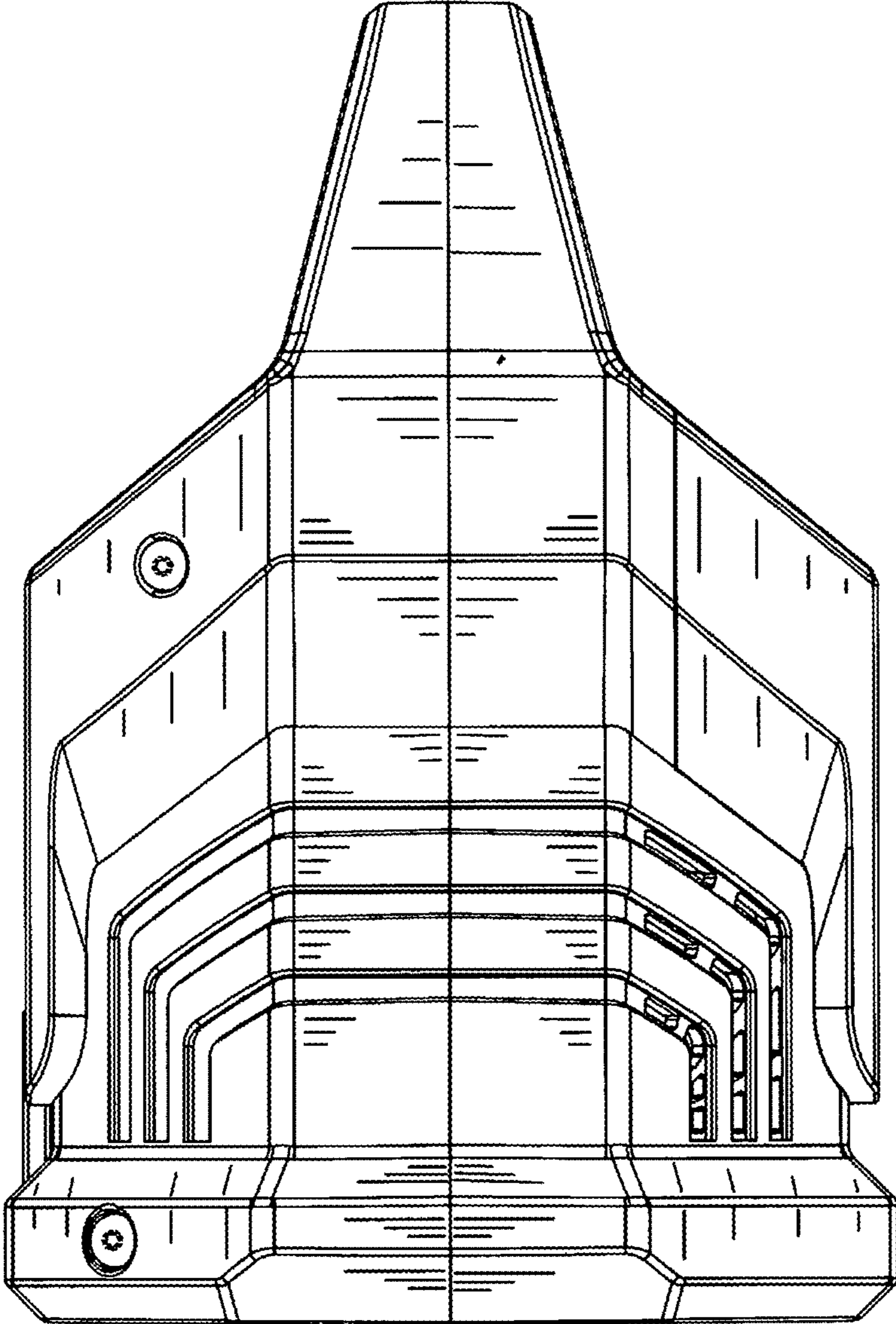


FIG. 3

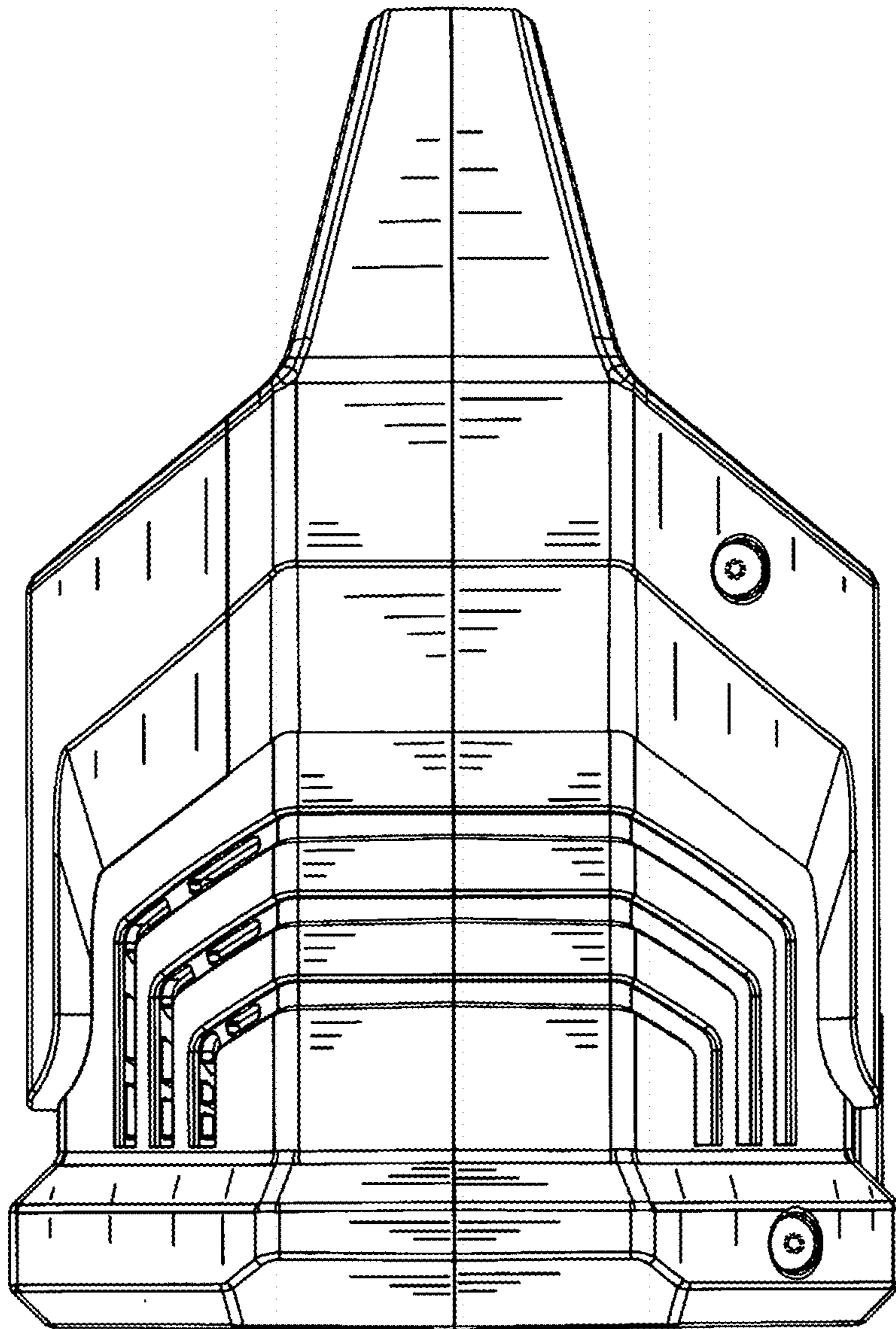


FIG. 4

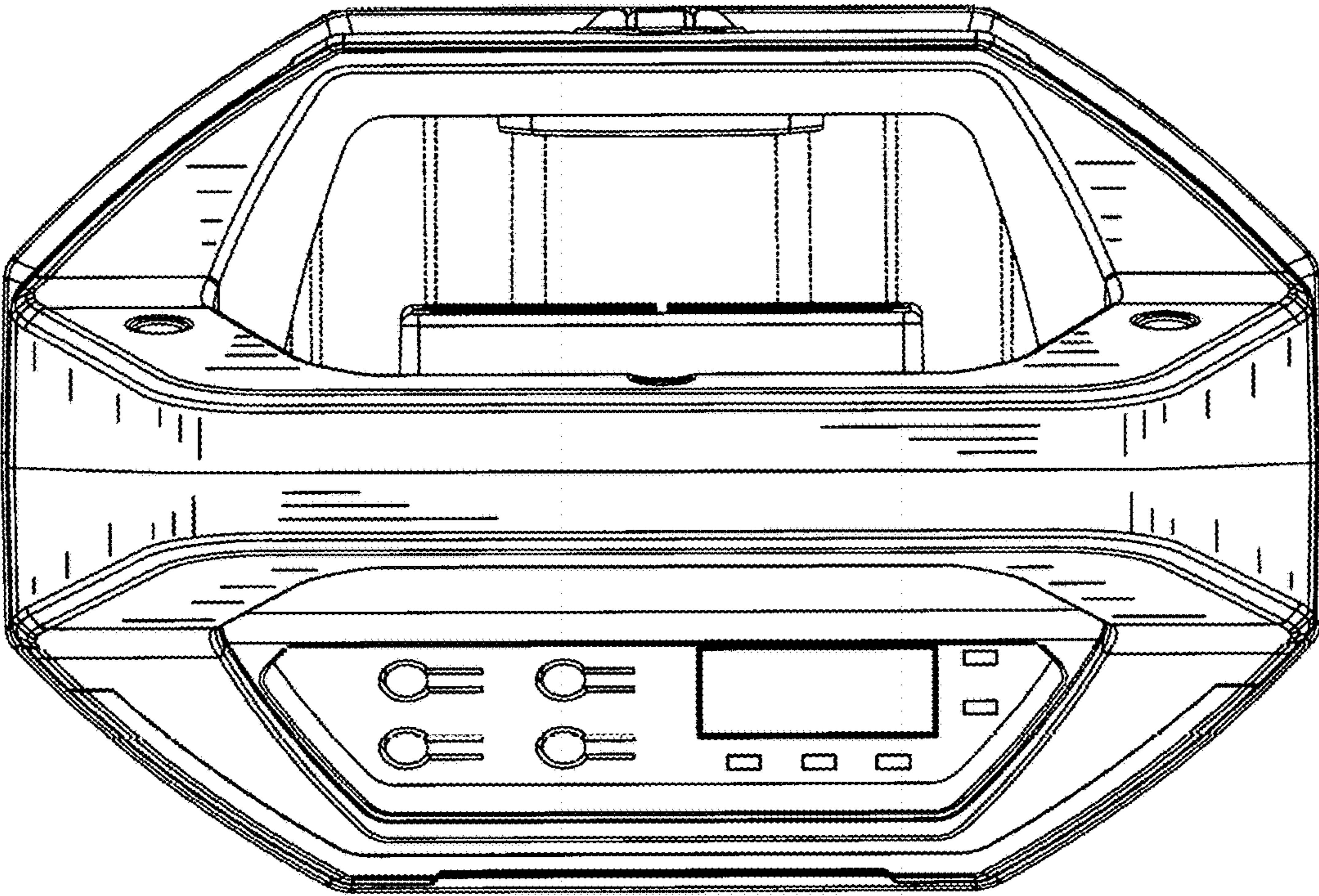


FIG. 5

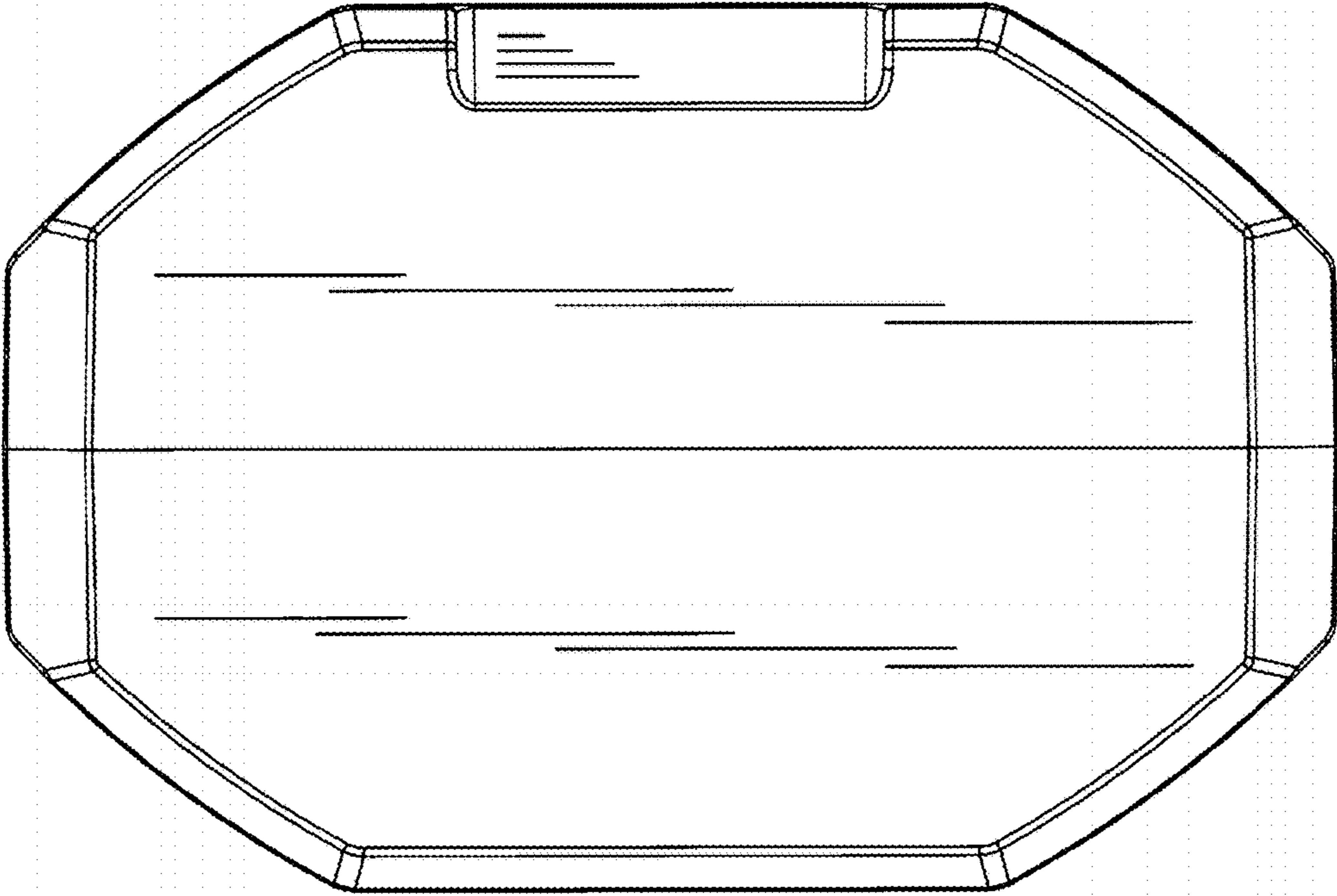


FIG. 6

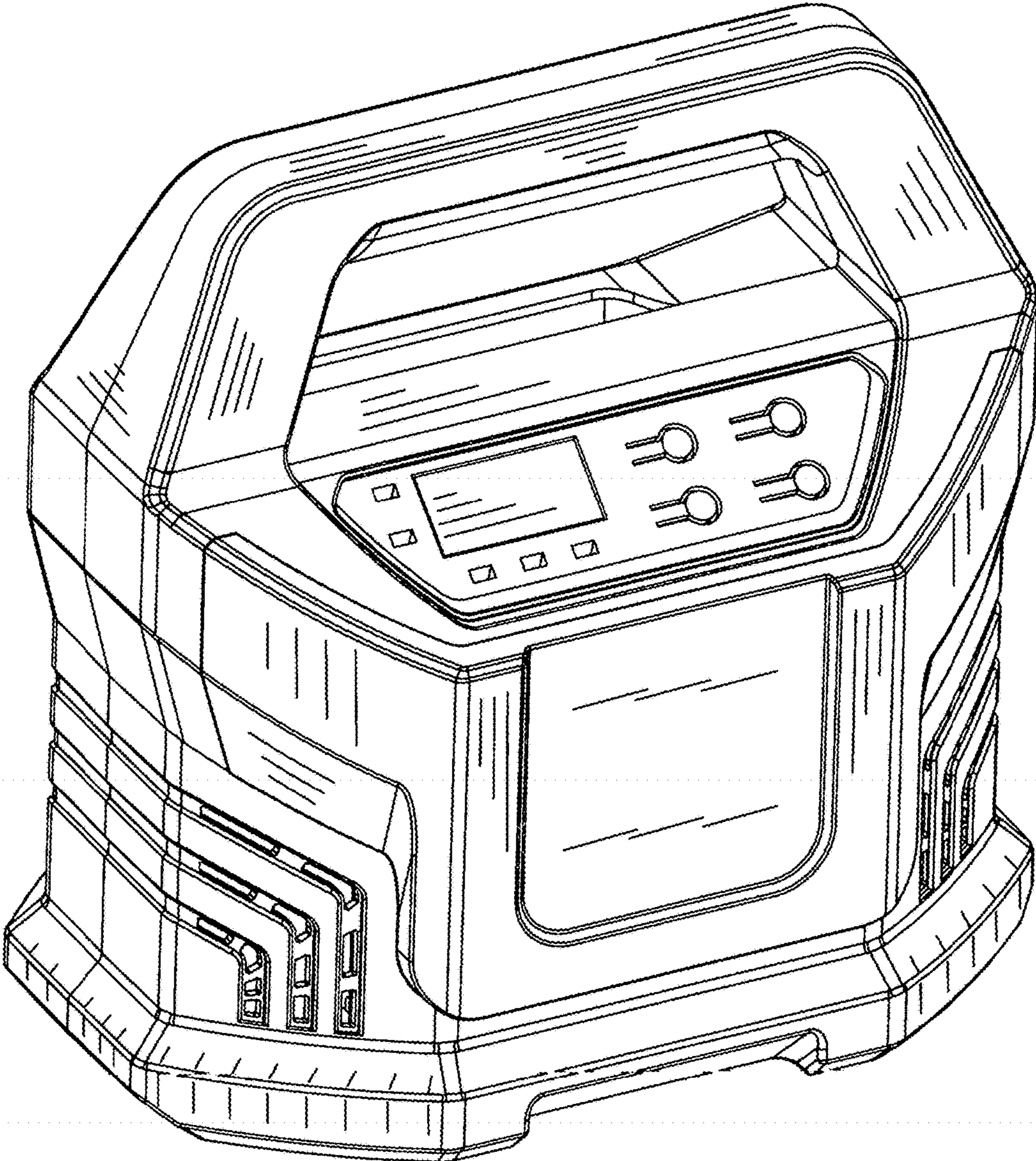


FIG. 7

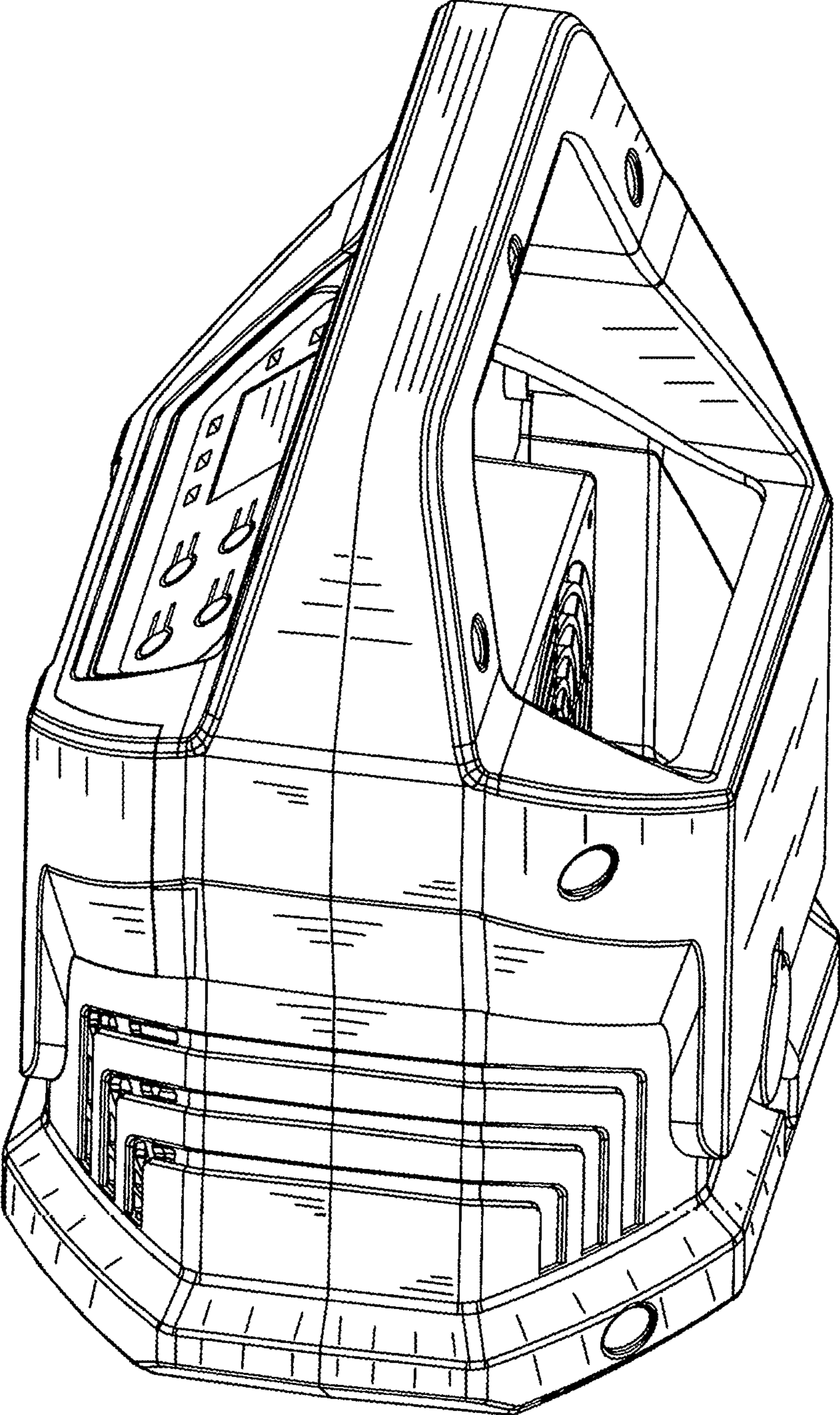


FIG. 8