



US00D825455S

(12) **United States Design Patent** (10) **Patent No.:** **US D825,455 S**  
**Liu et al.** (45) **Date of Patent:** **\*\* Aug. 14, 2018**

(54) **BATTERY**

H02J 7/0003; H02J 7/0011; H02J 7/0013;  
H02J 7/0054; H02J 7/0055; H02J 7/0057;  
H02J 2007/0062

(71) Applicant: **HUIZHOU KIMREE TECHNOLOGY CO., LTD.**  
**SHENZHEN BRANCH**, Shenzhen, Guangdong (CN)

See application file for complete search history.

(72) Inventors: **Qiuming Liu**, Guangdong (CN);  
**Zhiyong Xiang**, Guangdong (CN);  
**Jianhua Niu**, Guangdong (CN); **Zhilin Wei**, Guangdong (CN)

(56) **References Cited**

U.S. PATENT DOCUMENTS

4,993,435 A \* 2/1991 McCann ..... A24F 13/00  
131/175  
D729,444 S \* 5/2015 Leidel ..... D27/163  
D730,572 S \* 5/2015 Leidel ..... D27/163

(Continued)

(73) Assignee: **HUIZHOU KIMREE TECHNOLOGY CO., LTD.**  
**SHENZHEN BRANCH**, Shenzhen, Guangdong (CN)

OTHER PUBLICATIONS

Kimsun Shark TC60W Box Mod, by Kimsun Vapor, published on Jan. 4, 2017 on youtube.com, retrieved on Jun. 29, 2017, retrieved from the Internet: URL<<https://www.youtube.com/watch?v=vsR7kofYbMw>>.\*

(\*\*) Term: **15 Years**

*Primary Examiner* — Rosemary K Tarcza  
*Assistant Examiner* — Alison M Ofstun

(21) Appl. No.: **29/575,716**

(22) Filed: **Aug. 28, 2016**

(74) *Attorney, Agent, or Firm* — U.S. Fairsky LLP; Yue (Robert) Xu

(51) **LOC (11) Cl.** ..... **13-02**

(52) **U.S. Cl.**  
USPC ..... **D13/103; D27/101**

(58) **Field of Classification Search**  
USPC ..... D13/102–110, 118–119, 184, 199;  
D14/356, 432, 251, 253, 434; D27/163,  
D27/101, 167, 141, 186, 189, 194, 154,  
D27/160, 161

CPC ..... Y02E 60/10; Y02E 60/12; Y02E 60/122;  
Y02E 60/124; Y02E 60/50; H01M 2/02;  
H01M 2/022; H01M 2/0202; H01M  
2/0207; H01M 2/0212; H01M 2/1061;  
H01M 2/1022; H01M 2/1055; H01M  
2/1066; H01M 2/105; H01M 2/20; H01M  
2/202; H01M 2/204; H01M 2/206; H01M  
10/44; H01M 10/46; H01M 10/465;  
H01M 10/482; H01M 2200/30; H01M  
2250/30; H01M 2250/40; H01M 10/4257;  
H01M 10/0436; H01M 10/48; H02J 7/00;

(57) **CLAIM**

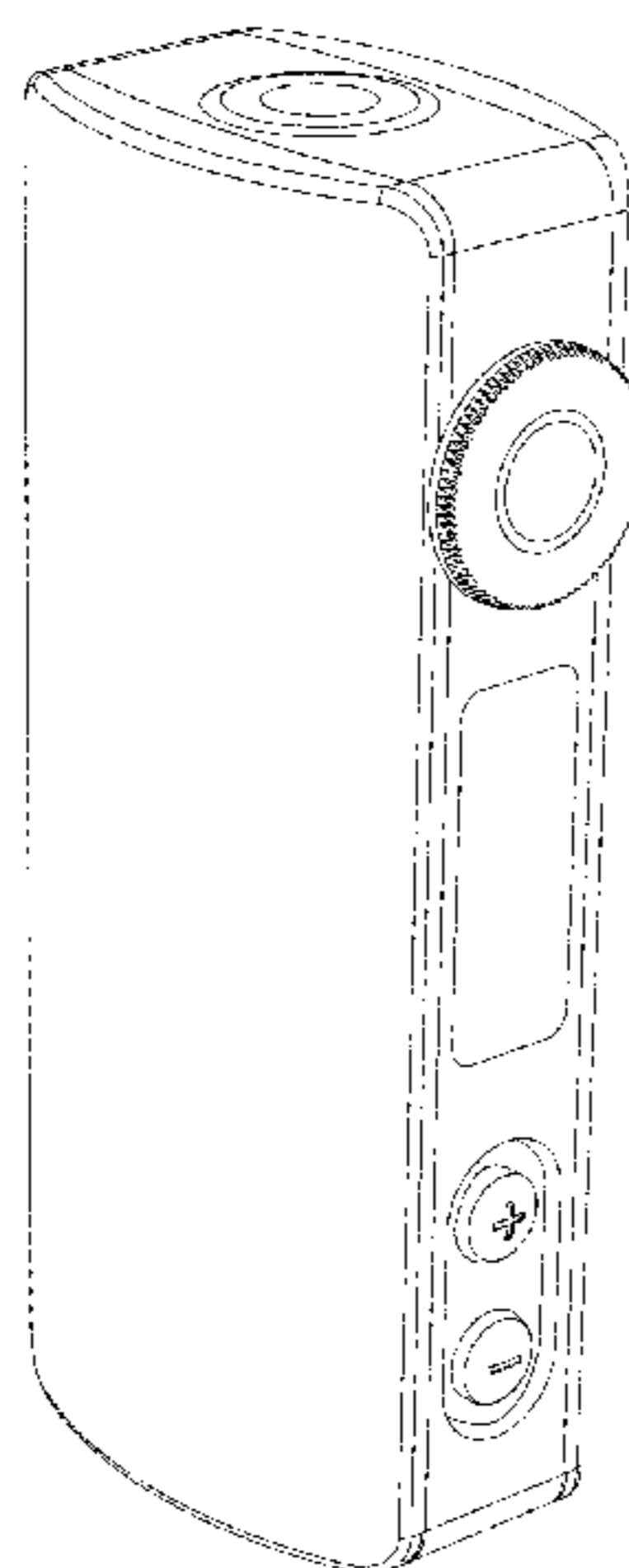
The ornamental design for a battery, as shown and described.

**DESCRIPTION**

FIG. 1 is a front view of a battery, showing our new design;  
FIG. 2 is a rear view thereof;  
FIG. 3 is a left view thereof;  
FIG. 4 is a right view thereof;  
FIG. 5 is an enlarged top view thereof;  
FIG. 6 is an enlarged bottom view thereof;  
FIG. 7 is a top perspective view thereof; and,  
FIG. 8 is a bottom perspective view thereof.

The broken lines present in the figures are included for the purpose of illustrating portions of the battery which form no part of the claimed design.

**1 Claim, 8 Drawing Sheets**



(56)

**References Cited**

U.S. PATENT DOCUMENTS

D731,114 S *	6/2015	Leidel .....	D27/163
D733,356 S *	6/2015	Leidel .....	D27/163
D748,325 S *	1/2016	Leidel .....	D27/163
D758,656 S *	6/2016	Freshwater .....	D27/163
D765,594 S *	9/2016	Li .....	D13/103
D770,678 S *	11/2016	Shin .....	D27/163
D772,477 S *	11/2016	Shin .....	D27/163
D776,051 S *	1/2017	Wang .....	D13/103
D790,766 S *	6/2017	Li .....	D27/163
2017/0079327 A1 *	3/2017	Wu .....	A24F 47/008

\* cited by examiner

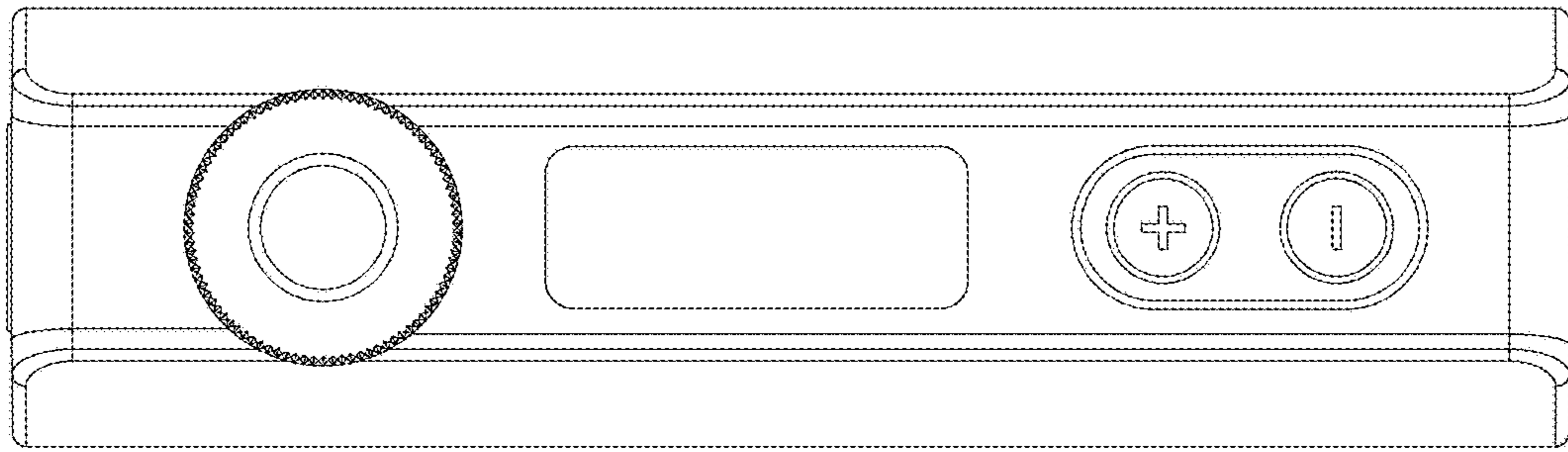


Figure 1

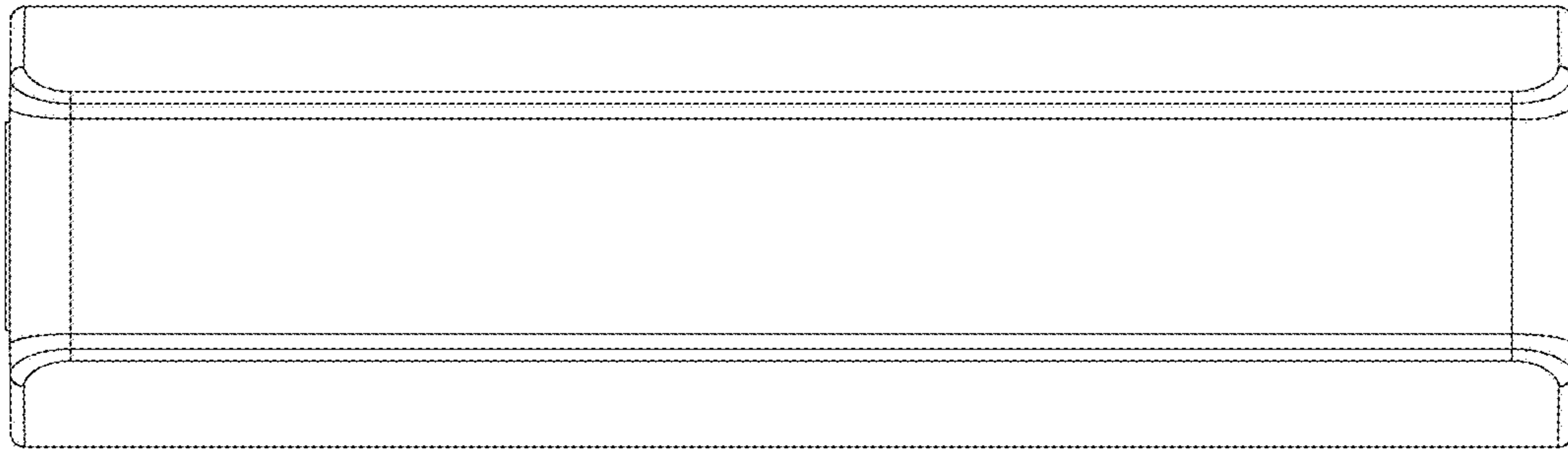


Figure 2

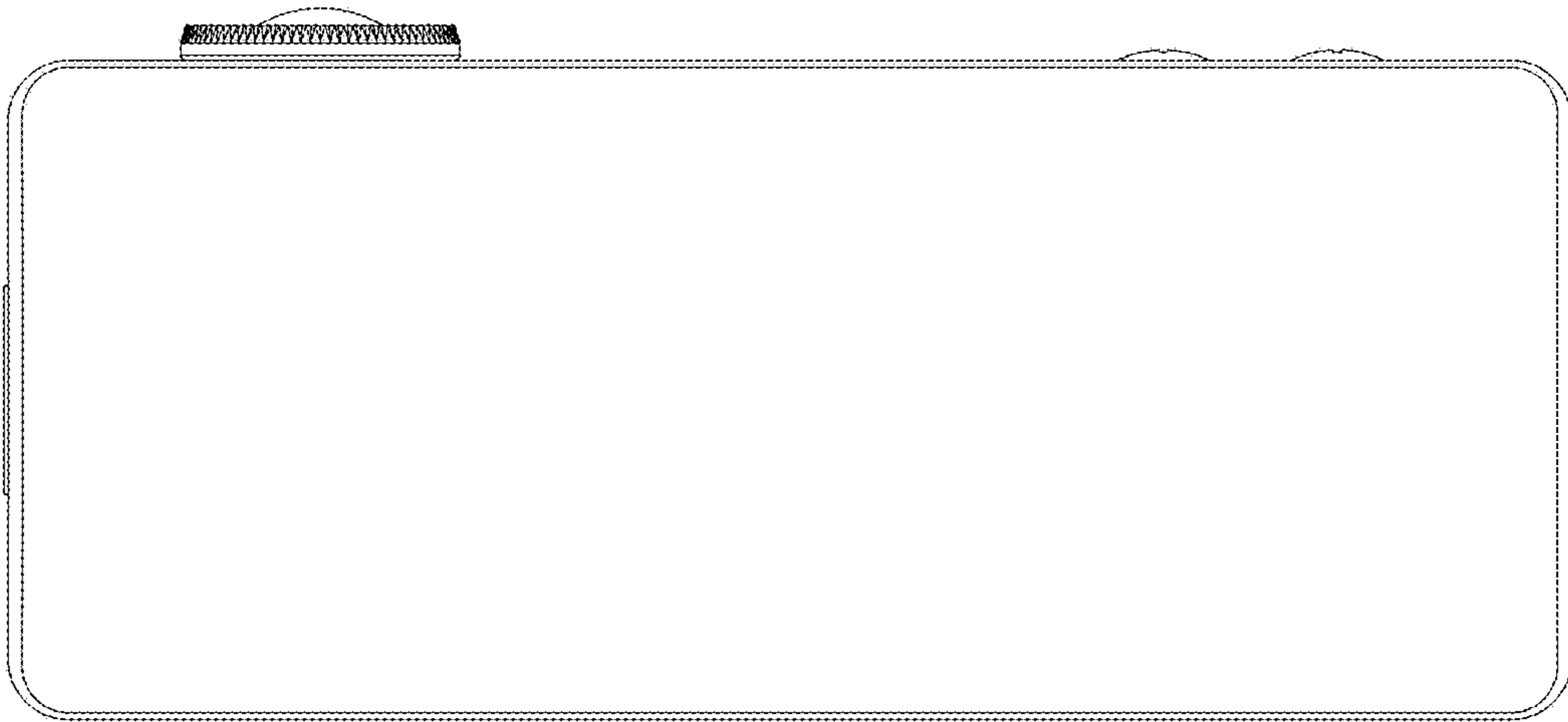


Figure 3

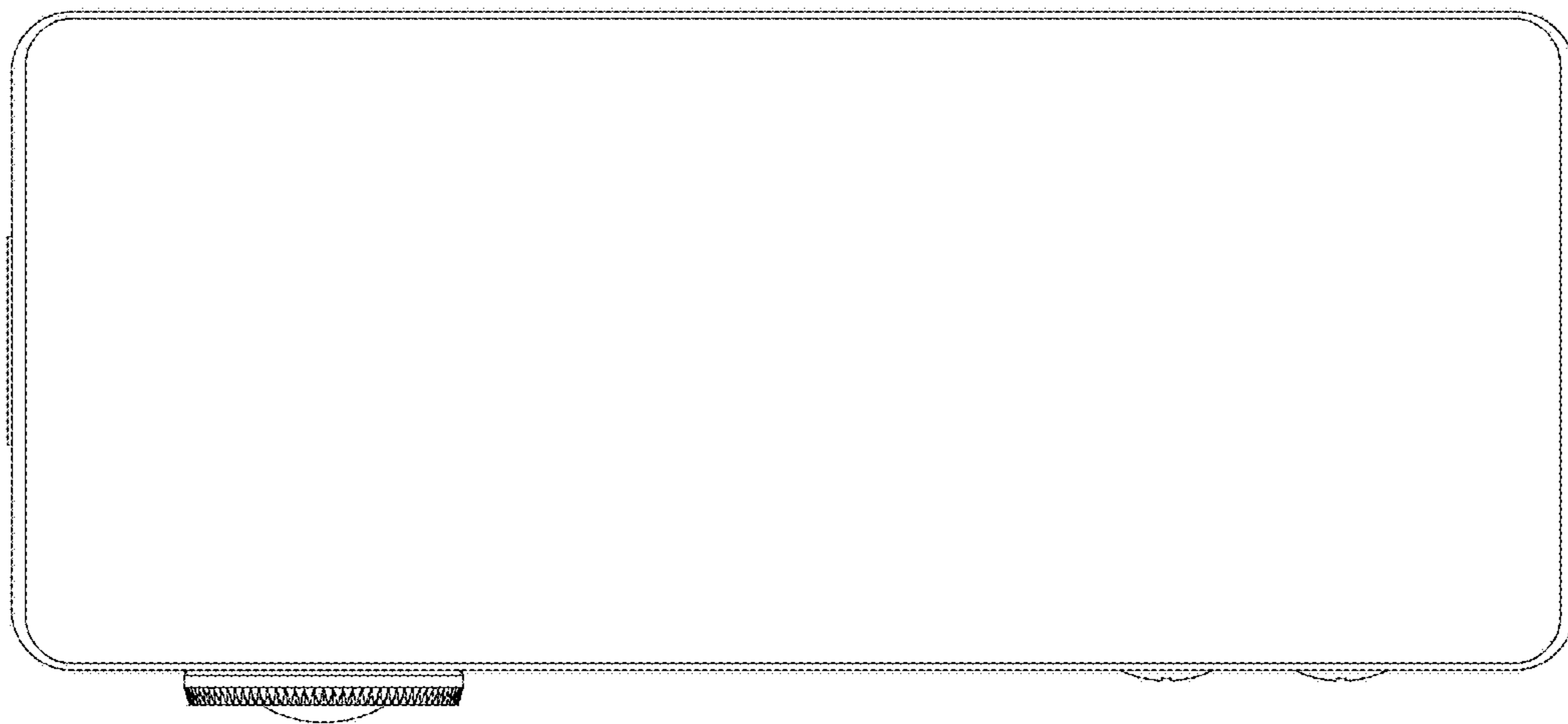


Figure 4

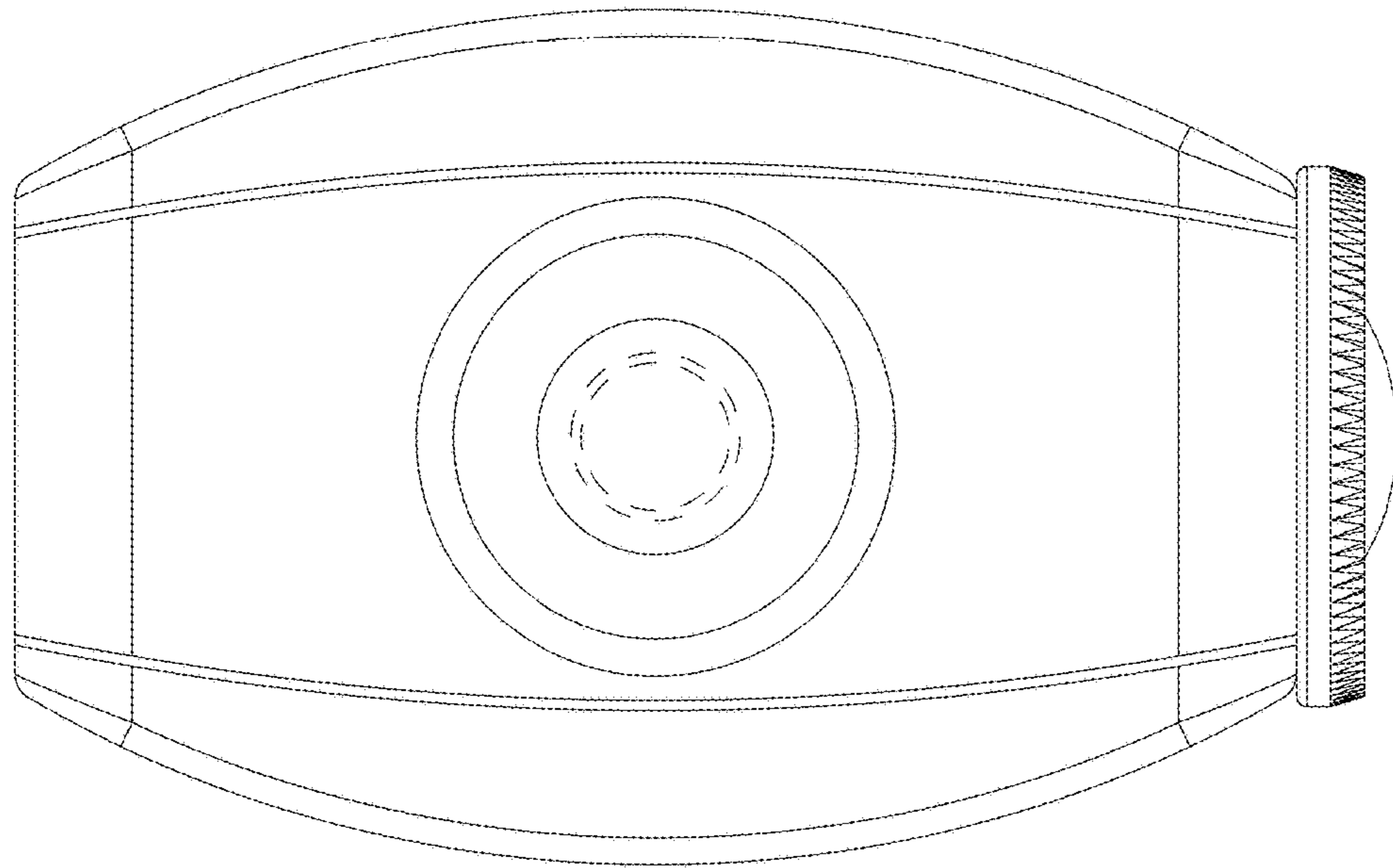


Figure 5

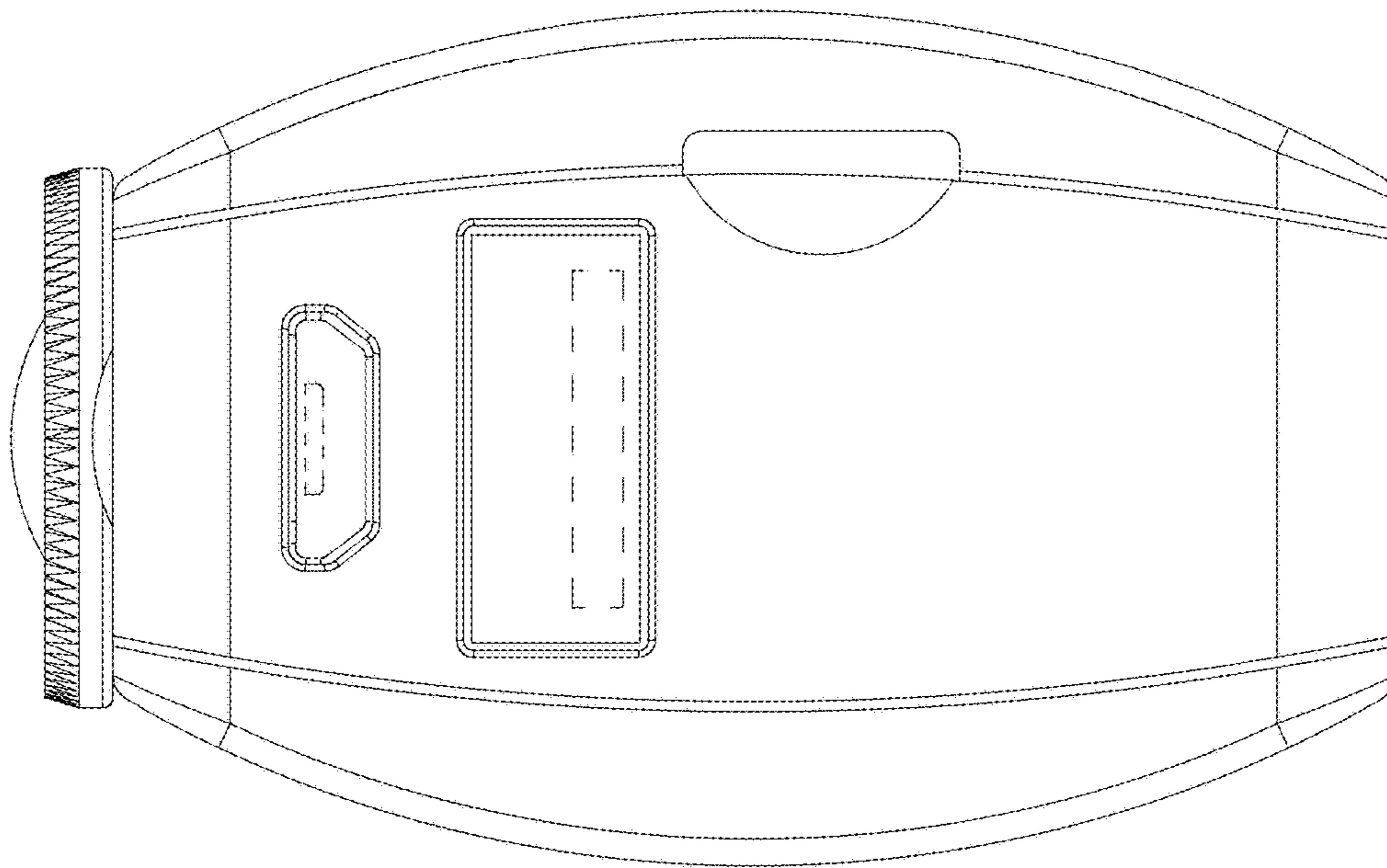


Figure 6



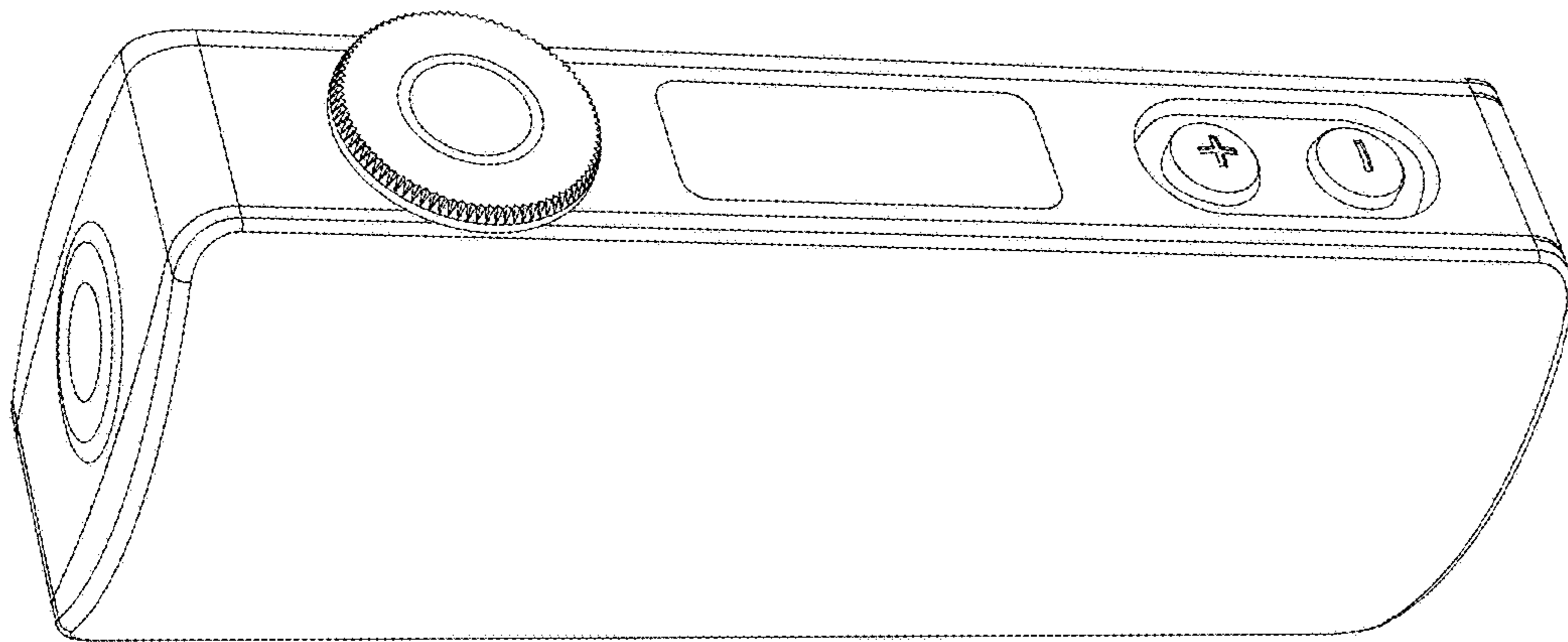


Figure 7

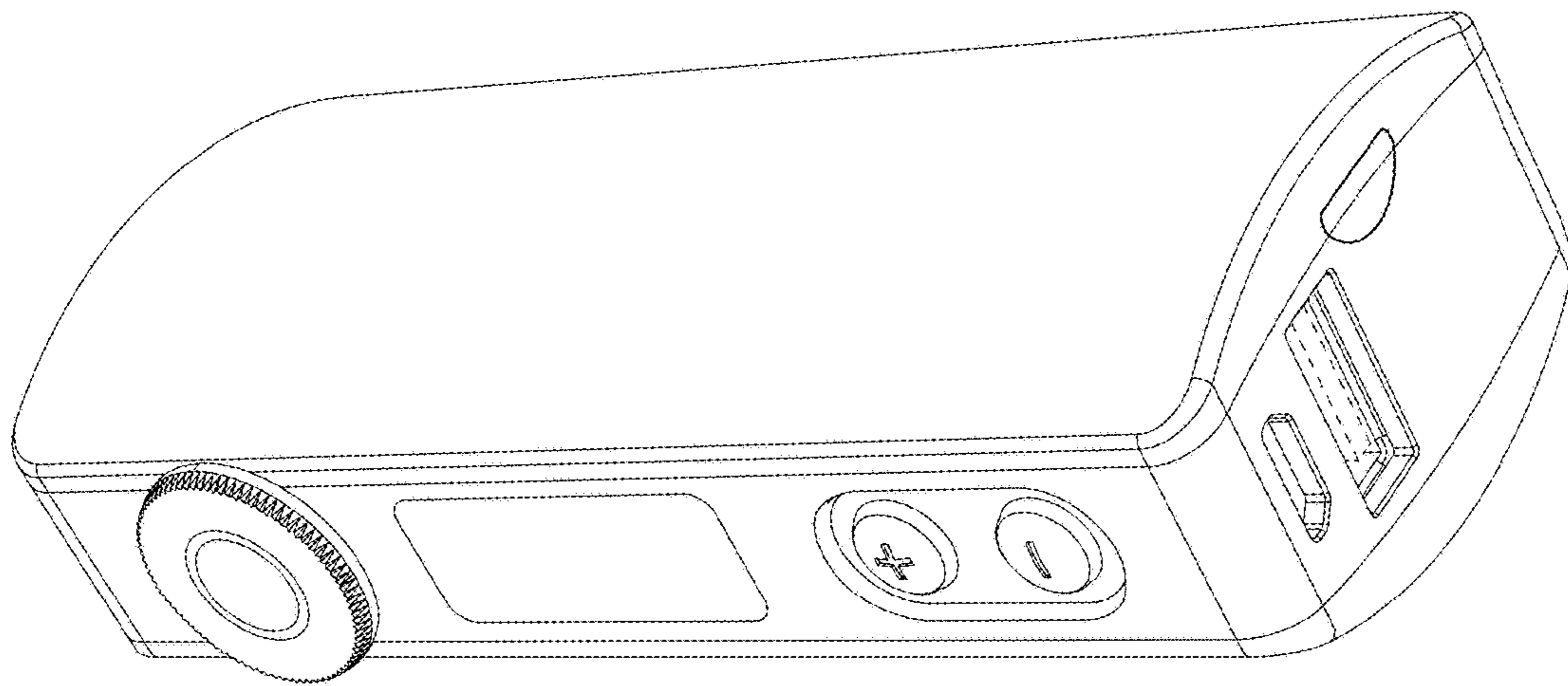


Figure 8