



US00D825454S

(12) **United States Design Patent**
Xing

(10) **Patent No.:** **US D825,454 S**

(45) **Date of Patent:** **** Aug. 14, 2018**

(54) **SOLAR STAND**

(71) Applicant: **Yaping Xing**, Live Oak, FL (US)

(72) Inventor: **Yaping Xing**, Live Oak, FL (US)

(**) Term: **15 Years**

(21) Appl. No.: **29/619,359**

(22) Filed: **Sep. 28, 2017**

(51) **LOC (11) Cl.** **13-02**

(52) **U.S. Cl.**
USPC **D13/102**

(58) **Field of Classification Search**

USPC D13/102, 101, 118, 184, 199; D6/403,
D6/556, 565, 680; 108/25, 26, 115, 118,
108/119, 161; 136/206, 243, 244, 245,
136/252; 320/101, 102, 114, 115, 120
CPC H01L 31/022433; H01L 31/0224; H01L
31/0475; H01L 31/042; F24J 2/36; F24J
2/523; F24J 2/5235; Y02E 10/50; H02J
7/355

See application file for complete search history.

(56) **References Cited**

U.S. PATENT DOCUMENTS

D336,800 S * 6/1993 Tobias D6/680
D470,688 S * 2/2003 Lam D6/680

D583,757 S * 12/2008 Sodemann D13/122
D663,260 S * 7/2012 Fischer D13/102
D669,848 S * 10/2012 Andresen D13/102
D718,704 S * 12/2014 Rizzo D13/102
D769,183 S * 10/2016 Kubitz D13/102

* cited by examiner

Primary Examiner — Derrick Holland

(57) **CLAIM**

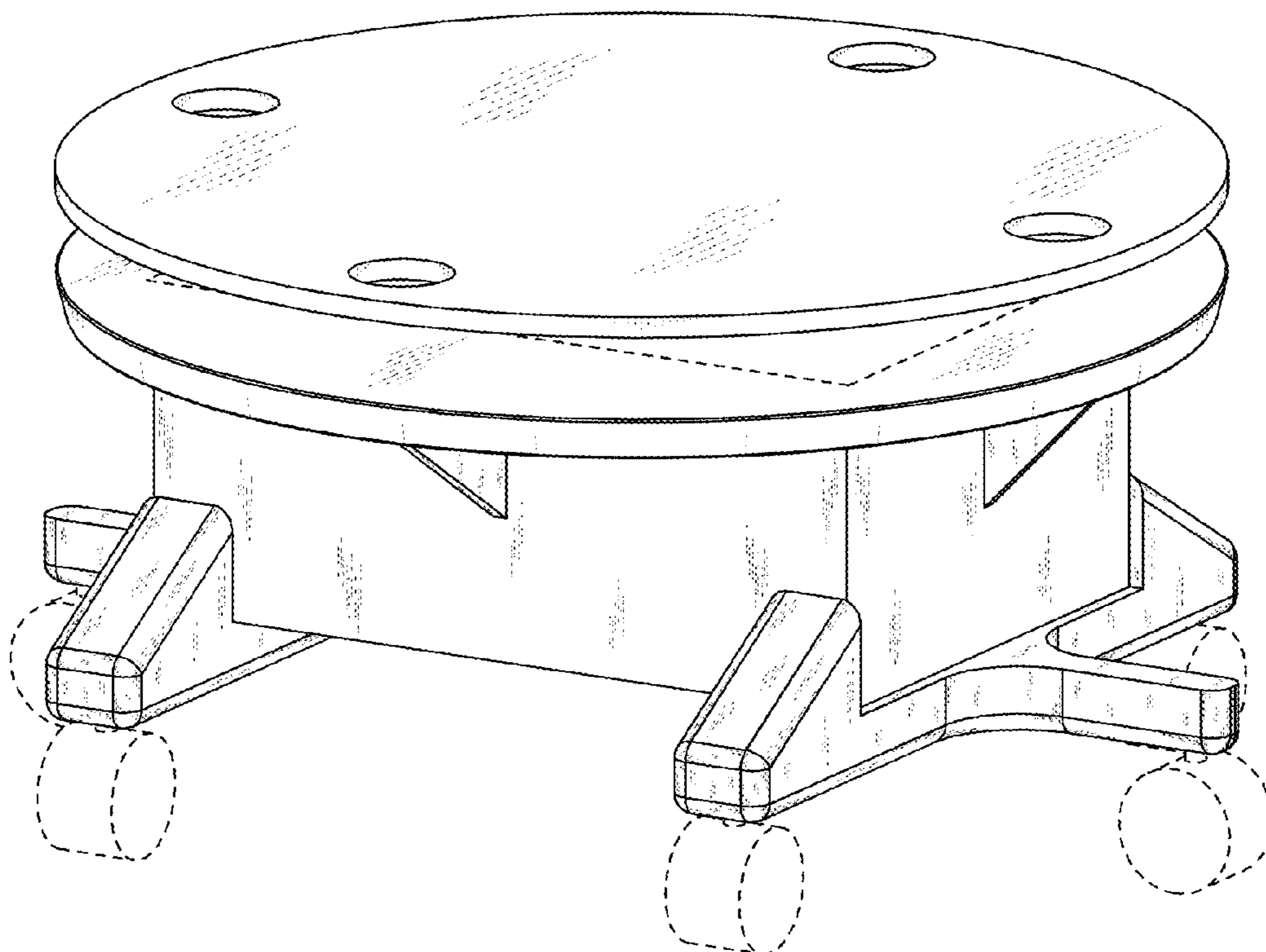
The ornamental design for a solar stand, as shown and described.

DESCRIPTION

FIG. 1 is a top perspective view of a solar stand;
FIG. 2 is a bottom perspective view thereof;
FIG. 3 is a front elevational view thereof, a rear elevational
view being a mirror image thereof;
FIG. 4 is a right side elevational view thereof, a left side
elevational view being a mirror image thereof;
FIG. 5 is a top plan view thereof; and,
FIG. 6 is a bottom plan view thereof.

The broken line showing of rollers and other features is included for the purpose of illustrating environmental structure and forms no part of the claimed design.

1 Claim, 6 Drawing Sheets



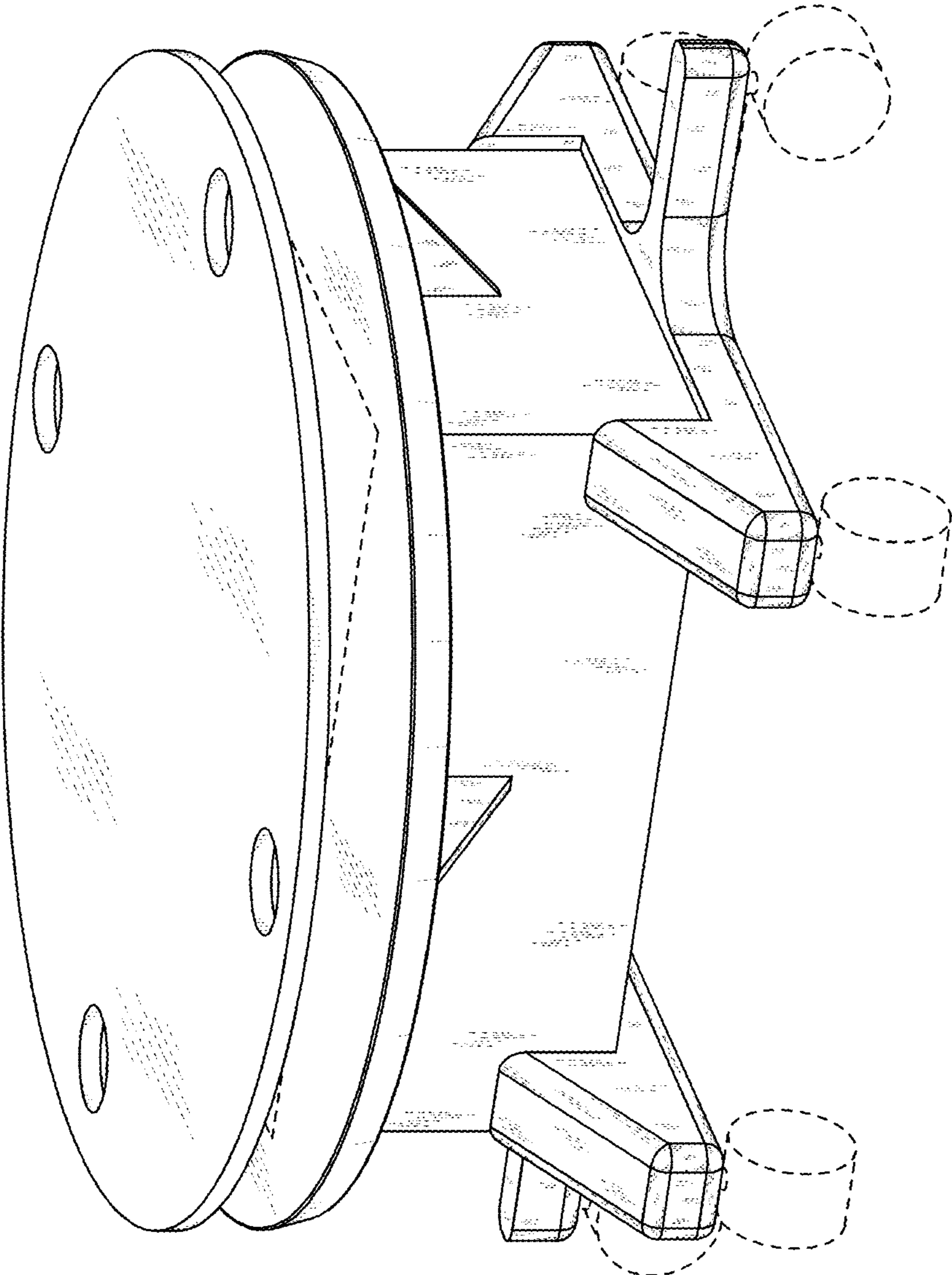


FIG. 1

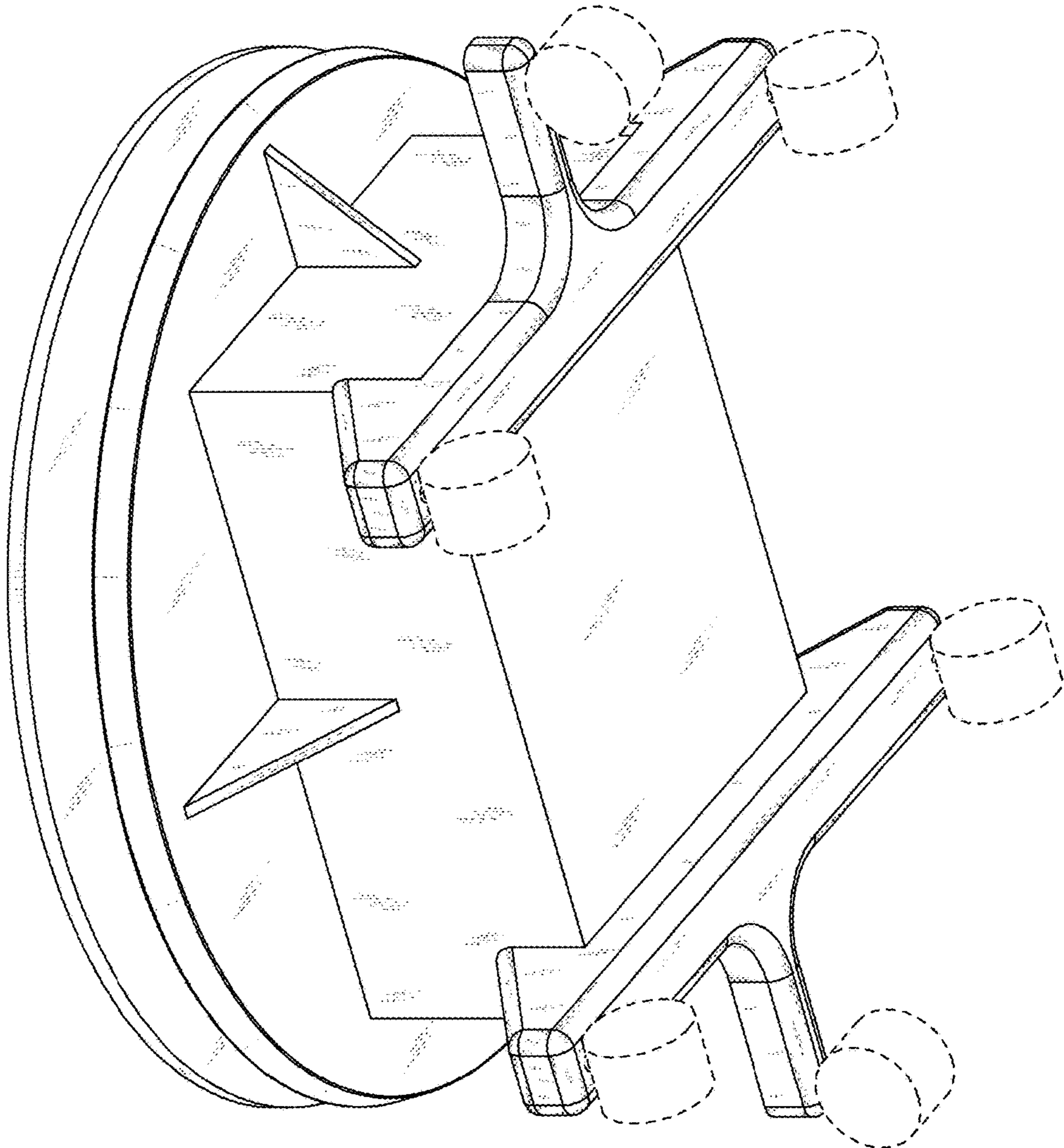


FIG. 2

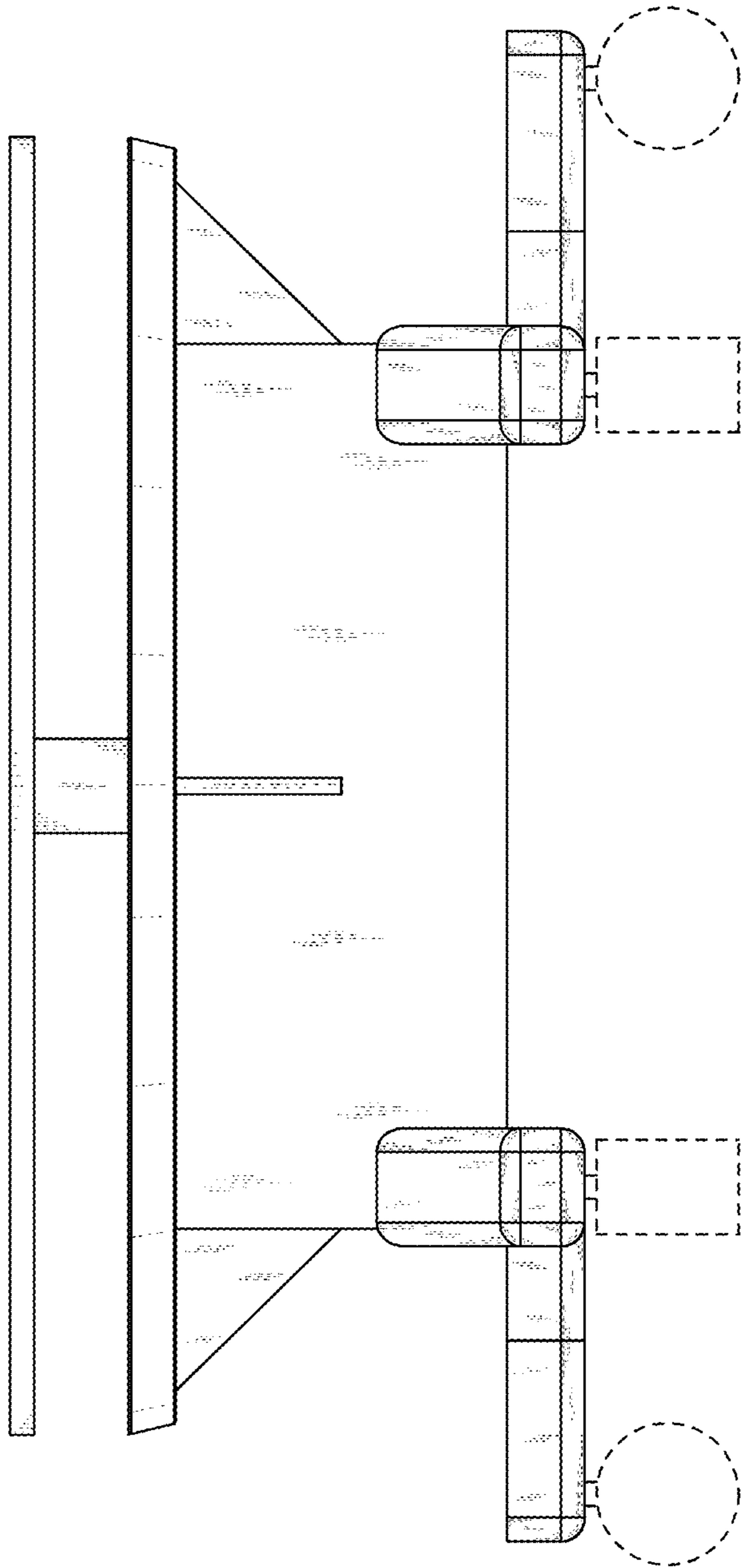


FIG. 3

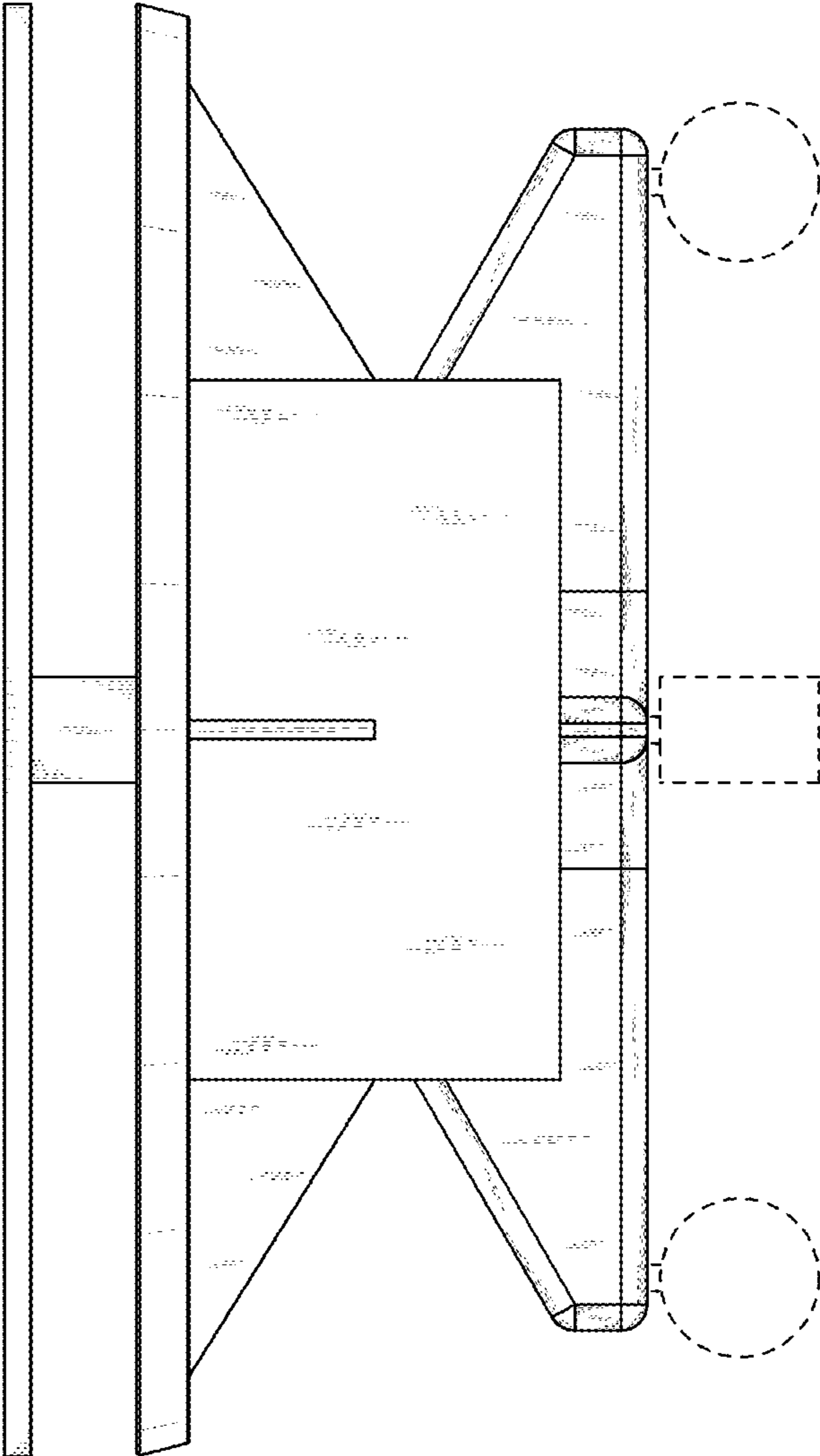


FIG. 4

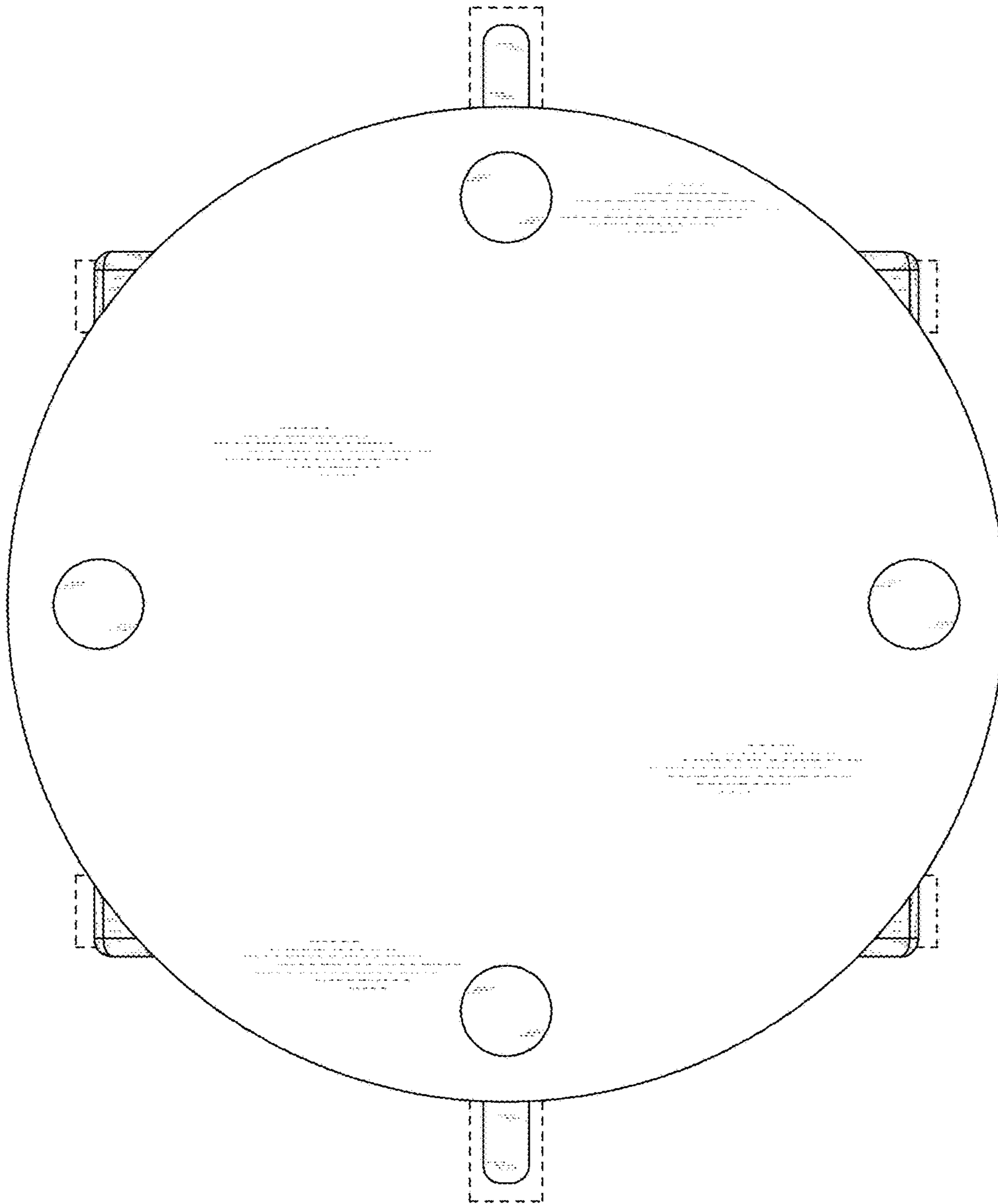


FIG. 5

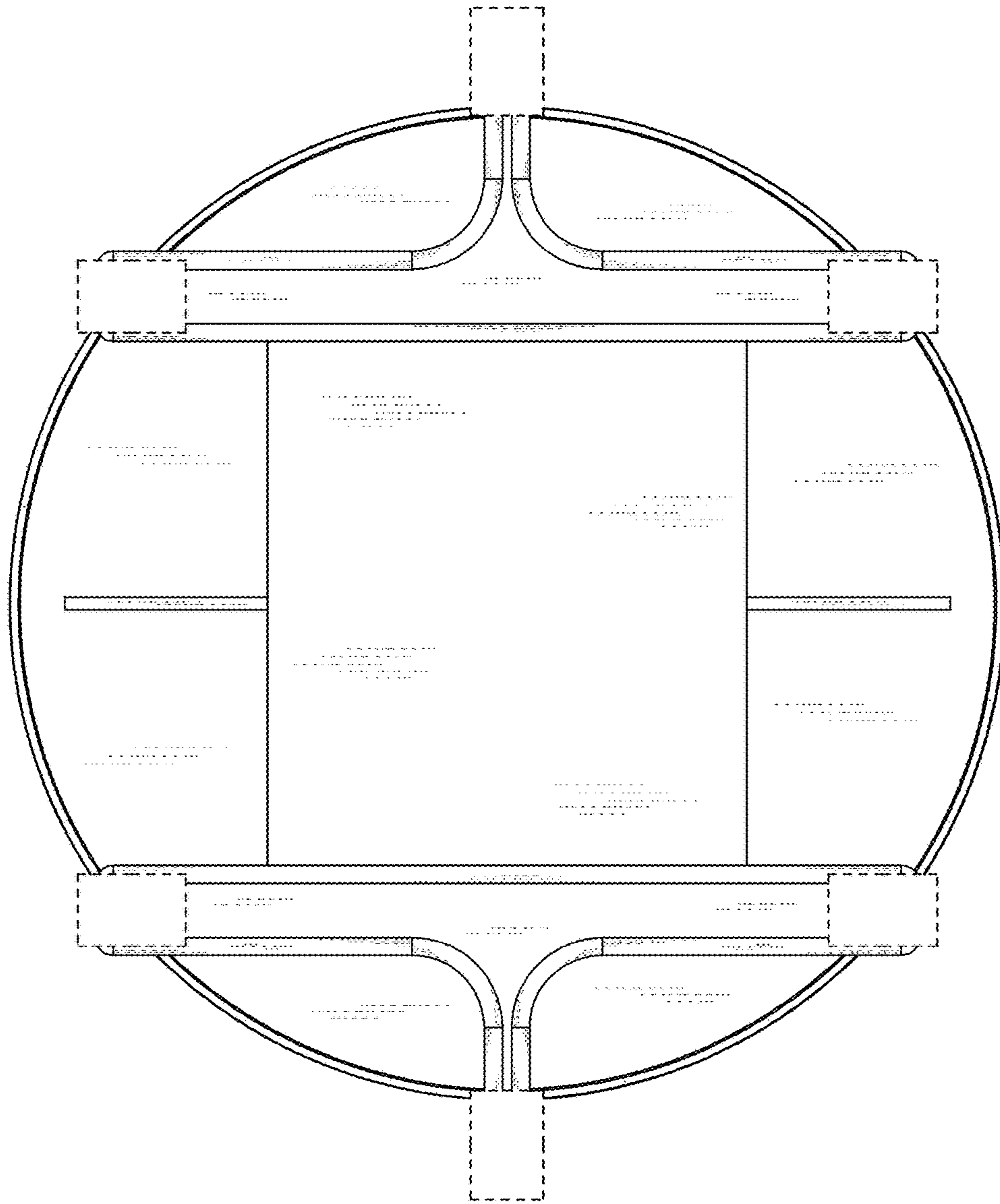


FIG. 6