



US00D825451S

(12) **United States Design Patent**  
**Liu et al.**

(10) **Patent No.:** **US D825,451 S**  
(45) **Date of Patent:** **\*\* Aug. 14, 2018**

(54) **SOLAR PANEL**

(71) Applicant: **Xiamen Topunive Technology Co., Ltd.**, Xiamen (CN)

(72) Inventors: **Xinlin Liu**, Xiamen (CN); **Huaqiang Mei**, Xiamen (CN); **Guangde Gao**, Xiamen (CN)

(73) Assignee: **XIAMEN TOPUNIVE TECHNOLOGY CO., LTD.**, Xiamen, Fujian (CN)

(\*\*) Term: **15 Years**

(21) Appl. No.: **29/609,037**

(22) Filed: **Jun. 28, 2017**

(30) **Foreign Application Priority Data**

Dec. 29, 2016 (CN) ..... 201630655965

(51) **LOC (11) Cl.** ..... **13-03**

(52) **U.S. Cl.**  
USPC ..... **D13/102**

(58) **Field of Classification Search**  
USPC ..... D13/101, 102, 118, 184, 199  
CPC ..... H01L 31/00; H01L 31/02; H01L 31/042;  
H01L 31/045; H01L 31/046; H01L 31/048;  
H01L 31/05; H01L 31/052; H01L 31/0525;  
H02S 30/00; H02S 20/10; H02S 20/23;  
H02S 20/30; H02S 40/34; H02S 40/44;  
F24J 2/52; F03G 6/00

See application file for complete search history.

(56) **References Cited**

U.S. PATENT DOCUMENTS

D536,299	S	*	2/2007	Lam	.....	D13/102
D729,156	S	*	5/2015	Nook	.....	D13/102
D731,408	S	*	6/2015	Ko	.....	D13/102
D806,931	S	*	1/2018	Hui	.....	D26/102
D807,285	S	*	1/2018	Krantz	.....	D13/102
2018/0019701	A1	*	1/2018	McPheeters	.....	H02S 30/10

\* cited by examiner

*Primary Examiner* — Daniel Bui

(74) *Attorney, Agent, or Firm* — Leong C. Lei

(57) **CLAIM**

The ornamental design for a solar panel, as shown and described.

**DESCRIPTION**

FIG. 1 is a front elevational view of a solar panel showing our new design;

FIG. 2 is a rear elevational view thereof;

FIG. 3 is a left side elevational view thereof;

FIG. 4 is an enlarge view of area 4 of FIG. 3;

FIG. 5 is a right side elevational view thereof;

FIG. 6 is an enlarge view of area 6 of FIG. 5;

FIG. 7 is a top plan view thereof;

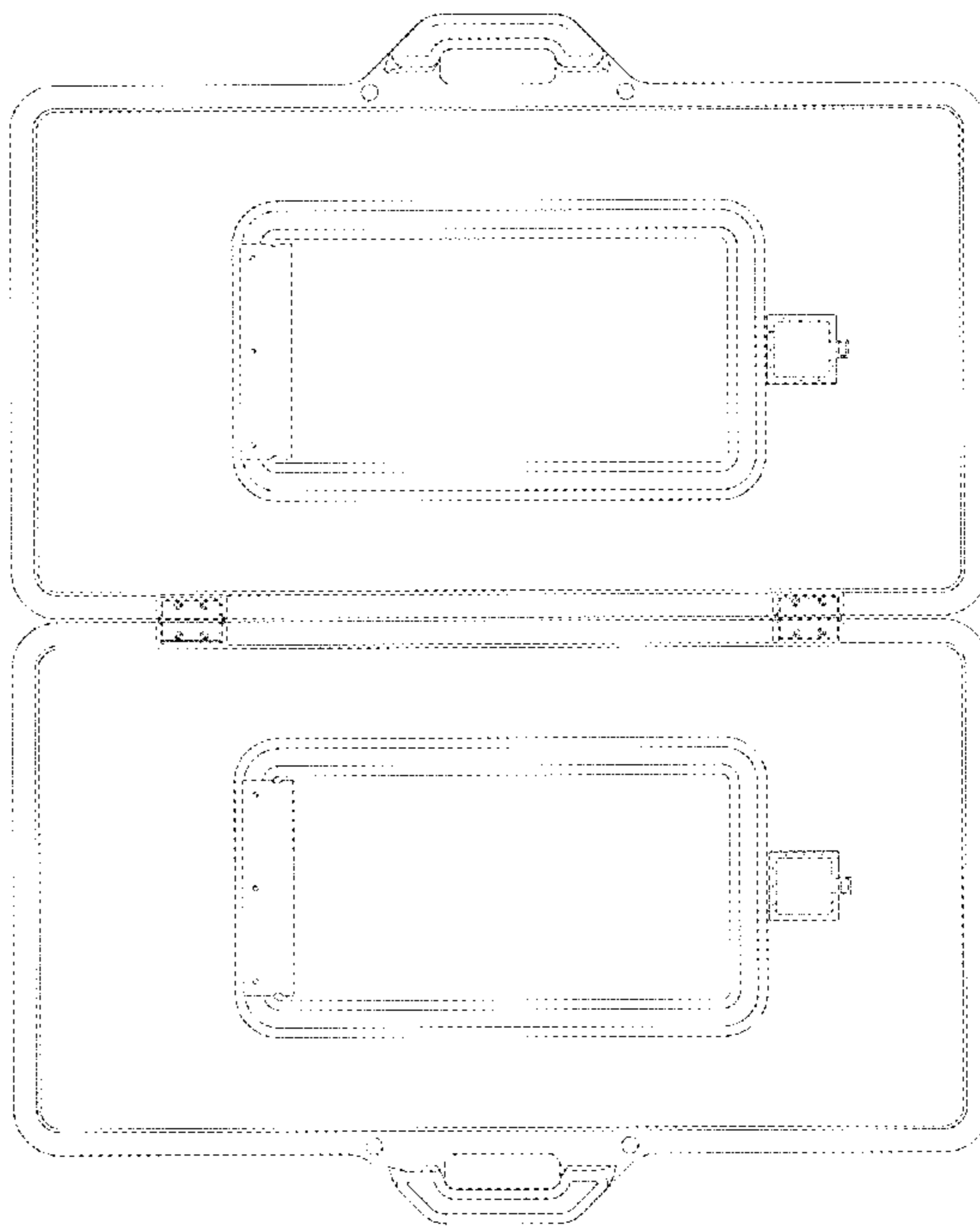
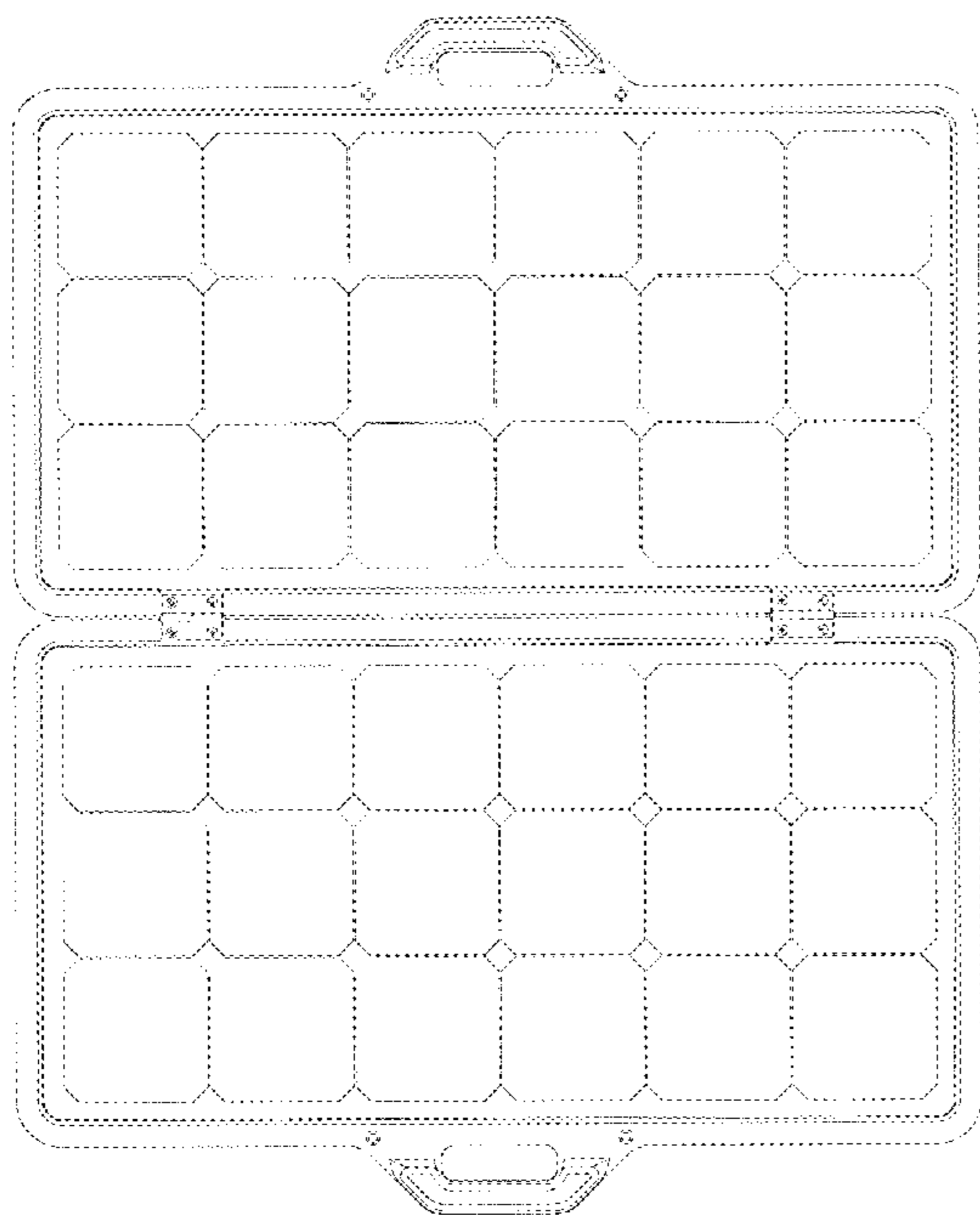
FIG. 8 is an enlarge view of area 8 of FIG. 7;

FIG. 9 is a bottom plan view thereof; and,

FIG. 10 is an enlarge view of area 10 of FIG. 9.

The broken line shown in the drawing views represents unclaimed environmental only and forms no part of the claimed design. The dash-dot line represents the boundary of the claimed design.

**1 Claim, 10 Drawing Sheets**



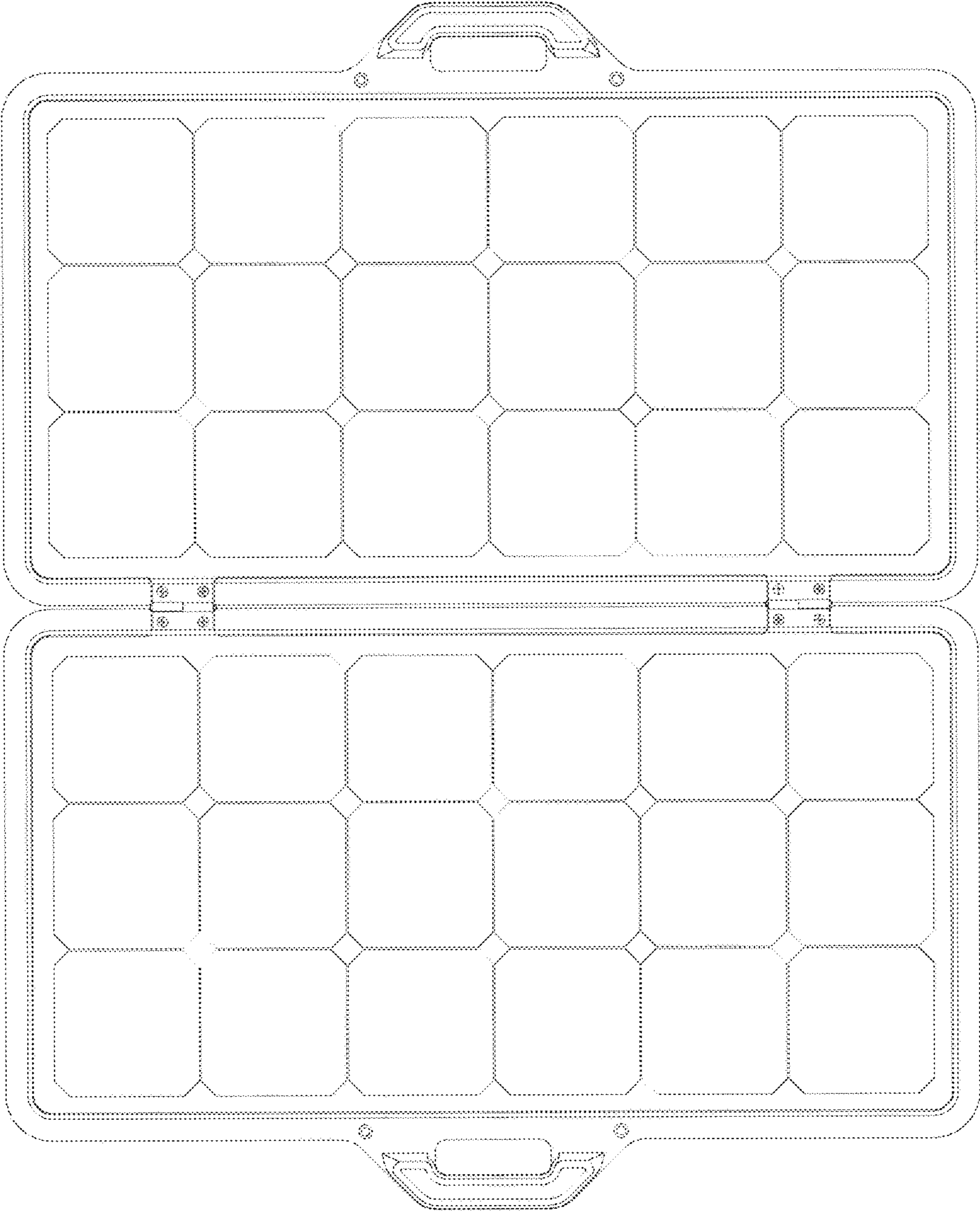


FIG. 1

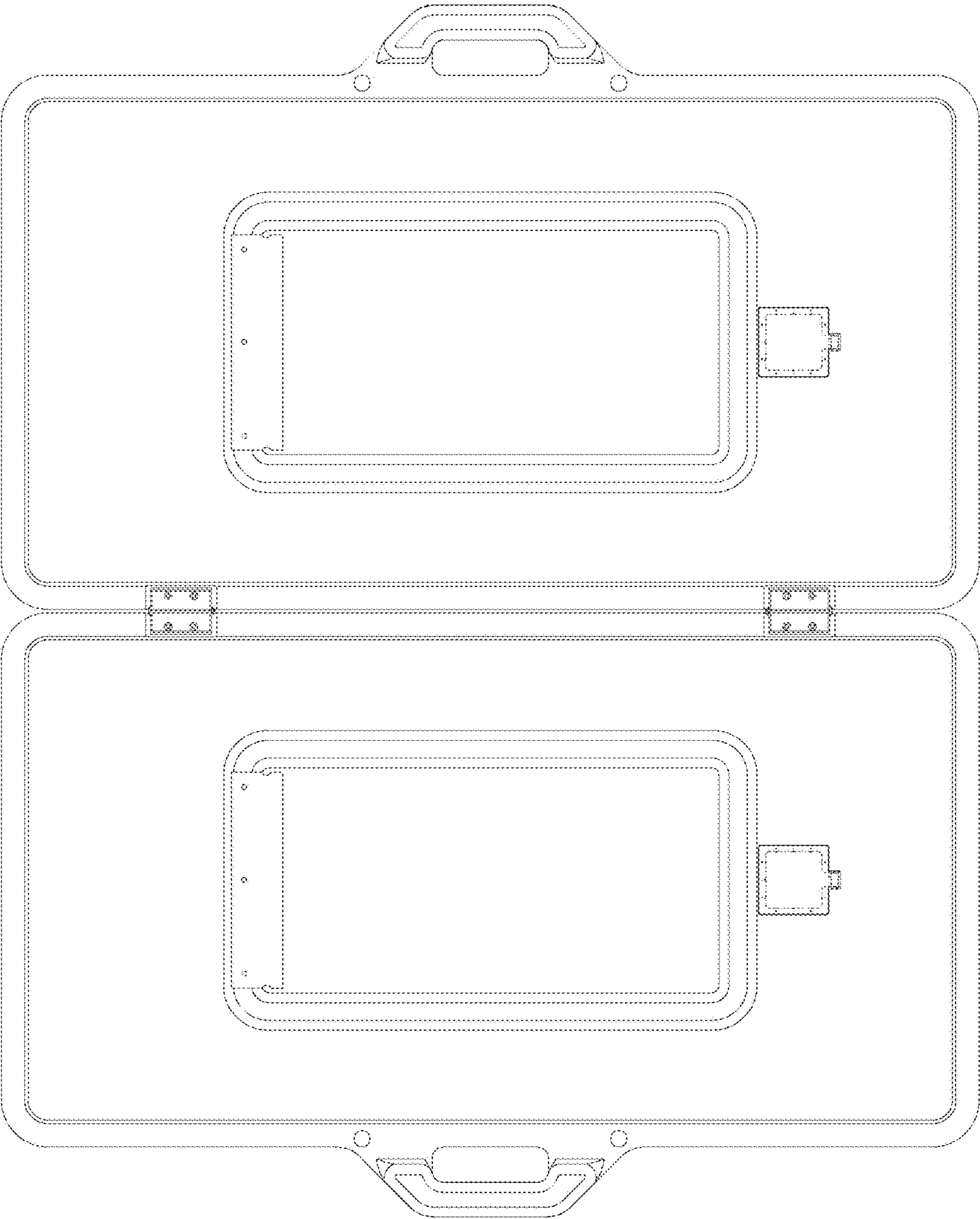
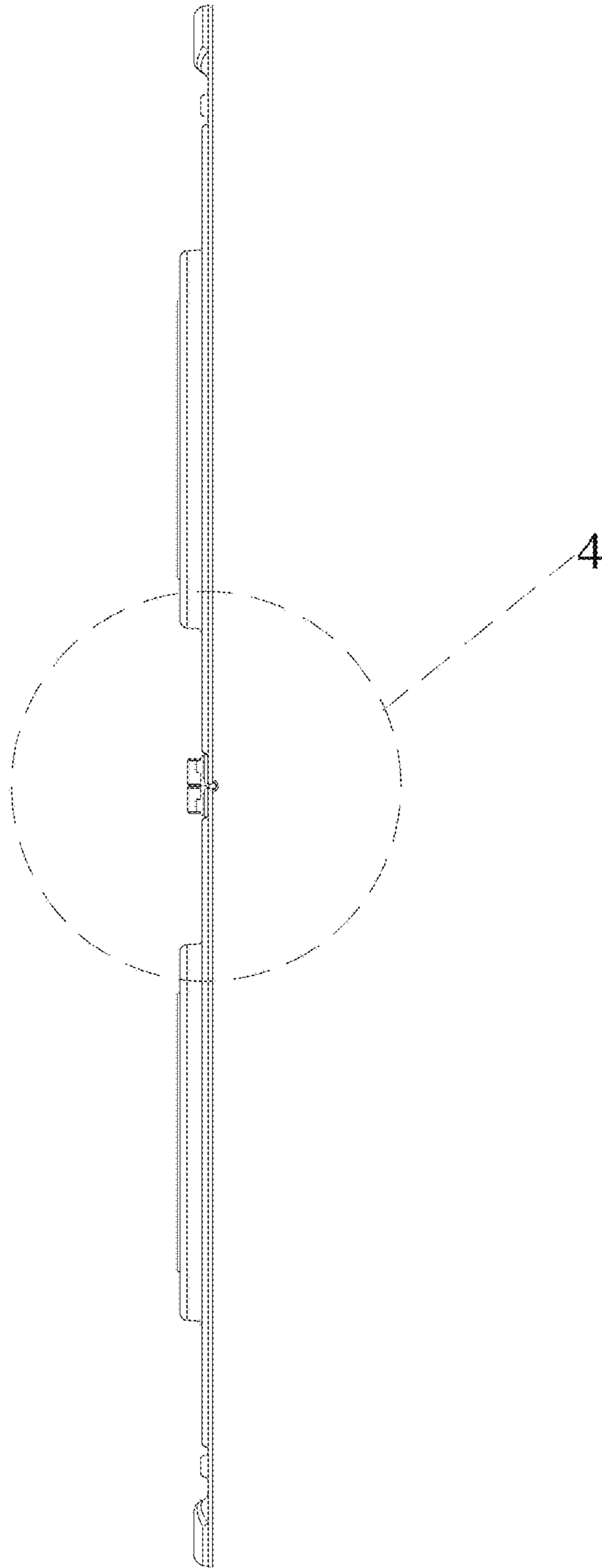
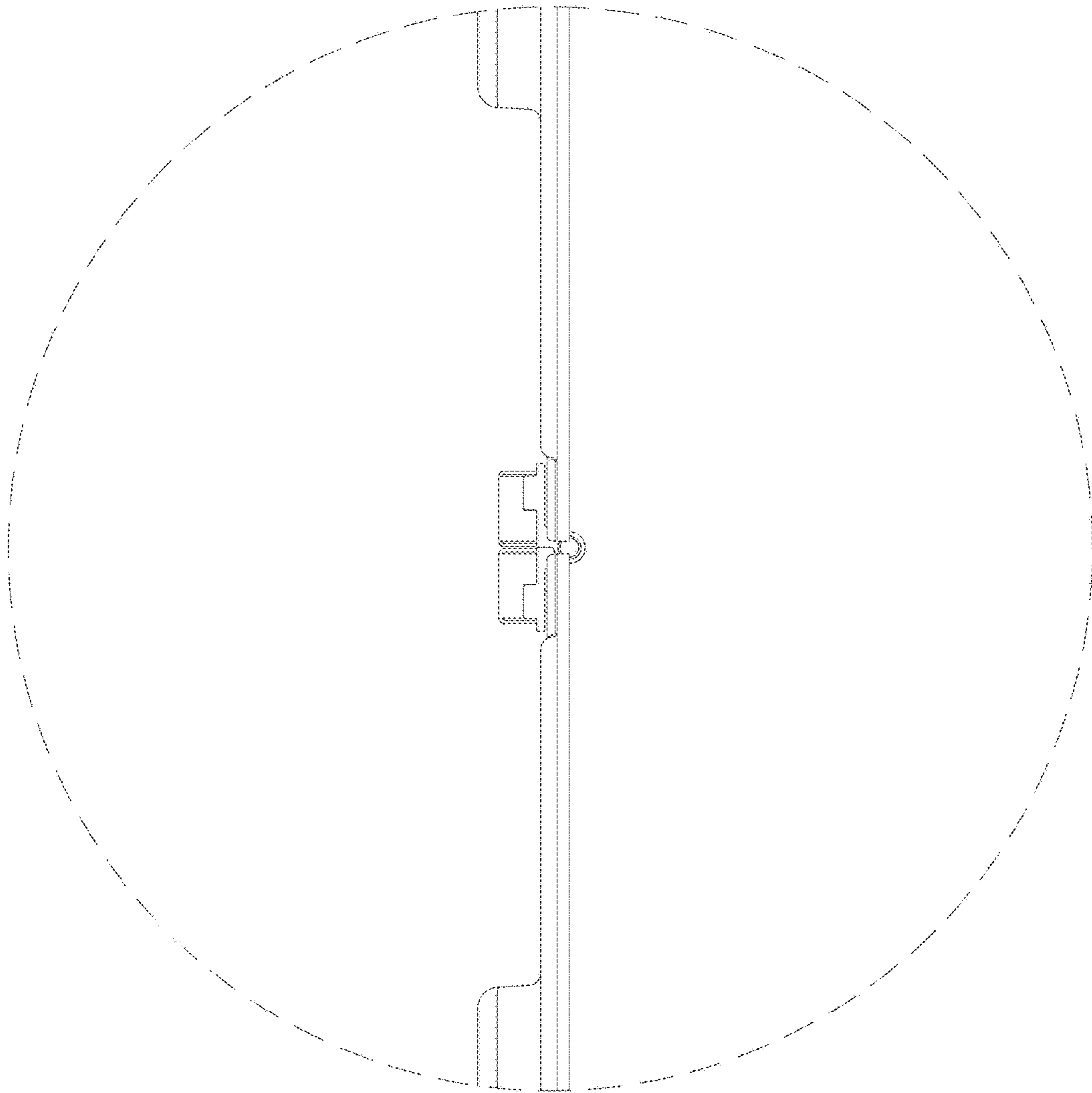


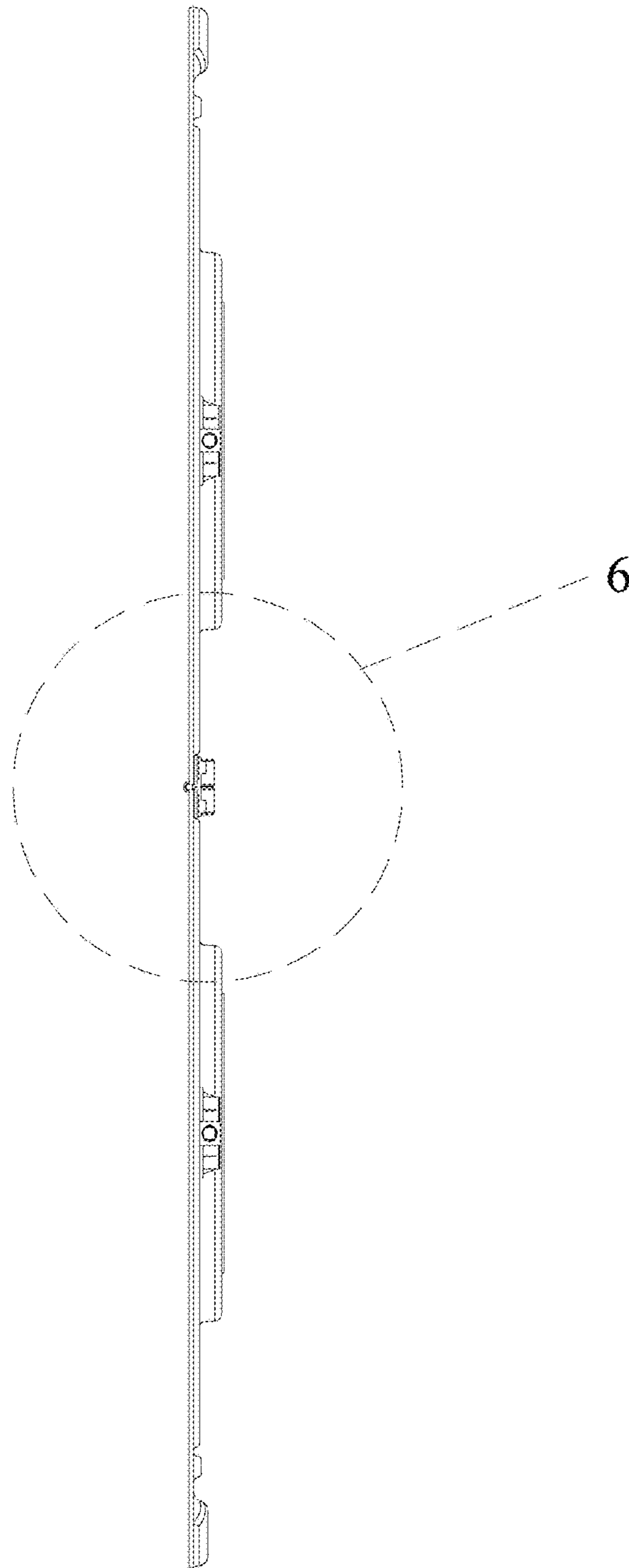
FIG. 2



**FIG. 3**

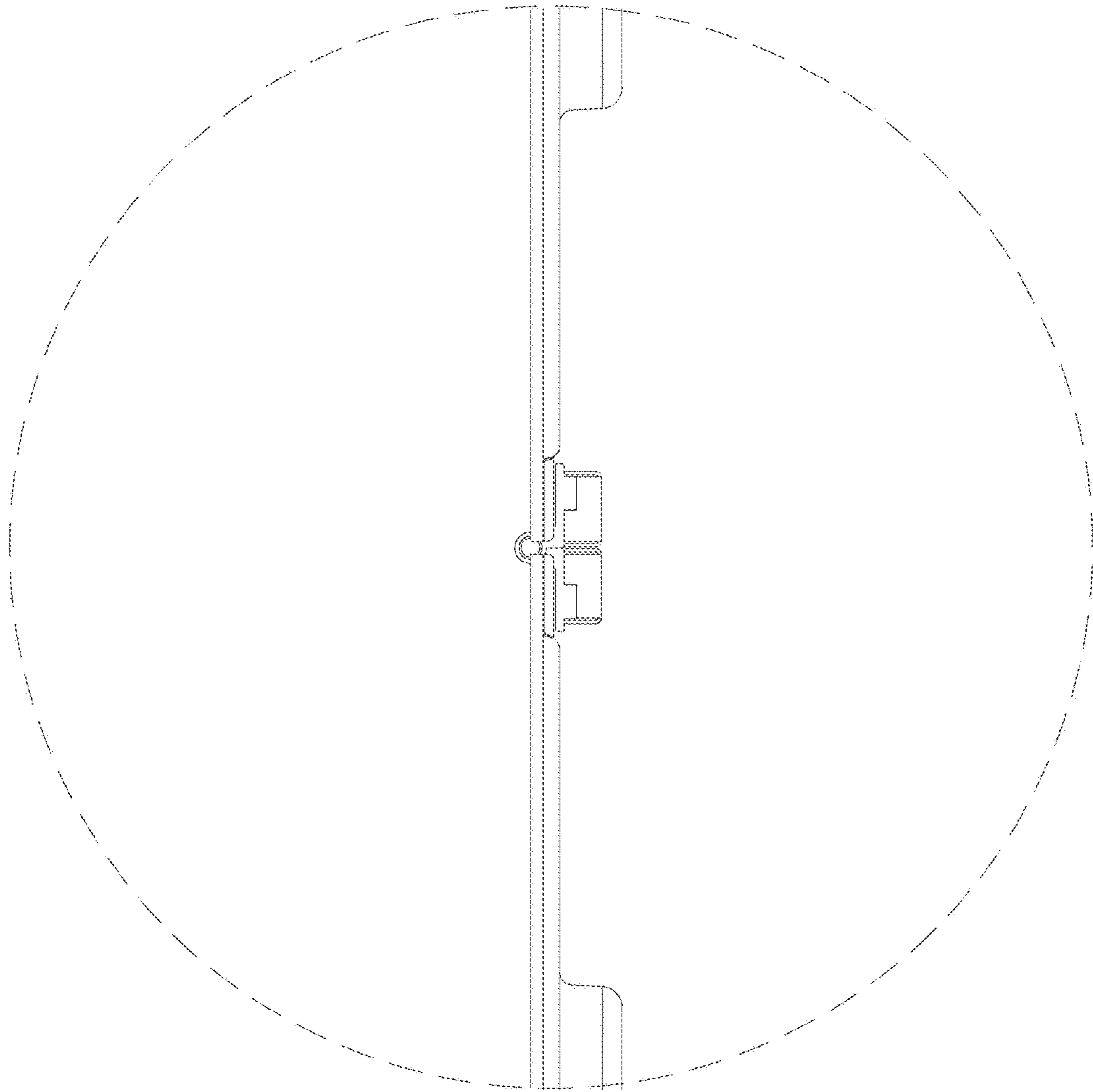


**FIG. 4**



**FIG. 5**





**FIG. 6**

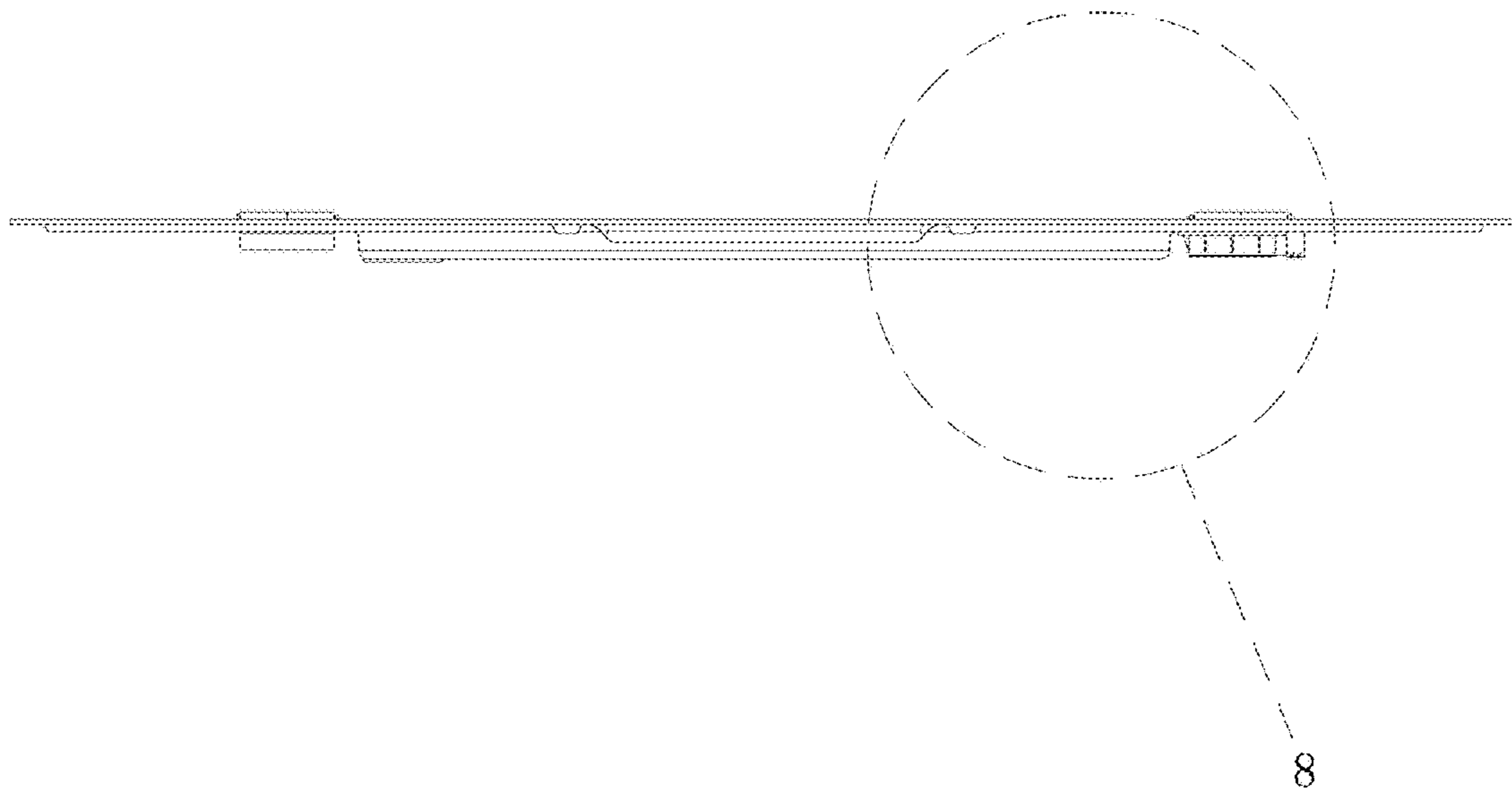


FIG. 7



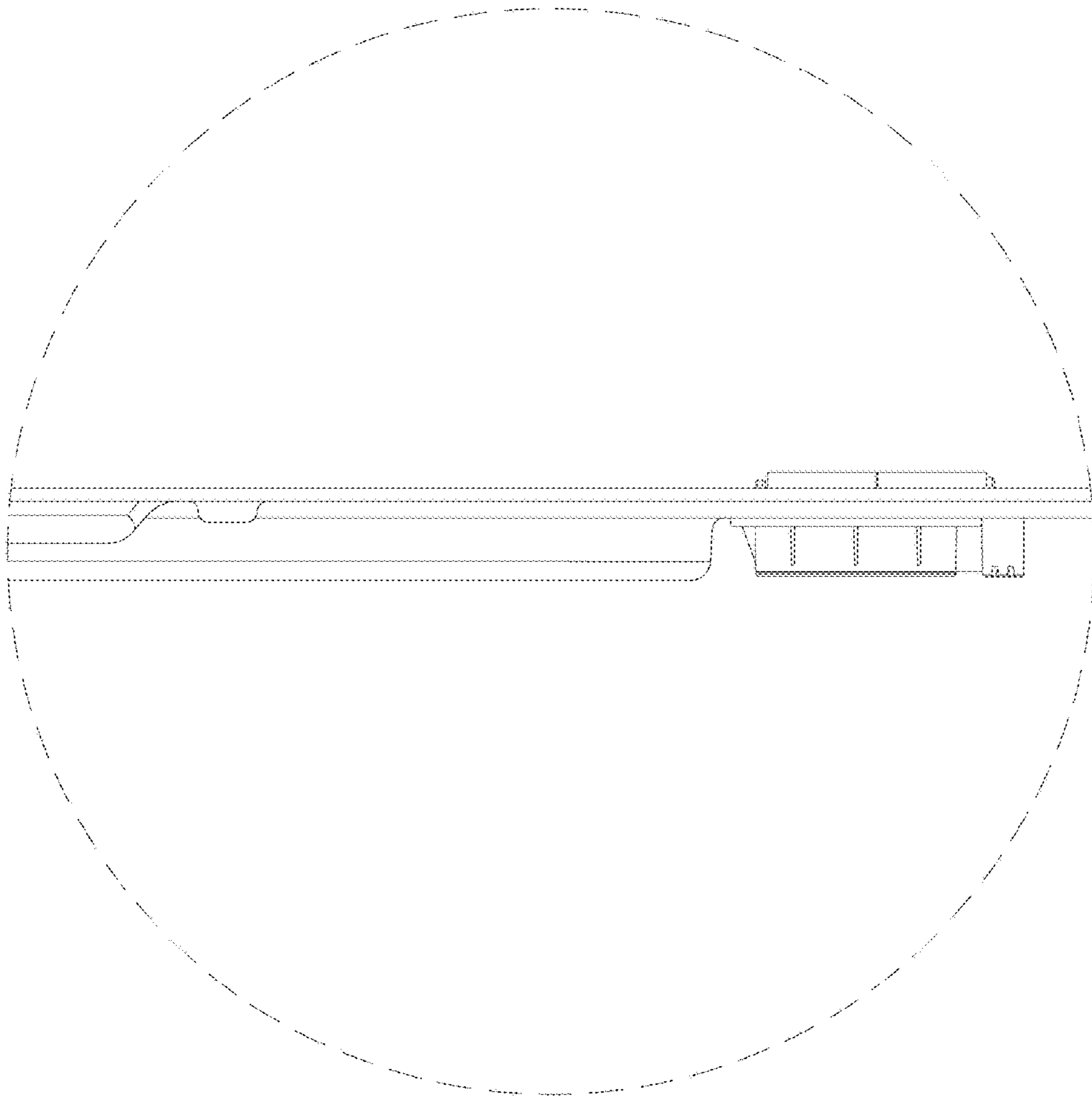
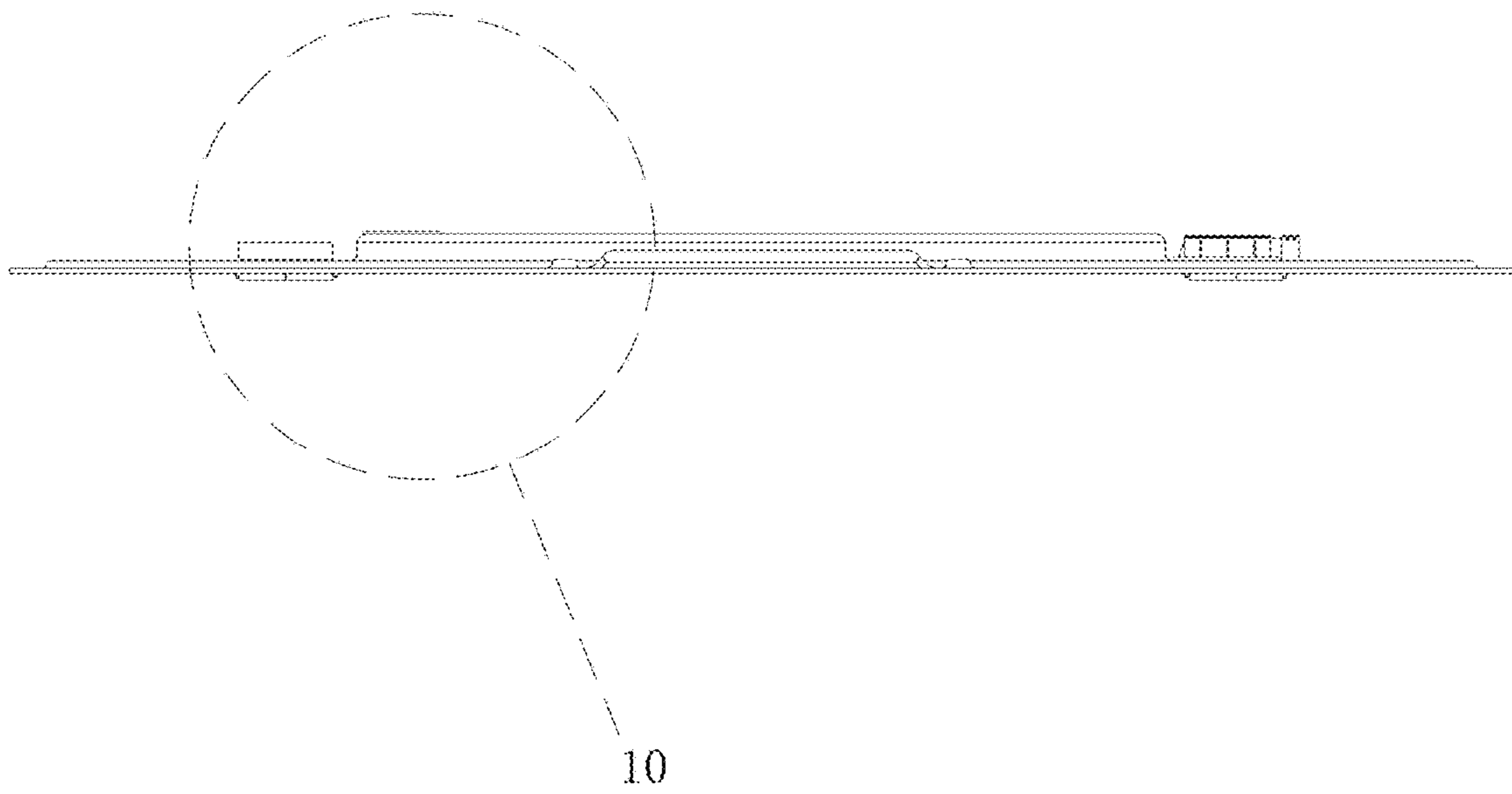
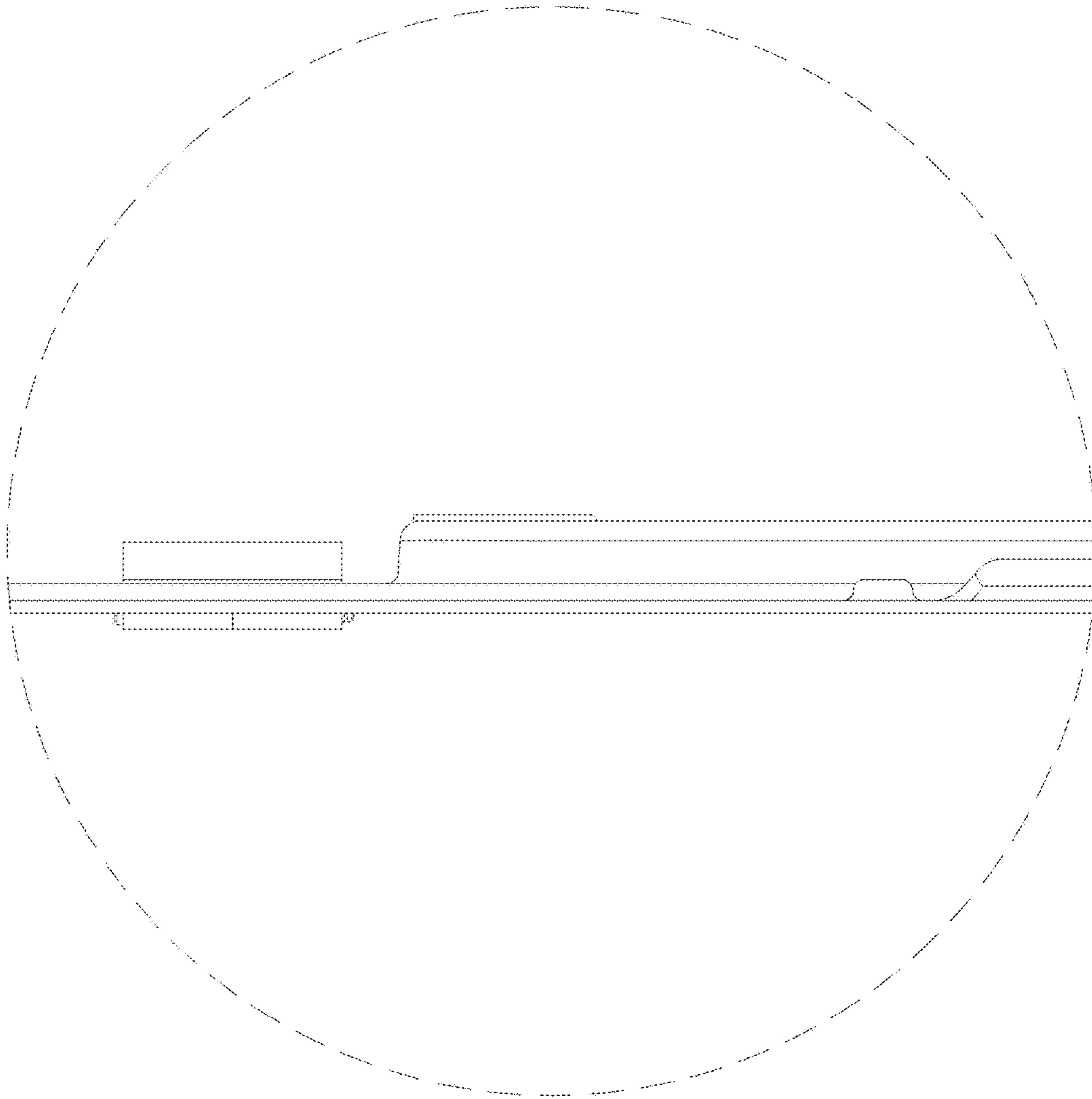


FIG. 8



**FIG. 9**



**FIG. 10**