



US00D825449S

(12) **United States Design Patent**  
**Cai**

(10) **Patent No.:** **US D825,449 S**

(45) **Date of Patent:** **\*\* Aug. 14, 2018**

(54) **PHOTOVOLTAIC PANEL**

(71) Applicant: **Arctech Solar Holding Co., Ltd.**, Jiang Su Province (CN)

(72) Inventor: **Hao Cai**, Jiang Su Province (CN)

(\*\*) Term: **15 Years**

(21) Appl. No.: **29/576,366**

(22) Filed: **Sep. 2, 2016**

(51) **LOC (11) Cl.** ..... **13-02**

(52) **U.S. Cl.**  
USPC ..... **D13/102**

(58) **Field of Classification Search**  
USPC ..... D6/300, 310, 314; D8/354; D13/101, D13/102, 103, 118, 119, 184, 199; D21/494; D25/57, 139, 180, 141, 143, D25/144  
CPC ..... H01L 31/00; H02S 10/00; H02S 20/00; Y02B 10/00; Y02E 10/00; Y02E 10/40; Y02E 10/41; Y02E 10/42; Y02E 10/43; Y02E 10/44; Y02E 10/45; Y02E 10/46; Y02E 10/47; Y02E 10/50; Y02E 10/51; Y02E 10/52  
See application file for complete search history.

(56) **References Cited**

U.S. PATENT DOCUMENTS

D431,533 S \* 10/2000 Berkowitz ..... D13/155  
9,332,593 B2 \* 5/2016 Keite-Telgenbuscher ..... H05B 3/86  
D767,484 S \* 9/2016 Morad ..... D13/102  
2010/0218805 A1 \* 9/2010 Everett ..... H01L 31/02168  
136/246  
2013/0026604 A1 \* 1/2013 Hsin ..... H01L 31/107  
257/603  
2013/0037855 A1 \* 2/2013 Sekino ..... C23C 14/14  
257/184

2013/0049154 A1 \* 2/2013 Hegedus ..... H01L 31/0201  
257/437  
2013/0052772 A1 \* 2/2013 Surana ..... B82Y 20/00  
438/72  
2014/0210325 A1 \* 7/2014 Aurongzeb ..... H05K 5/0213  
312/236  
2014/0283897 A1 \* 9/2014 Chen ..... H02S 30/10  
136/251  
2015/0247766 A1 \* 9/2015 Yang ..... G01L 5/228  
73/862.627  
2015/0372176 A1 \* 12/2015 Topping ..... H01L 31/035281  
136/256  
2016/0291647 A1 \* 10/2016 Okamoto ..... G06F 1/1652

\* cited by examiner

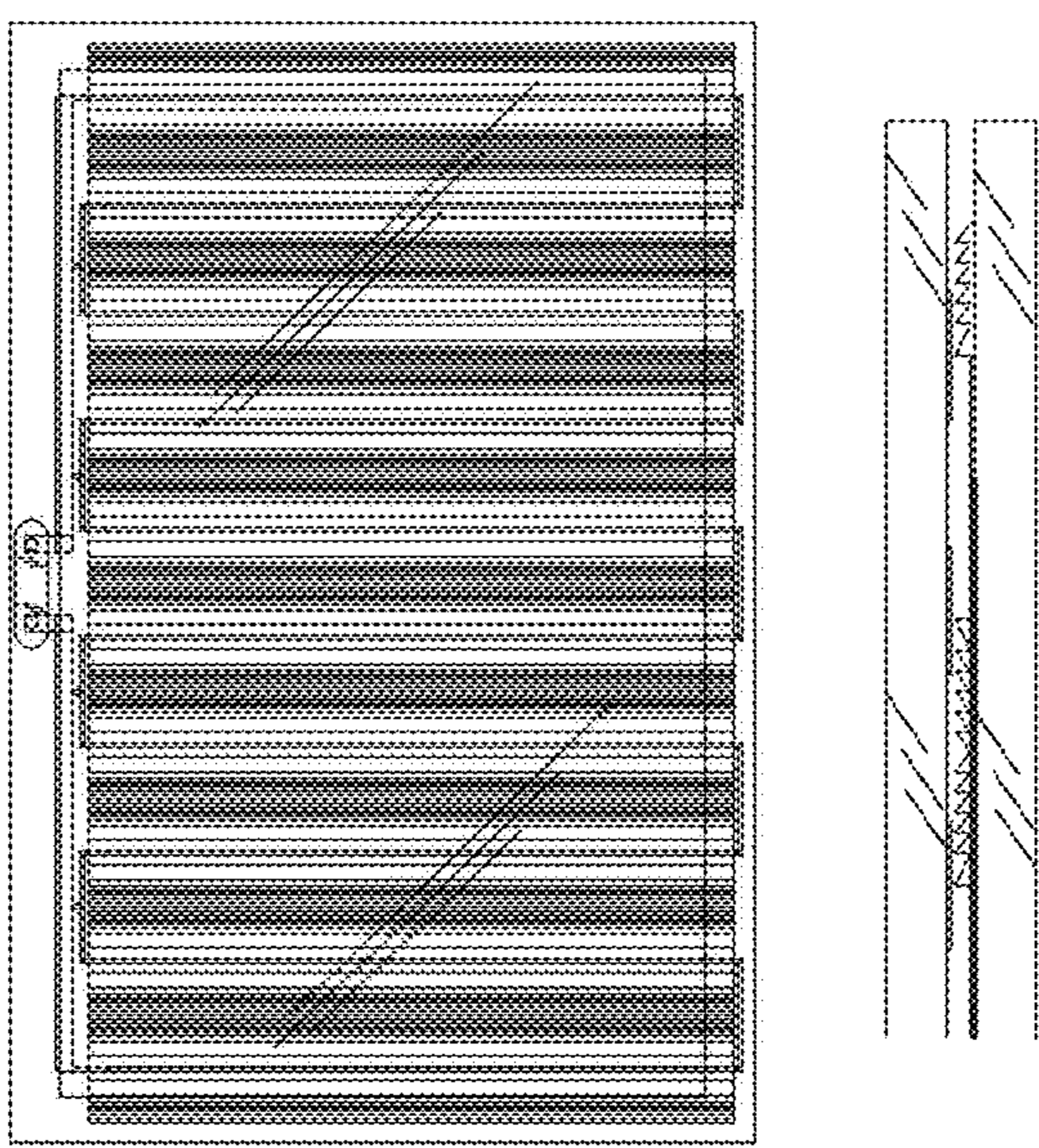
*Primary Examiner* — Mary Ann Calabrese  
*Assistant Examiner* — Catherine Ho  
(74) *Attorney, Agent, or Firm* — Prakash Nama; Global IP Services, PLLC

(57) **CLAIM**  
The ornamental design for a photovoltaic panel, as shown and described.

**DESCRIPTION**

FIG. 1 is a front elevational view of a photovoltaic panel showing my new design;  
FIG. 2 is a rear elevational view thereof;  
FIG. 3 is a left side view thereof;  
FIG. 4 is a right side view thereof;  
FIG. 5 is a top plan view thereof;  
FIG. 6 is a bottom plan view thereof;  
FIG. 7 is a perspective view thereof;  
FIG. 8 is an enlarged fragment of the portion of the photovoltaic panel shown in FIG. 3 and labelled 8;  
FIG. 9 is an exploded view of FIG. 1;  
FIG. 10 is a second exploded view of FIG. 1;  
FIG. 11 is an alternate exploded view of FIG. 10; and,  
FIG. 12 is an alternate exploded view of FIG. 9.

**1 Claim, 11 Drawing Sheets**



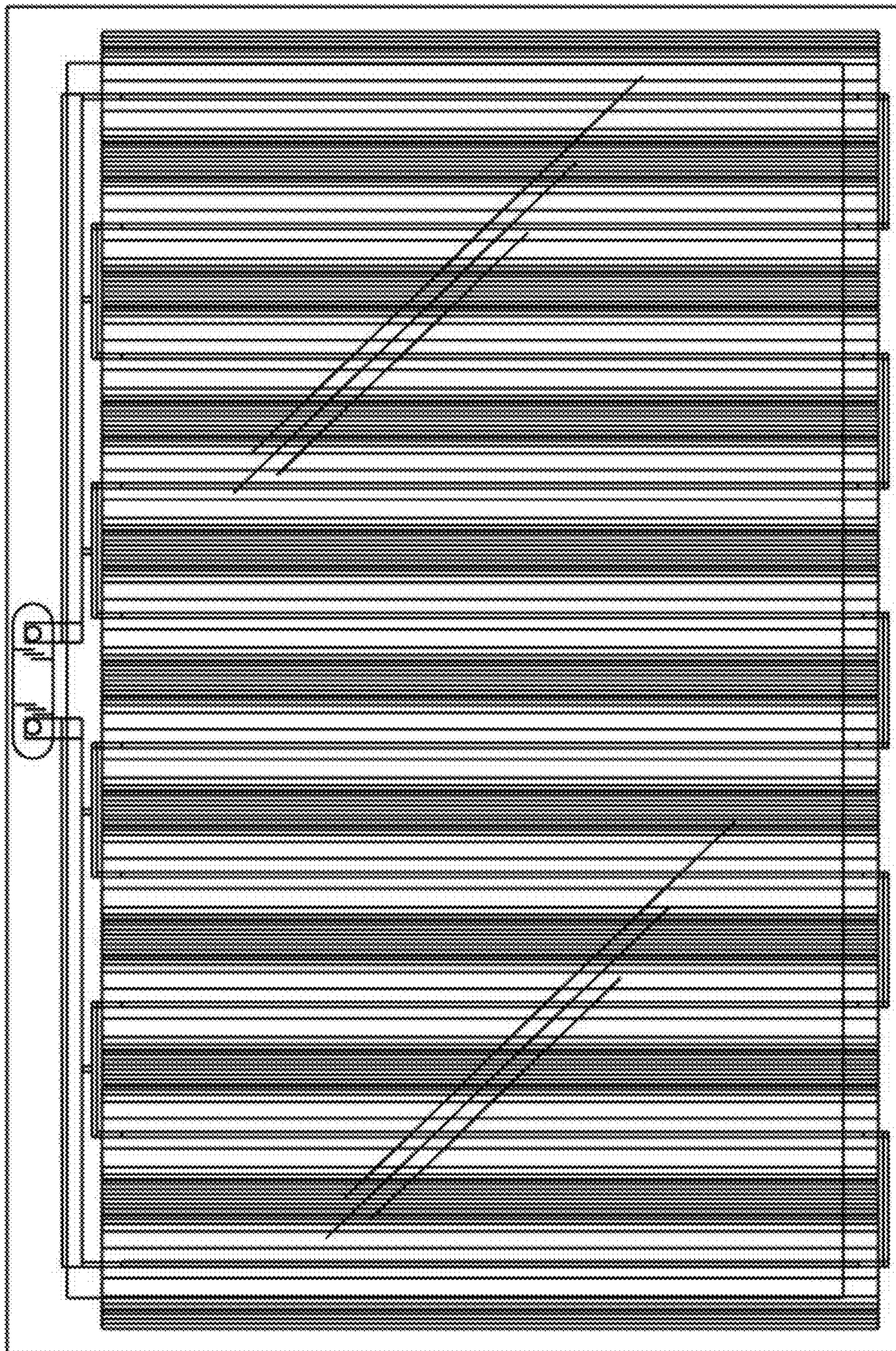


FIG. 1

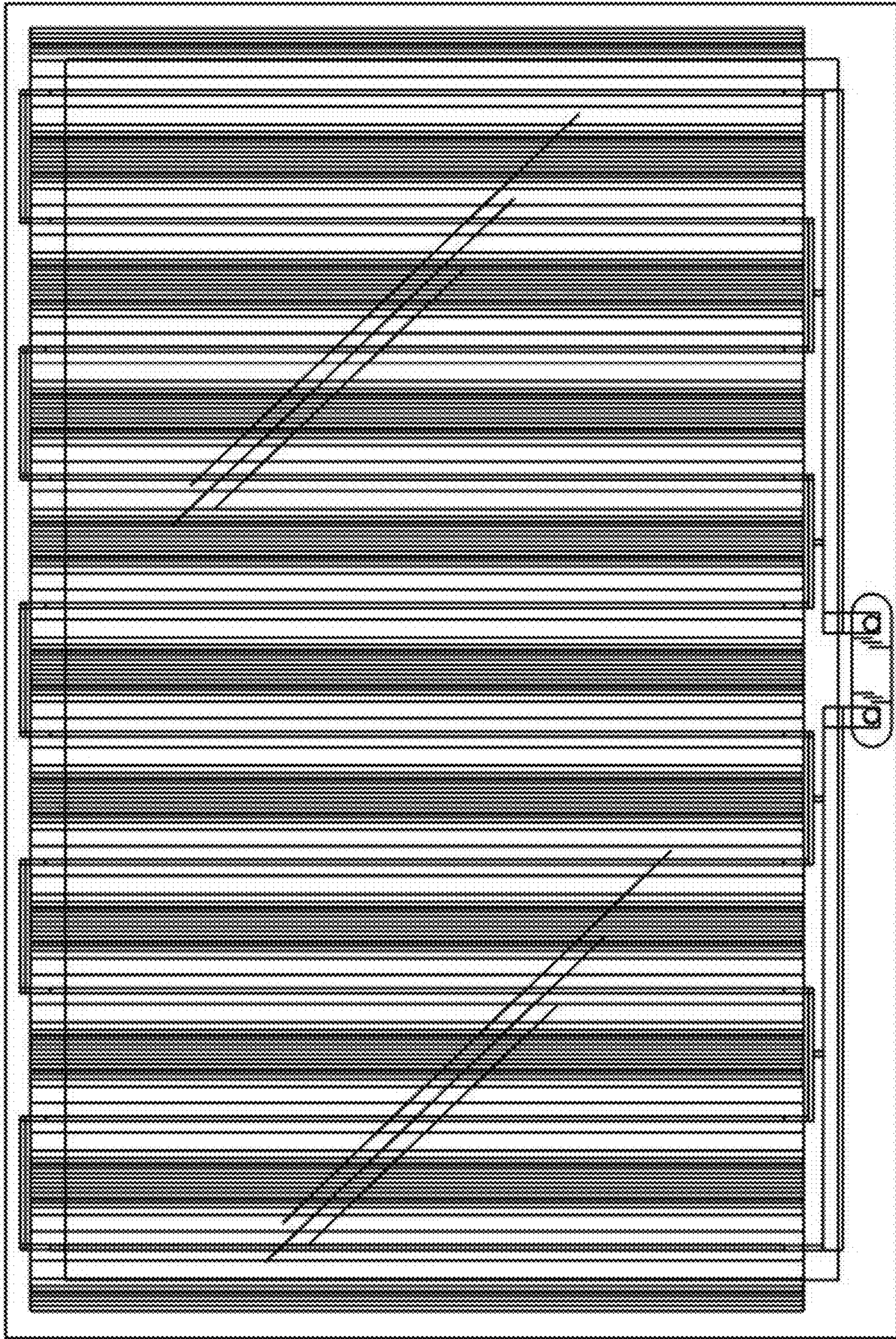


FIG. 2

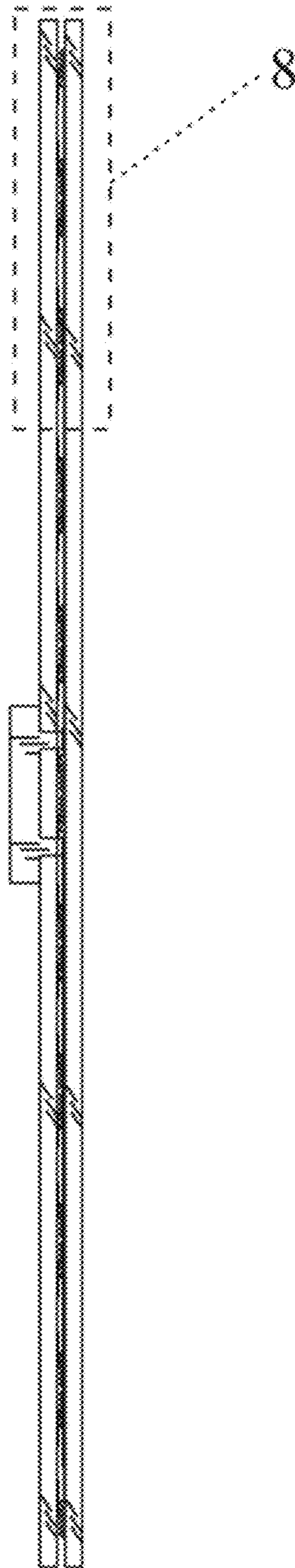


FIG. 3

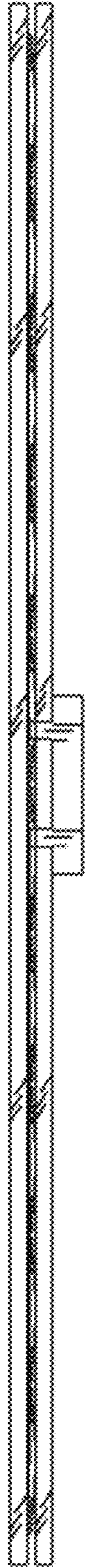


FIG. 4



FIG. 5



FIG. 6

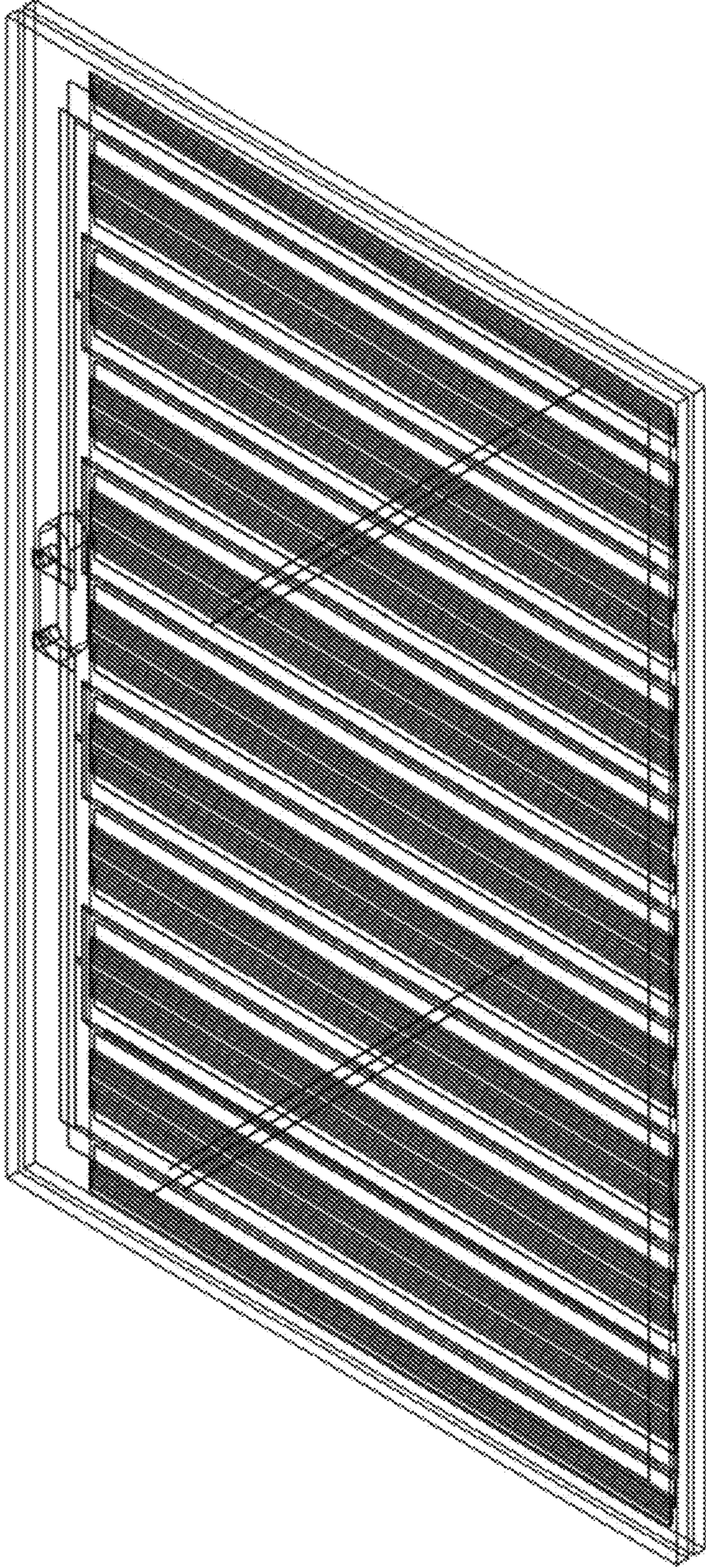


FIG. 7

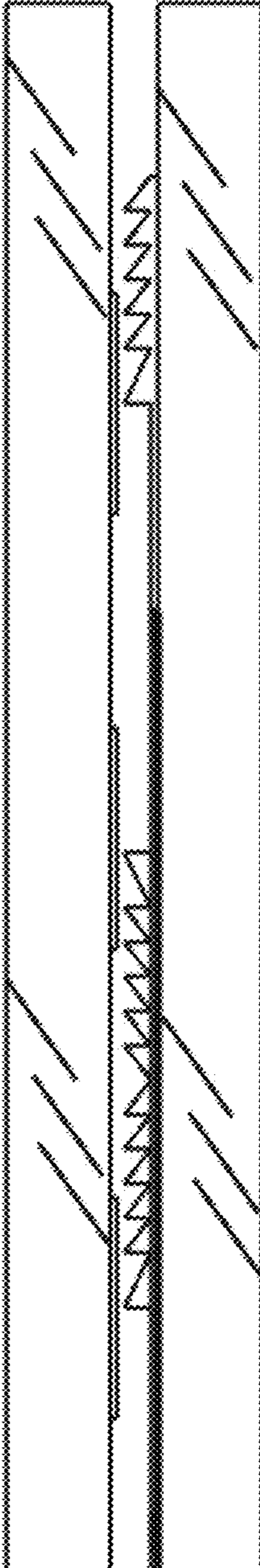


FIG. 8



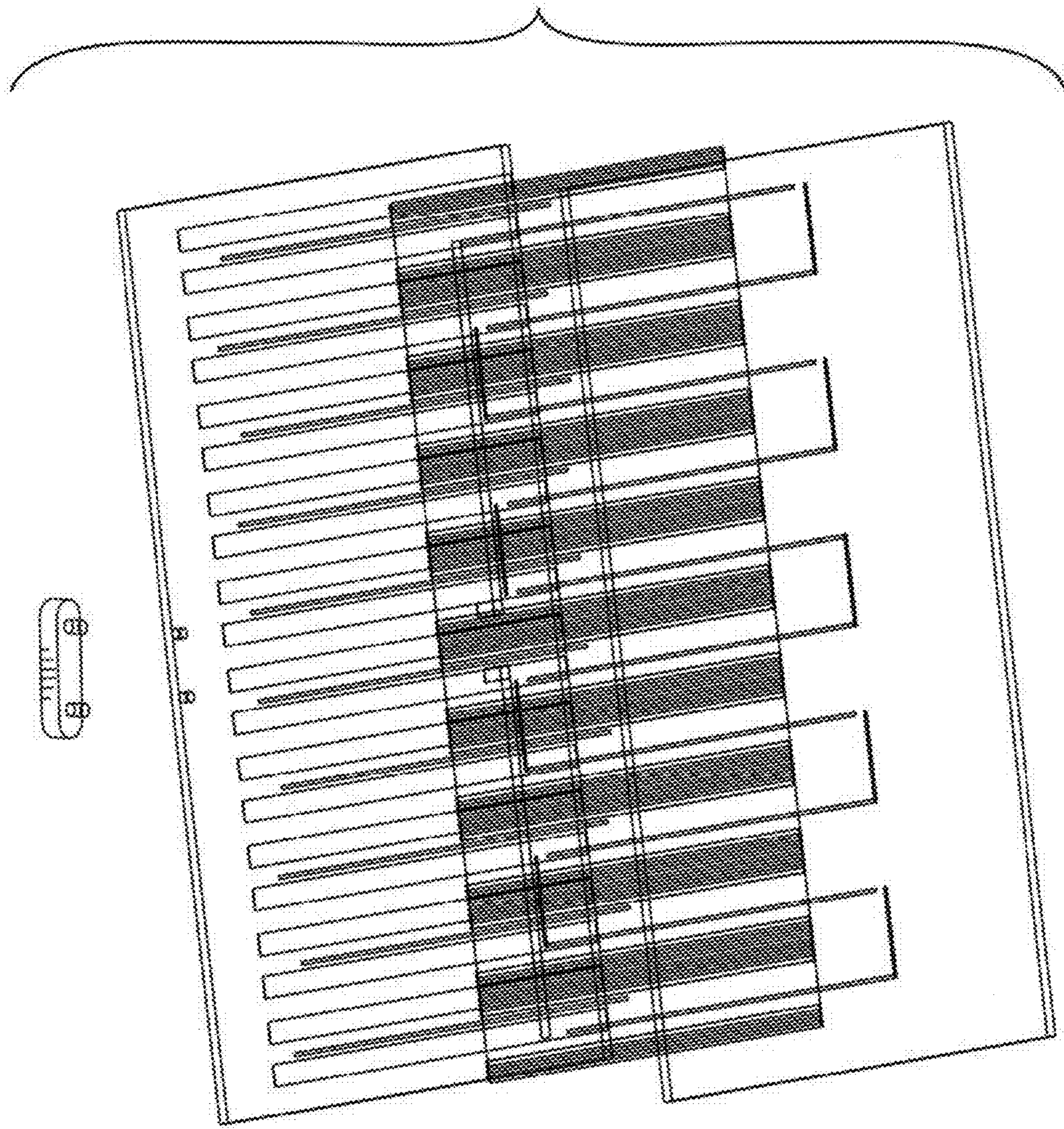


FIG. 9

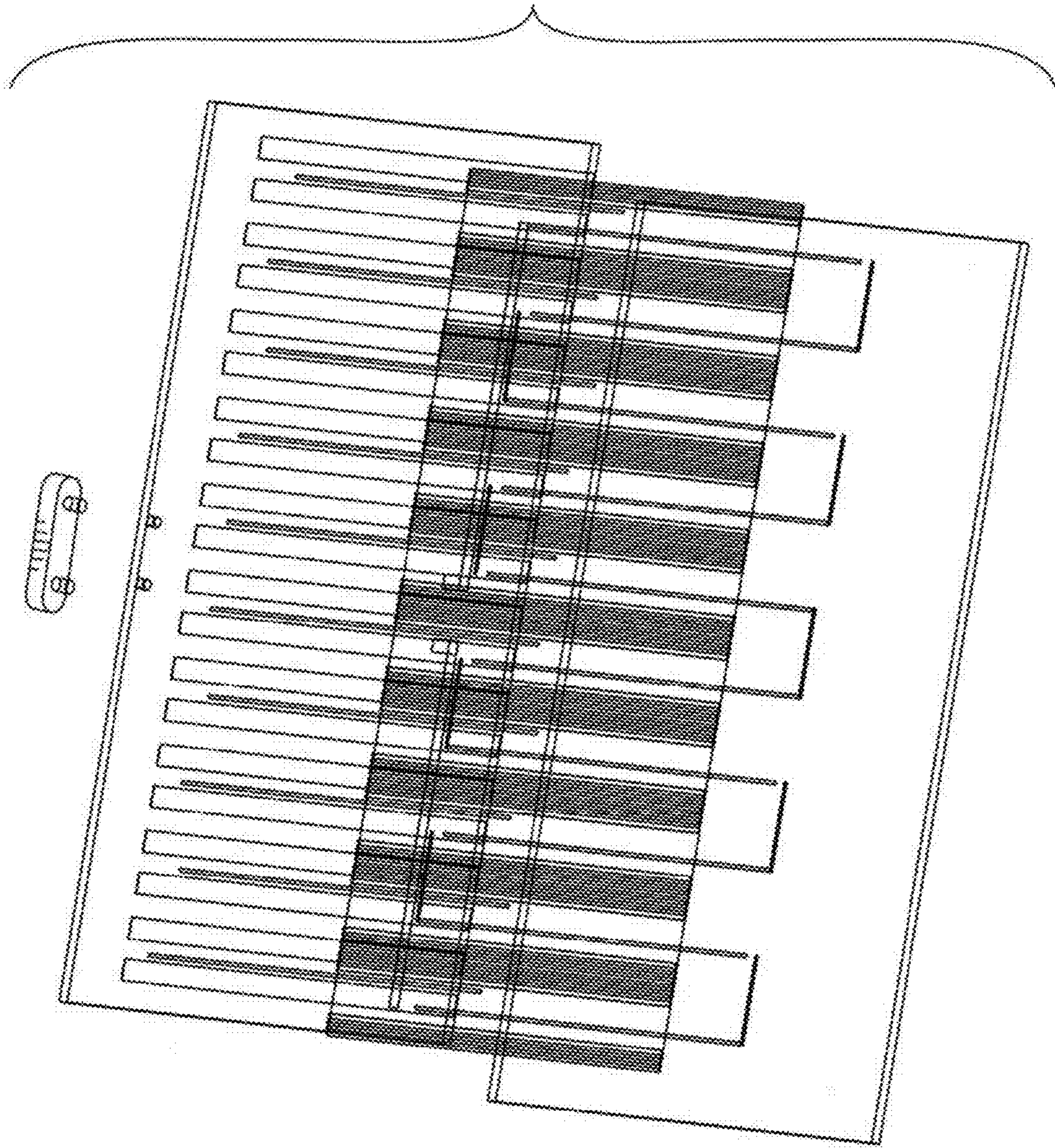


FIG. 10

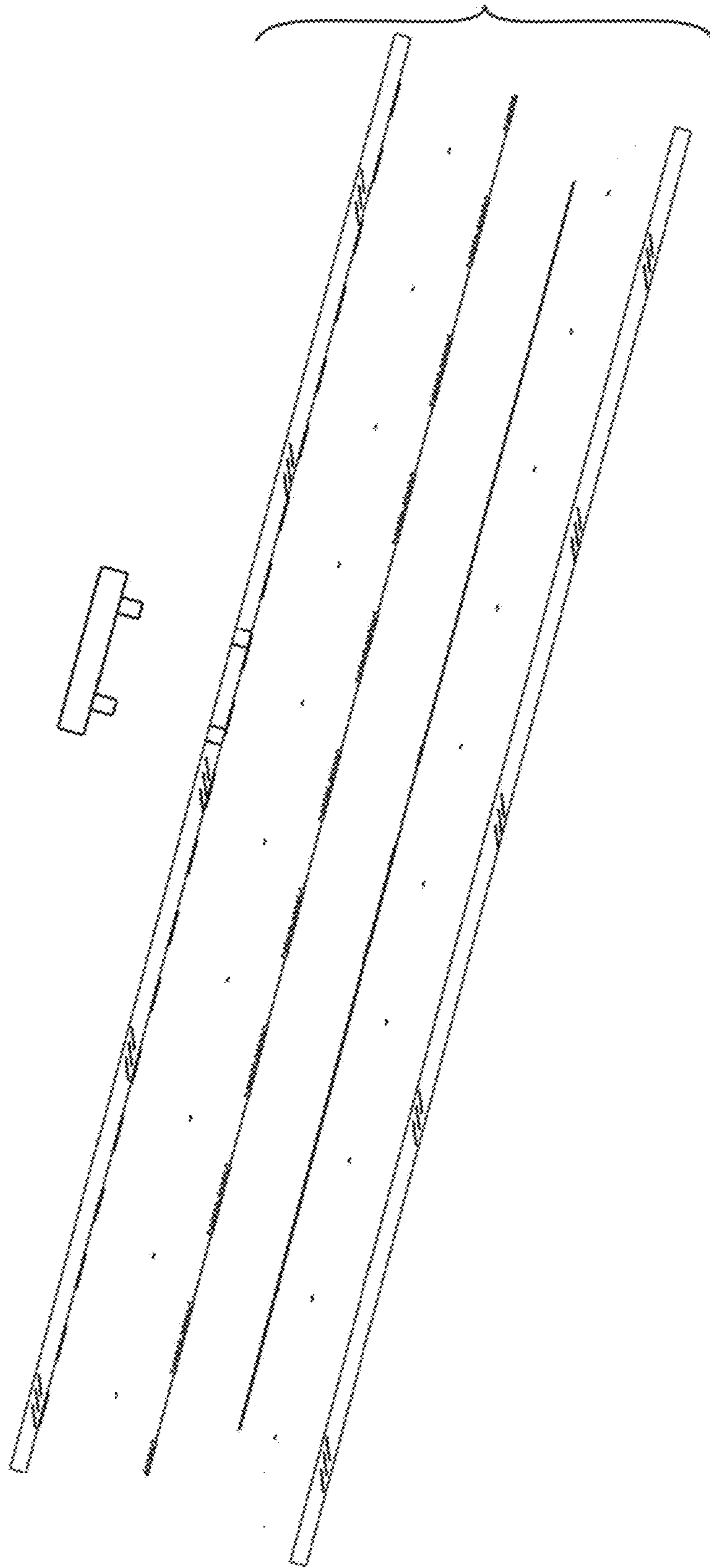


FIG. 11

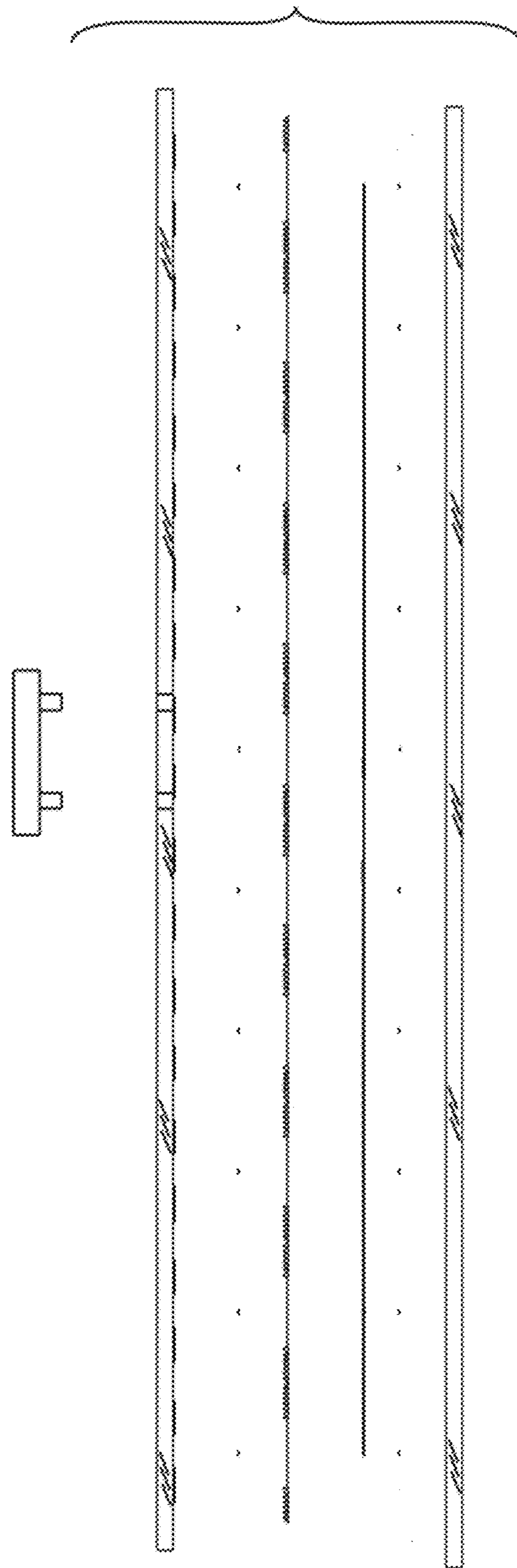


FIG. 12