



US00D825448S

(12) **United States Design Patent**
Mackler et al.

(10) **Patent No.:** **US D825,448 S**

(45) **Date of Patent:** **** Aug. 14, 2018**

(54) **SOLAR POWER GENERATION ASSEMBLY**

(71) Applicant: **SunPower Corporation**, San Jose, CA (US)

(72) Inventors: **Laurence Mackler**, Larchmont, NY (US); **Brian Cuff**, Irvington, NY (US); **Hikaru Iwasaka**, New York, NY (US); **David Froelich**, New York, NY (US)

(73) Assignee: **SUNPOWER CORPORATION**, San Jose, CA (US)

(**) Term: **15 Years**

(21) Appl. No.: **29/553,820**

(22) Filed: **Feb. 4, 2016**

Related U.S. Application Data

(62) Division of application No. 29/462,501, filed on Aug. 5, 2013, now Pat. No. Des. 751,976.

(51) **LOC (11) Cl.** **13-02**

(52) **U.S. Cl.**
USPC **D13/102**

(58) **Field of Classification Search**
USPC D13/102, 101, 118, 119, 184, 199;
52/173.3; 126/569, 600, 669, 704;
136/243-265; 359/850, 851, 852;
385/144, 900
CPC H01L 31/04; H01L 31/18; H01L 31/026;
H01L 31/042; H01L 31/048; H01L
31/052; H01L 31/0216; E04H 12/20;
F24J 2/38; F24J 2/52
See application file for complete search history.

(56) **References Cited**

U.S. PATENT DOCUMENTS

D611,404 S * 3/2010 Mackler D13/102
D631,004 S * 1/2011 Johnson D13/102

D657,737 S * 4/2012 Mackler D13/102
D671,885 S * 12/2012 Steinau D13/102
D718,229 S * 11/2014 Thompson D13/102
2005/0241246 A1 * 11/2005 Sinha F24J 2/045
52/173.3
2009/0050194 A1 * 2/2009 Noble E04B 7/12
136/251
2010/0314509 A1 * 12/2010 Conger F24J 2/5241
248/121
2012/0017526 A1 * 1/2012 Eide F24J 2/5207
52/173.3

(Continued)

Primary Examiner — Derrick Holland

(74) *Attorney, Agent, or Firm* — Oblon, McClelland, Maier & Neustadt, L.L.P.

(57) **CLAIM**

We claim the ornamental design for a solar power generation assembly, as shown and described.

DESCRIPTION

FIG. 1 is a bottom and left perspective view of a first embodiment of a solar power generation assembly showing our new design.

FIG. 2 is a left side perspective view thereof.

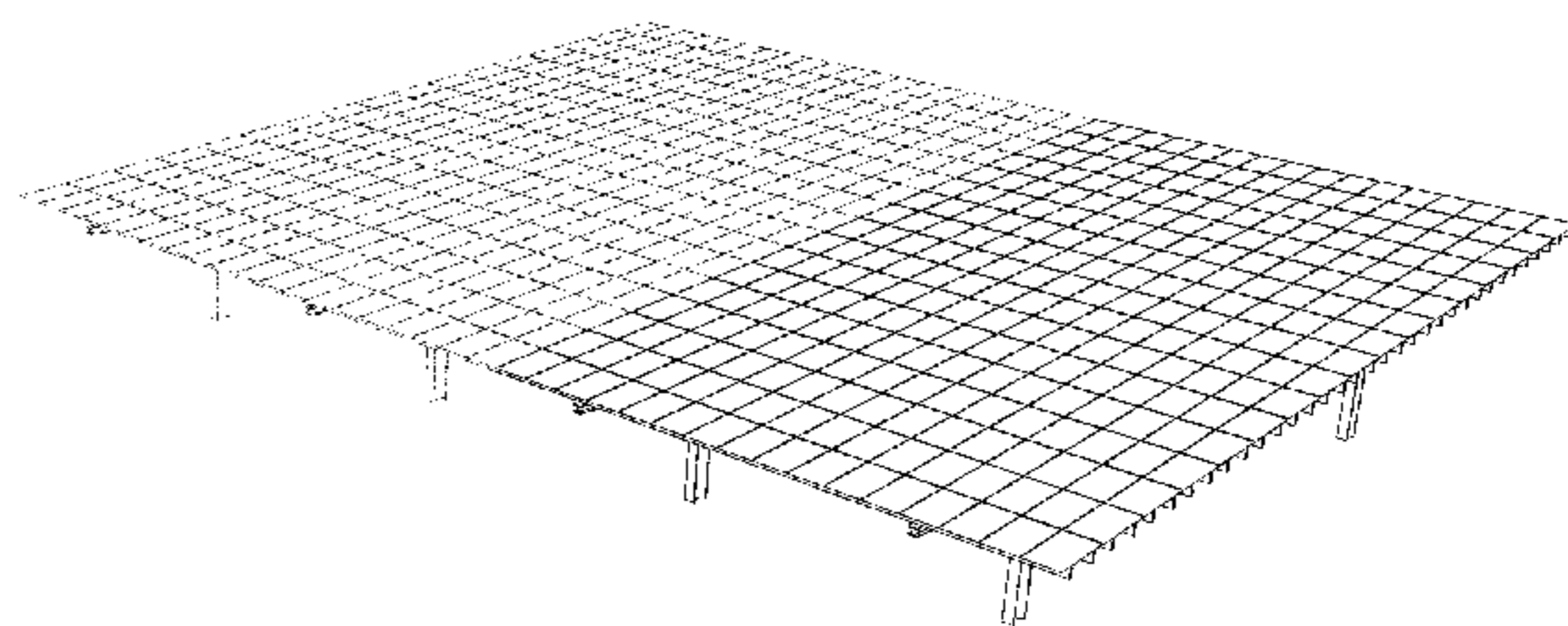
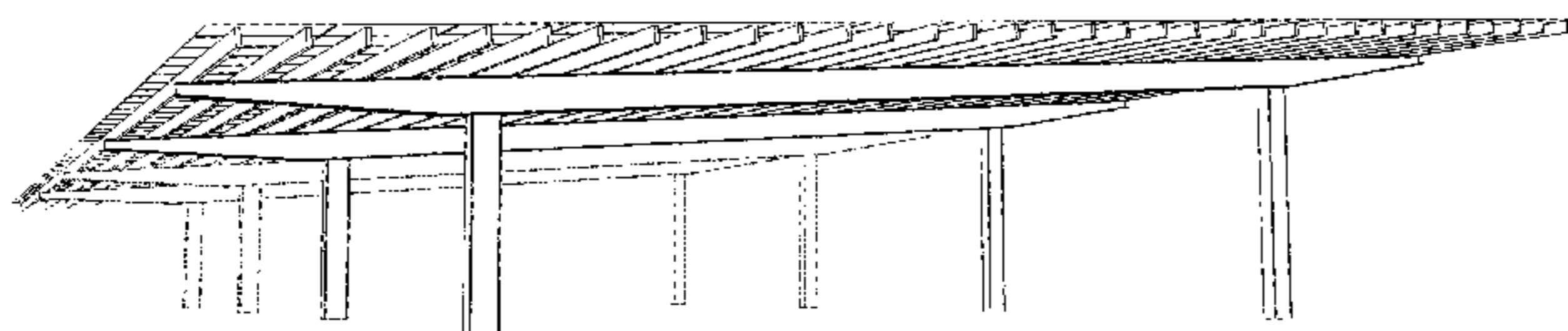
FIG. 3 is a top and right side perspective view thereof.

FIG. 4 is a left side elevational view of a second embodiment of a solar power generation assembly shown in FIG. 1.

FIG. 5 is a left side elevational view of a third embodiment of a solar power generation assembly shown in FIG. 1; and, FIG. 6 is a left side elevational view of a fourth embodiment of a solar power generation assembly shown in FIG. 1.

The broken lines in the figures show portions of the solar power generation assembly which form no part of the claimed design.

1 Claim, 6 Drawing Sheets



(56)

References Cited

U.S. PATENT DOCUMENTS

2012/0031456 A1* 2/2012 Christman H02S 20/10
136/244
2012/0037214 A1* 2/2012 Sagayama F24J 2/523
136/251

* cited by examiner

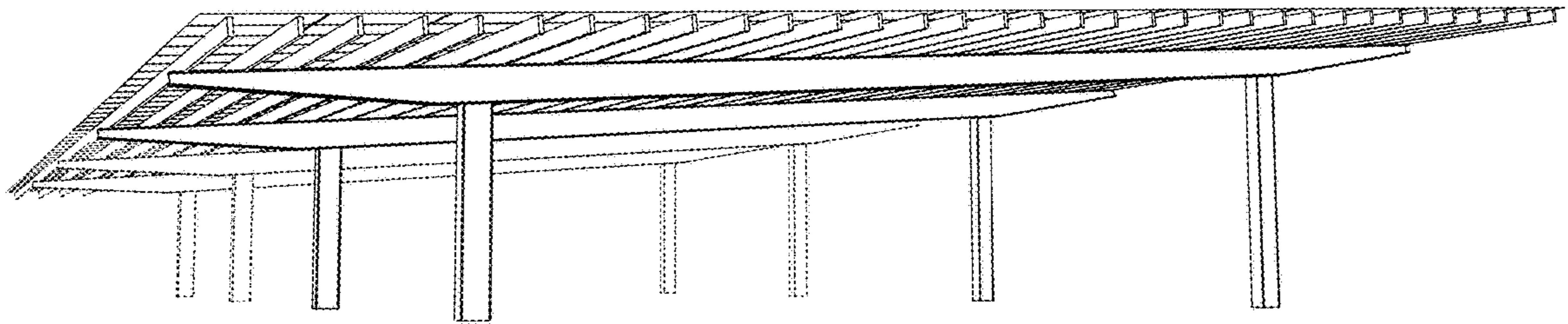


Figure 1

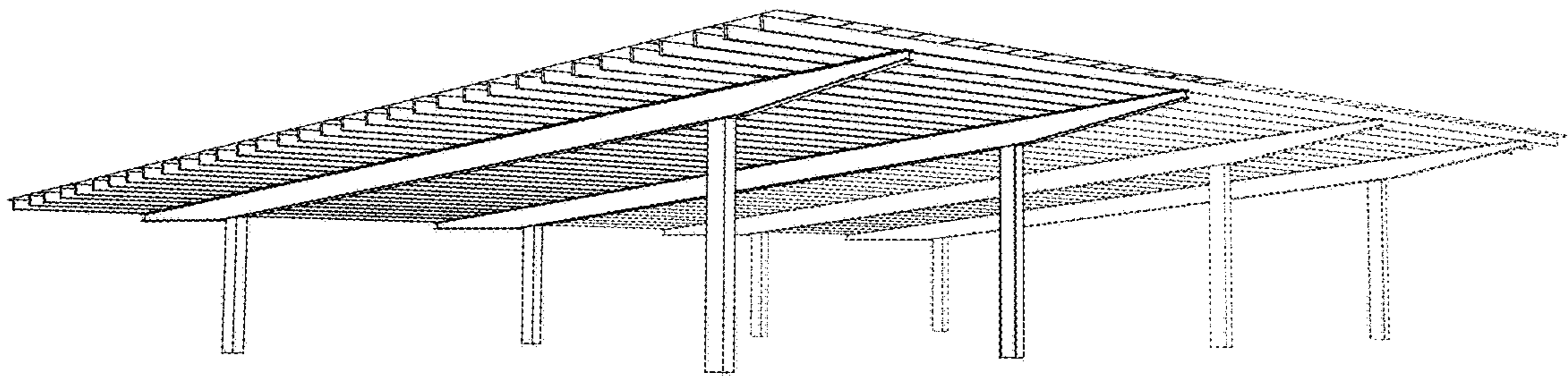


Figure 2

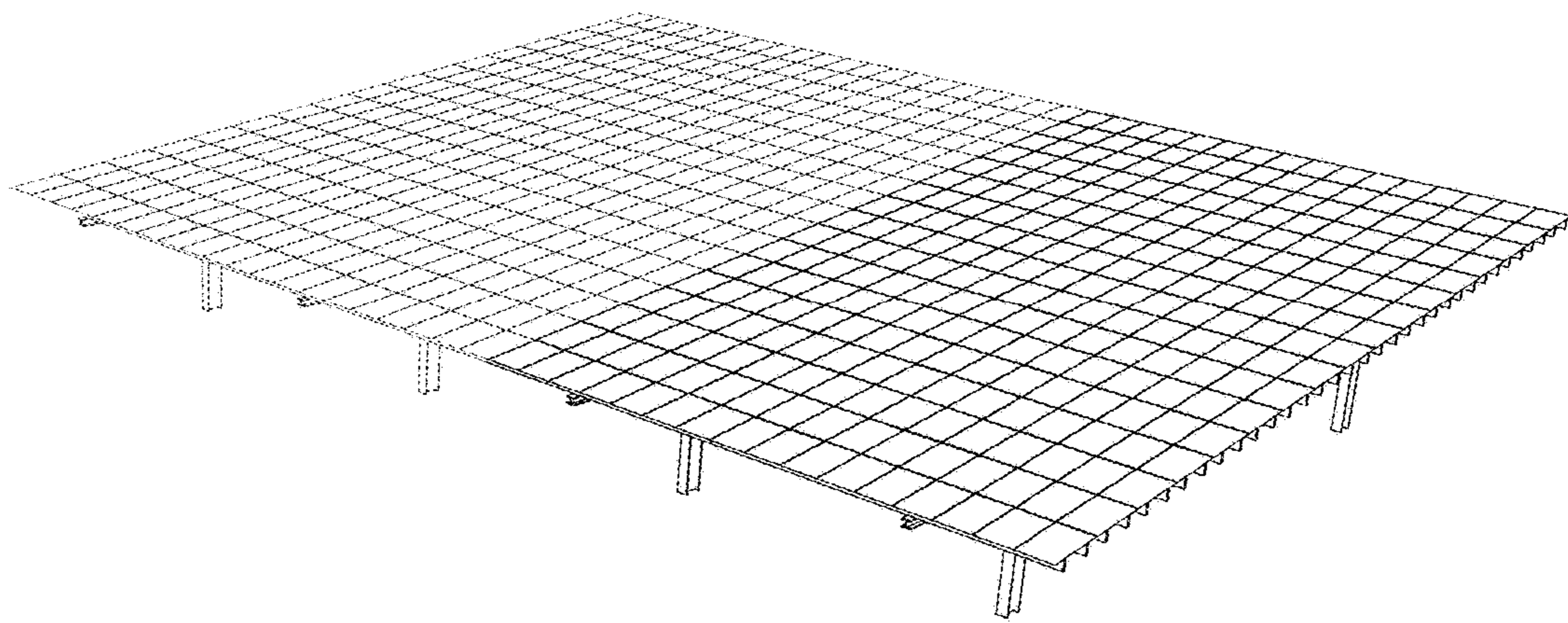


Figure 3

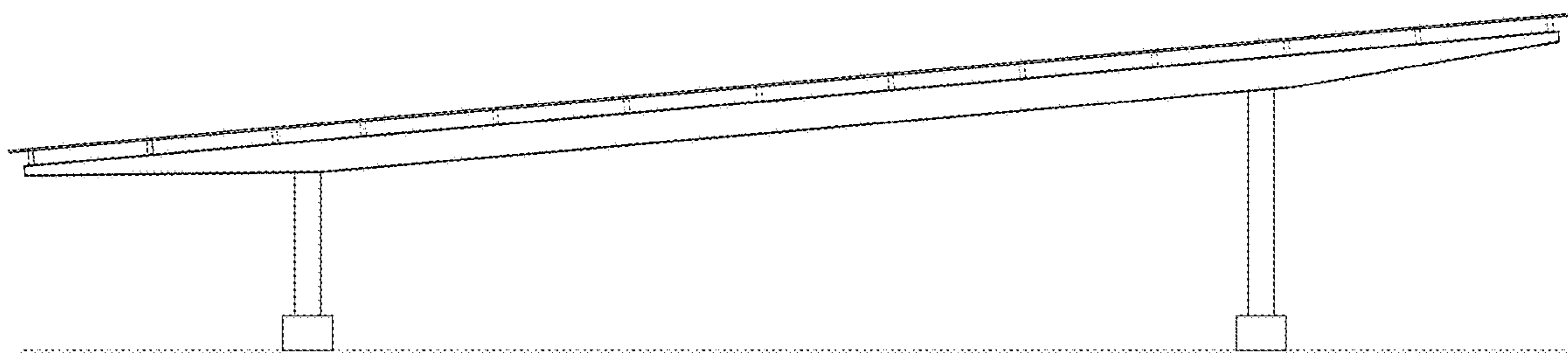


Figure 4

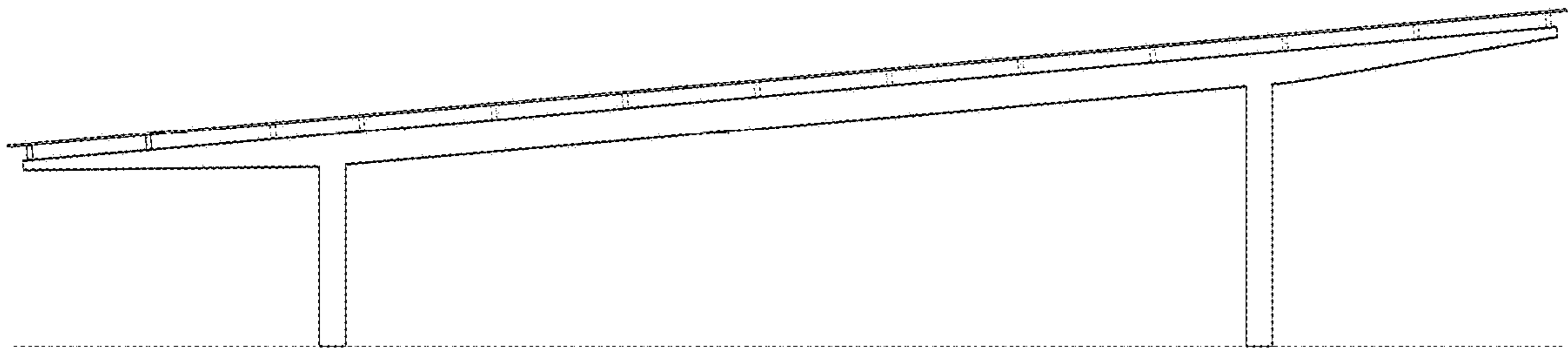


Figure 5

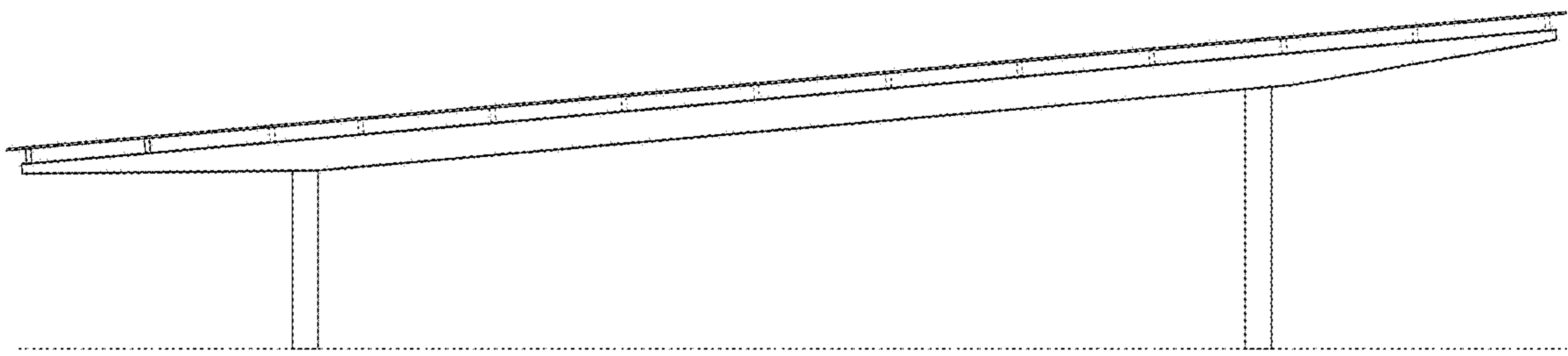


Figure 6