



US00D825442S

(12) **United States Design Patent**
Hayashi

(10) **Patent No.:** **US D825,442 S**

(45) **Date of Patent:** **** Aug. 14, 2018**

(54) **TIRE TREAD**

D803,148 S * 11/2017 Hayashi D12/521
D805,023 S * 12/2017 Hayashi D12/532
D807,813 S * 1/2018 Hayashi D12/604

(71) Applicant: **BRIDGESTONE CORPORATION,**
Tokyo (JP)

FOREIGN PATENT DOCUMENTS

(72) Inventor: **Shintaro Hayashi,** Tokyo (JP)

CN 302483247 S 6/2013
EM 002151480-0001 1/2013

(73) Assignee: **BRIDGESTONE CORPORATION,**
Tokyo (JP)

OTHER PUBLICATIONS

(**) Term: **15 Years**

Notification of Japanese Design Application No. 2016-023031 dated Jan. 17, 2017.

(21) Appl. No.: **29/601,327**

* cited by examiner

(22) Filed: **Apr. 21, 2017**

(30) **Foreign Application Priority Data**

Primary Examiner — Lakiya G Rogers

Assistant Examiner — John A Voytek

Oct. 24, 2016 (JP) 2016-023031

(74) *Attorney, Agent, or Firm* — Sughrue Mion, PLLC

(51) **LOC (11) Cl.** **12-15**

(57) **CLAIM**

(52) **U.S. Cl.**
USPC **D12/532**

The ornamental design for a tire tread, as shown and described.

(58) **Field of Classification Search**

DESCRIPTION

USPC D12/500–532, 604
CPC Y10T 152/10027; B60C 1/0016; B60C 11/0306; B60C 11/0302; B60C 3/06; B60C 9/17

FIG. 1 is a perspective view of a tire tread showing my new design;

FIG. 2 is a front view thereof;

FIG. 3 is a top view thereof;

FIG. 4 is a right side view thereof;

FIG. 5 is a left side view thereof;

FIG. 6 is a fragmentary enlarged front view showing the details of the tread thereof;

FIG. 7 is a section view taken along line 7-7 in FIG. 6; and, FIG. 8 is a section view taken along line 8-8 in FIG. 6.

Broken lines in the drawing figures are intended to show portions of the inner surface and sidewalls of the tire that form no part of the claimed invention.

See application file for complete search history.

(56) **References Cited**

U.S. PATENT DOCUMENTS

D678,176 S * 3/2013 Park D12/531
D709,434 S * 7/2014 Kato D12/521
D780,091 S * 2/2017 Colletti D12/521
D783,506 S * 4/2017 Kossi D12/521
D789,287 S * 6/2017 Zhang D12/501
D792,323 S * 7/2017 Colletti D12/521
D795,164 S * 8/2017 Philipot D12/521
D795,173 S * 8/2017 Hayashi D12/588

1 Claim, 8 Drawing Sheets

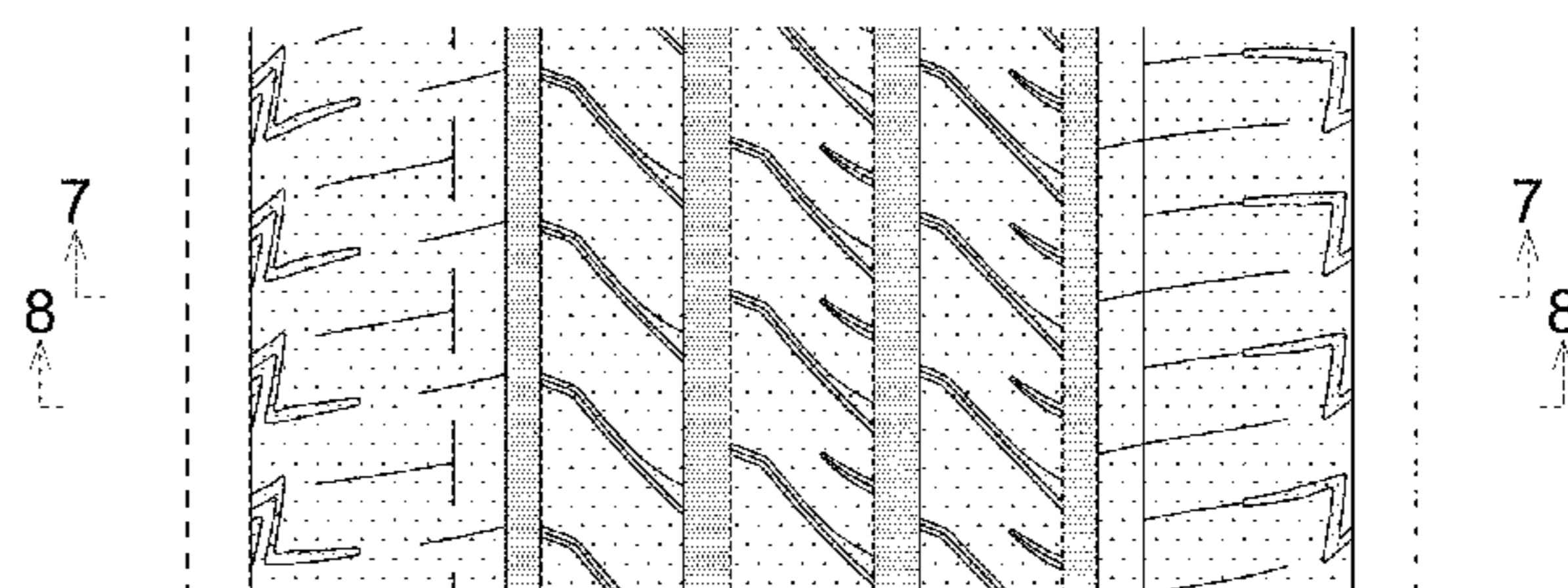
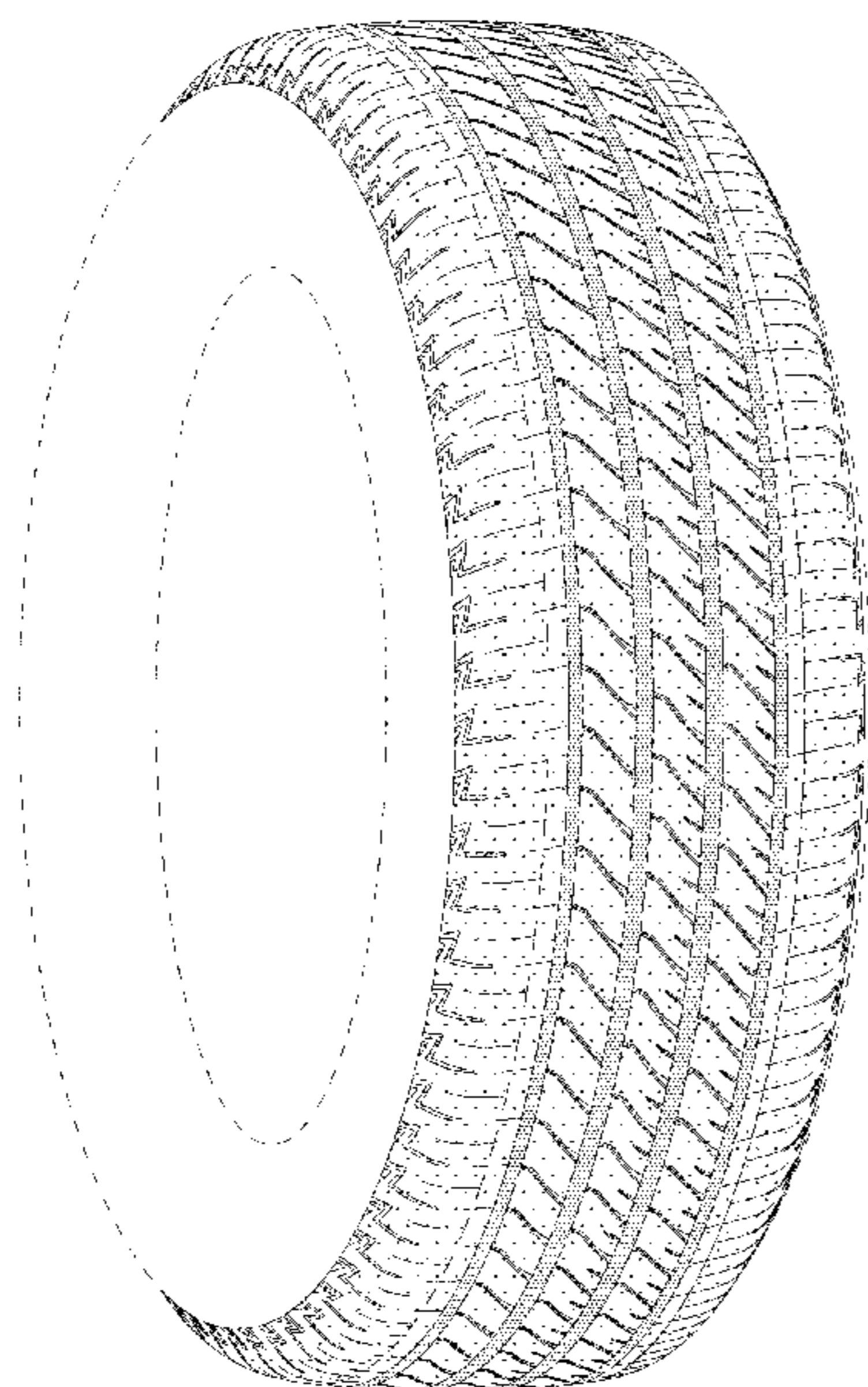


FIG. 1

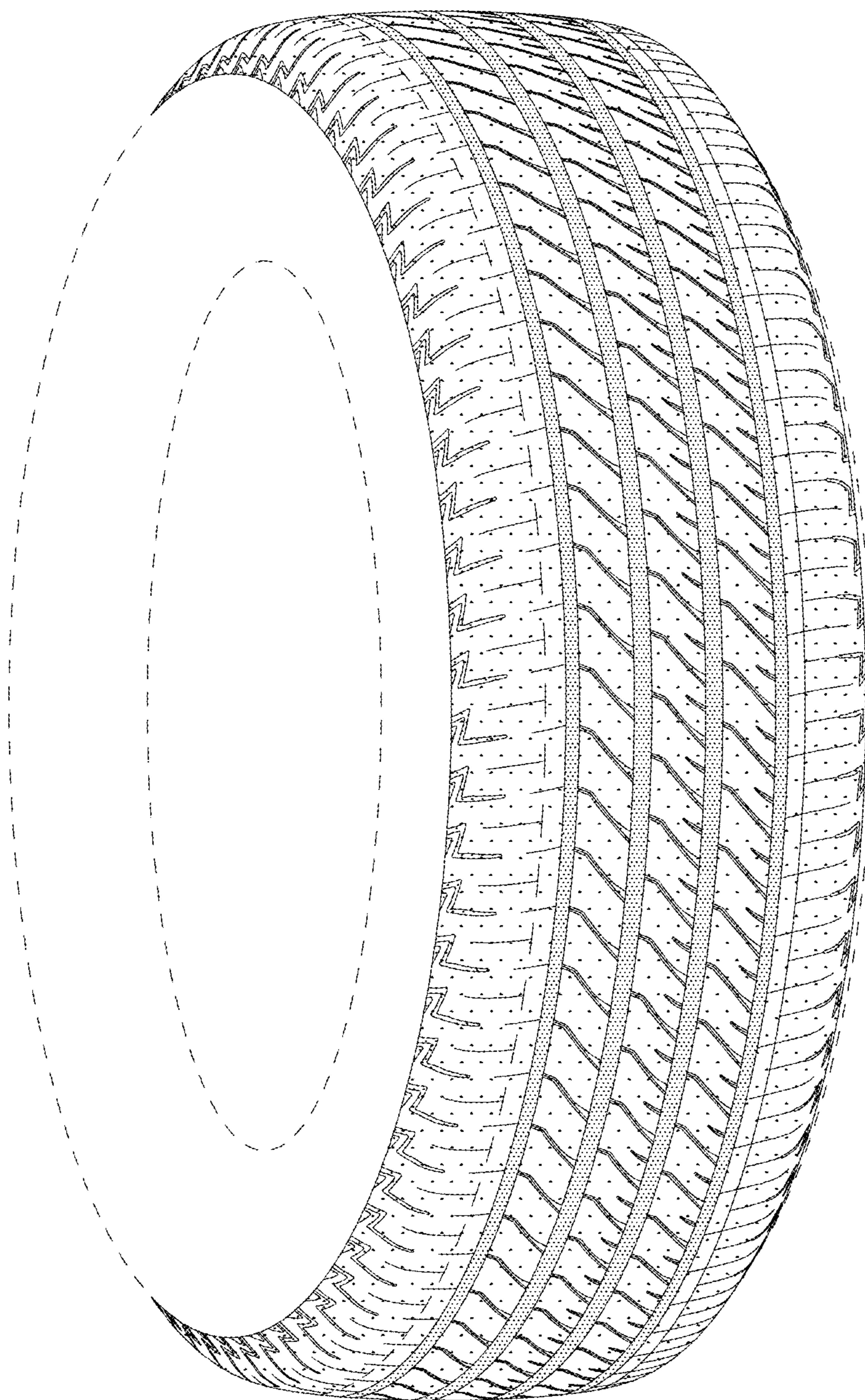


FIG. 2

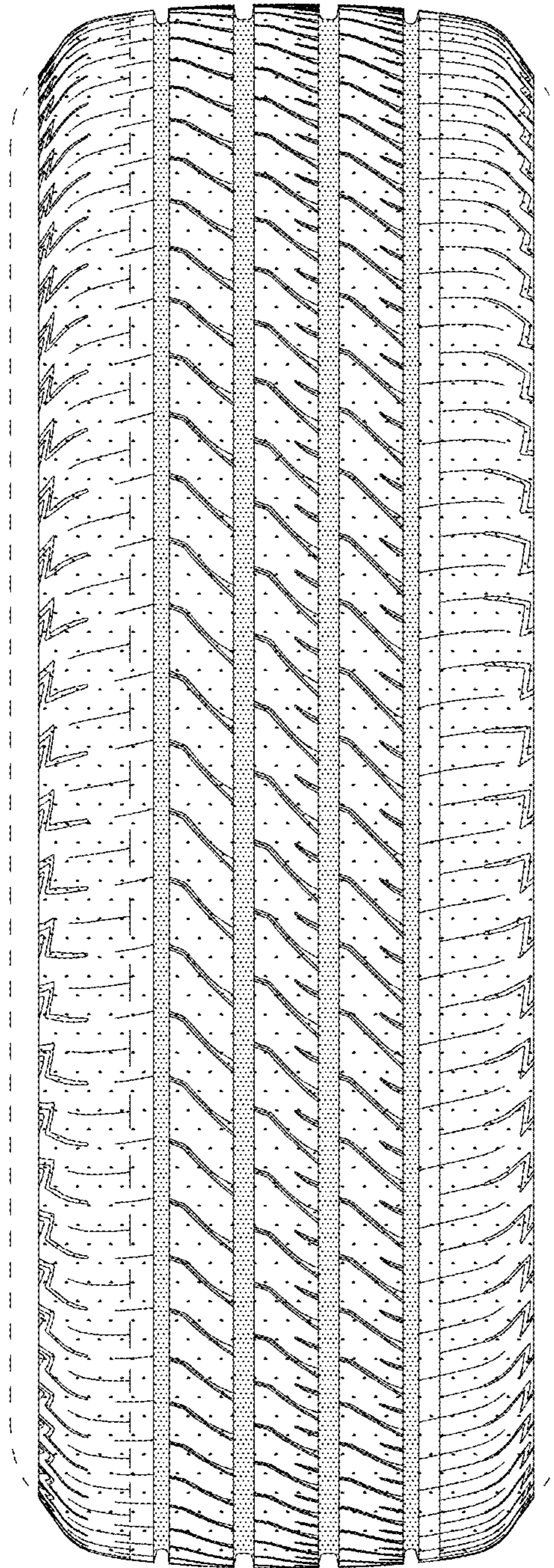


FIG. 3

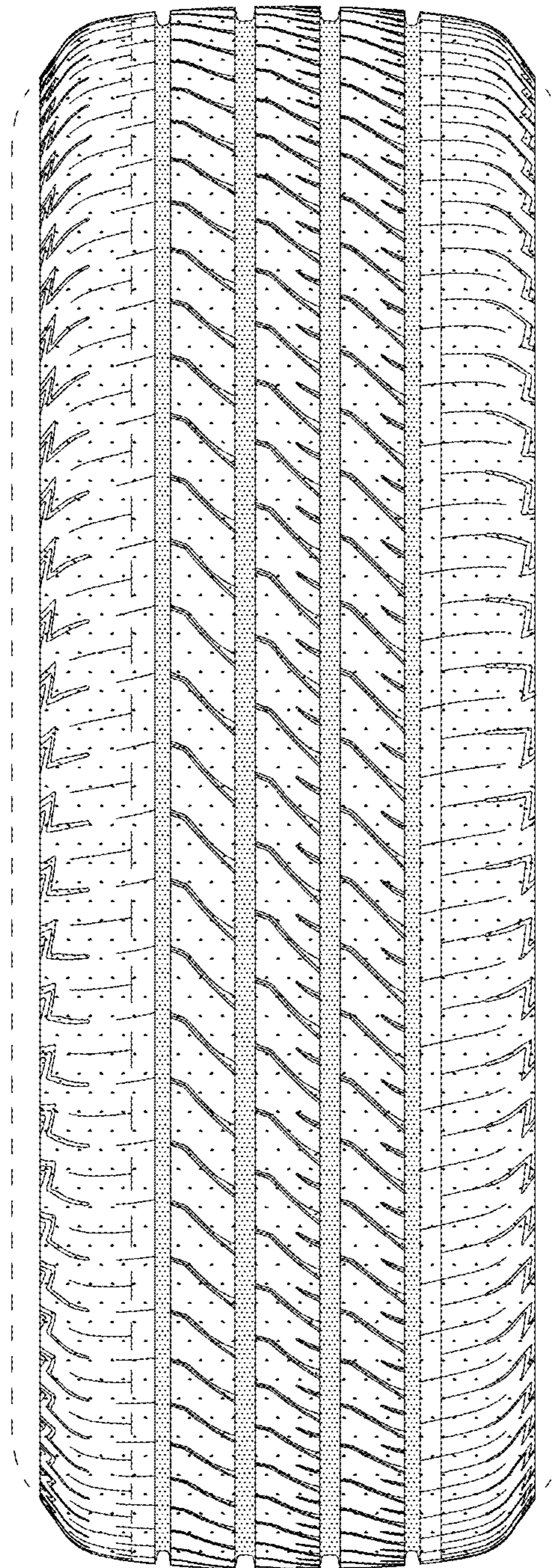


FIG. 4

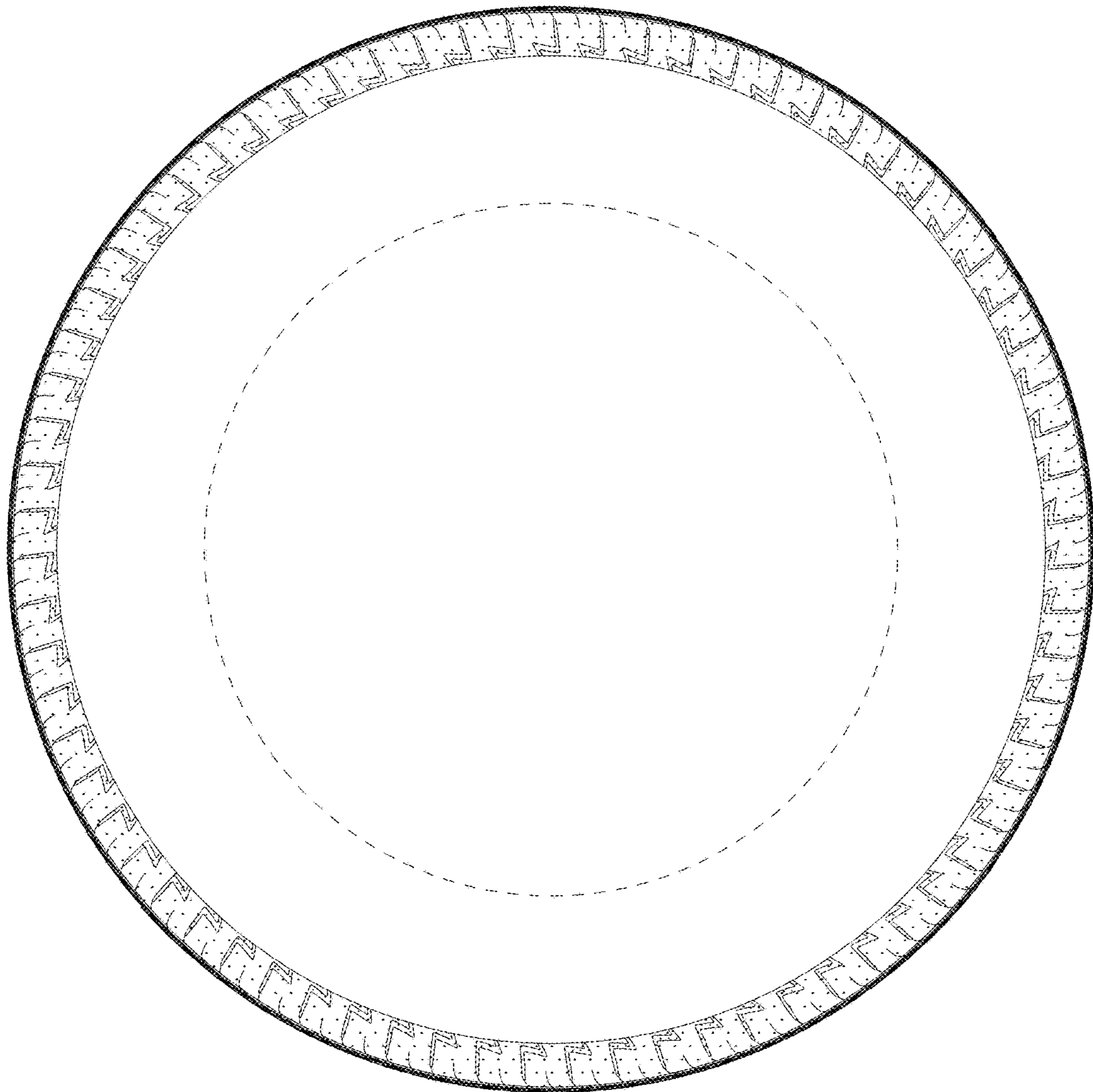


FIG. 5

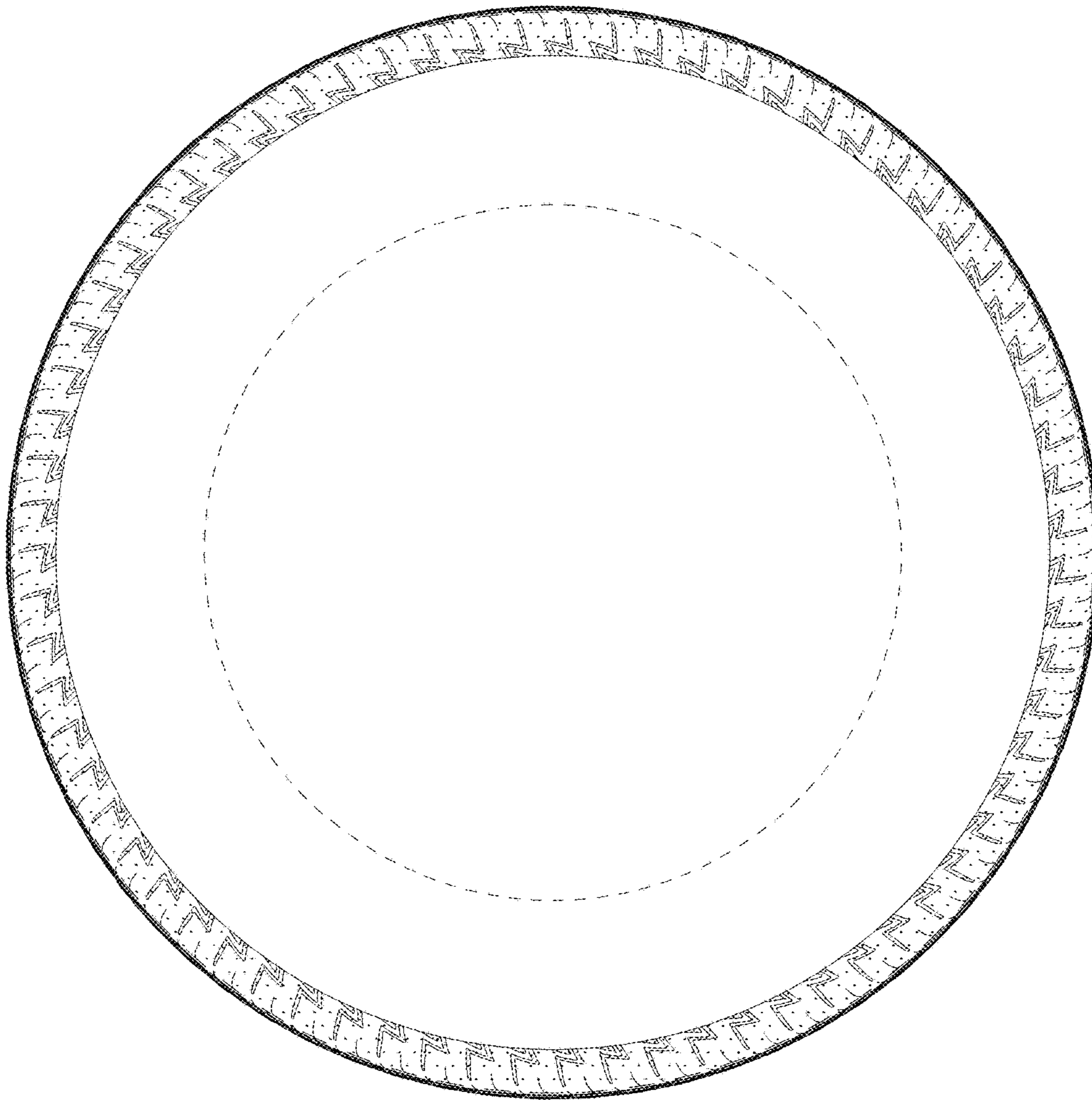


FIG. 6

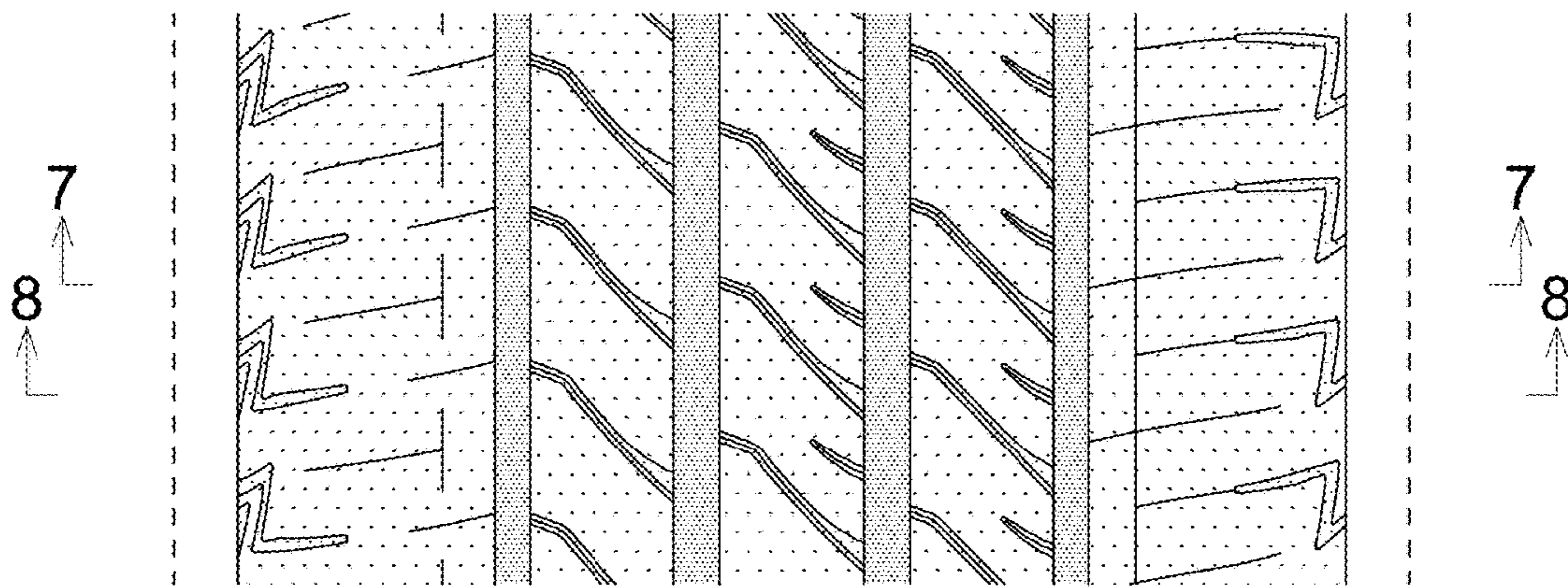


FIG. 7

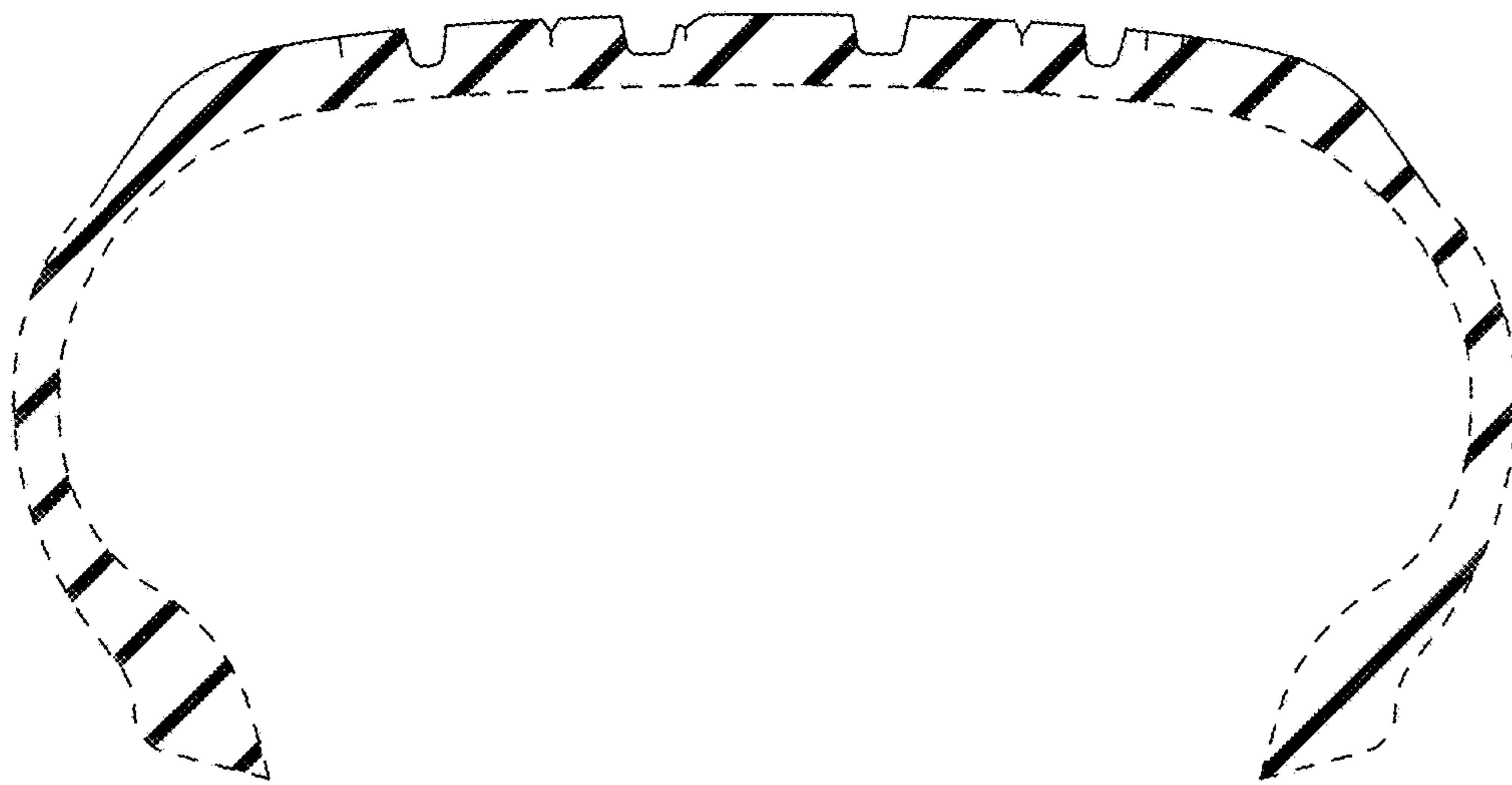


FIG. 8

