



US00D825441S

(12) **United States Design Patent**  
**Sato**

(10) **Patent No.:** **US D825,441 S**

(45) **Date of Patent:** **\*\* Aug. 14, 2018**

(54) **TIRE**

D764,391 S \* 8/2016 Shen ..... D12/584  
D780,099 S \* 2/2017 Parr ..... D12/584  
D796,424 S \* 9/2017 Serva ..... D12/521

(71) Applicant: **Toyo Tire & Rubber Co., Ltd.**,  
Osaka-shi, Osaka (JP)

**FOREIGN PATENT DOCUMENTS**

(72) Inventor: **Yoshiki Sato**, Osaka (JP)

JP 1392538 7/2012  
JP 1495600 4/2014

(73) Assignee: **TOYO TIRE & RUBBER CO., LTD.**,  
Osaka (JP)

\* cited by examiner

(\*\*) Term: **15 Years**

*Primary Examiner* — Robert Middleton Spear  
(74) *Attorney, Agent, or Firm* — Sterne, Kessler,  
Goldstein & Fox P.L.L.C.

(21) Appl. No.: **29/587,619**

(22) Filed: **Dec. 14, 2016**

(57) **CLAIM**

The ornamental design for a tire, as shown and described.

(30) **Foreign Application Priority Data**

**DESCRIPTION**

Jul. 14, 2016 (JP) ..... 2016-015091

(51) **LOC (11) Cl.** ..... **12-15**

(52) **U.S. Cl.**  
USPC ..... **D12/532; D12/523; D12/900**

(58) **Field of Classification Search**  
USPC ..... D12/515, 516, 517, 518, 519, 520, 521,  
D12/522, 523, 531, 532, 900  
See application file for complete search history.

FIG. 1 is a front perspective view of a tire showing the claimed design;

FIG. 2 is a front view thereof;

FIG. 3 is a rear view thereof;

FIG. 4 is a top plan view thereof, the bottom plan view being the same;

FIG. 5 is a right side view thereof;

FIG. 6 is a left side view thereof;

FIG. 7 is an enlarged view of the portion 7-7 in FIG. 2;

FIG. 8 is an enlarged cross-sectional view taken along line 8-8 in FIG. 7;

FIG. 9 is an enlarged view of the portion 9-9 to line 9'-9' in FIG. 7; and,

FIG. 10 is an enlarged view of the portion 10-10 to line 10'-10' in FIG. 8.

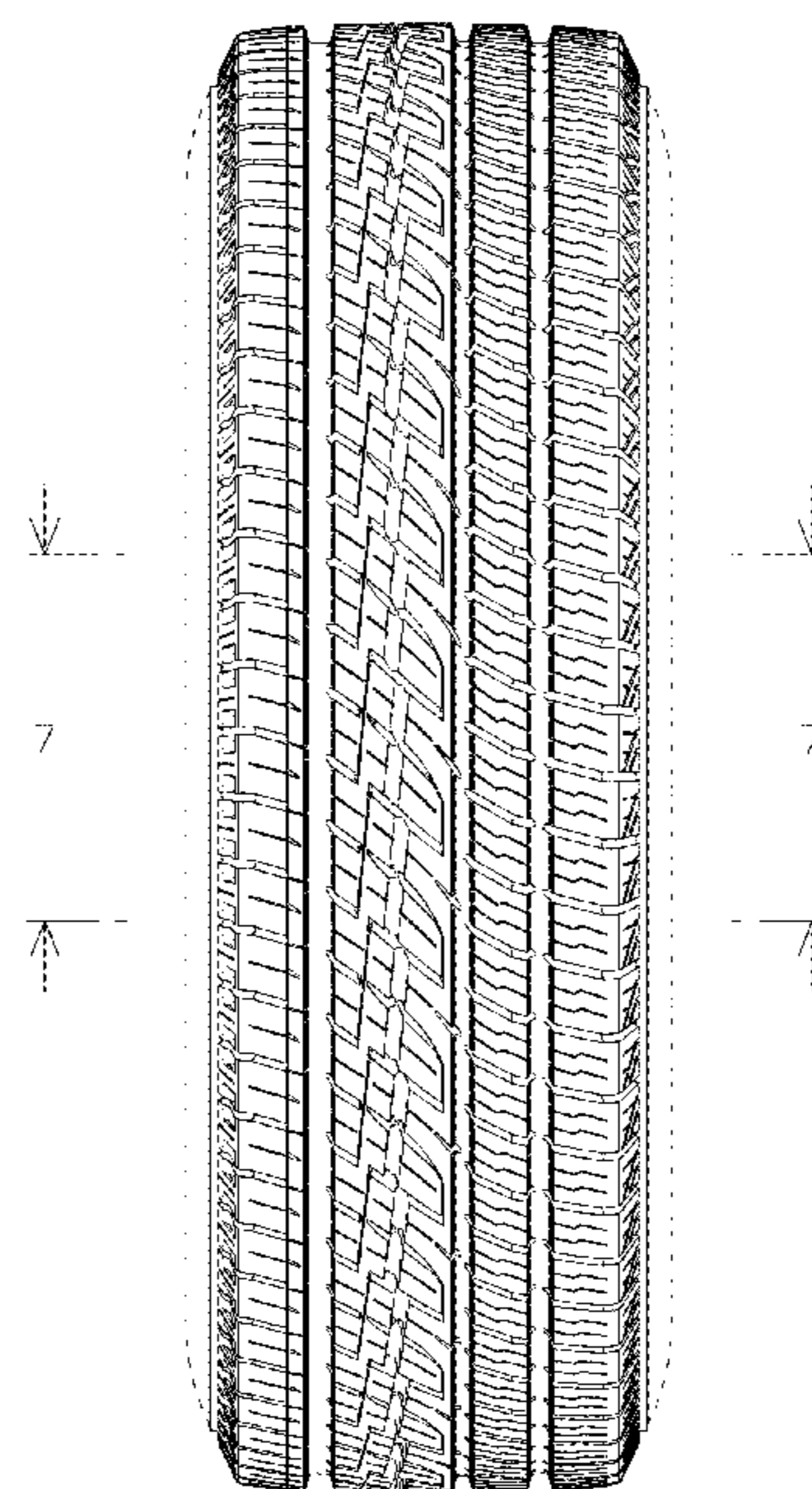
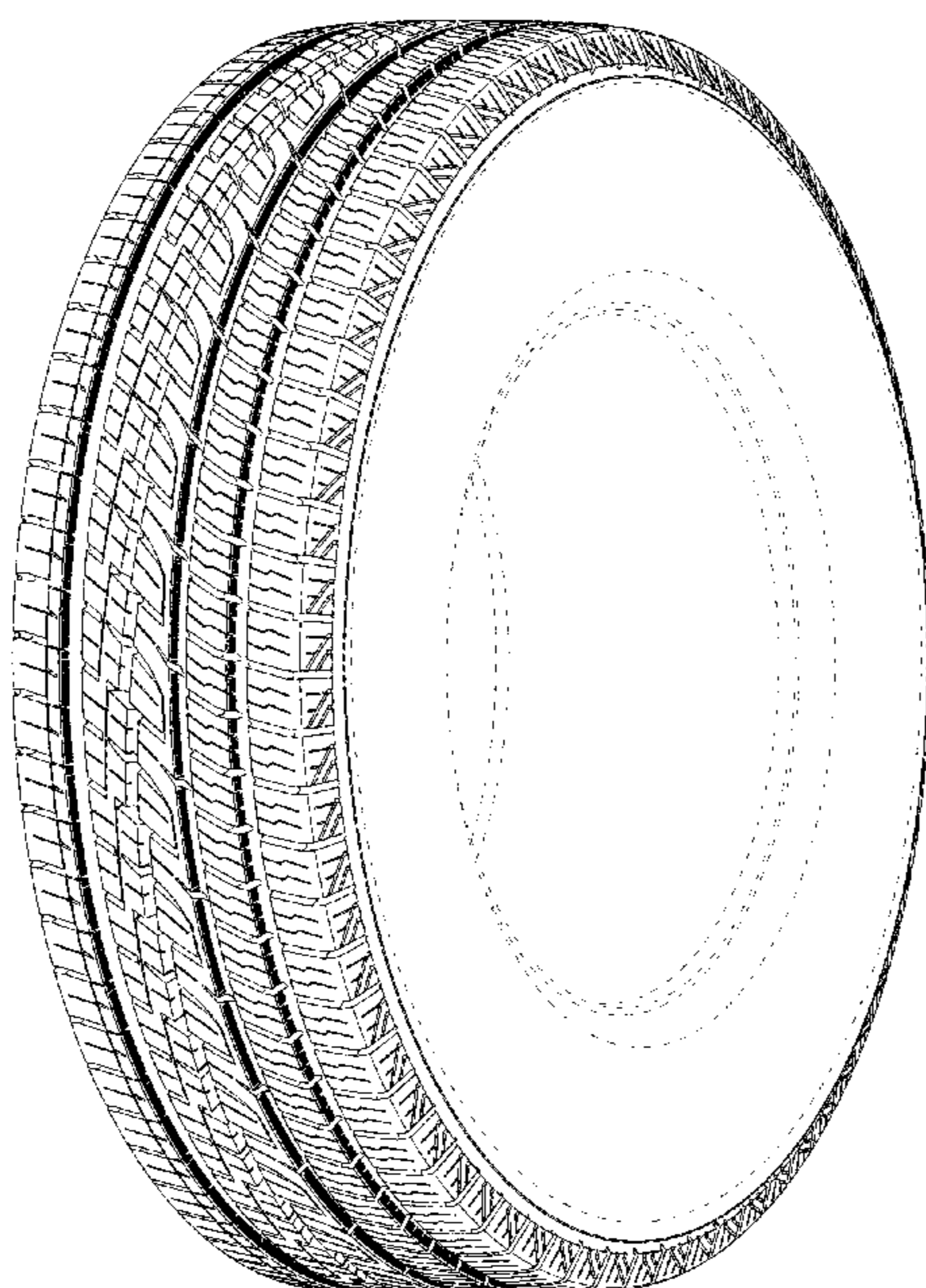
In the drawings, the broken lines showing portions of the sidewall, inner bead, and peripheral boundary depict portions of the tire that form no part of the claimed design.

(56) **References Cited**

**U.S. PATENT DOCUMENTS**

D467,222 S \* 12/2002 Kuramochi ..... D12/517  
D524,722 S \* 7/2006 Dumigan ..... D12/517  
D586,725 S \* 2/2009 Fontaine ..... D12/519  
D599,274 S \* 9/2009 Sakai ..... D12/515  
D603,323 S \* 11/2009 Sakai ..... D12/515  
D608,728 S \* 1/2010 Brown ..... D12/584  
D626,496 S \* 11/2010 Fraenkel ..... D12/516  
D626,497 S \* 11/2010 Fraenkel ..... D12/516  
D699,663 S \* 2/2014 Dixon ..... D12/521

**1 Claim, 10 Drawing Sheets**



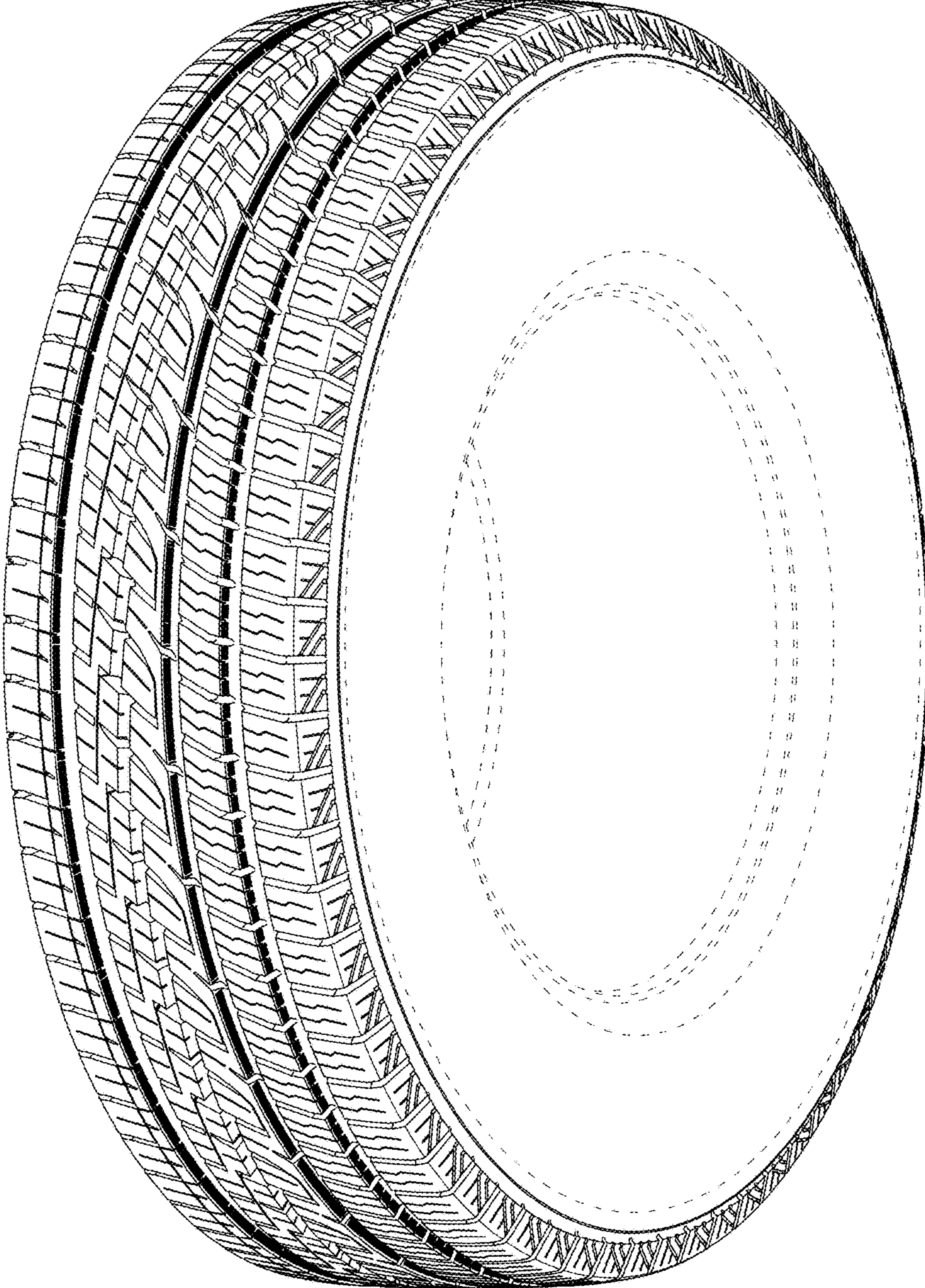


FIG. 1

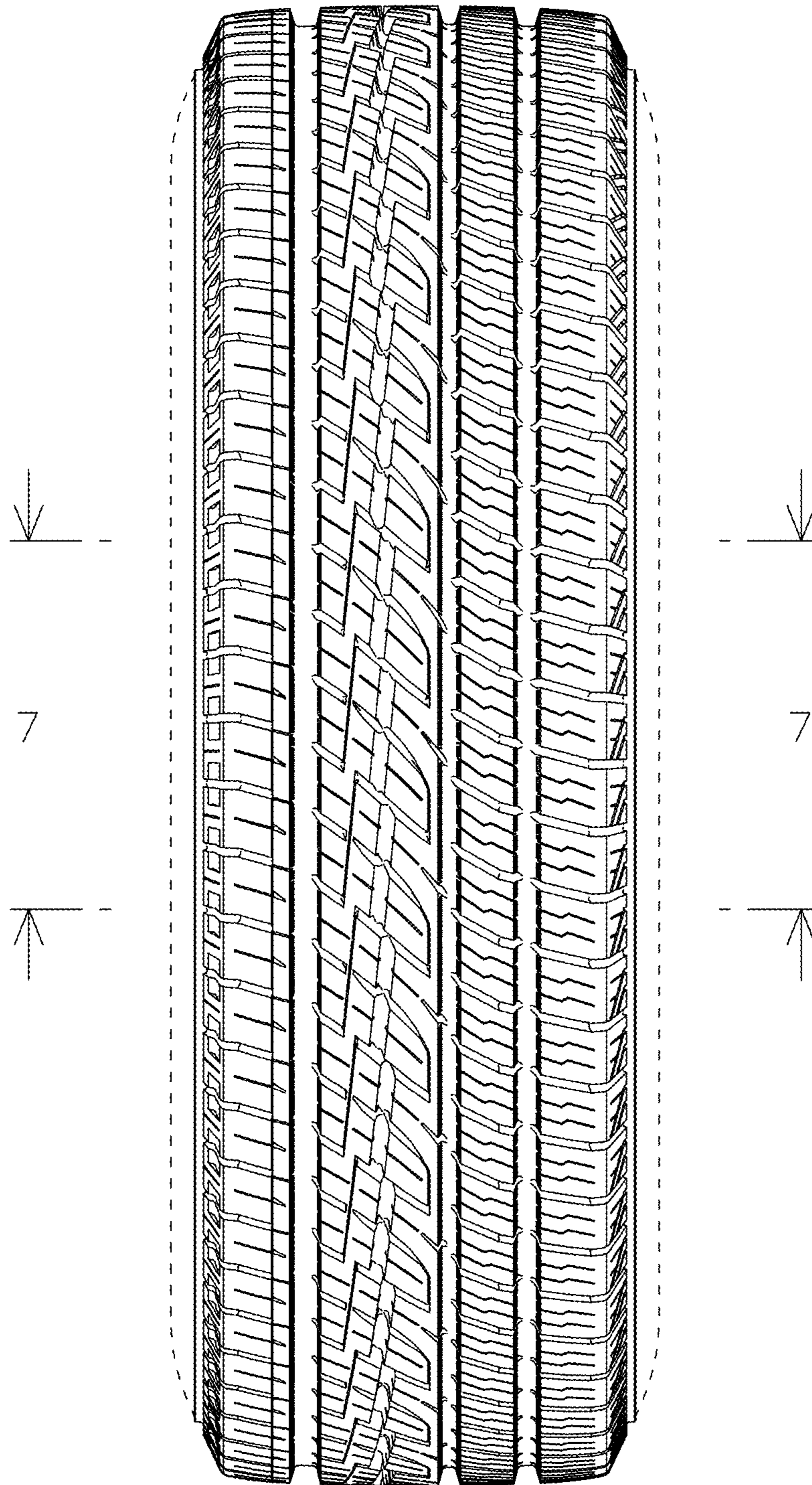


FIG. 2

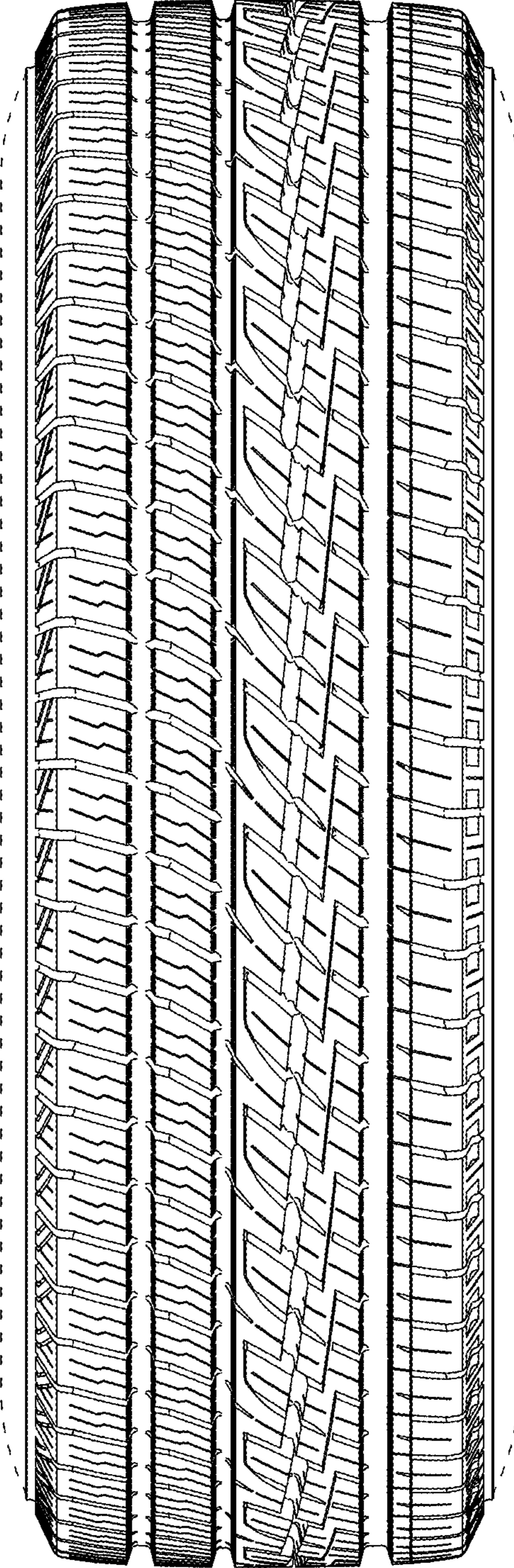


FIG. 3

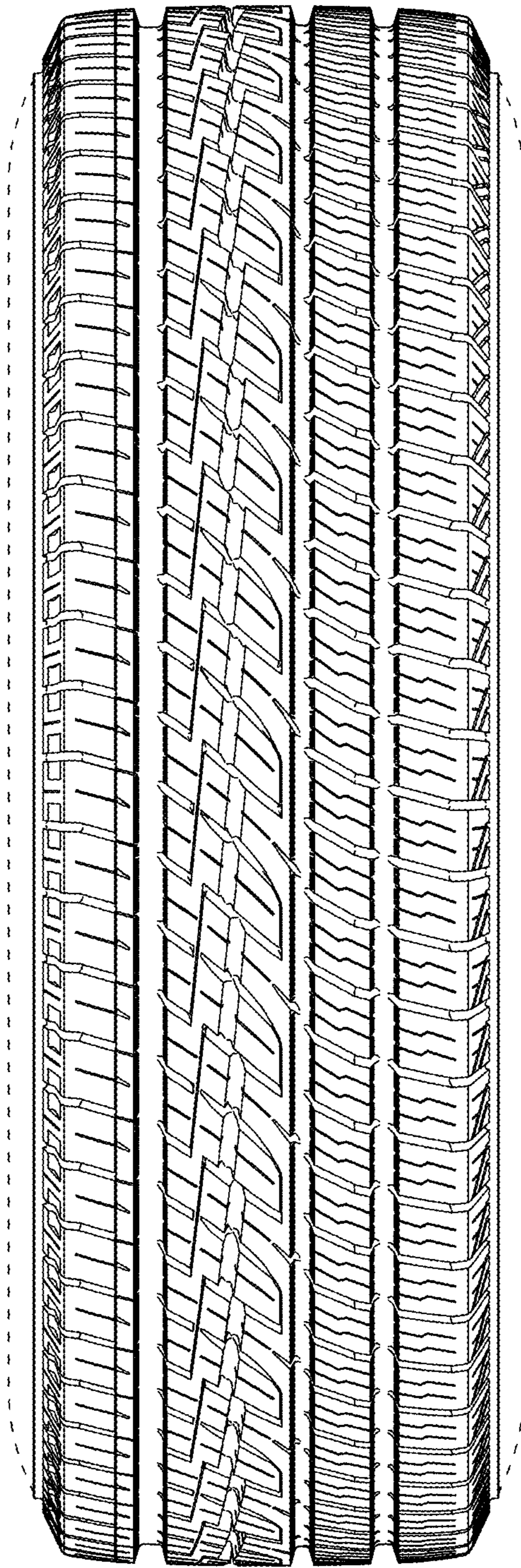


FIG. 4

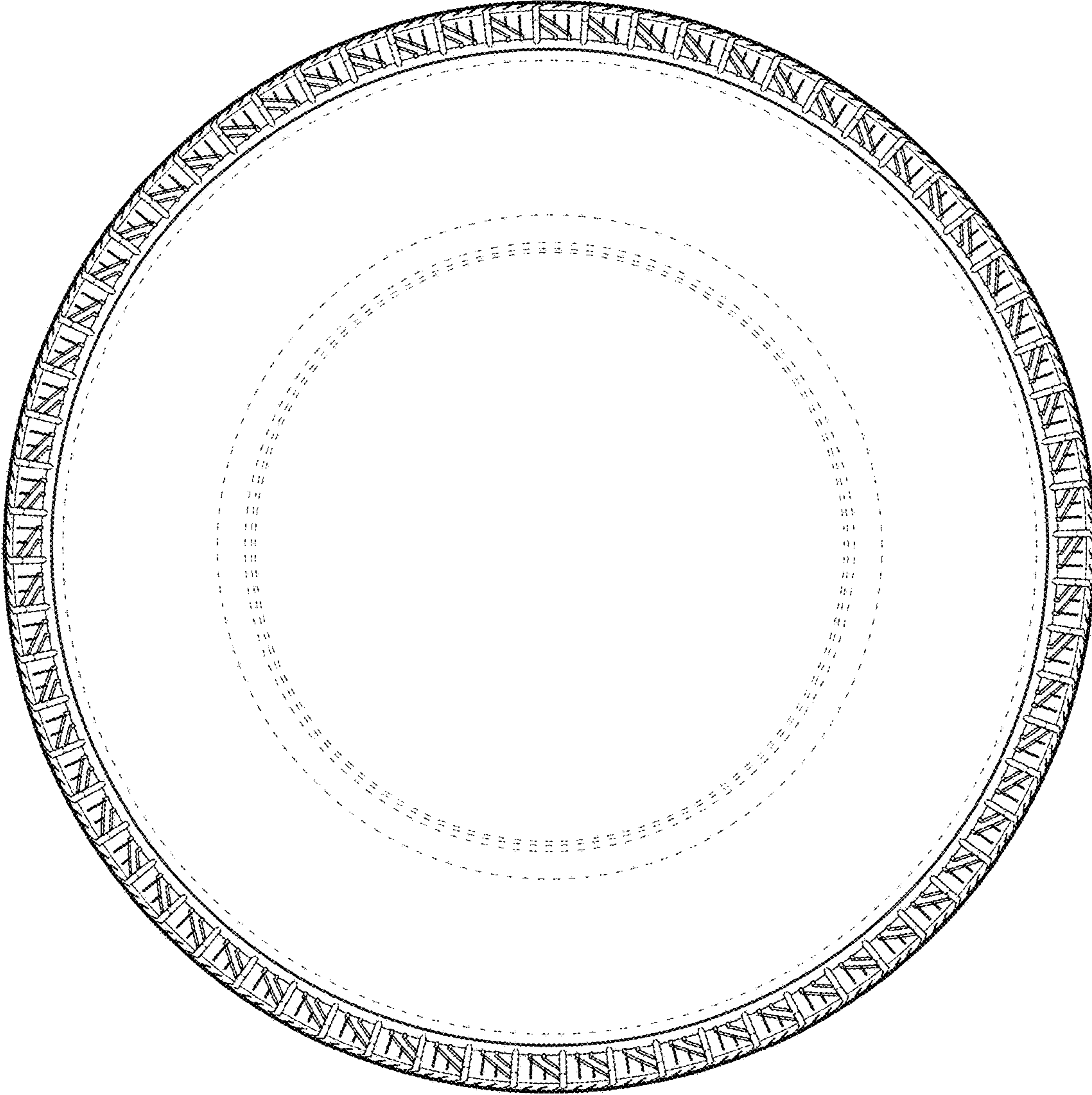


FIG. 5

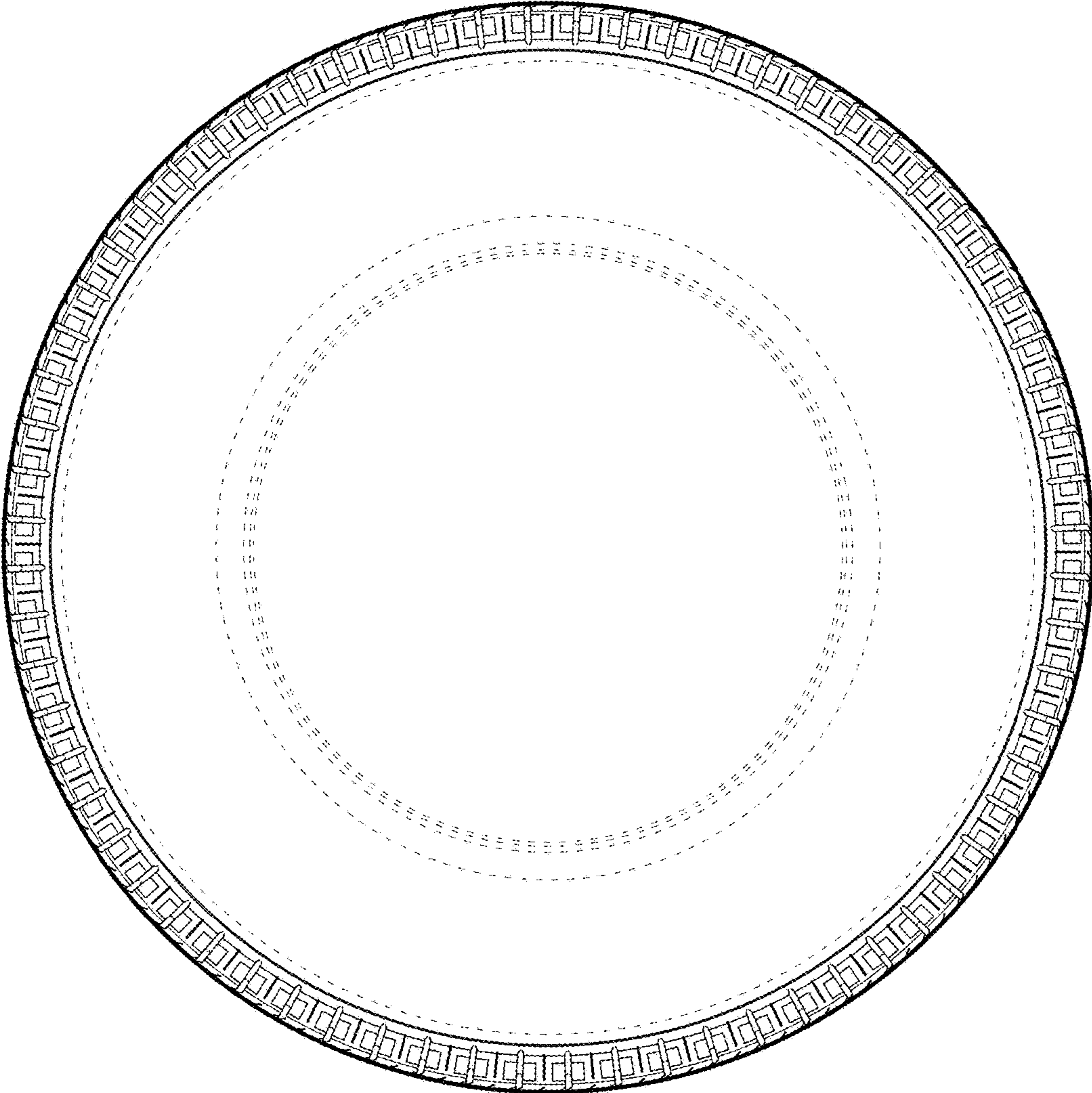


FIG. 6

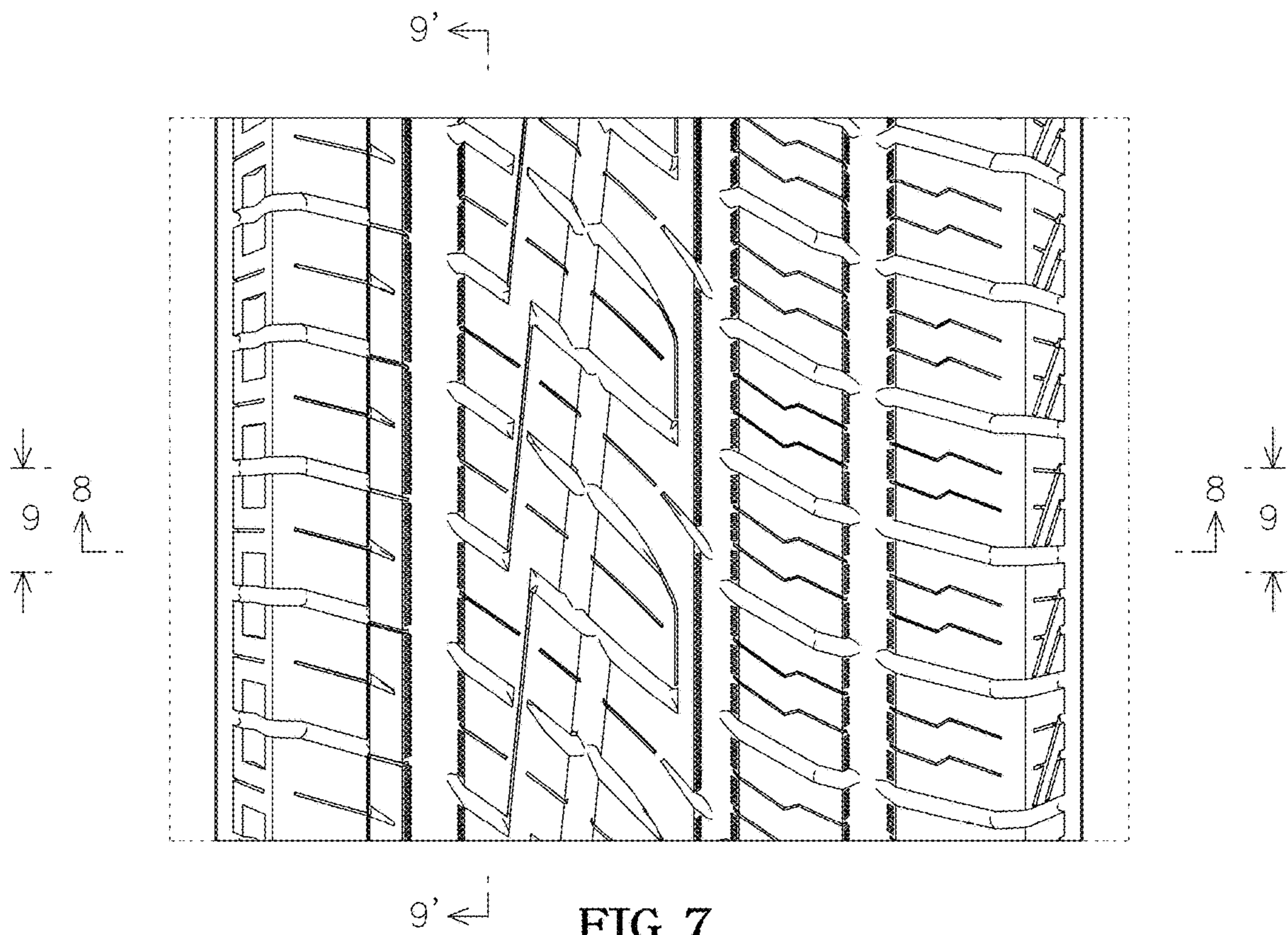


FIG. 7



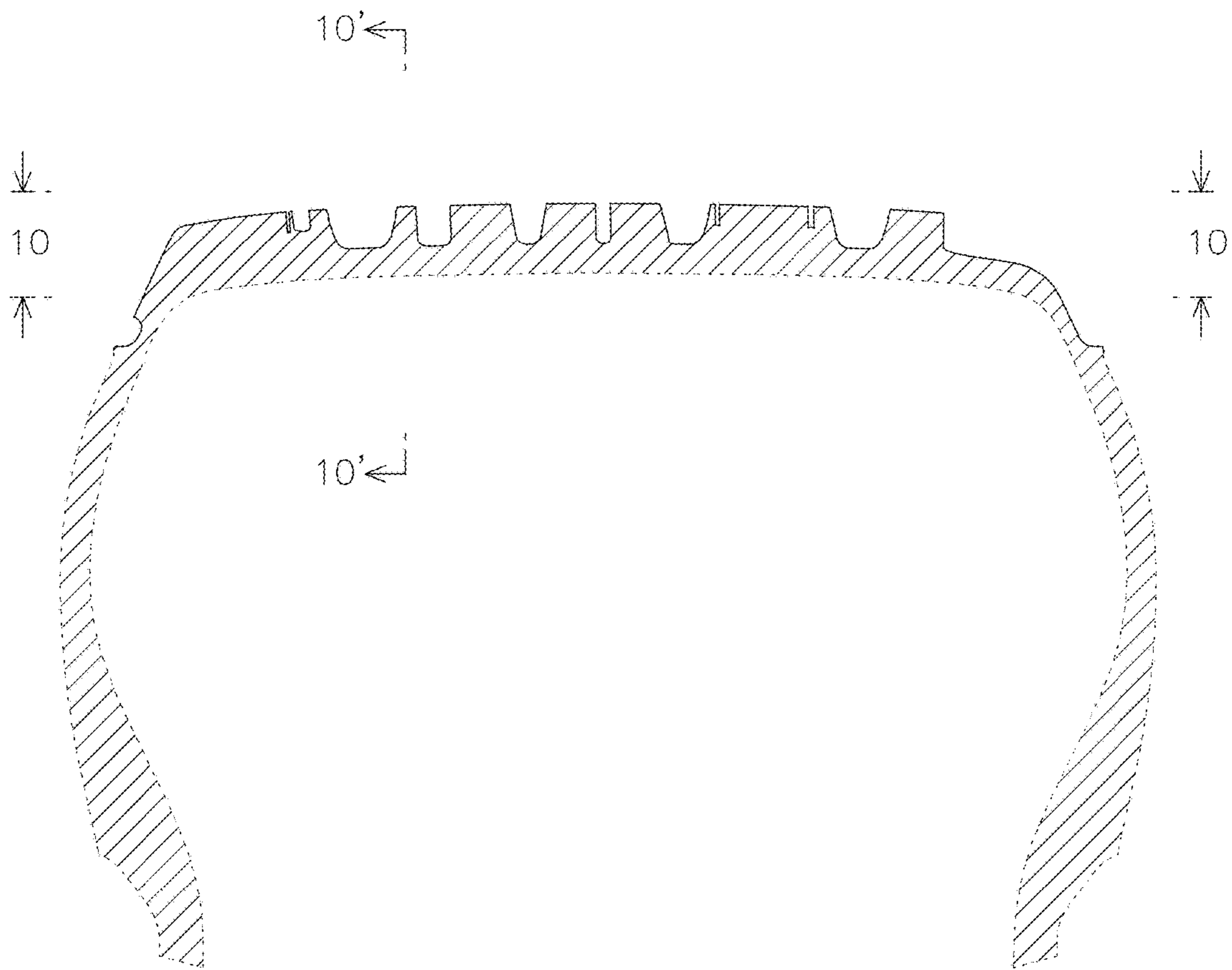


FIG. 8

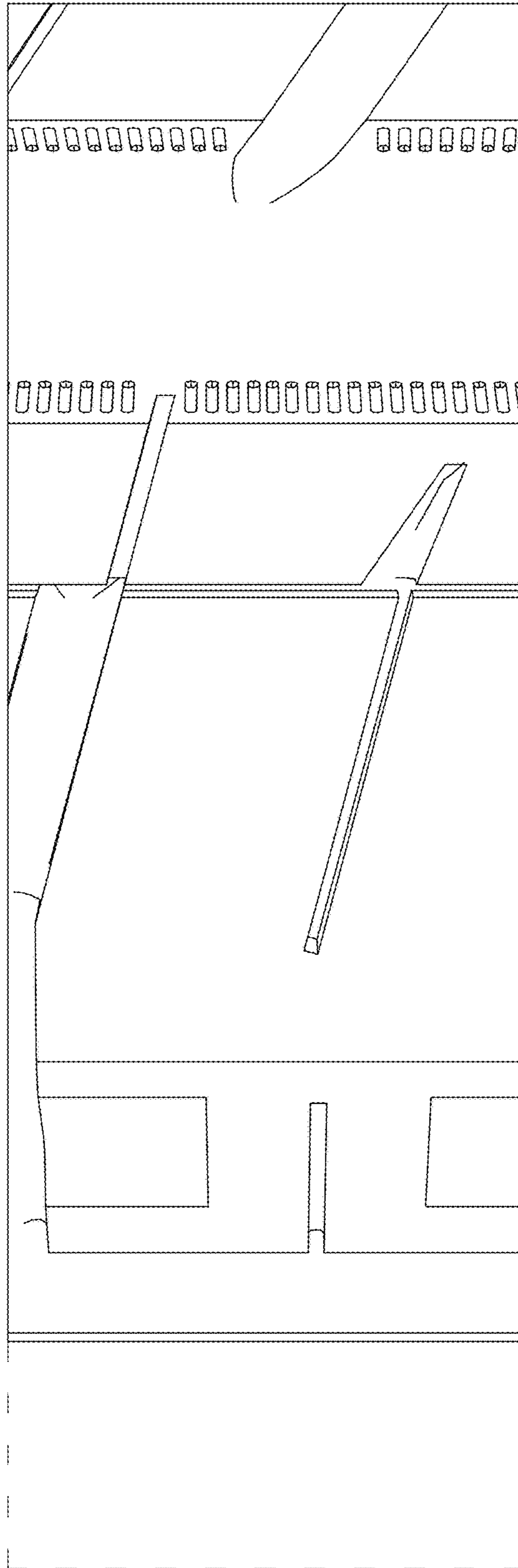


FIG. 9

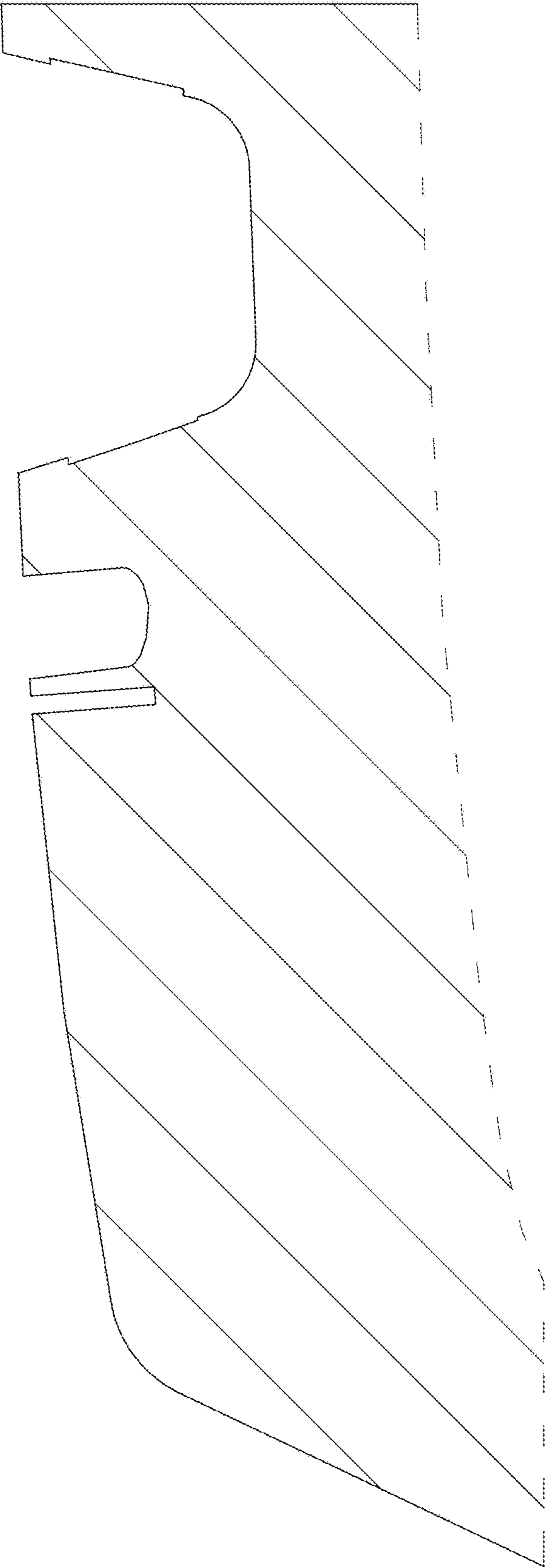


FIG. 10