



US00D825437S

(12) **United States Design Patent** (10) **Patent No.:** **US D825,437 S**
Hilton et al. (45) **Date of Patent:** **** Aug. 14, 2018**

(54) **VEHICLE CENTRAL CONTROL CONSOLE**

(71) Applicant: **NEXTEV LIMITED**, Hong Kong (HK)

(72) Inventors: **David Hilton**, Hong Kong (HK);
Andrew Sheffield, Hong Kong (HK)

(**) Term: **15 Years**

(21) Appl. No.: **29/591,710**

(22) Filed: **Jan. 23, 2017**

(30) **Foreign Application Priority Data**

Jul. 29, 2016 (EP) 003324532

(51) **LOC (11) Cl.** **12-16**

(52) **U.S. Cl.**
USPC **D12/415**

(58) **Field of Classification Search**
USPC D12/419, 416, 417, 418, 415, 420;
D7/701, 619.1-625; D21/421
CPC B60N 2/46
See application file for complete search history.

(56) **References Cited**

U.S. PATENT DOCUMENTS

D522,957 S * 6/2006 Miyashita D12/415
D555,676 S * 11/2007 Haubrich D15/28
D568,232 S * 5/2008 Motozaki D12/421
D636,410 S * 4/2011 Ono D15/28

D640,293 S * 6/2011 Ono D15/28
D685,397 S * 7/2013 Anderson D15/28
D718,218 S * 11/2014 Tanaka D12/424
D724,521 S * 3/2015 Ashley D12/419
9,199,579 B2 * 12/2015 Gillis B60R 7/04
D766,811 S * 9/2016 Shouno D12/419
D766,812 S * 9/2016 Kabata D12/423
D770,968 S * 11/2016 Willis D12/415
D777,623 S * 1/2017 Anderton D12/174

* cited by examiner

Primary Examiner — Katrina A Betton

(74) *Attorney, Agent, or Firm* — Hogan Lovells US LLP

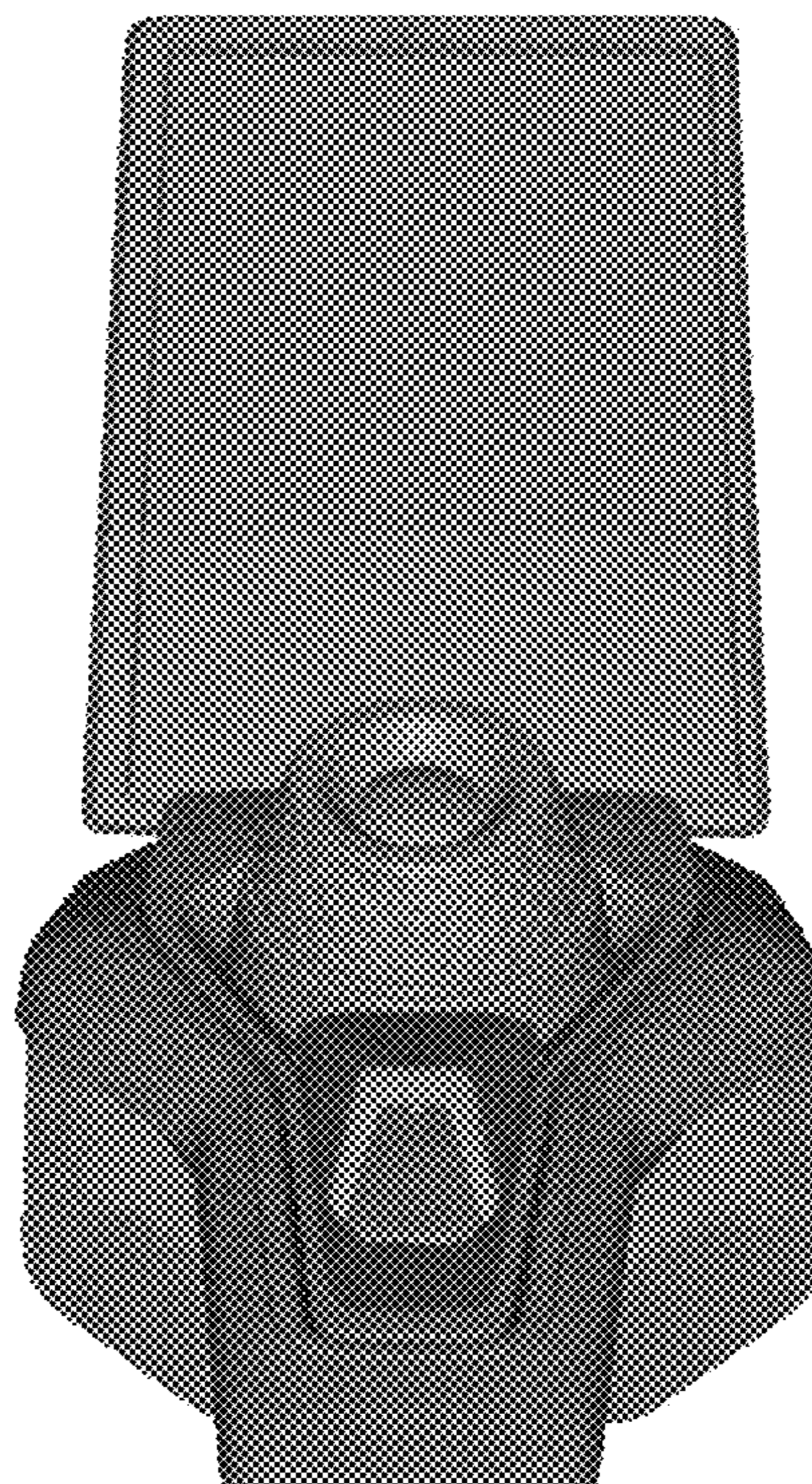
(57) **CLAIM**

The ornamental design for a vehicle central control console, as shown and described.

DESCRIPTION

FIG. 1 is a front view thereof;
FIG. 2 is a rear view thereof;
FIG. 3 is a left side view thereof;
FIG. 4 is a right side view thereof;
FIG. 5 is a perspective view thereof;
FIG. 6 is a close up perspective view thereof;
FIG. 7 is a front perspective view thereof;
FIG. 8 is a left perspective view thereof;
FIG. 9 is a right perspective view thereof; and,
FIG. 10 is a top view thereof.
The elements depicted in broken lines form no part of the claimed design.

1 Claim, 10 Drawing Sheets



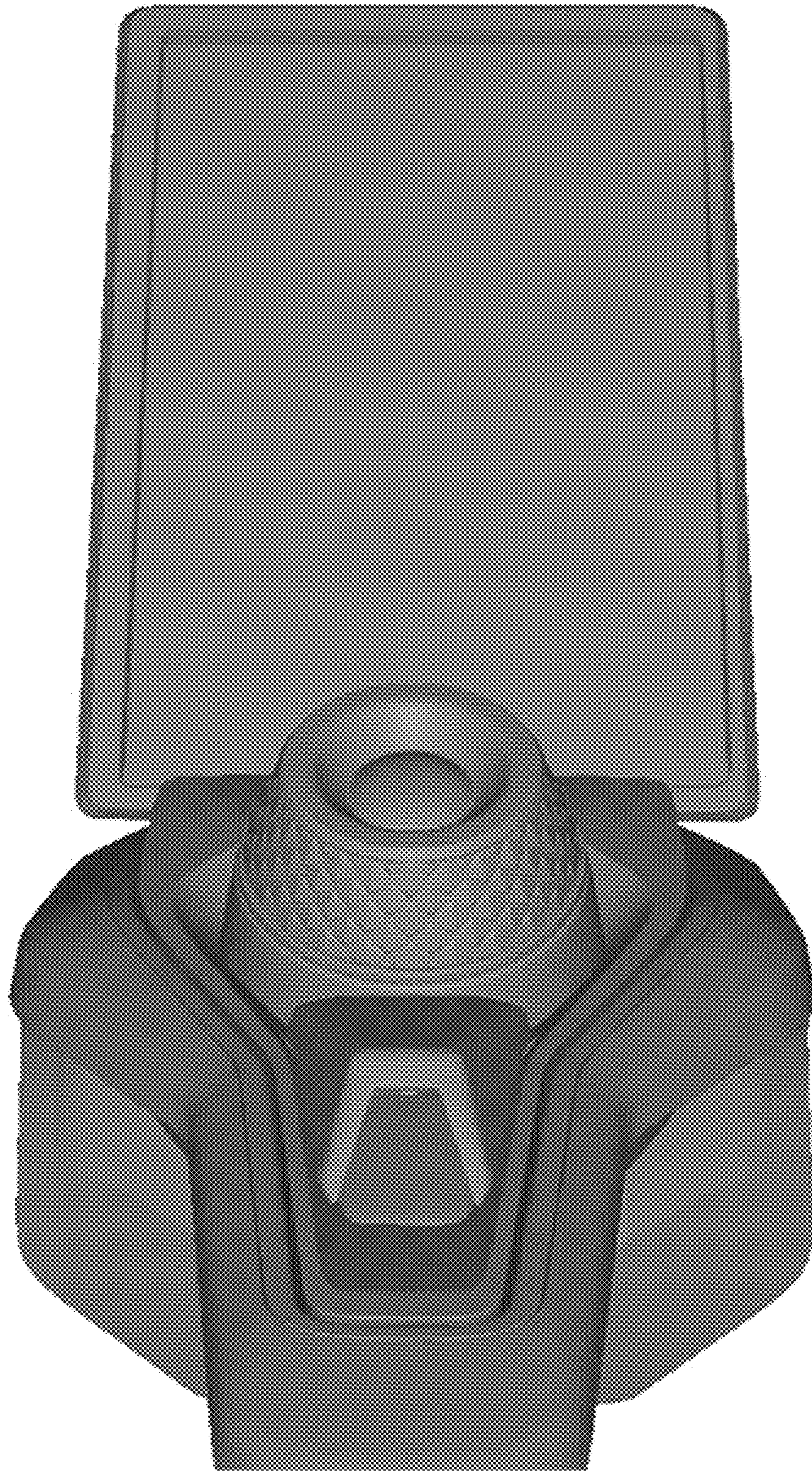


Fig. 1

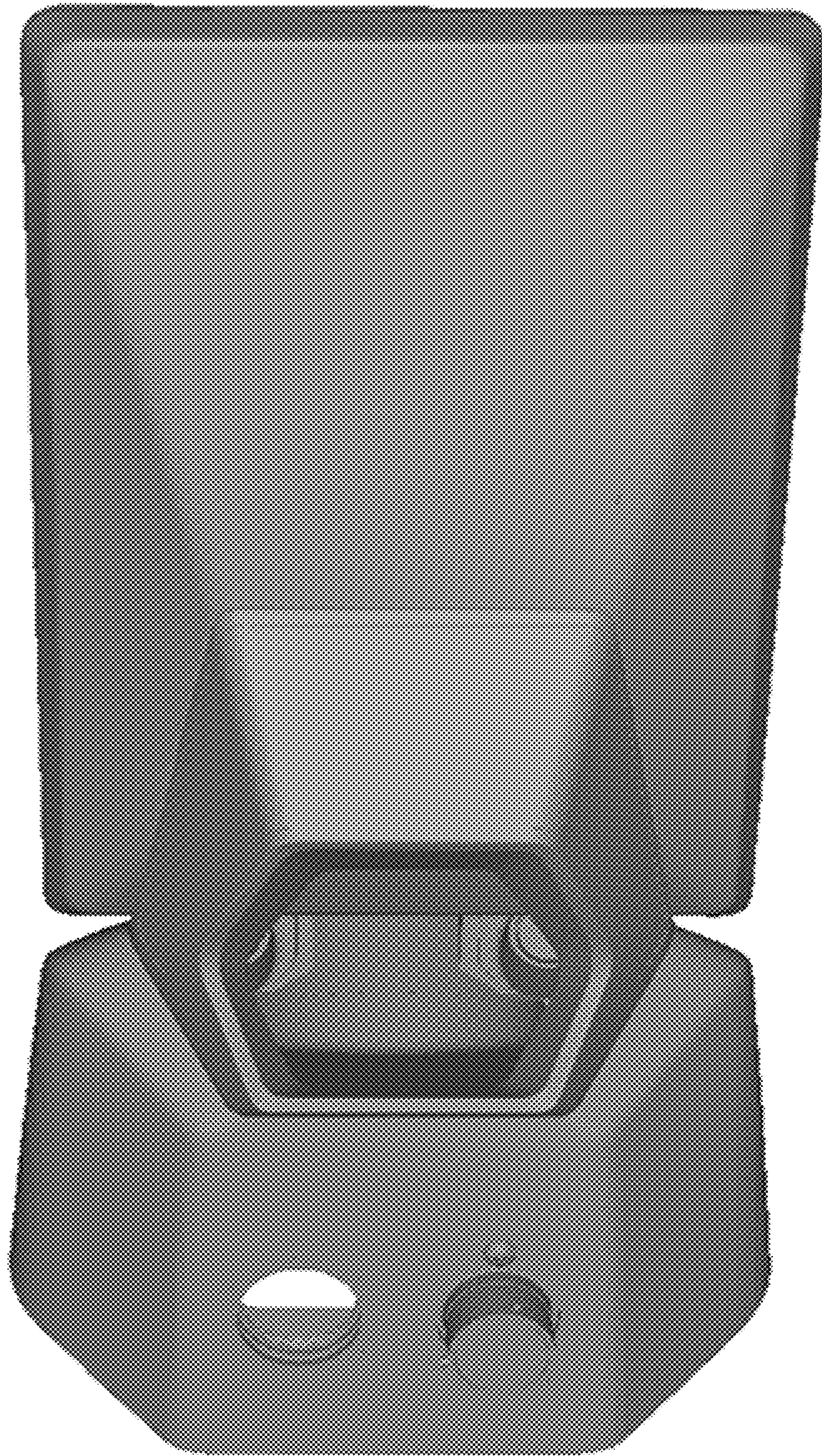


Fig. 2

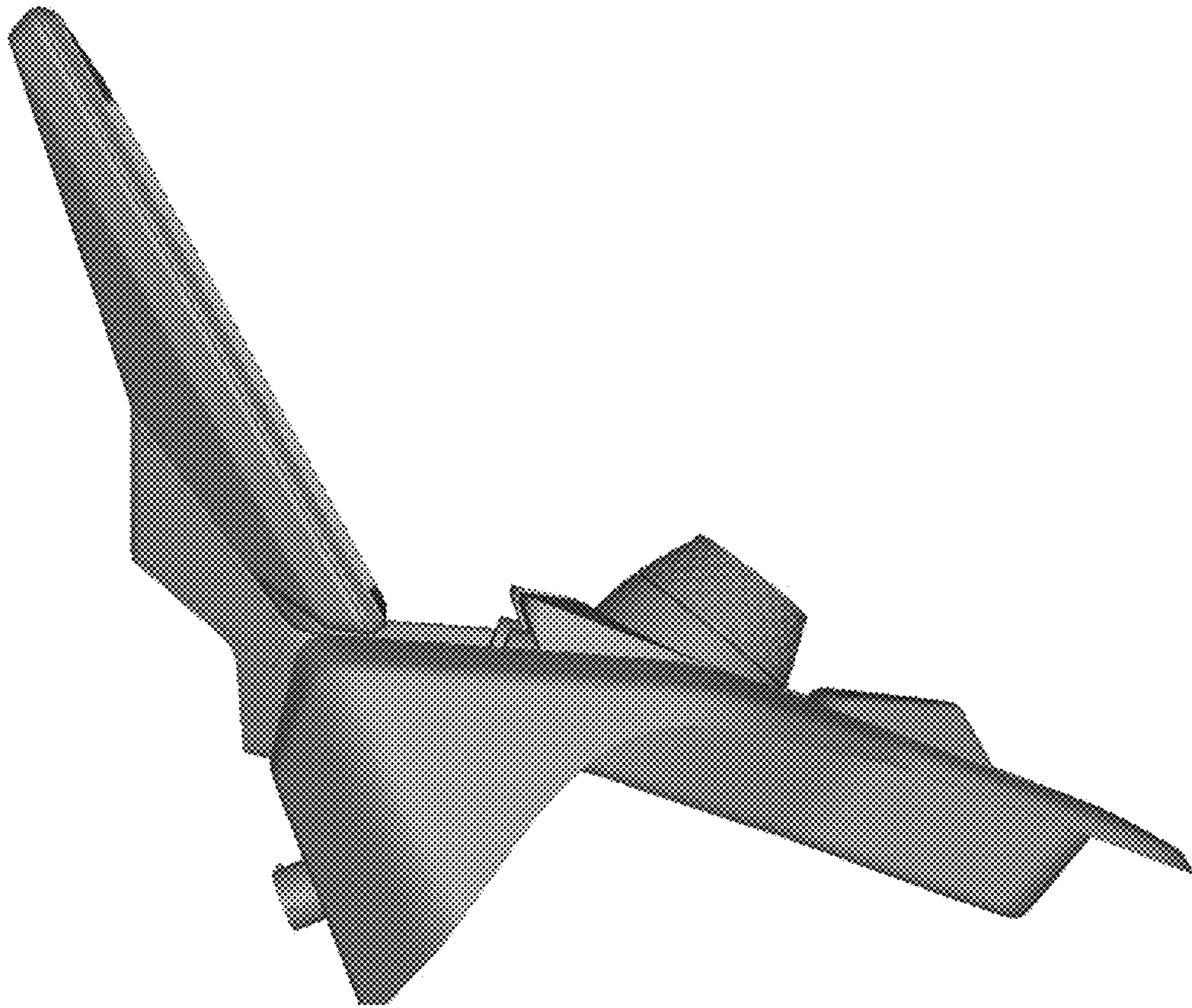


Fig. 3

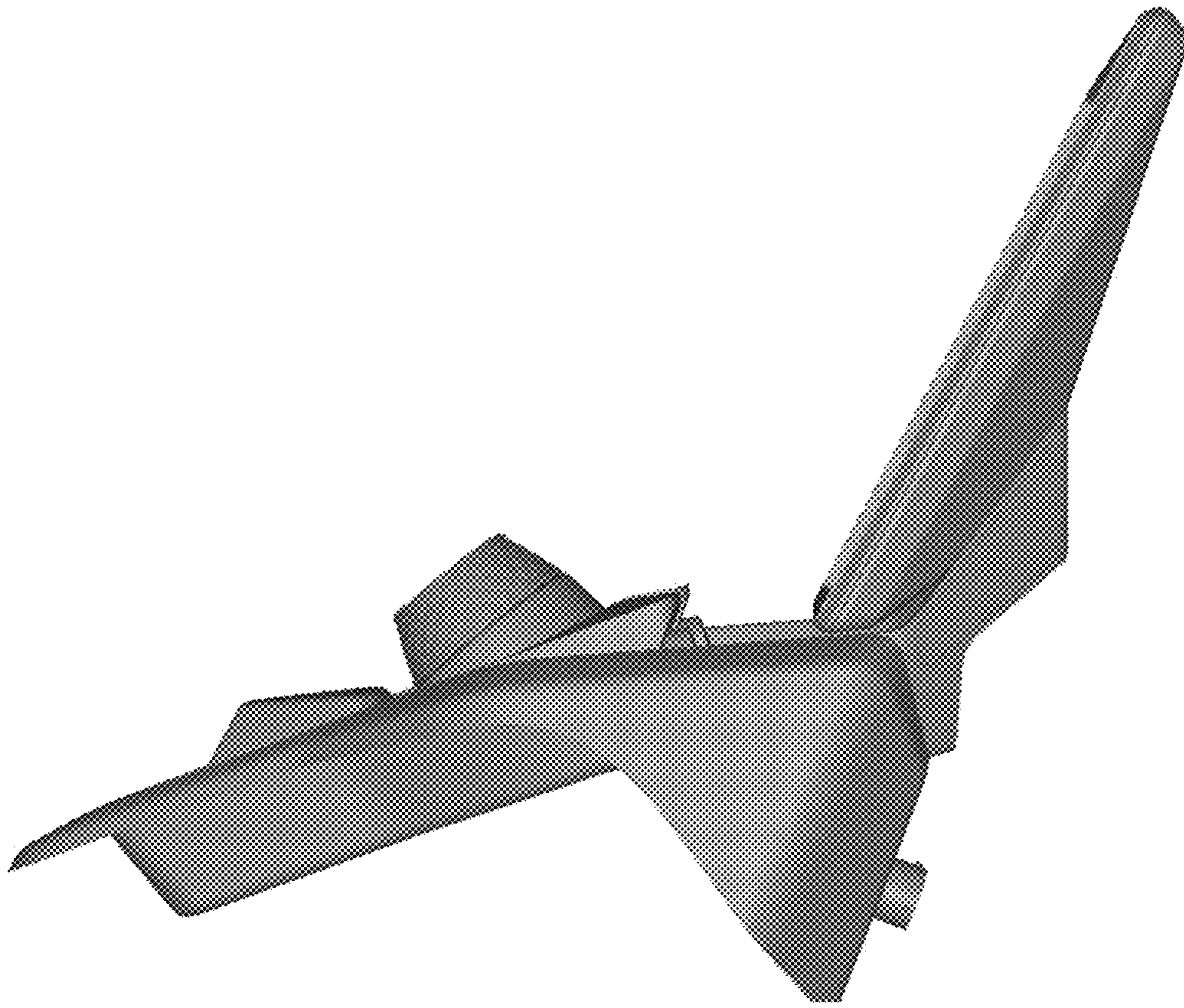


Fig. 4

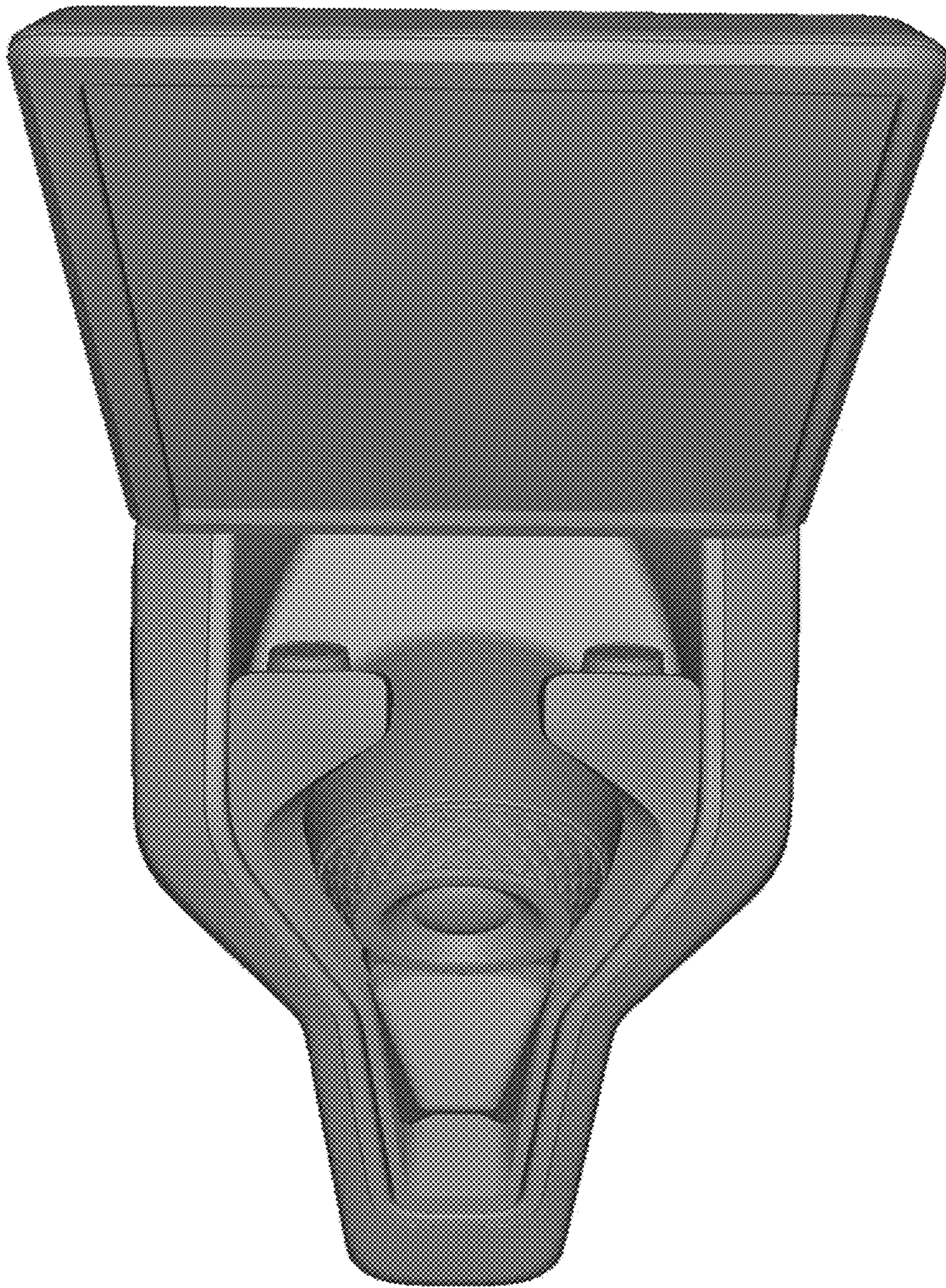


Fig. 5

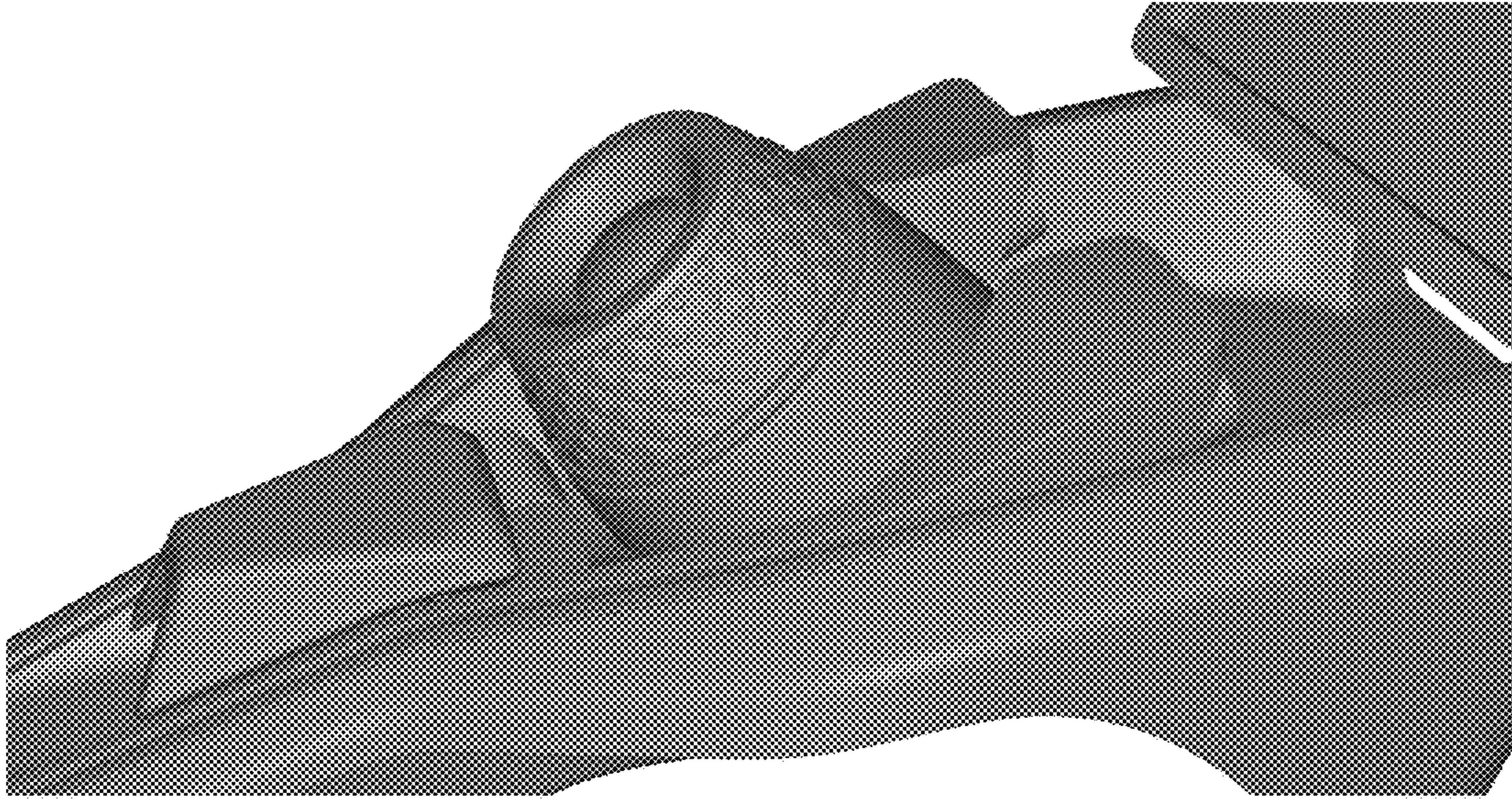


Fig. 6

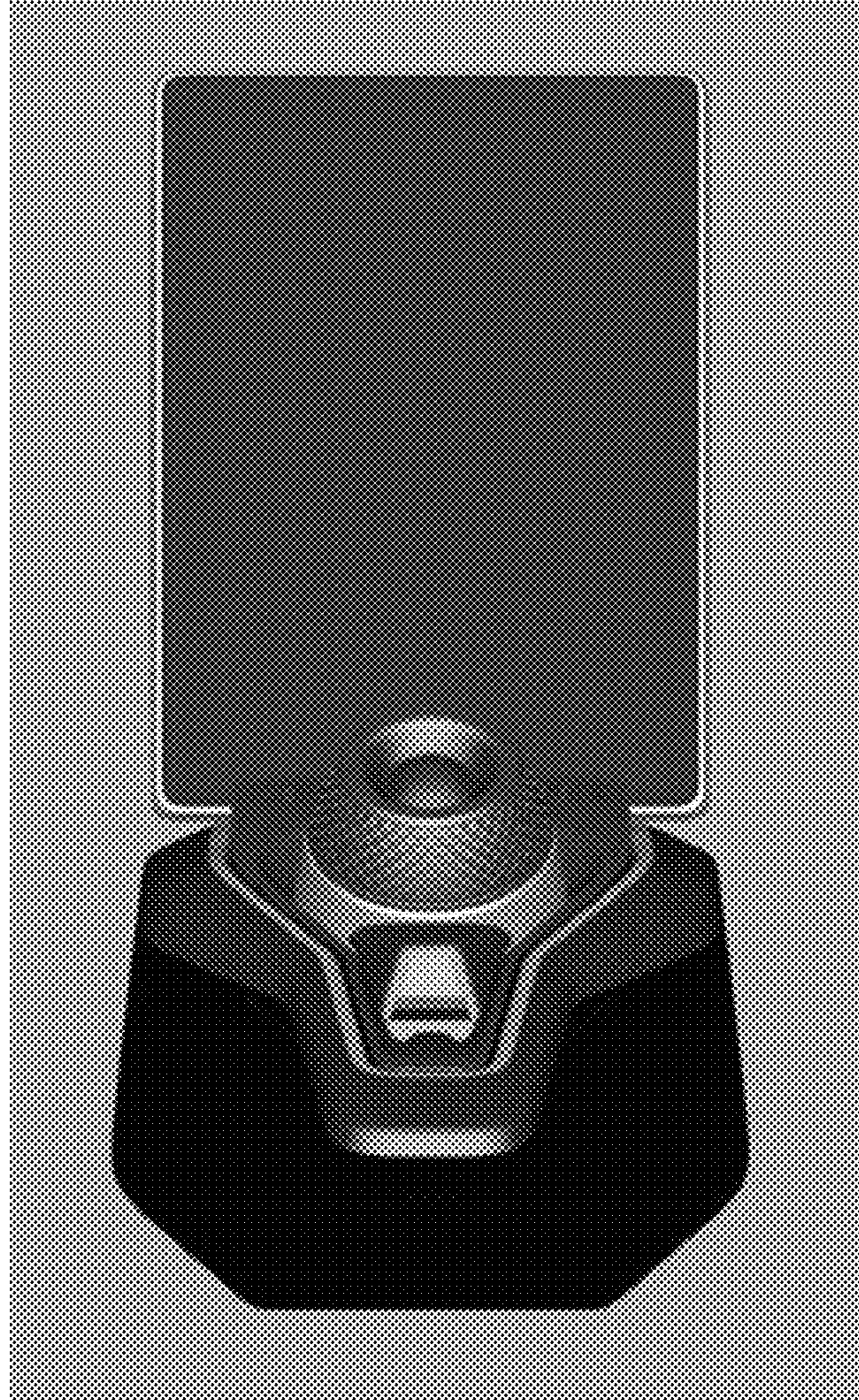


Fig. 7

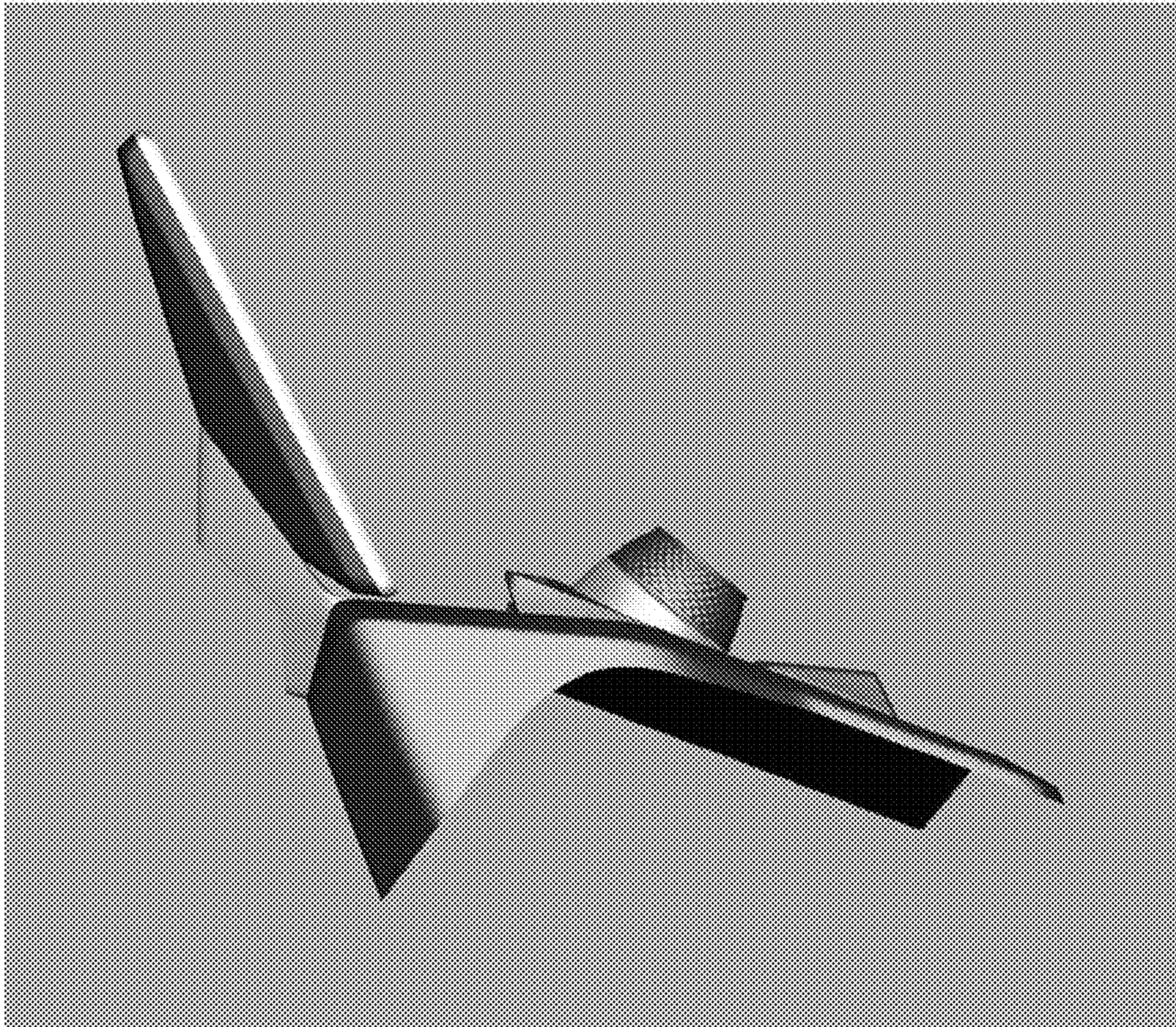


Fig. 8

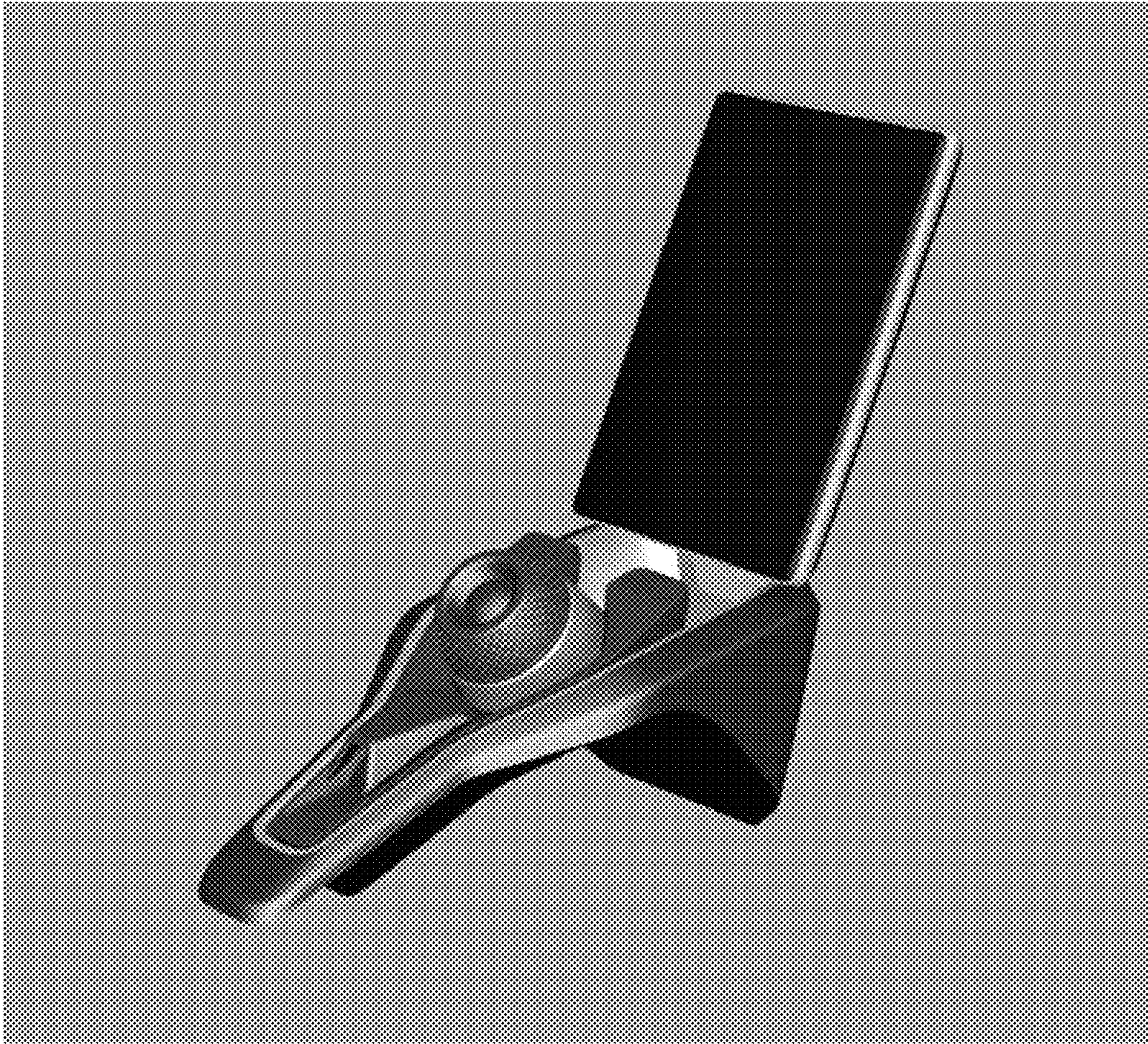


Fig. 9

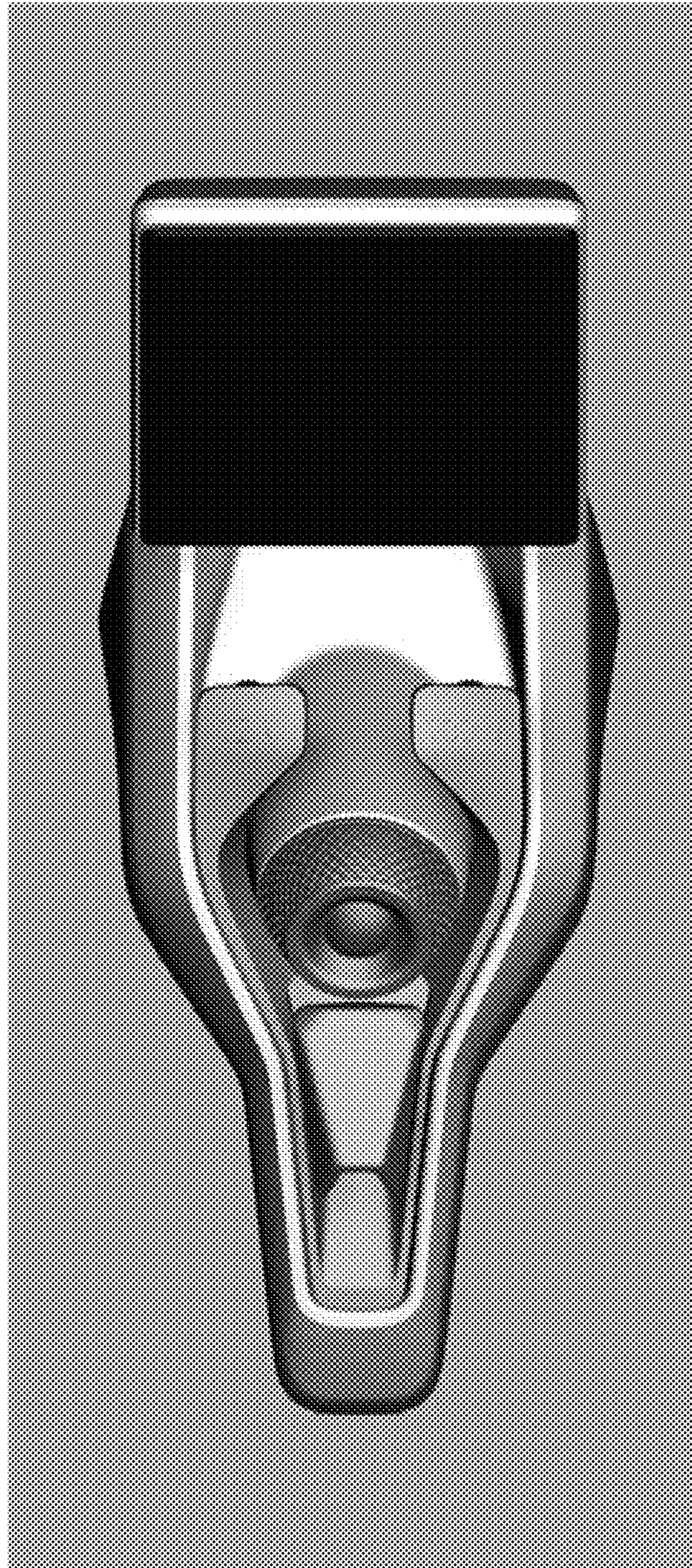


Fig. 10

UNITED STATES PATENT AND TRADEMARK OFFICE
CERTIFICATE OF CORRECTION

PATENT NO. : D825,437 S
APPLICATION NO. : 29/591710
DATED : August 14, 2018
INVENTOR(S) : David Hilton et al.

Page 1 of 1

It is certified that error appears in the above-identified patent and that said Letters Patent is hereby corrected as shown below:

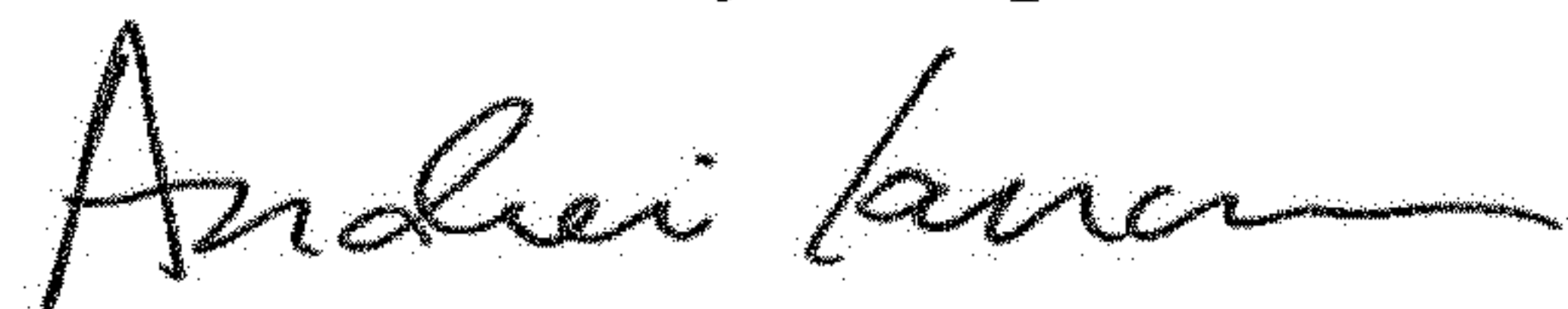
On the Title Page

In ITEM (71):

Please change the Applicant to read as follows:

NIO NEXTEV LIMITED, Hong Kong (HK)

Signed and Sealed this
Thirtieth Day of April, 2019



Andrei Iancu
Director of the United States Patent and Trademark Office