



US00D825436S

(12) **United States Design Patent**
Currier

(10) **Patent No.:** **US D825,436 S**

(45) **Date of Patent:** **** Aug. 14, 2018**

(54) **CONSOLE STORAGE CONTAINER**

(71) Applicant: **TALUS CORPORATION**, Portland, ME (US)

(72) Inventor: **Jason Currier**, Portland, ME (US)

(73) Assignee: **Talus Corporation**, Portland, ME (US)

(**) Term: **15 Years**

(21) Appl. No.: **29/585,361**

(22) Filed: **Nov. 23, 2016**

(51) **LOC (11) Cl.** **12-16**

(52) **U.S. Cl.**
USPC **D12/415**

(58) **Field of Classification Search**
USPC D12/415-420, 400, 191, 423; D6/513, D6/514, 611, 553, 556, 559
CPC ... B60R 11/02; B60R 2011/0005; B60R 7/04; B60R 7/08; B60K 35/00
See application file for complete search history.

(56) **References Cited**

U.S. PATENT DOCUMENTS

D401,214 S * 11/1998 Benavidez D12/416
D412,311 S * 7/1999 Silvershein D12/416
D419,520 S * 1/2000 Bergh D12/416
D430,534 S * 9/2000 Golenz D12/416

D432,075 S * 10/2000 Hassett D12/416
D473,840 S * 4/2003 Sauer D12/416
D479,186 S * 9/2003 Hassett D12/416
D506,434 S * 6/2005 Ling D12/416
D530,983 S * 10/2006 Krieger D7/605
D672,305 S * 12/2012 Bone D12/406
D780,666 S * 3/2017 Currier D12/415

* cited by examiner

Primary Examiner — Katrina A Betton

(74) *Attorney, Agent, or Firm* — Tredecim LLC; Sean L. Sweeney; Taylor A. Noonan

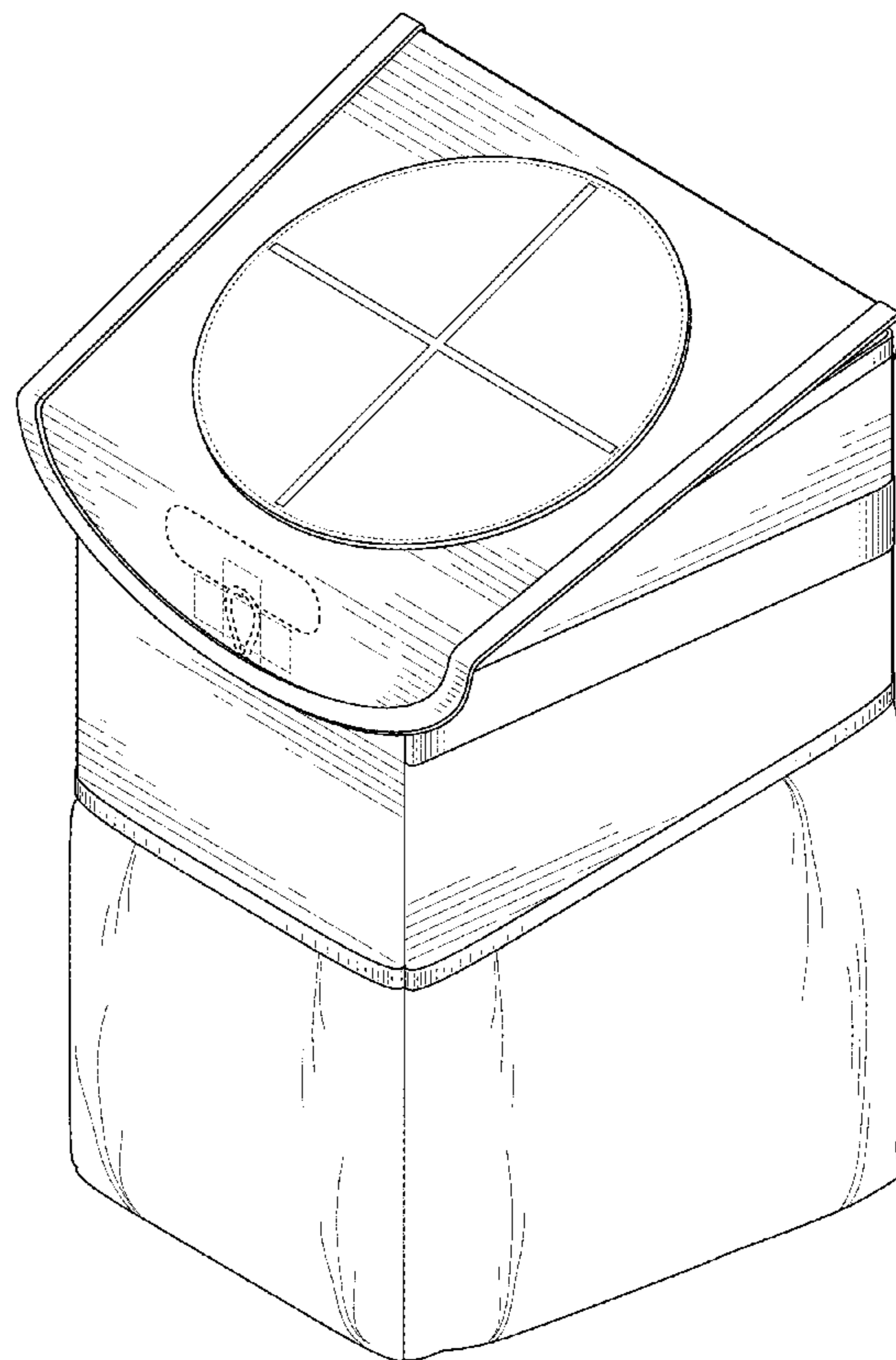
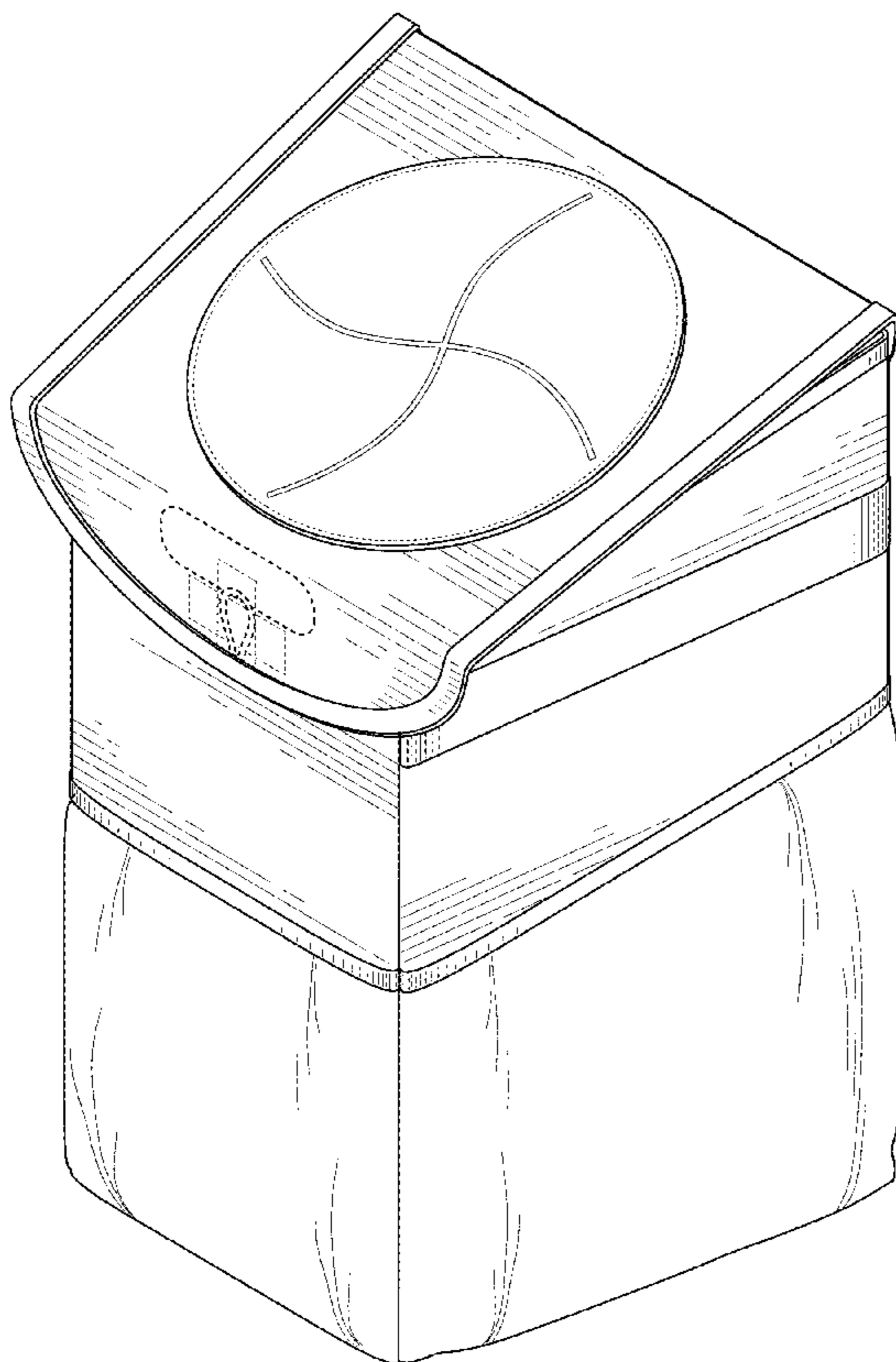
(57) **CLAIM**

The ornamental design for a console storage container, as shown and described.

DESCRIPTION

FIG. 1 is a front view of a console storage container showing my new design;
FIG. 2 is a front view thereof;
FIG. 3 is a rear view thereof;
FIG. 4 is a left side view thereof, the right side being a mirror image;
FIG. 5 is a top view thereof;
FIG. 6 is a top view thereof;
FIG. 7 is a bottom view thereof;
FIG. 8 is a perspective front view thereof; and,
FIG. 9 is a perspective front view thereof.
In the drawings, the broken lines depict portions of the article that form no part of the claimed design.

1 Claim, 9 Drawing Sheets



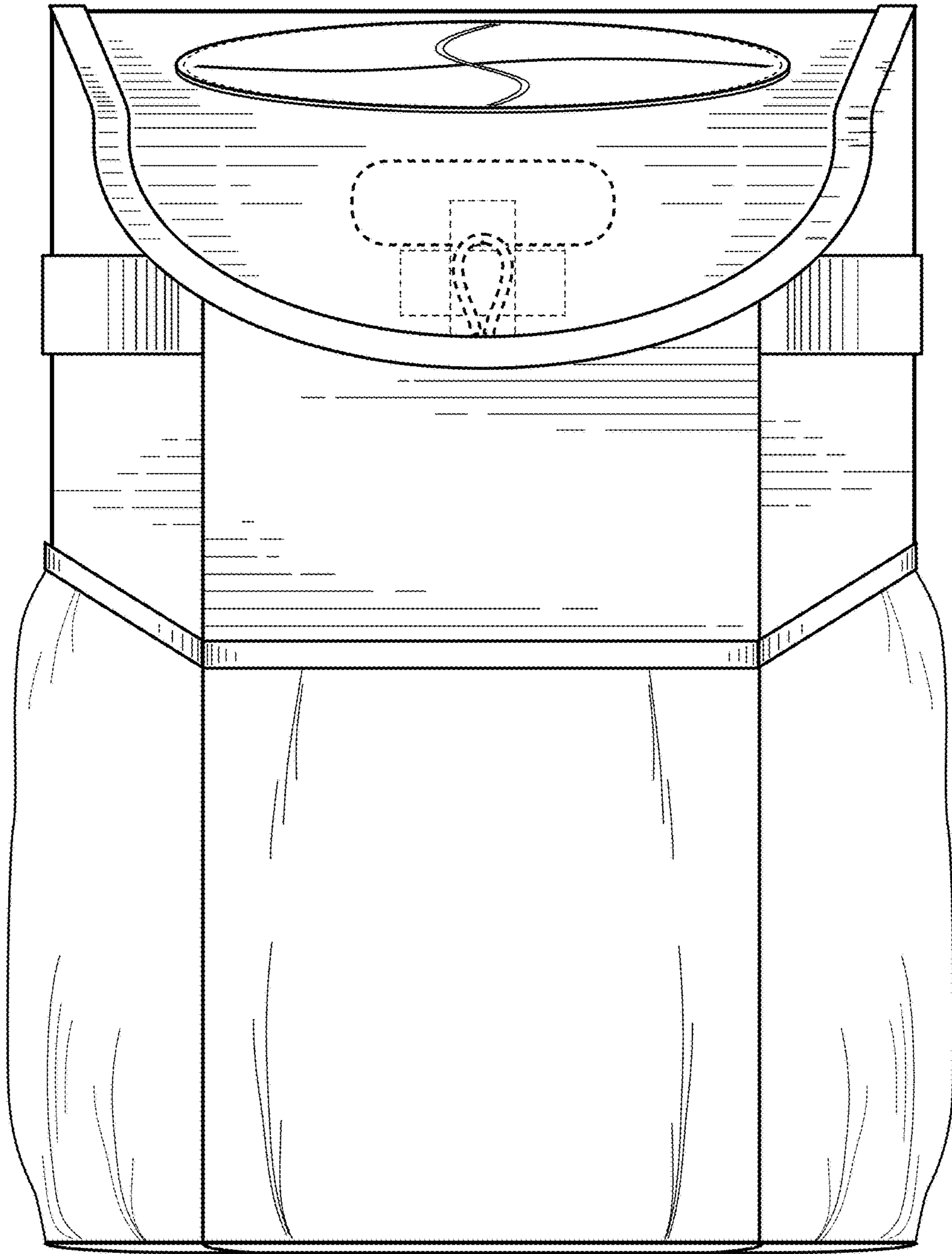


FIG. 1

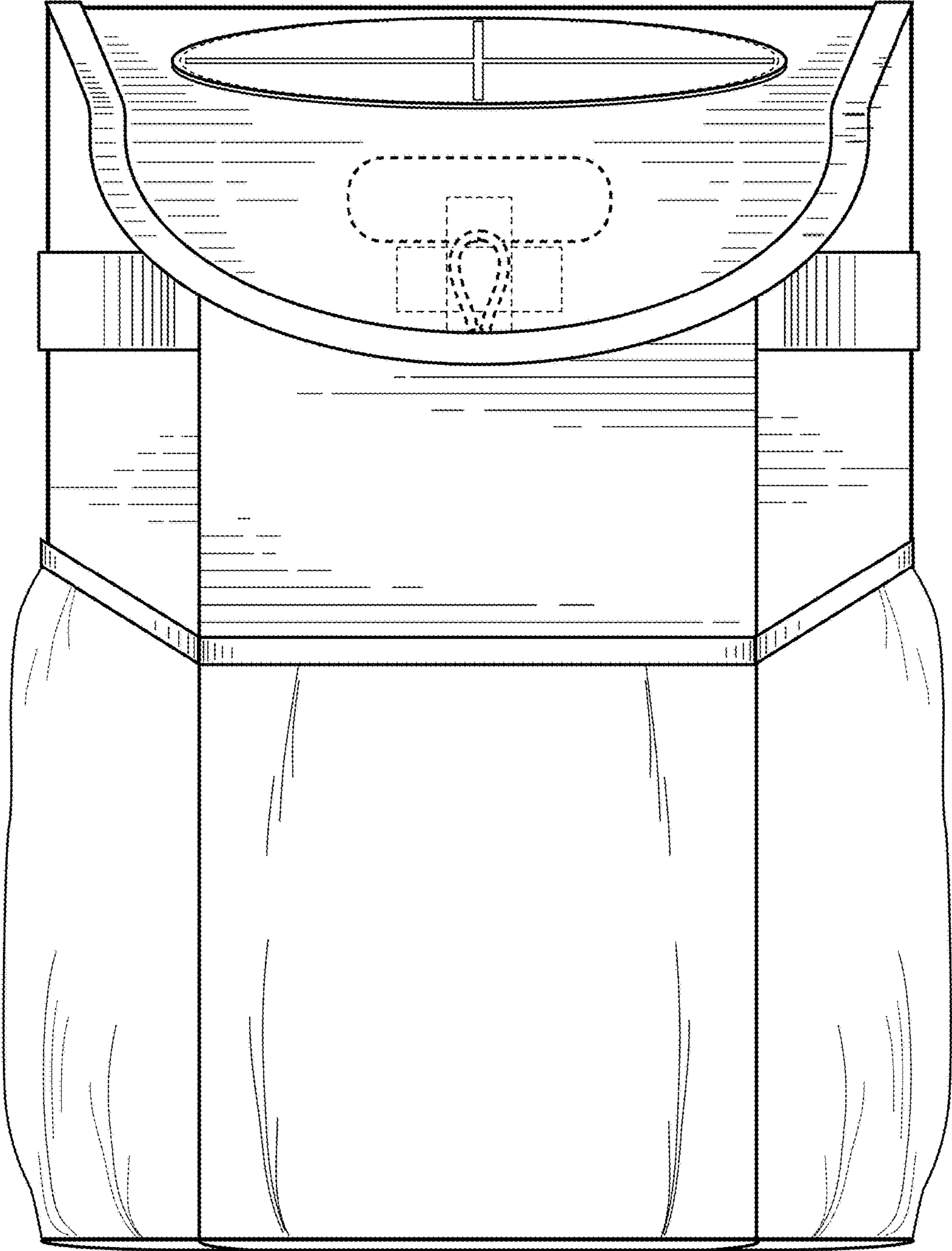


FIG. 2

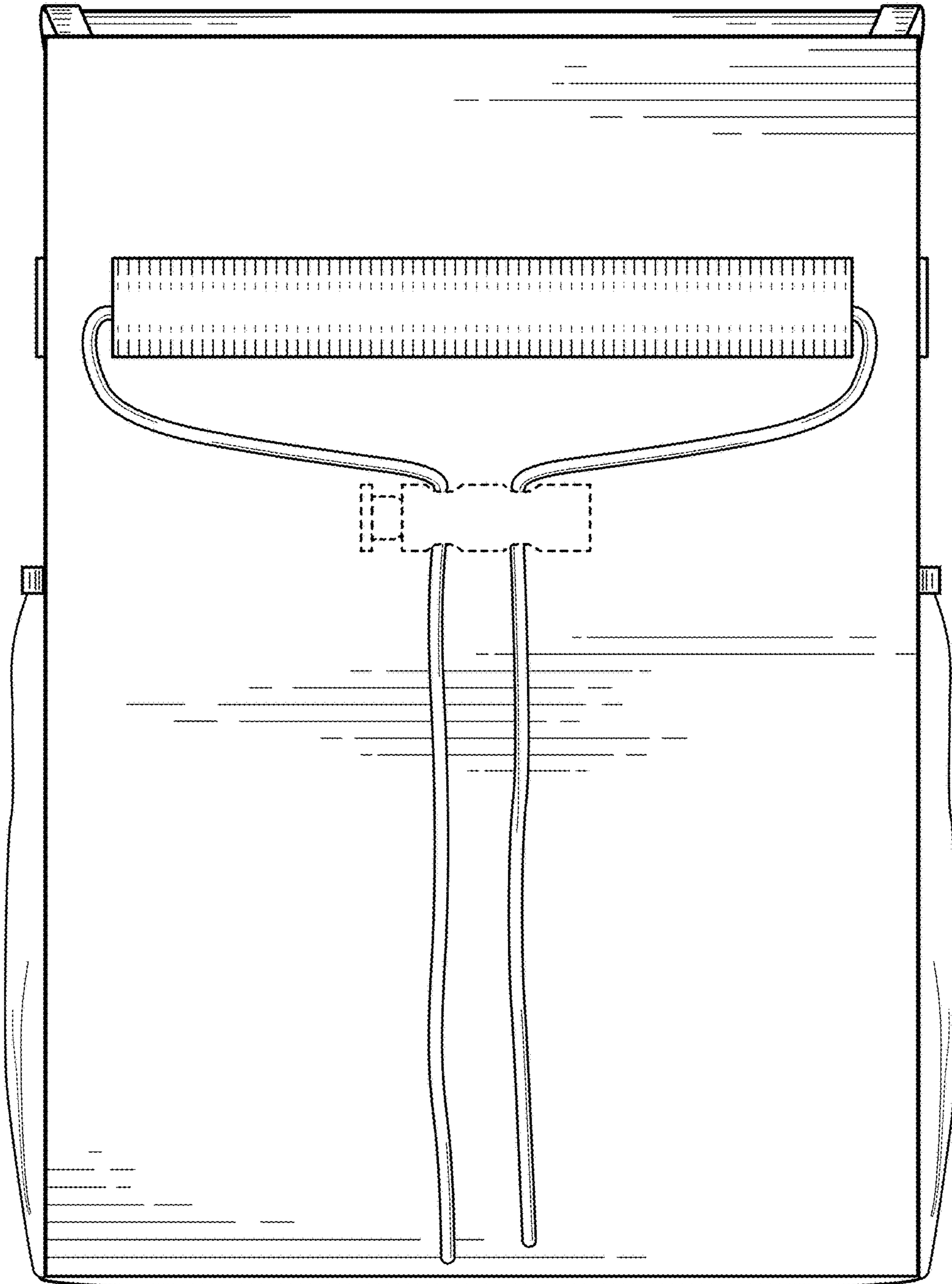


FIG. 3

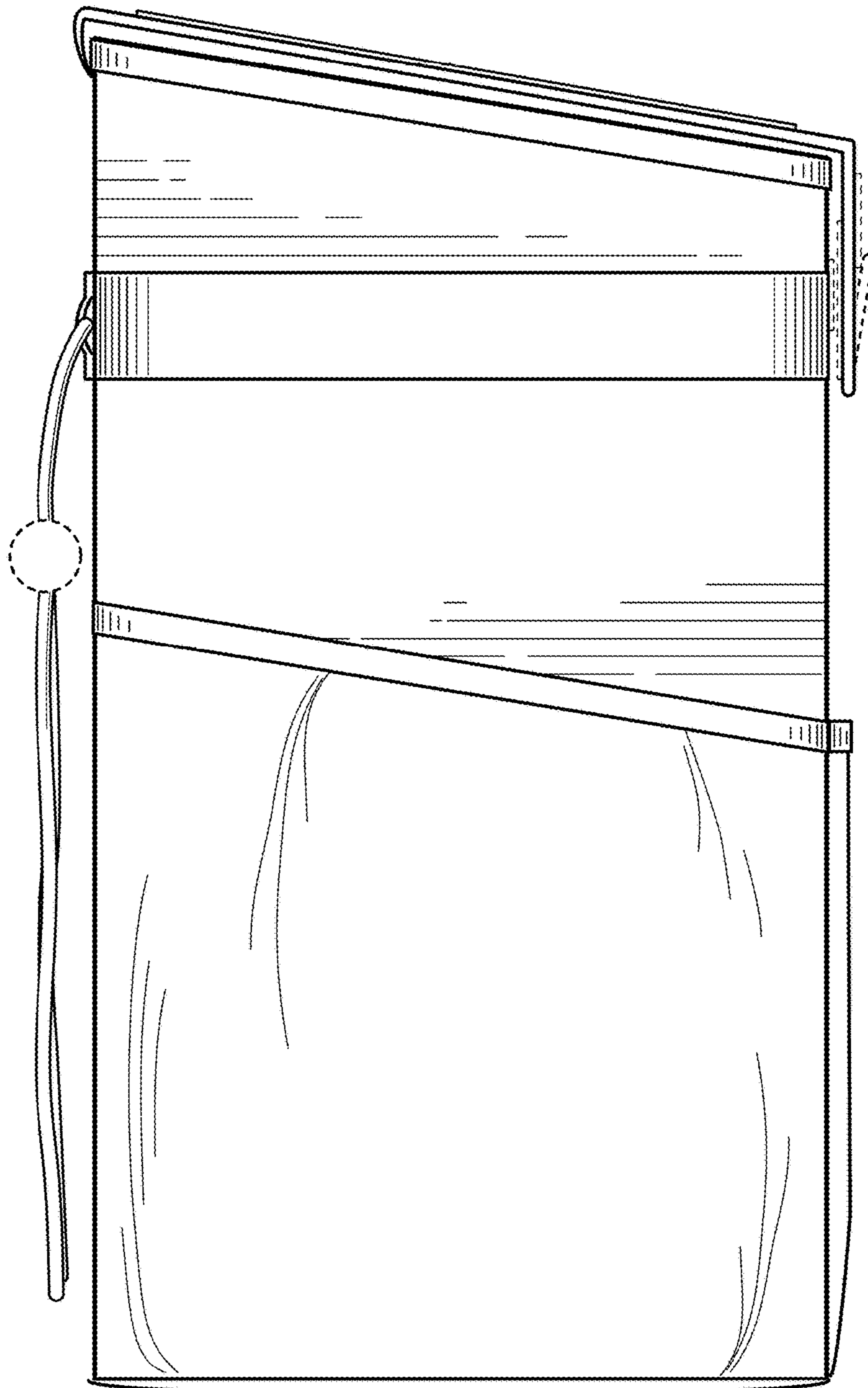


FIG. 4

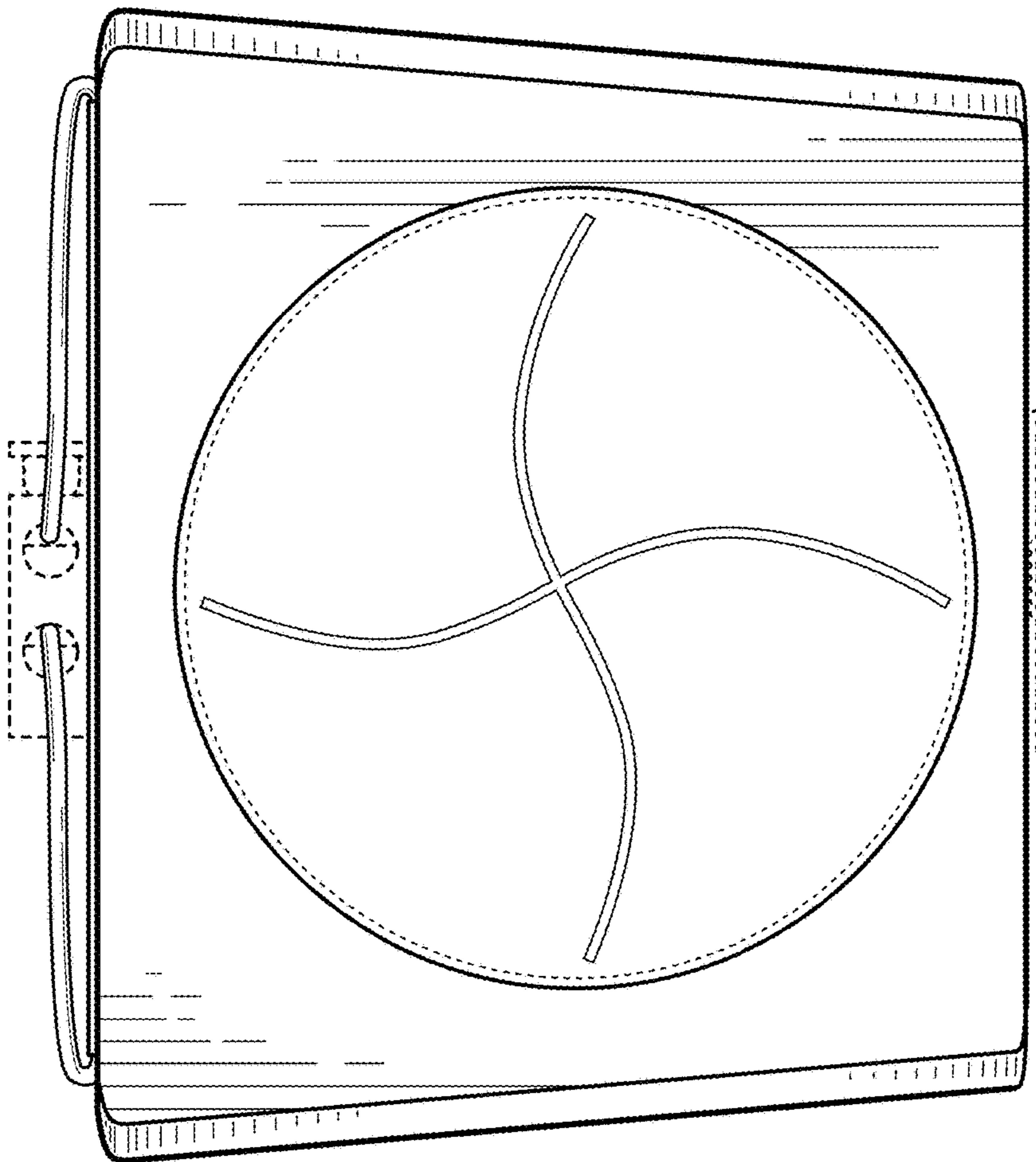


FIG. 5

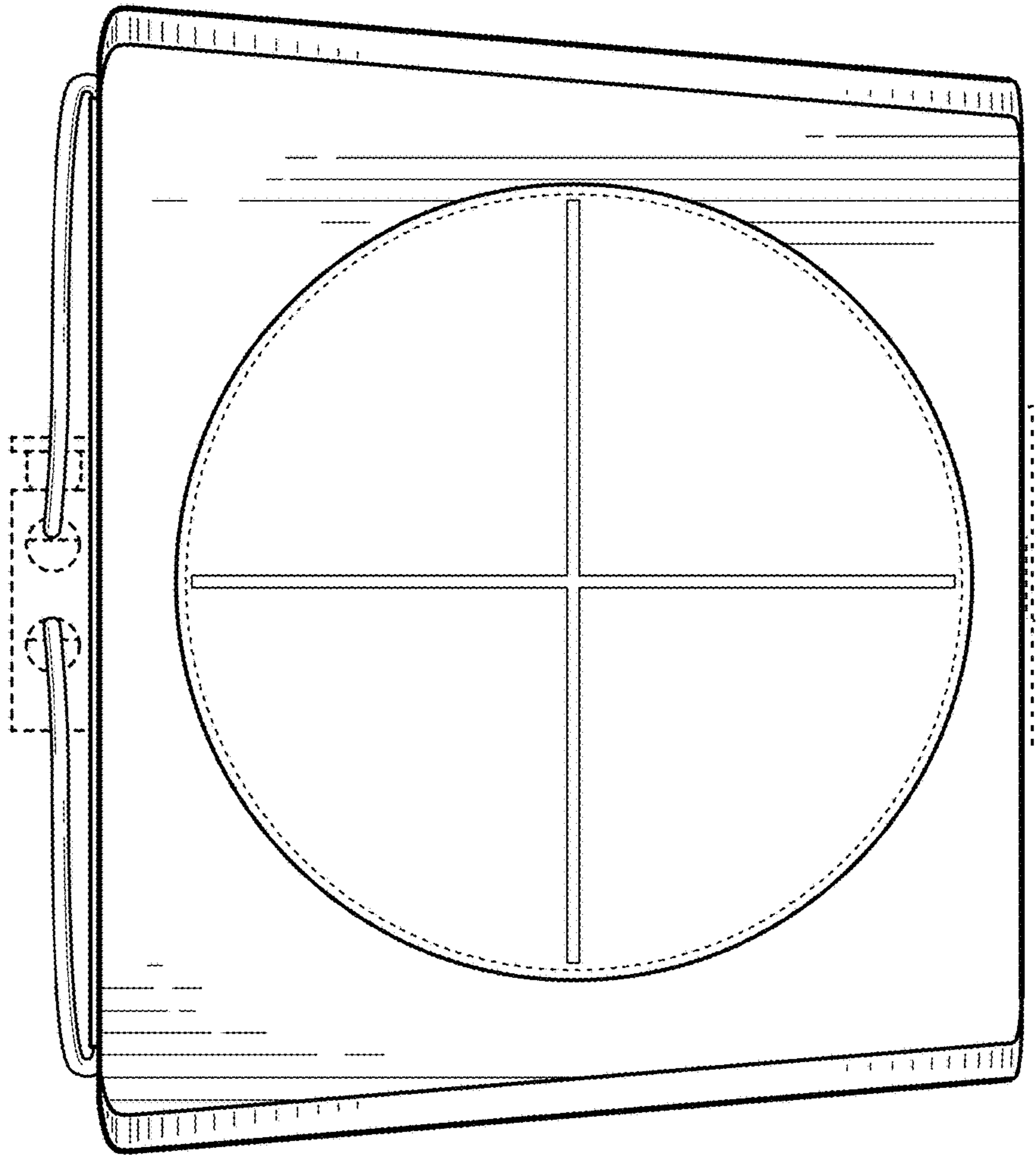


FIG. 6

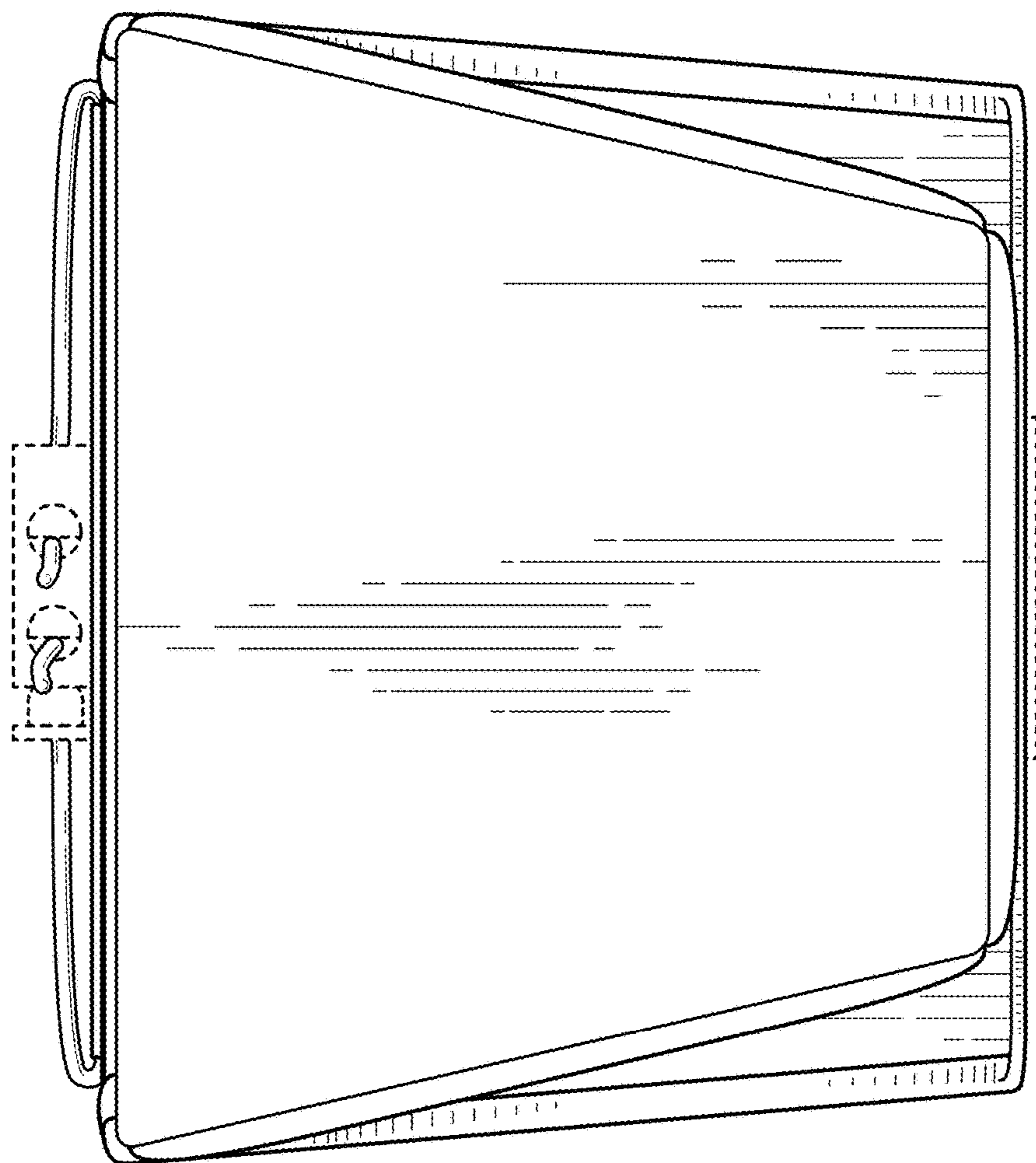


FIG. 7

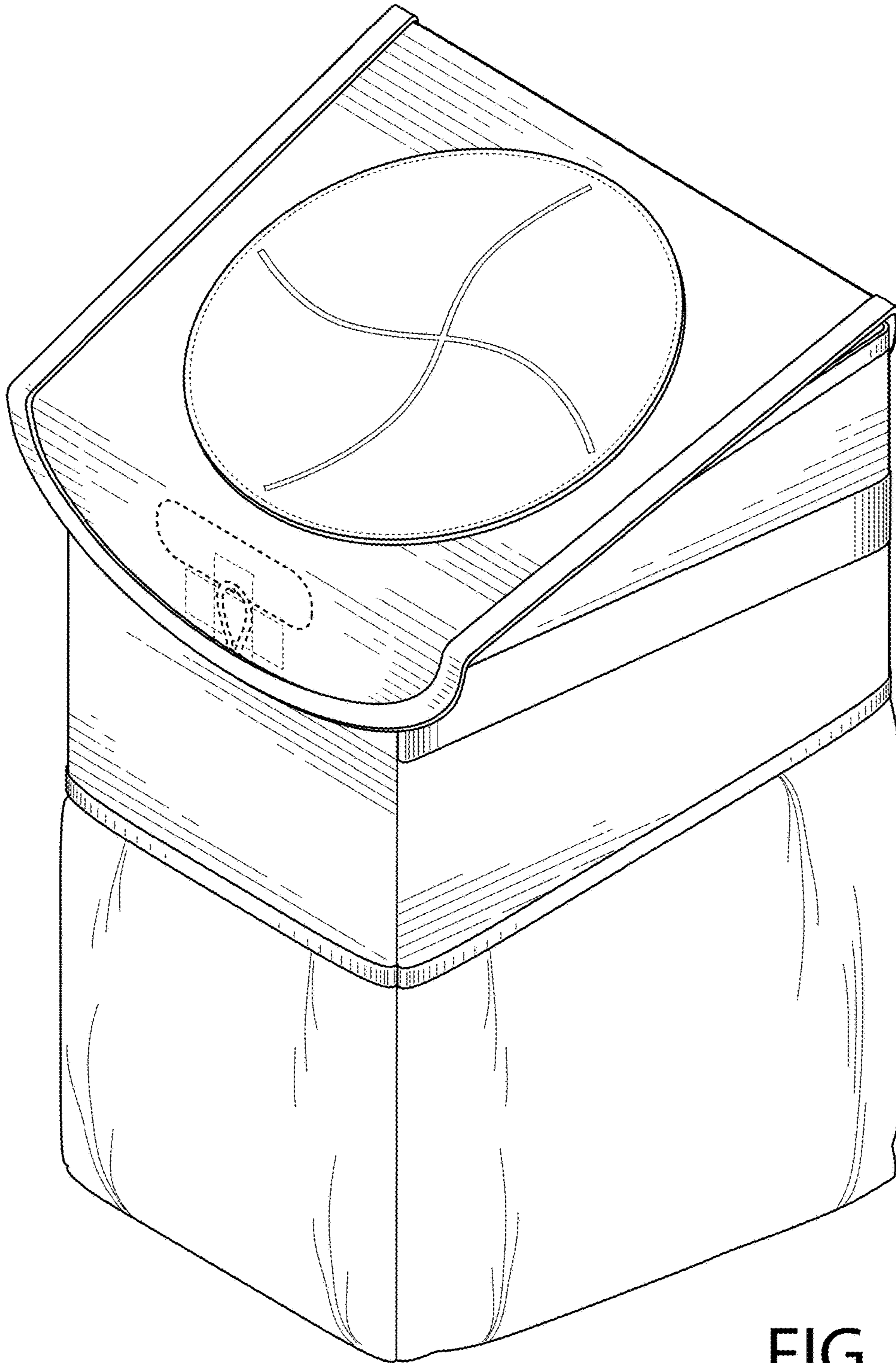


FIG. 8

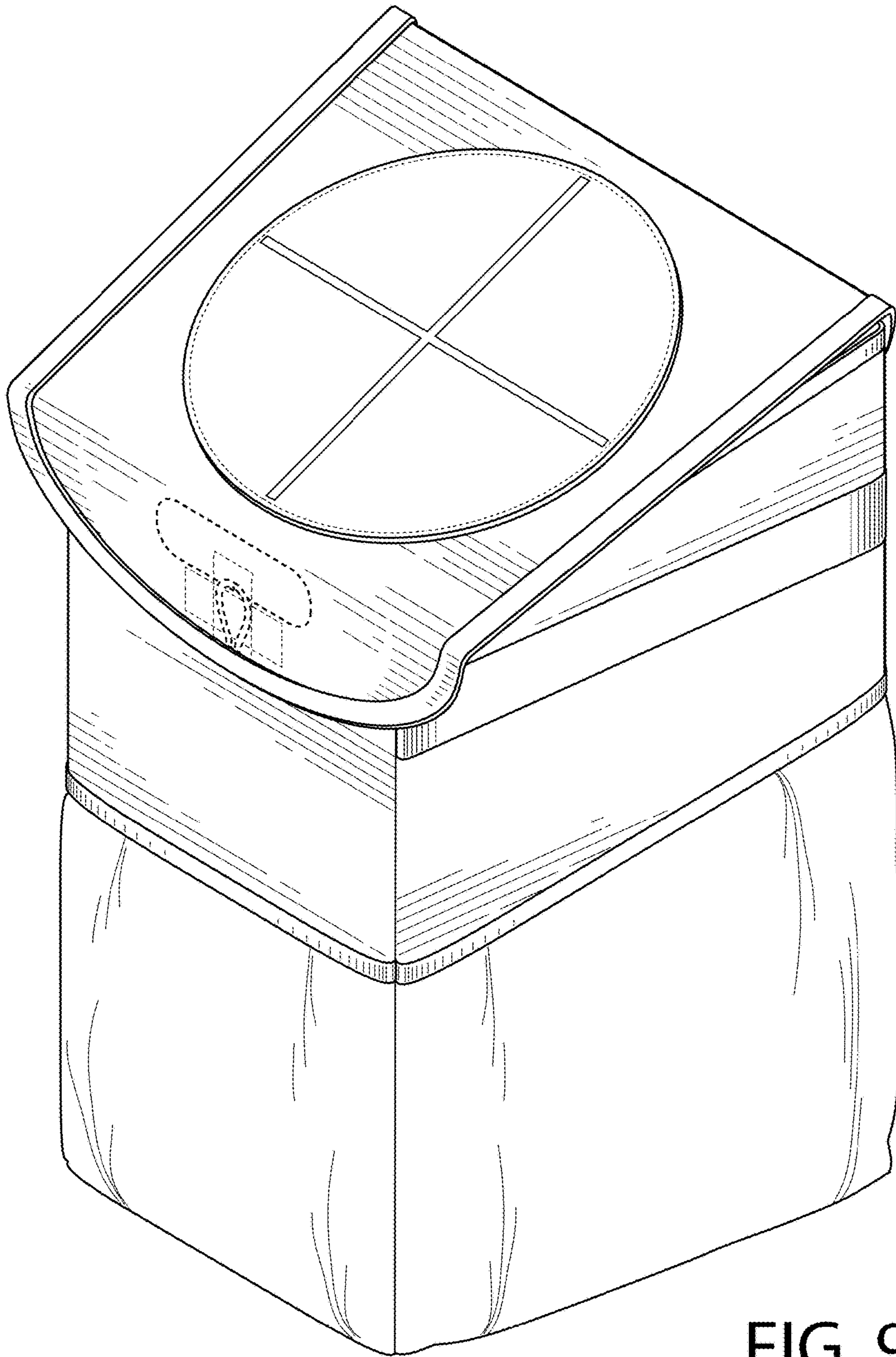


FIG. 9