



US00D825431S

(12) **United States Design Patent**
Trim

(10) **Patent No.:** **US D825,431 S**

(45) **Date of Patent:** **** Aug. 14, 2018**

(54) **WHEEL**

(71) Applicant: **Jaguar Land Rover Limited**, Whitley,
Coventry (GB)

(72) Inventor: **James Trim**, Coventry (GB)

(73) Assignee: **Jaguar Land Rover Limited**, Whitley,
Coventry (GB)

(**) Term: **15 Years**

(21) Appl. No.: **29/604,892**

(22) Filed: **May 22, 2017**

(30) **Foreign Application Priority Data**

Nov. 30, 2016 (EM) 00342891-0007

(51) **LOC (11) Cl.** **12-16**

(52) **U.S. Cl.**
USPC **D12/211**

(58) **Field of Classification Search**

USPC D12/204, 205, 206, 207, 208, 209, 210,
D12/211, 212, 213

CPC B60B 7/00; B60B 7/01; B60B 7/02; B60B
7/04; B60B 7/06; B60B 3/02; B60B 3/04;
B60B 3/06; B60B 3/10; B60B 1/00;
B60B 1/08; B60B 1/10; B60B 1/12

See application file for complete search history.

(56) **References Cited**

U.S. PATENT DOCUMENTS

D649,102 S * 11/2011 Gallert D12/211
D649,103 S * 11/2011 Gallert D12/211

D689,421 S * 9/2013 Wachter D12/211
D749,029 S * 2/2016 Wheel D12/211
D754,052 S * 4/2016 Juergens D12/211
D754,581 S * 4/2016 Gallert D12/209
D755,690 S * 5/2016 von Tardy-Tuch D12/209
D764,367 S * 8/2016 Gallert D12/209
D793,939 S * 8/2017 Hans D12/211
D808,883 S * 1/2018 Chung D12/211

OTHER PUBLICATIONS

<http://www.coventrywheels.com/custom-jaguar-wheels/>—Re-
trieved Mar. 12, 2018.*

<http://www.redbournwheels.com/land-rover-wheels/>—Retrieved
Mar. 12, 2018.*

* cited by examiner

Primary Examiner — Manpreet S Matharu

Assistant Examiner — Mojtaba Tehrani

(74) *Attorney, Agent, or Firm* — Wood Herron & Evans
LLP

(57) **CLAIM**

The ornamental design for a wheel, as shown and described.

DESCRIPTION

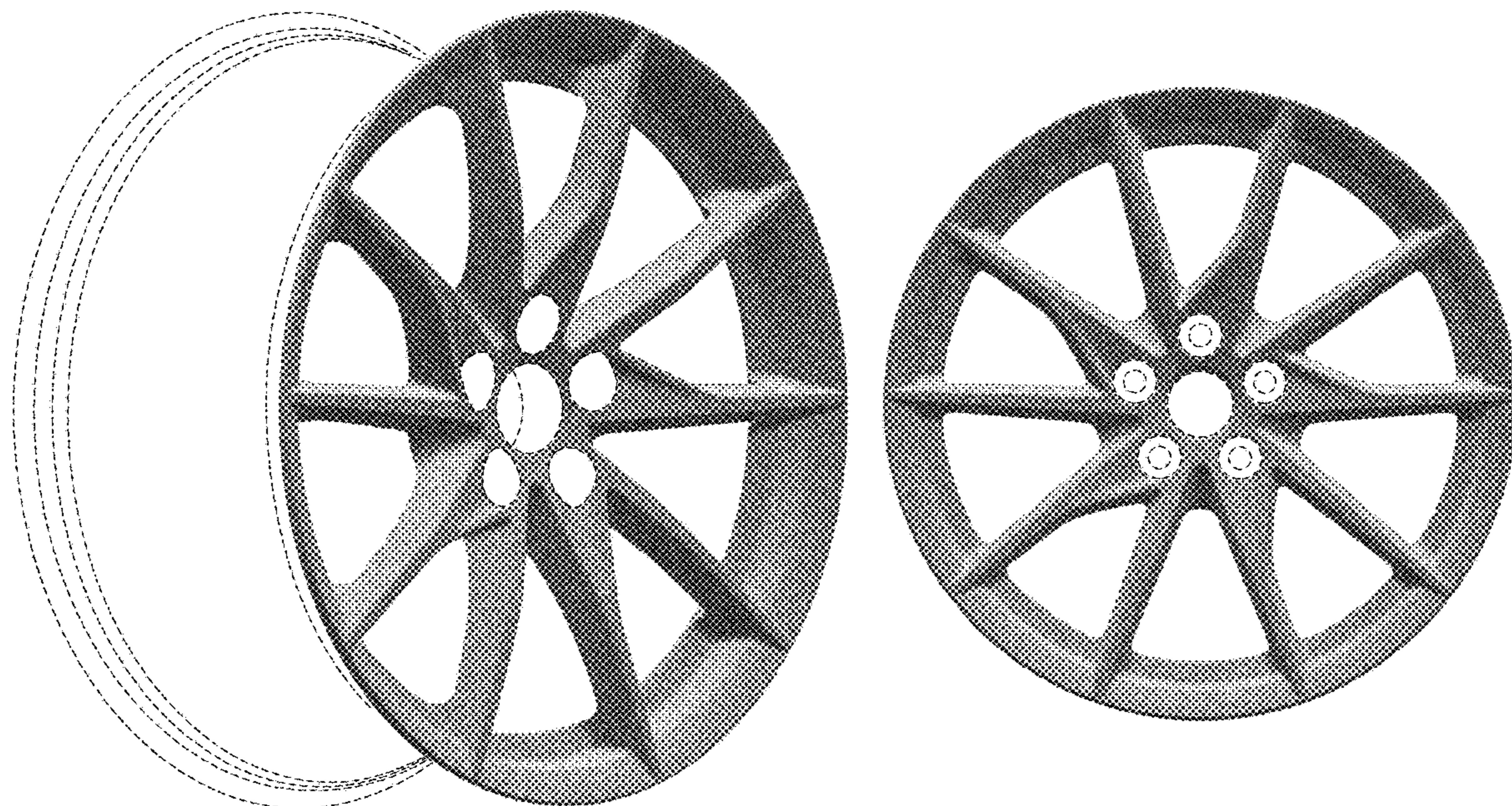
FIG. 1 is a front left perspective view of a wheel, showing
my new design;

FIG. 2 is a front view thereof; and,

FIG. 3 is a left side view thereof, the right side being a mirror
image thereof.

The broken line in the figure drawings represents unclaimed
environment only and forms no part of the claimed design.

1 Claim, 2 Drawing Sheets



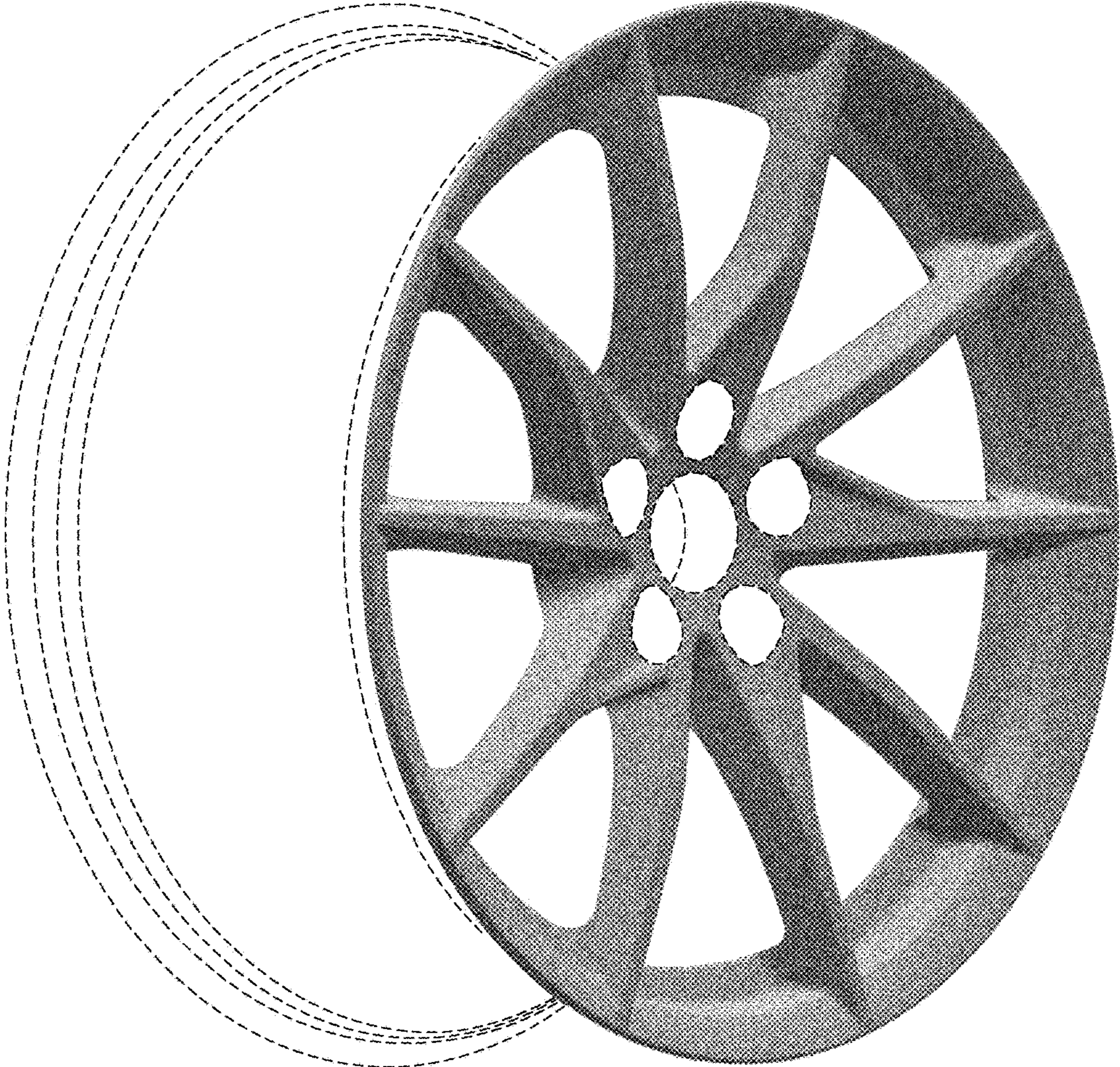


FIG. 1

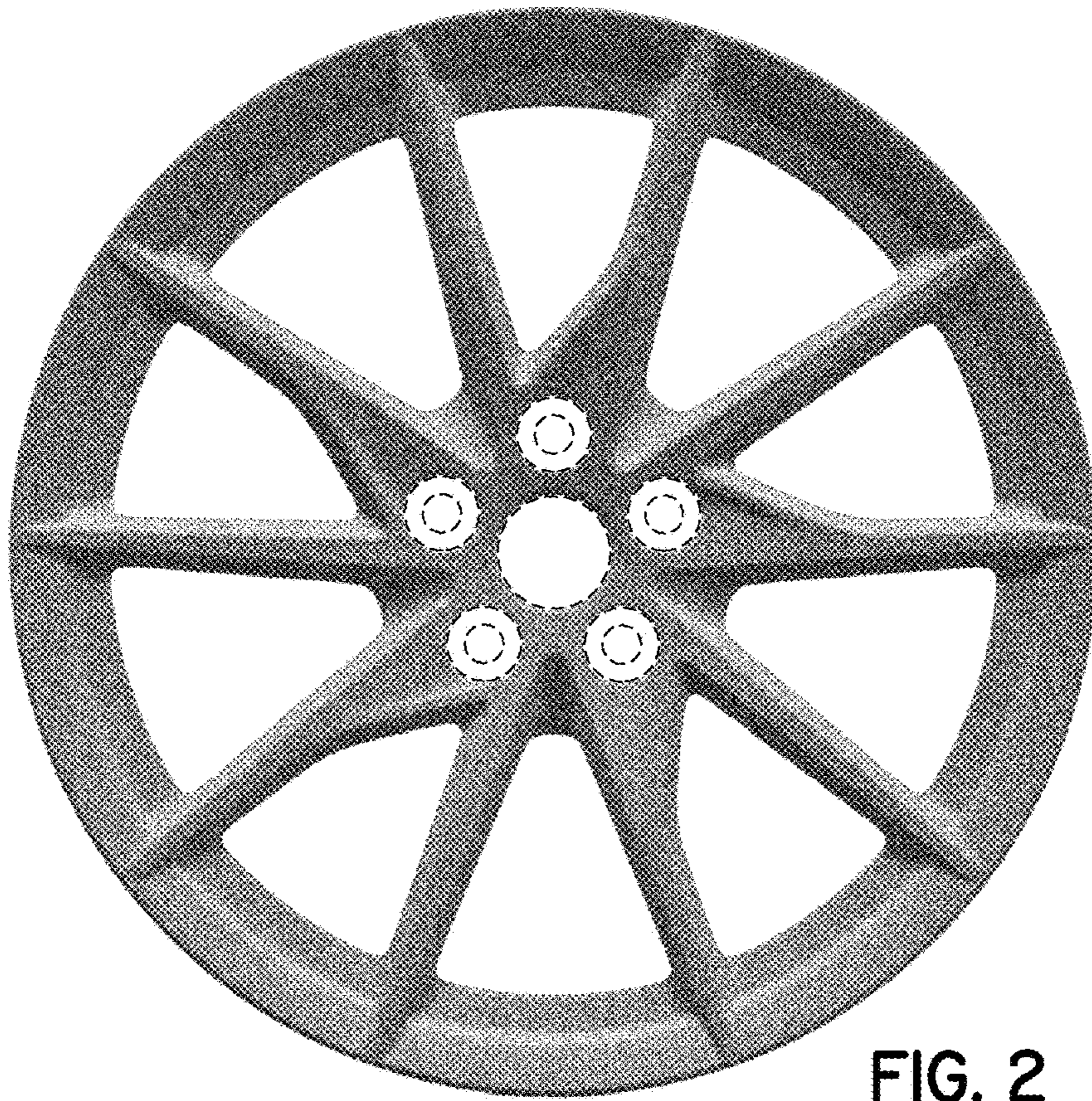


FIG. 2

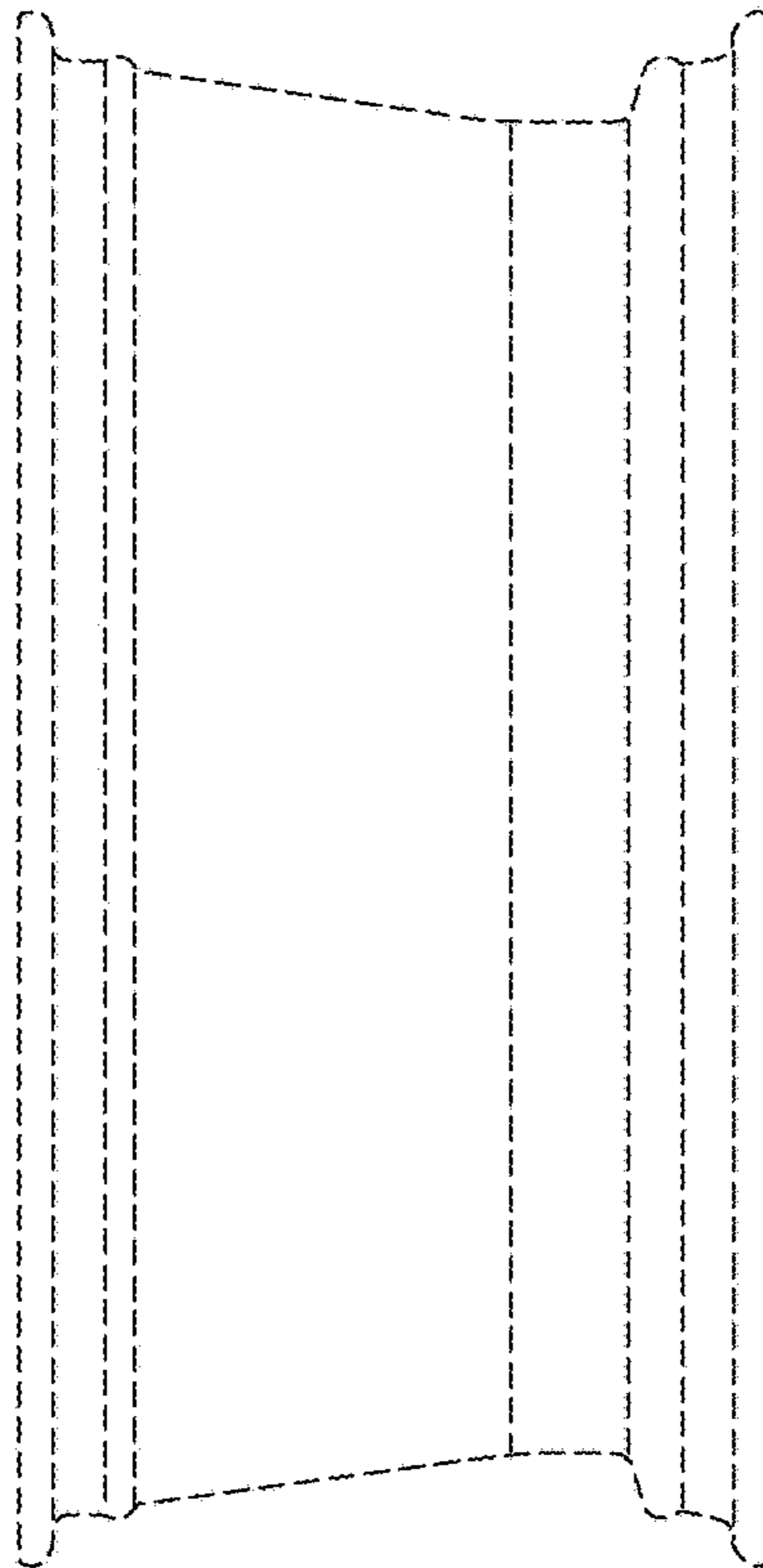


FIG. 3