



US00D825425S

(12) **United States Design Patent**  
**Brundle**

(10) **Patent No.:** **US D825,425 S**

(45) **Date of Patent:** **\*\* Aug. 14, 2018**

(54) **WHEEL**

(71) Applicant: **Jaguar Land Rover Limited**, Whitley,  
Coventry (GB)

(72) Inventor: **Charlie Brundle**, Coventry (GB)

(73) Assignee: **Jaguar Land Rover Limited**, Whitley,  
Coventry (GB)

(\*\*) Term: **15 Years**

(21) Appl. No.: **29/604,902**

(22) Filed: **May 22, 2017**

(30) **Foreign Application Priority Data**

Nov. 30, 2016 (EM) ..... 003492891-0009  
Nov. 30, 2016 (EM) ..... 003492891-0010

(51) **LOC (11) Cl.** ..... **12-16**

(52) **U.S. Cl.**  
USPC ..... **D12/209**

(58) **Field of Classification Search**  
USPC ..... D12/204, 205, 206, 207, 208, 209, 210,  
D12/211, 212, 213  
CPC .... B60B 7/00; B60B 7/01; B60B 7/02; B60B  
7/04; B60B 7/06; B60B 3/02; B60B 3/04;  
B60B 3/06; B60B 3/10; B60B 1/00;  
B60B 1/08; B60B 1/10; B60B 1/12  
See application file for complete search history.

(56) **References Cited**

**U.S. PATENT DOCUMENTS**

D444,284 S \* 6/2001 Konkle ..... D12/209  
D560,585 S \* 1/2008 Blasi ..... D12/209  
D612,788 S \* 3/2010 Junker ..... D12/209  
D614,558 S \* 4/2010 Luciani ..... D12/209  
D617,712 S \* 6/2010 Juergens ..... D12/209  
D626,052 S \* 10/2010 Majdandzic ..... D12/209  
D656,443 S \* 3/2012 Fetherston ..... D12/209

D728,441 S \* 5/2015 Zhang ..... D12/209  
D734,701 S \* 7/2015 Mielke ..... D12/209  
D737,748 S \* 9/2015 Henstridge ..... D12/209  
D749,028 S \* 2/2016 Henstridge ..... D12/209  
D753,043 S \* 4/2016 Pollmann ..... D12/209  
D756,876 S \* 5/2016 Rueckheim ..... D12/209  
D757,624 S \* 5/2016 Hammoud ..... D12/209  
D760,139 S \* 6/2016 Dionisopoulos ..... D12/209

(Continued)

**OTHER PUBLICATIONS**

<http://www.coventrywheels.com/custom-jaguar-wheels/>—Re-  
trieved Mar. 12, 2018.\*

(Continued)

*Primary Examiner* — Manpreet S Matharu

*Assistant Examiner* — Mojtaba Tehrani

(74) *Attorney, Agent, or Firm* — Wood Herron & Evans  
LLP

(57) **CLAIM**

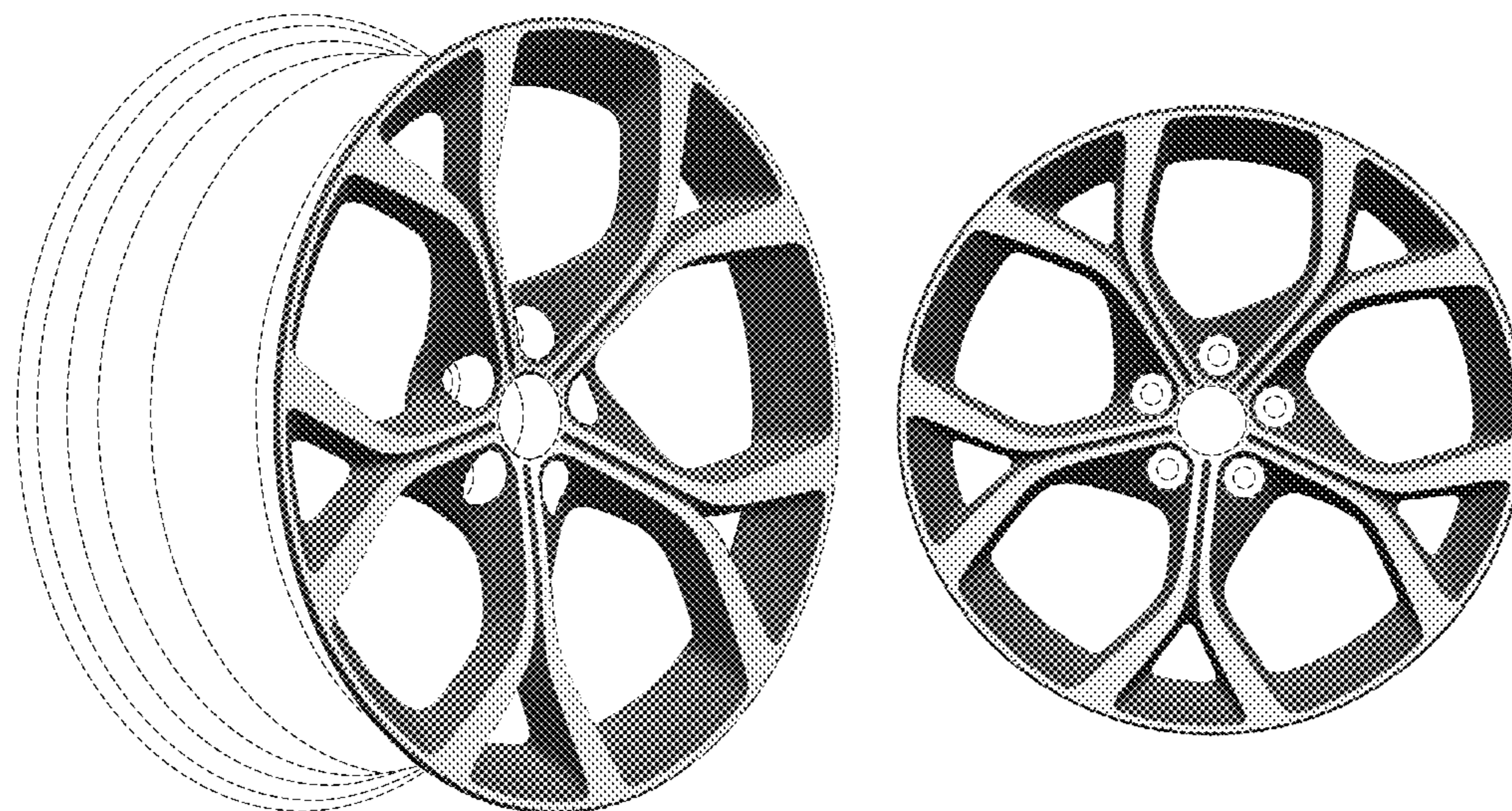
The ornamental design for a wheel, as shown and described.

**DESCRIPTION**

FIG. 1 is a front left perspective view of the first embodi-  
ment of a wheel, showing my new design;  
FIG. 2 is a front view thereof;  
FIG. 3 is a left side view thereof, the right side being a mirror  
image thereof;  
FIG. 4 is a front left perspective view of the second  
embodiment of a wheel, showing my new design;  
FIG. 5 is a front view thereof; and,  
FIG. 6 is a left side view thereof, the right side being a mirror  
image thereof.

In FIGS. 1-6, the broken line show environmental structure  
and form no part of the claimed invention. More, specifi-  
cally, in FIGS. 1, 2, 5 and 6, the centrally located broken  
lines show wheel hub structure, including bolt holes.

**1 Claim, 4 Drawing Sheets**



(56)

**References Cited**

U.S. PATENT DOCUMENTS

D763,759 S *	8/2016	Valencia Pollex .....	D12/209
D764,369 S *	8/2016	Wheel .....	D12/209
D783,489 S *	4/2017	Bucher .....	D12/209
D783,490 S *	4/2017	Bucher .....	D12/209
D784,233 S *	4/2017	Hejtmanek .....	D12/209
D797,025 S *	9/2017	Khachatryan .....	D12/209
D797,635 S *	9/2017	Rueckheim .....	D12/209
D801,250 S *	10/2017	Chung .....	D12/209
D801,901 S *	11/2017	Gardavsky .....	D12/209
D803,135 S *	11/2017	Bucher .....	D12/209
D810,646 S *	2/2018	Heizmann .....	D12/209

OTHER PUBLICATIONS

<http://www.redbournewheels.com/land-rover-wheels/>—Retrieved  
Mar. 12, 2018.\*

\* cited by examiner



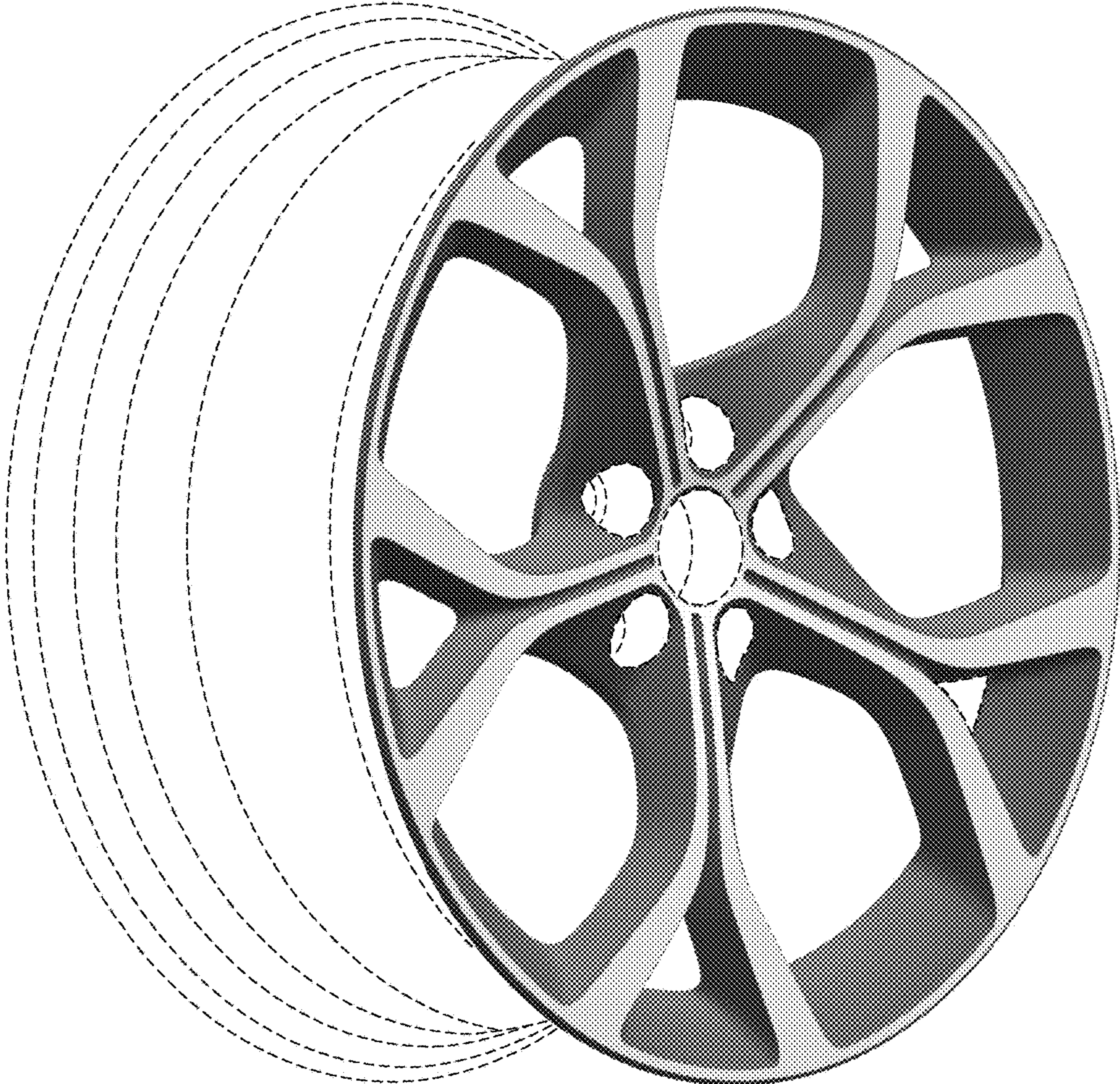


FIG. 1



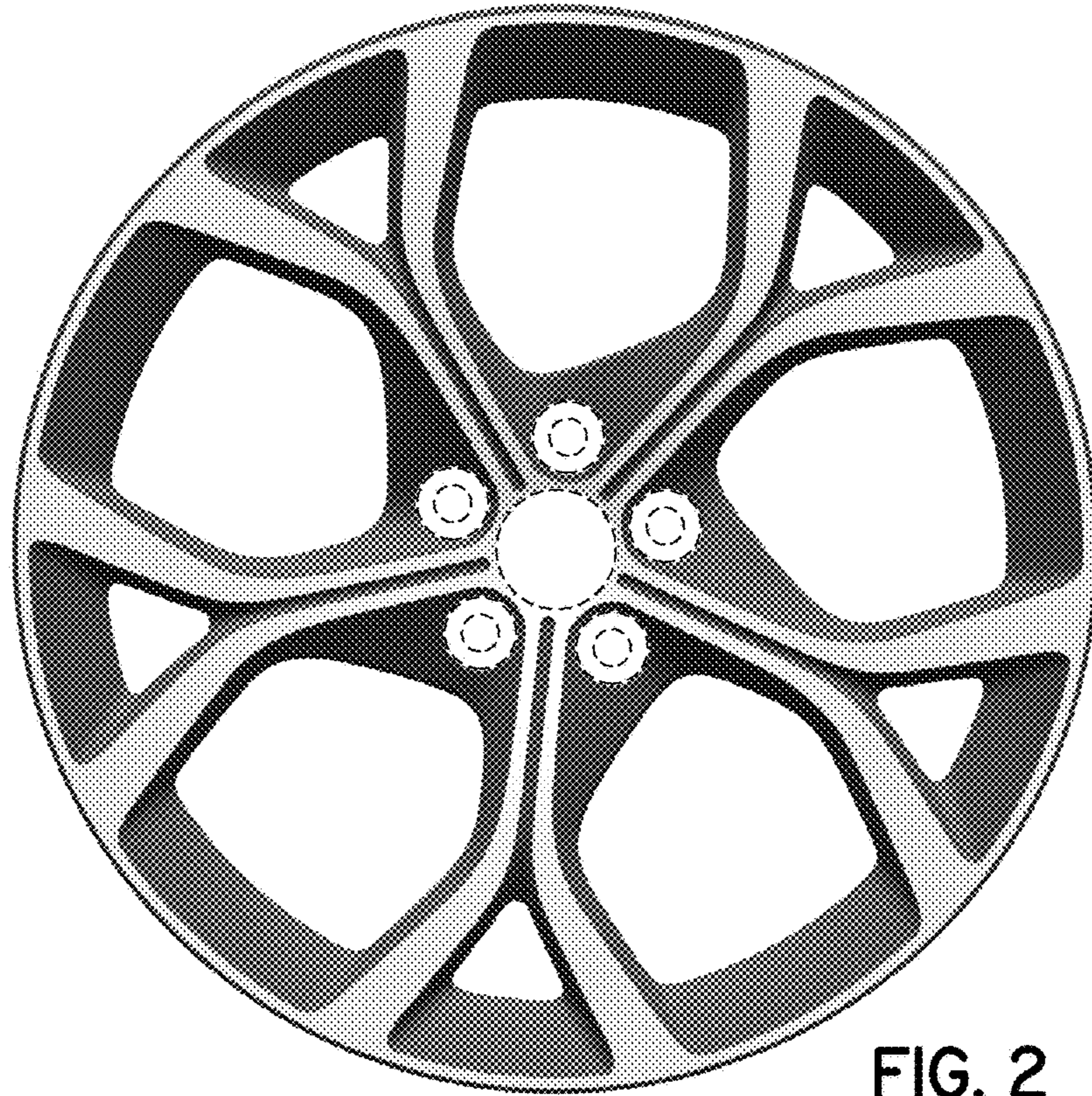


FIG. 2

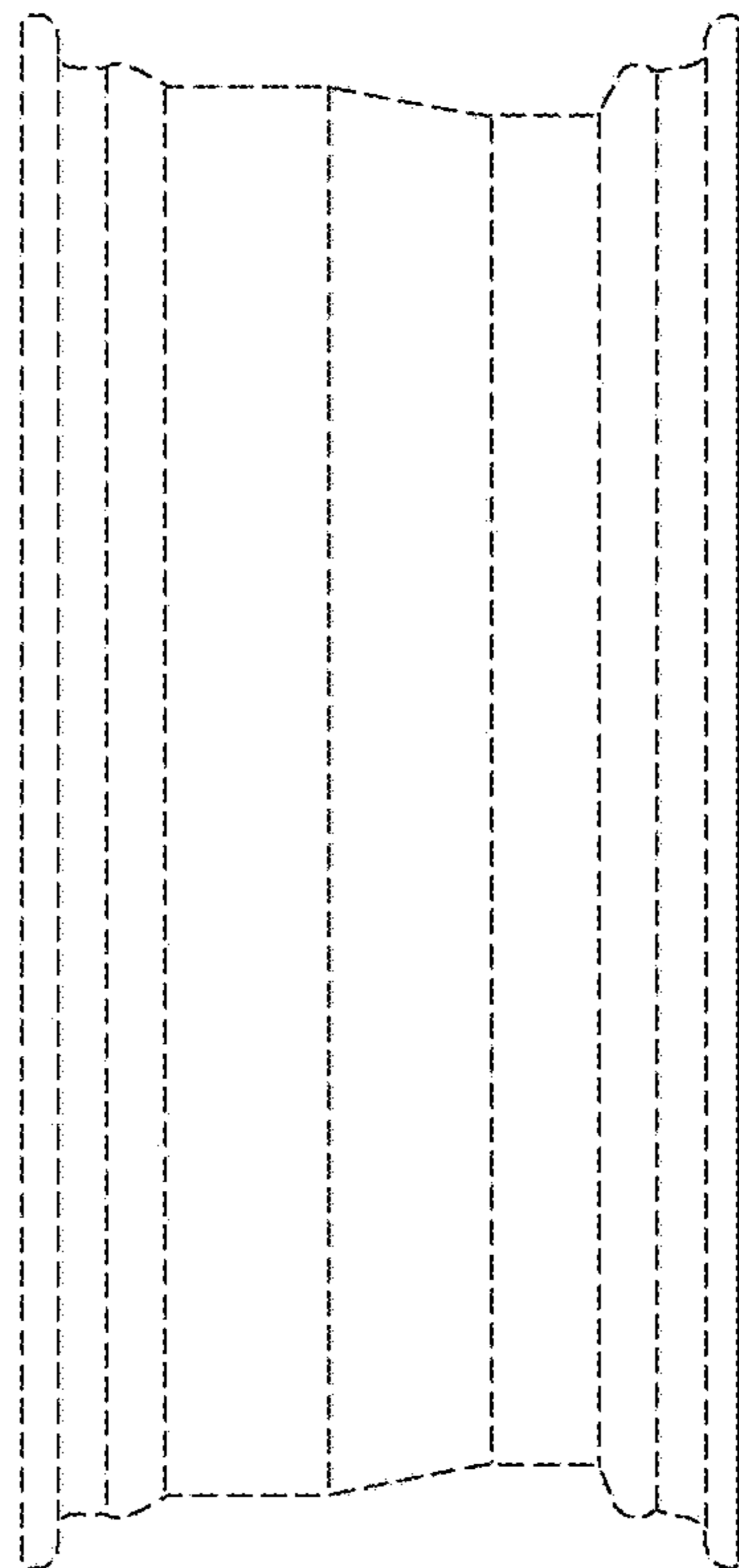


FIG. 3



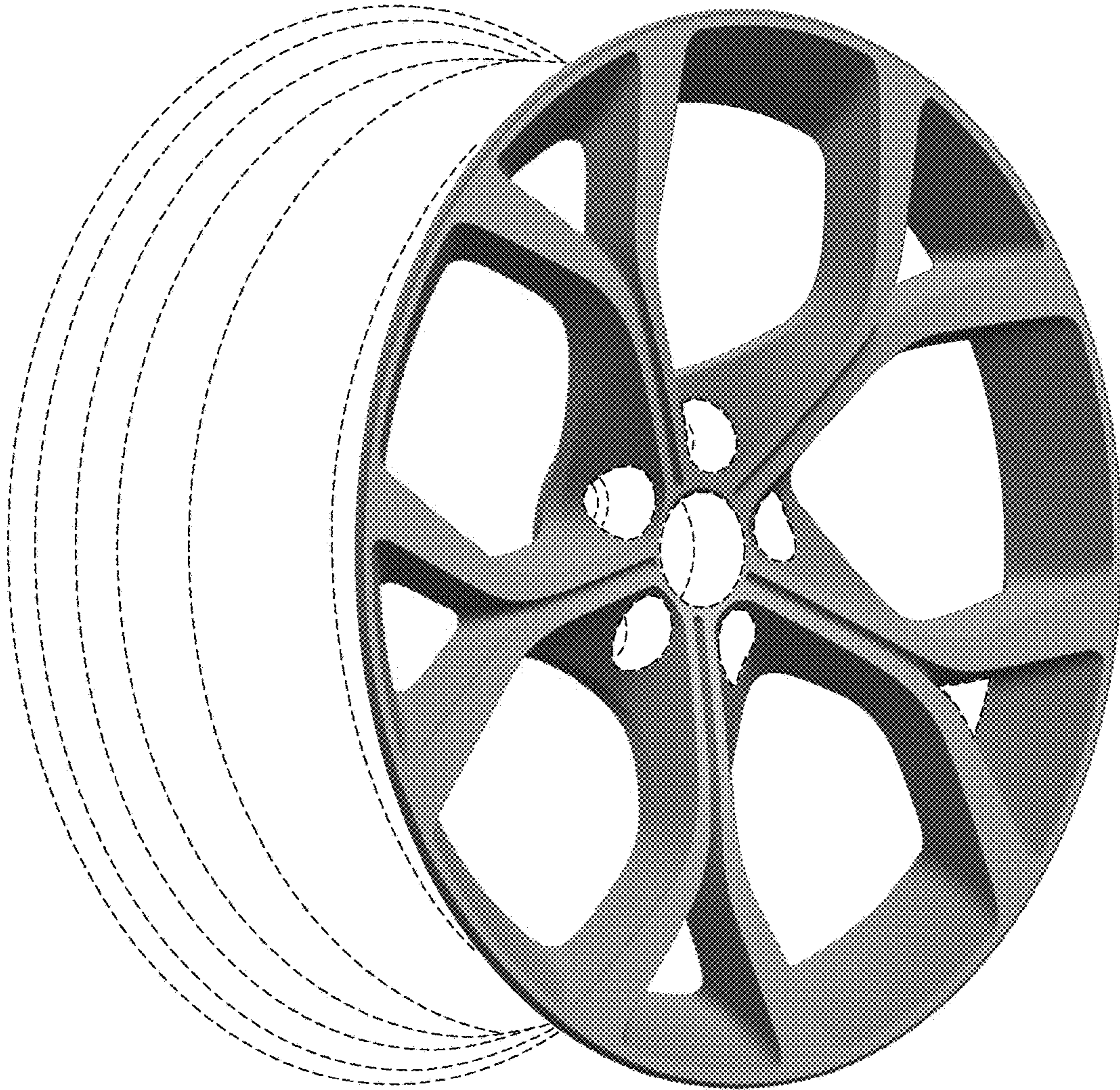


FIG. 4



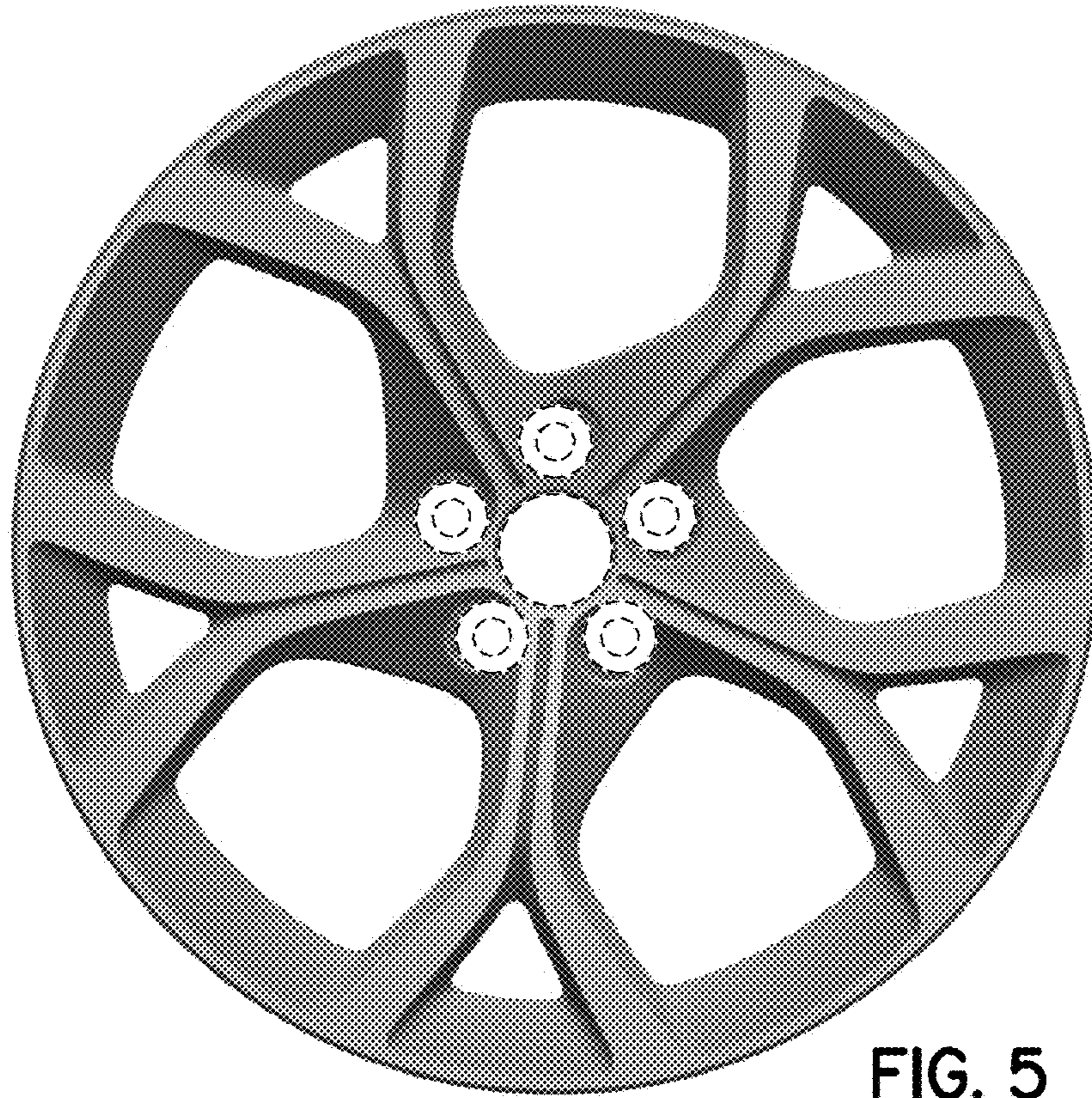


FIG. 5

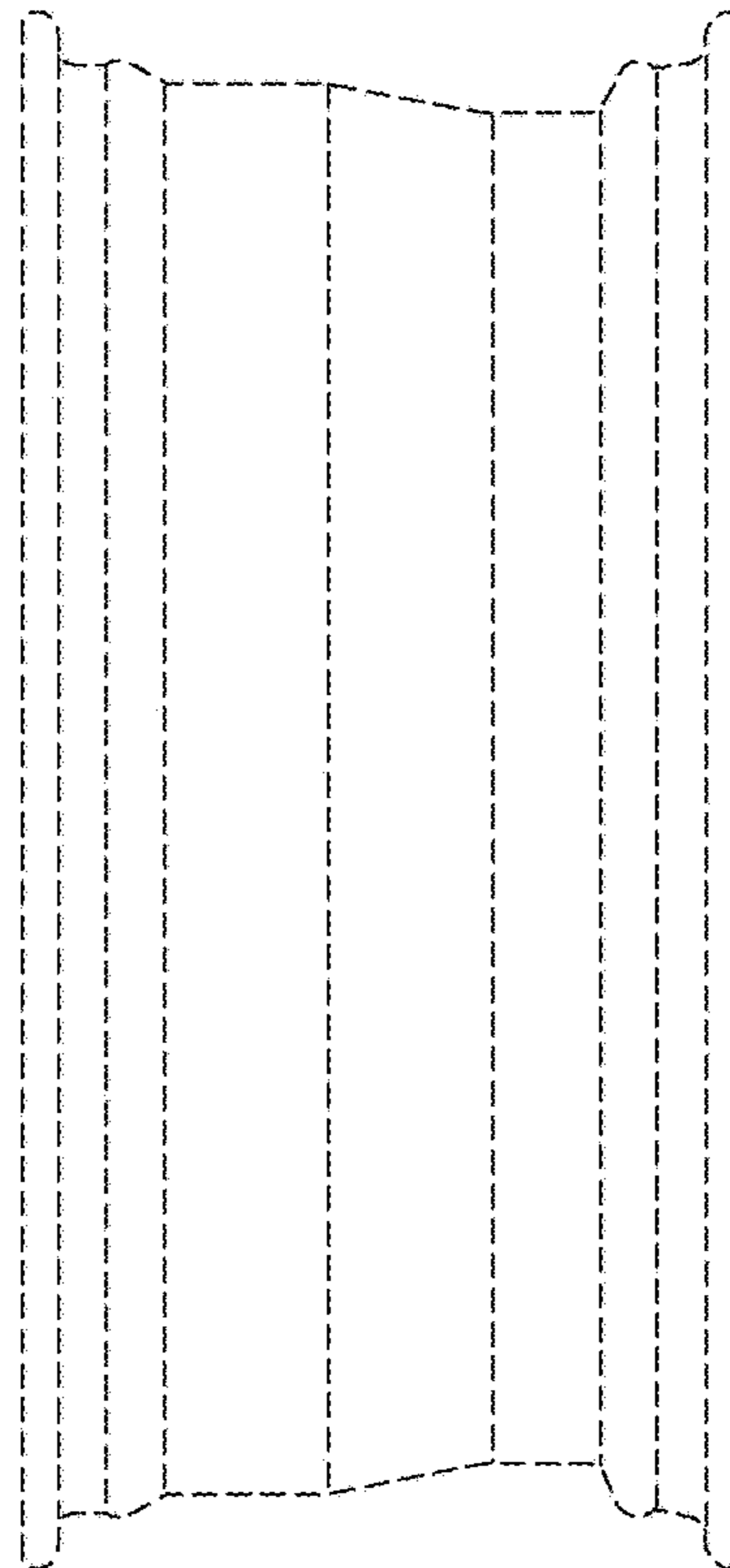


FIG. 6

UNITED STATES PATENT AND TRADEMARK OFFICE  
**CERTIFICATE OF CORRECTION**

PATENT NO. : D825,425 S  
APPLICATION NO. : 29/604902  
DATED : August 14, 2018  
INVENTOR(S) : Charlie Brundle

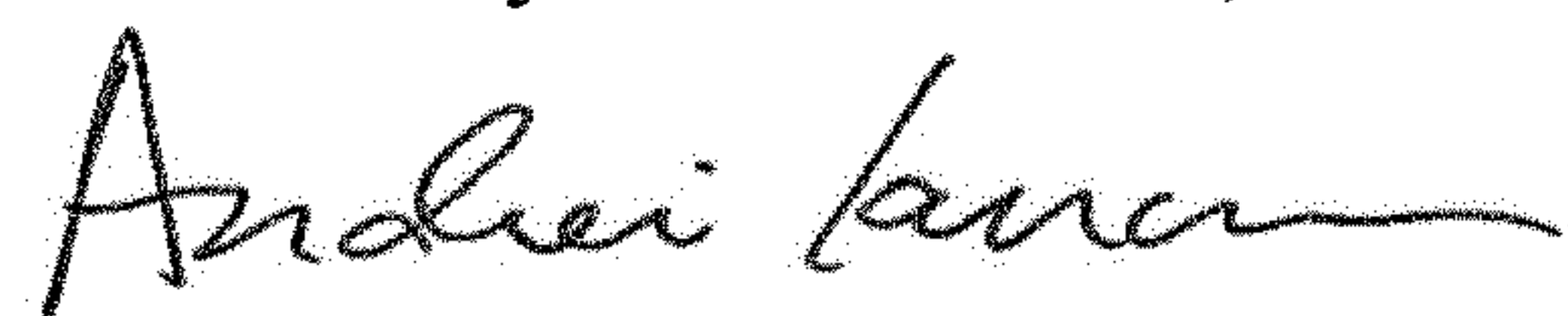
Page 1 of 1

It is certified that error appears in the above-identified patent and that said Letters Patent is hereby corrected as shown below:

On the Title Page

Column 2, under Description, reads "In FIGS. 1-6, the broken line show environmental structure" and should read -- In FIGS. 1-6, the broken lines show environmental structure --

Signed and Sealed this  
Sixth Day of November, 2018



Andrei Iancu  
*Director of the United States Patent and Trademark Office*