



US00D825424S

(12) **United States Design Patent** (10) **Patent No.:** **US D825,424 S**
Setter (45) **Date of Patent:** **** Aug. 14, 2018**

(54) **WHEEL**

(71) Applicant: **Jaguar Land Rover Limited**, Whitley, Coventry (GB)

(72) Inventor: **Adam Setter**, Coventry (GB)

(73) Assignee: **Jaguar Land Rover Limited**, Whitley, Coventry (GB)

(**) Term: **15 Years**

(21) Appl. No.: **29/604,885**

(22) Filed: **May 22, 2017**

(30) **Foreign Application Priority Data**

Nov. 30, 2016 (EM) 003492891-0005
Nov. 30, 2016 (EM) 003492891-0006

(51) **LOC (11) Cl.** **12-16**

(52) **U.S. Cl.**
USPC **D12/209**

(58) **Field of Classification Search**
USPC D12/204, 205, 206, 207, 208, 209, 210, D12/211, 212, 213

CPC B60B 7/00; B60B 7/01; B60B 7/02; B60B 7/04; B60B 7/06; B60B 3/02; B60B 3/04; B60B 3/06; B60B 3/10; B60B 1/00; B60B 1/08; B60B 1/10; B60B 1/12

See application file for complete search history.

(56) **References Cited**

U.S. PATENT DOCUMENTS

D695,669 S * 12/2013 Pollmann D12/209
D715,209 S * 10/2014 Tovey D12/209
D725,569 S * 3/2015 Komukai D12/209
D752,496 S * 3/2016 Smith D12/209

D753,045 S * 4/2016 Kawaguchi D12/209
D762,543 S * 8/2016 Hara D12/209
D775,044 S * 12/2016 Smith D12/209
D778,798 S * 2/2017 Park D12/209
D780,083 S * 2/2017 Wheel D12/209
D788,674 S * 6/2017 Mielke D12/209
D790,421 S * 6/2017 Grewer D12/209
D798,212 S * 9/2017 Chung D12/209
D803,131 S * 11/2017 Bridan D12/209

OTHER PUBLICATIONS

<http://www.coventrywheels.com/custom-jaguar-wheels/>—Retrieved Mar. 12, 2018.*

<http://www.redbournwheels.com/land-rover-wheels/>—Retrieved Mar. 12, 2018.*

<https://www.bloomberg.com/news/articles/2016-08-01/2017-jaguar-xe-review-falls-behind-the-competition-other-jags>—Published Aug. 1, 2016.*

* cited by examiner

Primary Examiner — Manpreet S Matharu

Assistant Examiner — Mojtaba Tehrani

(74) *Attorney, Agent, or Firm* — Wood Herron & Evans LLP

(57) **CLAIM**

The ornamental design for a wheel, as shown and described.

DESCRIPTION

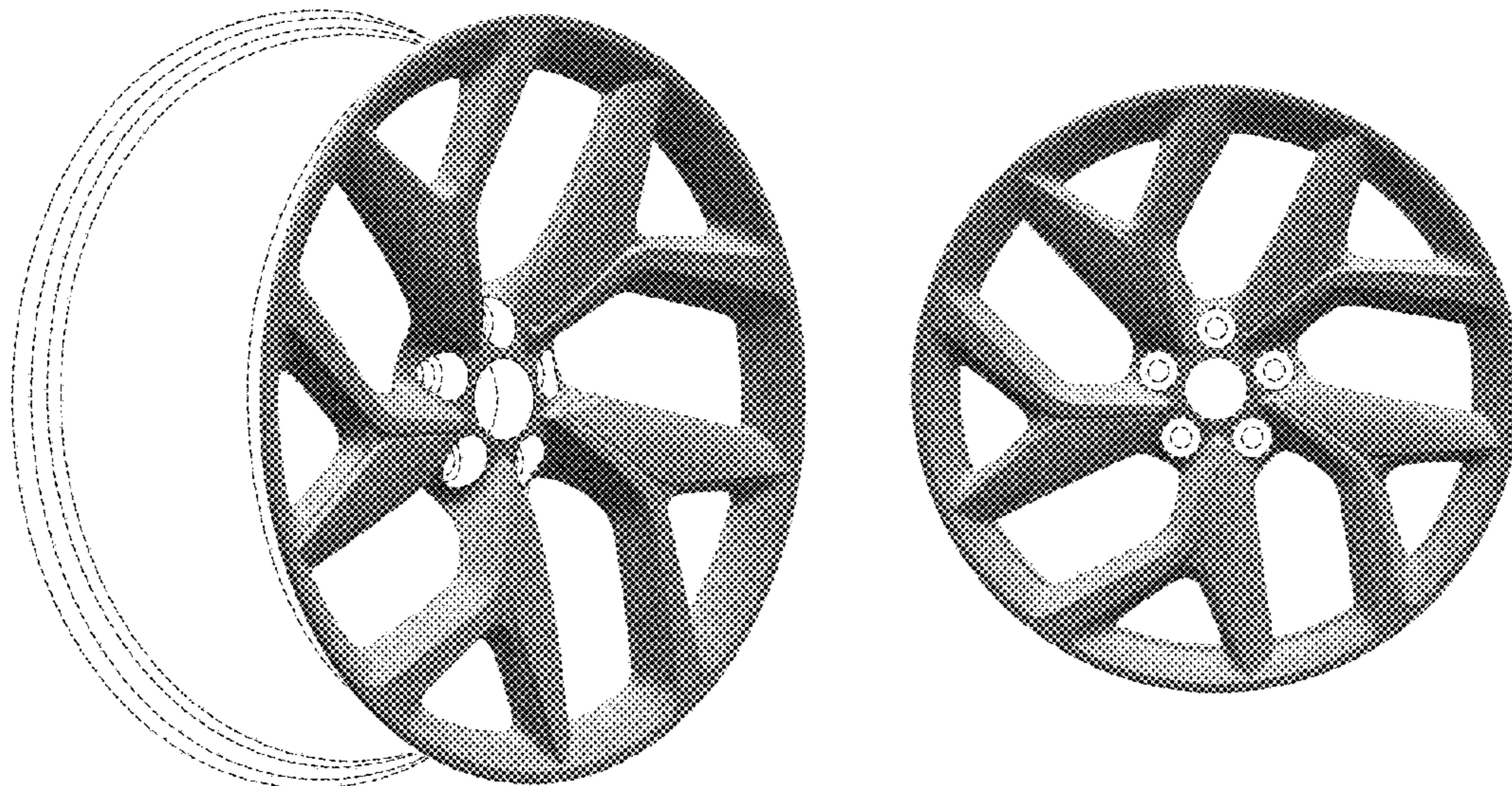
FIG. 1 is a front left perspective view of a wheel, showing my new design;

FIG. 2 is a front view thereof; and,

FIG. 3 is a left side view thereof, the right side being a mirror image thereof.

The broken line in the figure drawings represents unclaimed environment only and forms no part of the claimed design.

1 Claim, 2 Drawing Sheets



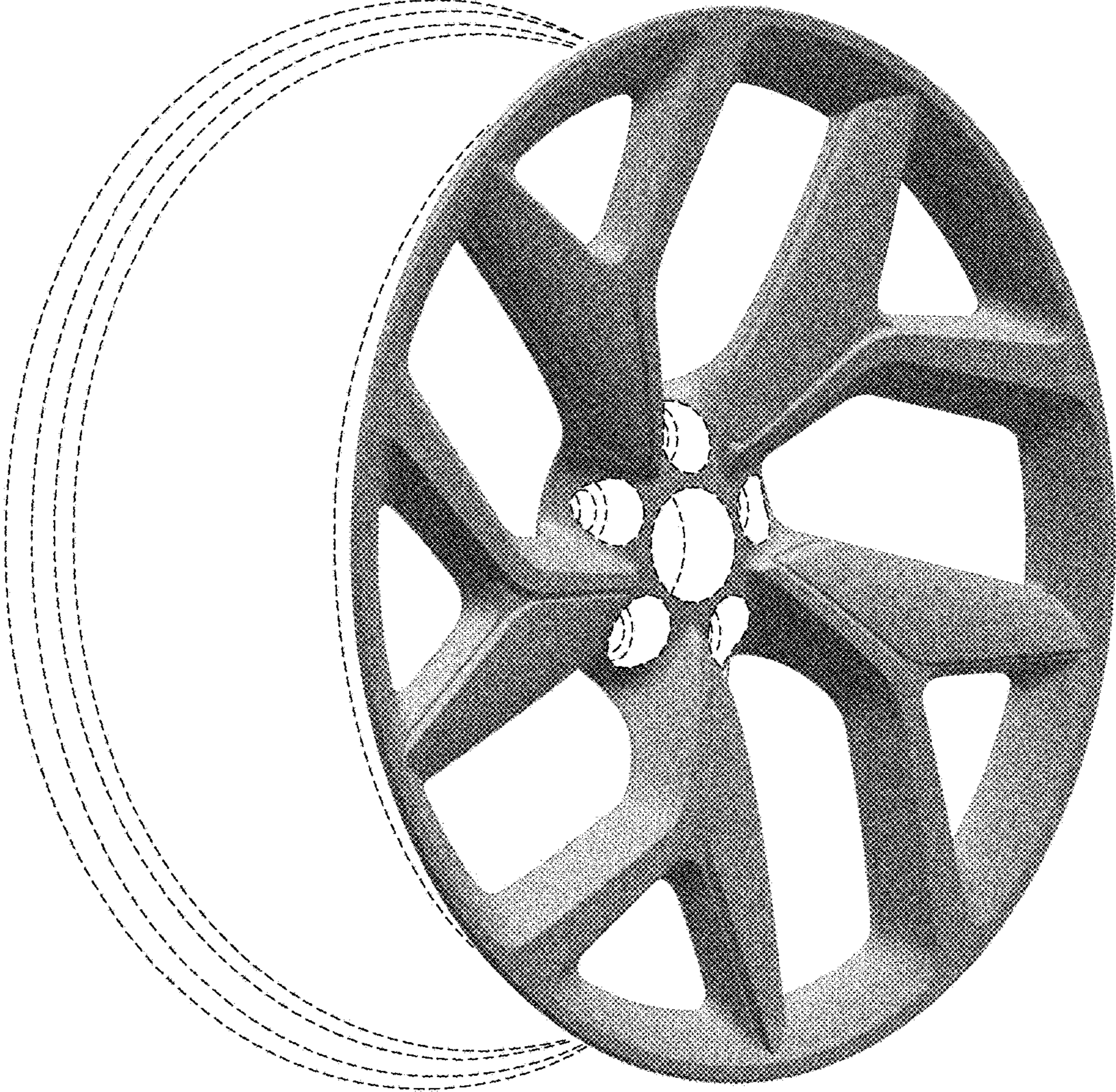


FIG. 1

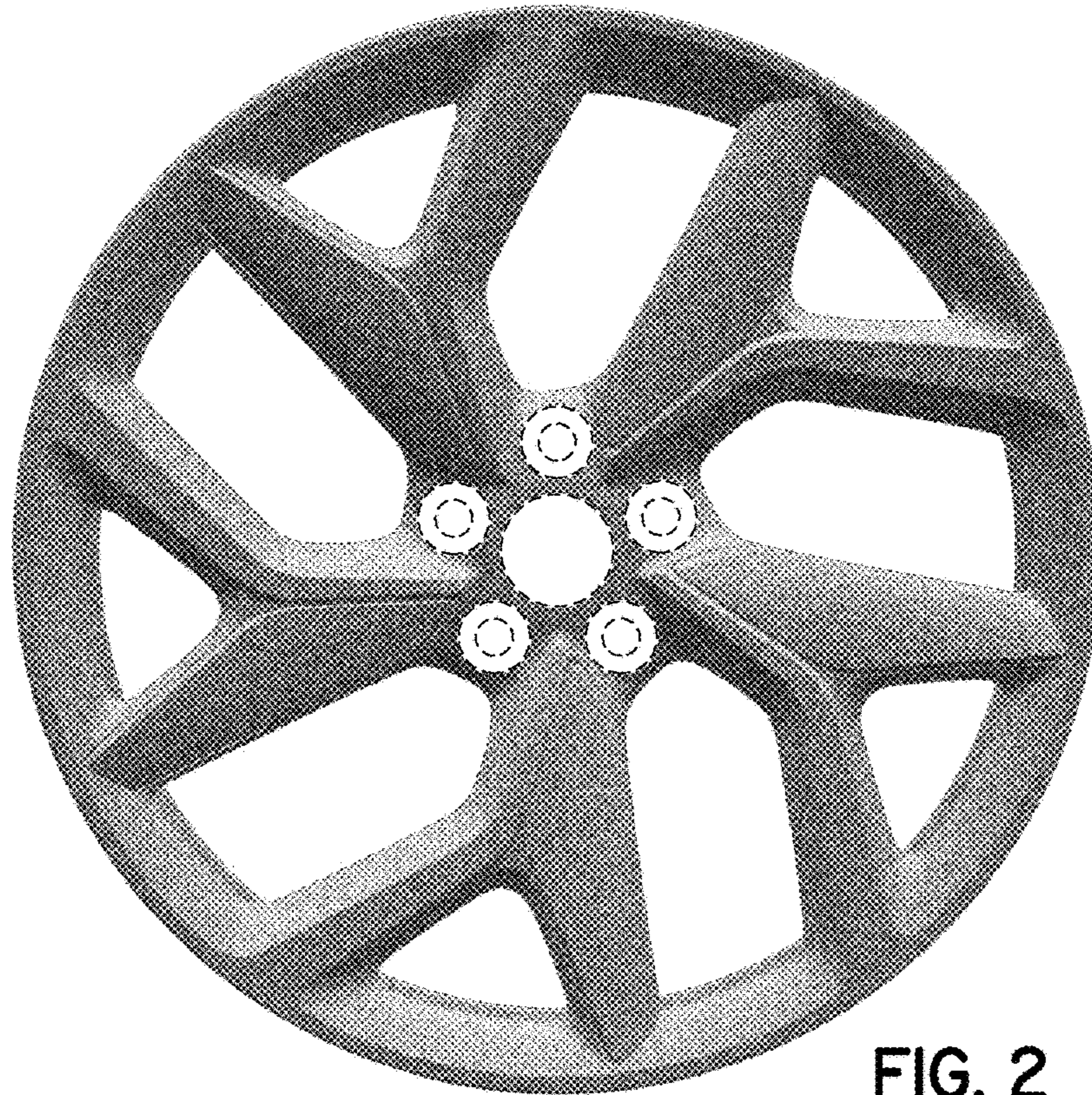


FIG. 2



FIG. 3