



US00D825423S

(12) **United States Design Patent**  
**Henderson**

(10) **Patent No.:** **US D825,423 S**

(45) **Date of Patent:** **\*\* Aug. 14, 2018**

- (54) **VEHICLE WHEEL FRONT FACE**
- (71) Applicant: **MOBILE HI-TECH WHEELS,**  
Rancho Dominguez, CA (US)
- (72) Inventor: **Brian Henderson,** Seal Beach, CA  
(US)
- (73) Assignee: **Mobile Hi-Tech Wheels,** Rancho  
Dominguez, CA (US)
- (\*\*) Term: **15 Years**
- (21) Appl. No.: **29/601,874**
- (22) Filed: **Apr. 26, 2017**
- (51) **LOC (11) Cl.** ..... **12-16**
- (52) **U.S. Cl.**  
USPC ..... **D12/209**
- (58) **Field of Classification Search**  
USPC ..... D12/204–213; D21/533, 561, 563  
CPC .... B60B 7/00; B60B 7/02; B60B 7/04; B60B  
7/06; B60B 3/02; B60B 3/04; B60B 3/06;  
B60B 3/10; B60B 1/00; B60B 1/08;  
B60B 1/10; B60B 1/12  
See application file for complete search history.

D430,526 S *	9/2000	Fitzgerald .....	D12/211
D606,922 S *	12/2009	Thorsten .....	D12/211
D622,199 S *	8/2010	Gallert .....	D12/211
D661,239 S *	6/2012	Pollmann .....	D12/209
D723,993 S *	3/2015	Zhao .....	D12/209
D726,087 S *	4/2015	Breyton .....	D12/211
D735,630 S *	8/2015	Swaneger .....	D12/209
D756,282 S *	5/2016	Zhao .....	D12/209
D758,274 S *	6/2016	Breyton .....	D12/209
D760,142 S *	6/2016	Chu .....	D12/211
D778,223 S *	2/2017	Chu .....	D12/211
D784,238 S *	4/2017	Chu .....	D12/211
D787,408 S *	5/2017	Alfonso .....	D12/211
D795,775 S *	8/2017	Simpson .....	D12/211

\* cited by examiner

*Primary Examiner* — Sheryl Lane

*Assistant Examiner* — Calvin E Vansant

(74) *Attorney, Agent, or Firm* — Lewis Roca Rothgerber  
Christie LLP

(57) **CLAIM**

The ornamental design for vehicle wheel front face, as shown and described.

**DESCRIPTION**

FIG. 1 is a perspective view of a vehicle wheel front face according to my new design;

FIG. 2 is a front elevational view thereof; and,

FIG. 3 is a side elevational view thereof.

The broken lines depict portions of the vehicle wheel front face that form no part of the claim.

**1 Claim, 3 Drawing Sheets**

(56) **References Cited**

U.S. PATENT DOCUMENTS

D376,125 S *	12/1996	Fikse .....	D12/211
D395,270 S *	6/1998	Baumgartner .....	D12/211
D398,898 S *	9/1998	Baumgartner .....	D12/211
D419,948 S *	2/2000	Cahyono .....	D12/211

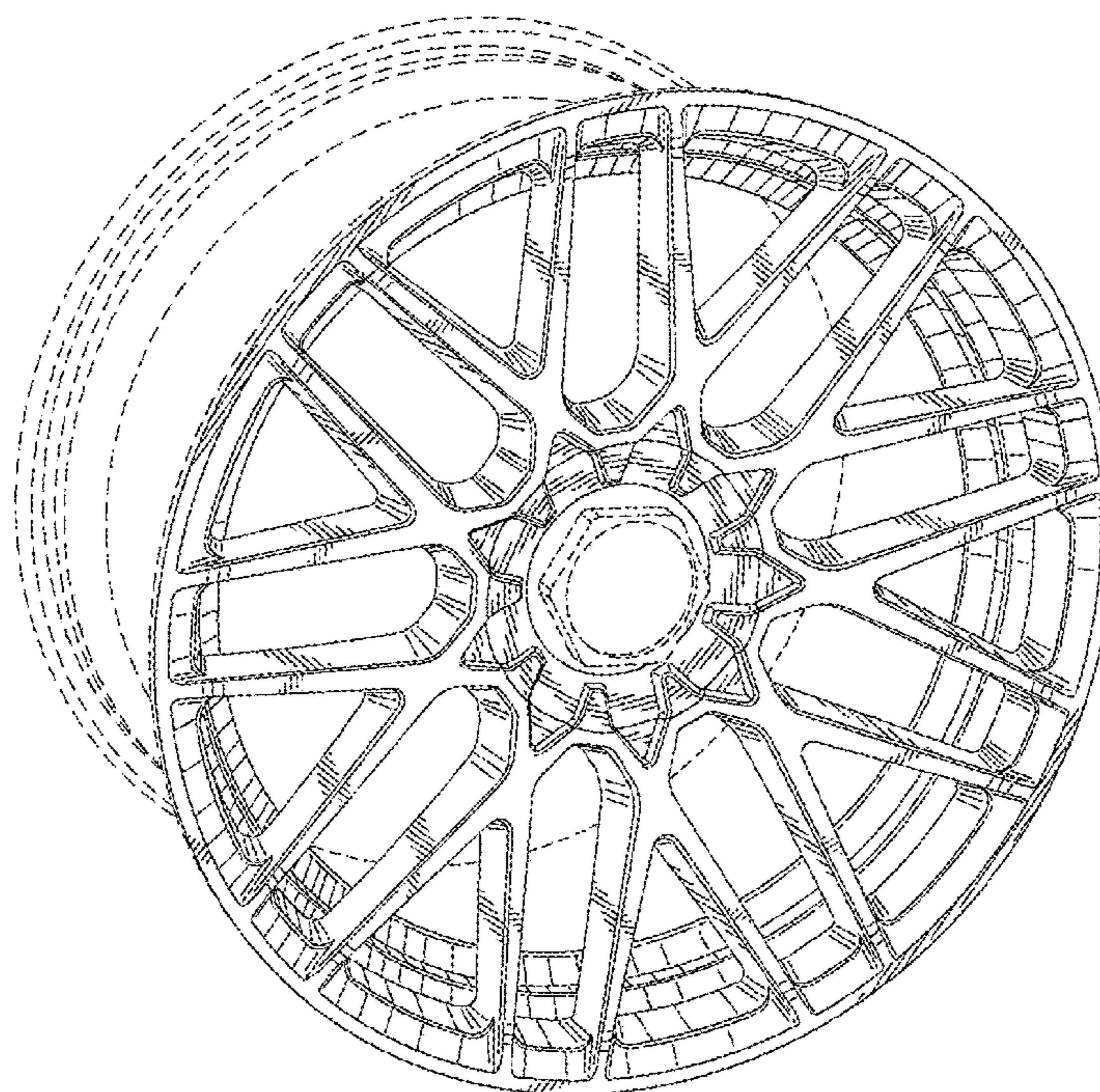


FIG. 1

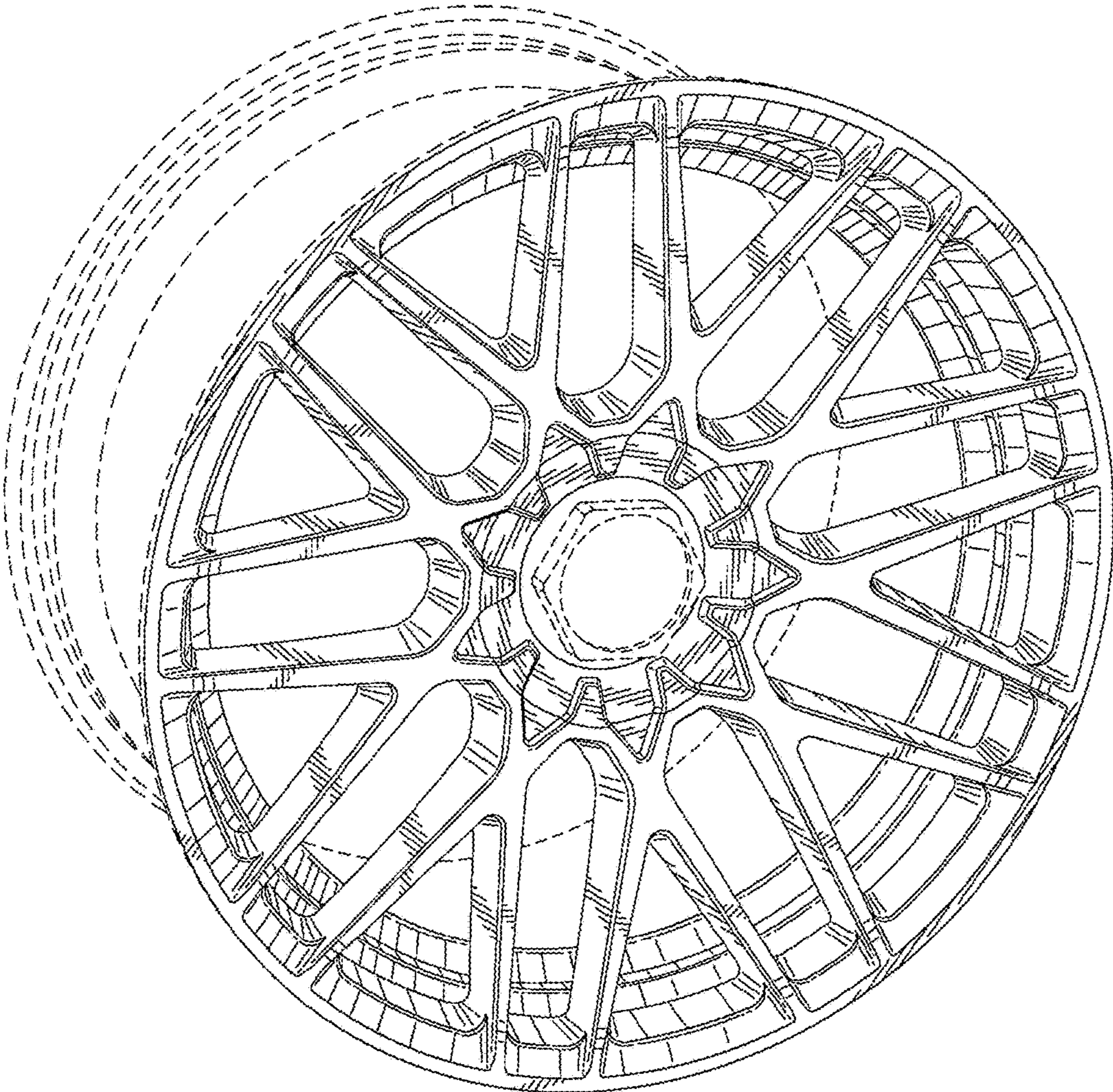


FIG. 2

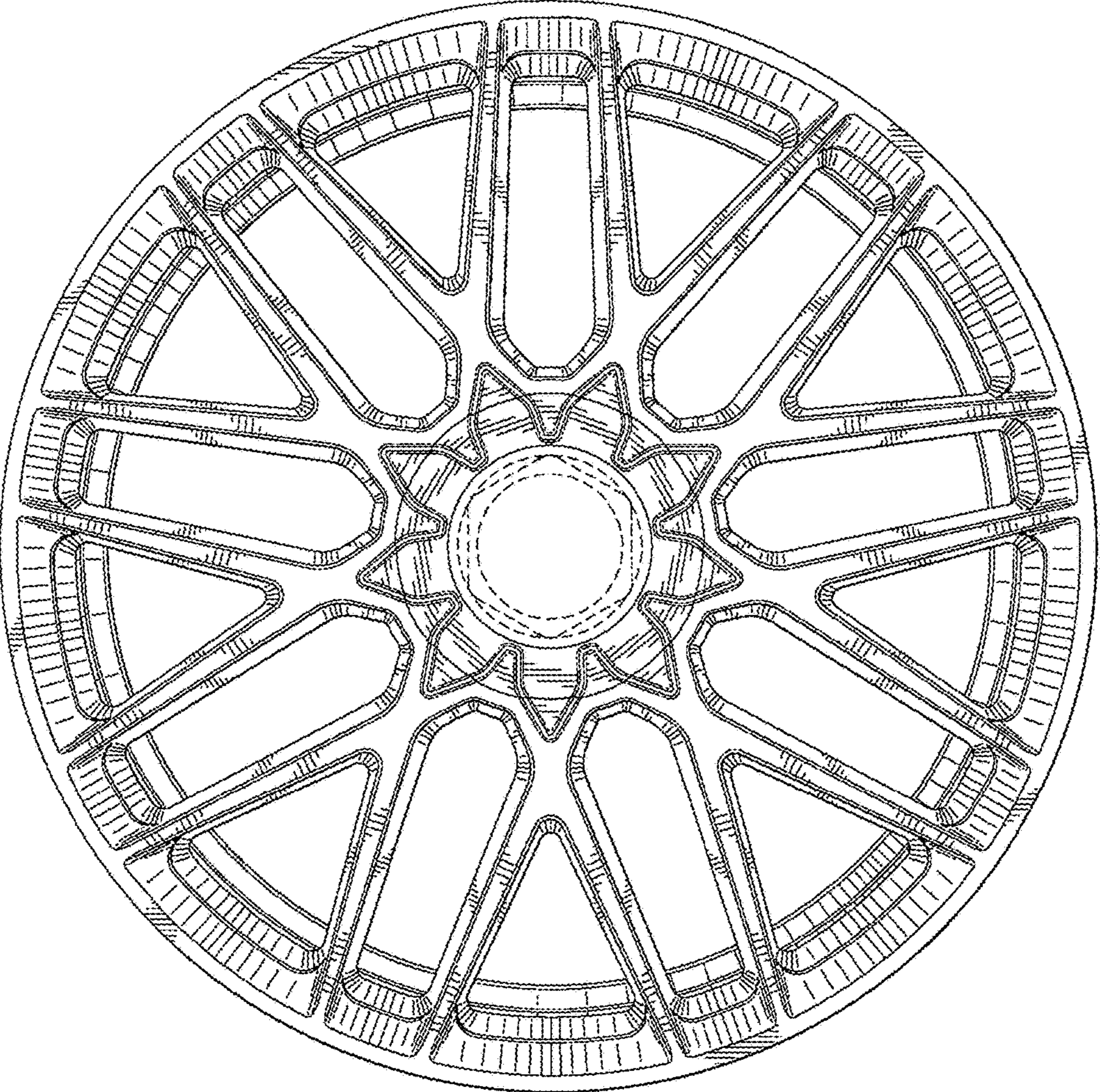


FIG. 3

