



US00D825418S

(12) **United States Design Patent** (10) **Patent No.:** **US D825,418 S**  
**Cadalora et al.** (45) **Date of Patent:** **\*\* Aug. 14, 2018**

(54) **CONTROL INTERFACE FOR A VEHICLE STEERING WHEEL**

(71) Applicant: **CNH Industrial America LLC**, New Holland, PA (US)

(72) Inventors: **Alessio Cadalora**, Modena (IT); **Armando Gabriele**, Corigliano Calabro (IT); **Simone Molesini**, Carpi (IT); **Tiziano Salvini**, Tribiano Mi (IT)

(73) Assignee: **CNH Industrial America LLC**, New Holland, PA (US)

(\*\*) Term: **15 Years**

(21) Appl. No.: **29/554,004**

(22) Filed: **Feb. 5, 2016**

(30) **Foreign Application Priority Data**

Aug. 6, 2015 (EP) ..... 002750646

(51) **LOC (11) Cl.** ..... **12-16**

(52) **U.S. Cl.**  
USPC ..... **D12/177**

(58) **Field of Classification Search**  
USPC ..... D12/174, 175, 176, 177, 192; D14/447; D21/694  
CPC ..... B60K 2350/928; B60R 21/203; B60R 16/027; B62D 1/046  
See application file for complete search history.

(56) **References Cited**

**U.S. PATENT DOCUMENTS**

4,792,783 A \* 12/1988 Burgess ..... B60K 35/00 307/10.1  
6,119,060 A \* 9/2000 Takayama ..... B60K 35/00 307/9.1  
6,253,131 B1 \* 6/2001 Quigley ..... B60R 16/027 340/461

D521,426 S \* 5/2006 Hoffmann ..... D12/176  
D619,516 S \* 7/2010 Niebuhr ..... D12/176  
D679,637 S \* 4/2013 Mihashi ..... D12/177  
8,465,048 B2 \* 6/2013 Hayashi ..... B60R 21/2155 280/728.3  
D710,271 S \* 8/2014 Norman ..... D12/176  
8,820,781 B2 \* 9/2014 Sato ..... B60R 21/203 280/731  
D727,226 S \* 4/2015 Mayerle ..... D12/176  
D763,749 S \* 8/2016 Hamanaga ..... D12/177  
D772,769 S \* 11/2016 Hamanaga ..... D12/176  
9,600,097 B2 \* 3/2017 Torii ..... G06F 3/03547  
D797,021 S \* 9/2017 Chergosky ..... D12/176  
9,821,726 B2 \* 11/2017 Nash ..... B60K 35/00

(Continued)

**OTHER PUBLICATIONS**

U.S. Appl. No. 29/553,992, filed Feb. 5, 2016, Alessio Cadalora.  
(Continued)

*Primary Examiner* — Robert M. Spear  
(74) *Attorney, Agent, or Firm* — Rickard K. DeMille; Rebecca L. Henkel

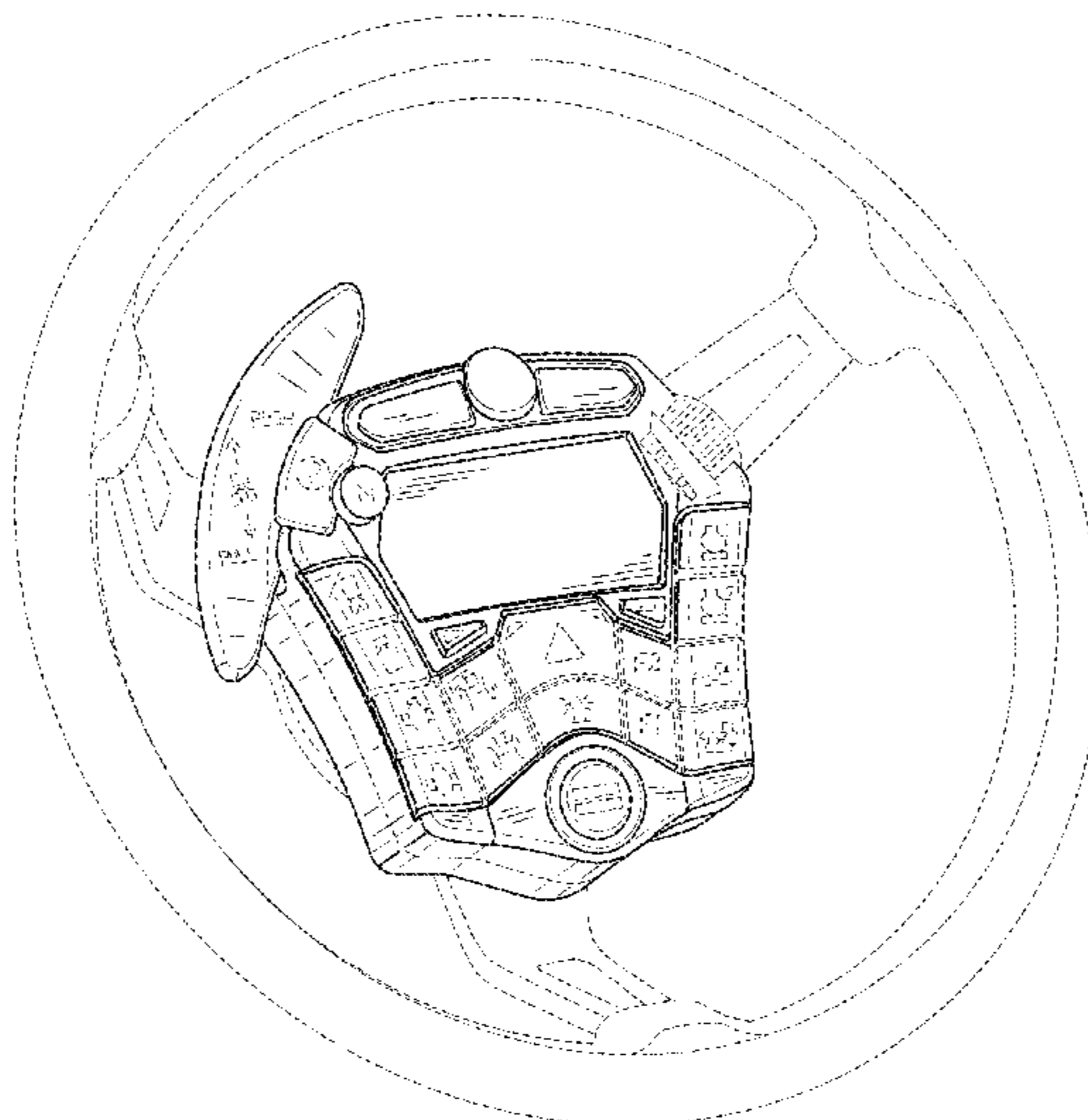
(57) **CLAIM**

The ornamental design for a control interface for a vehicle steering wheel, substantially as shown and described.

**DESCRIPTION**

FIG. 1 is a perspective view of a control interface for a vehicle steering wheel;  
FIG. 2 is a front view of the control interface;  
FIG. 3 is a left side view of the control interface;  
FIG. 4 is a right side view of the control interface;  
FIG. 5 is a top view of the control interface; and,  
FIG. 6 is a bottom view of the control interface.  
In the drawings, the broken lines depict environmental subject matter only and form no part of the claimed design.

**1 Claim, 4 Drawing Sheets**



(56)

**References Cited**

U.S. PATENT DOCUMENTS

9,855,909 B2 \* 1/2018 Ko ..... B60R 21/2035  
2016/0001807 A1 \* 1/2016 Hans ..... B62D 1/046  
345/173  
2017/0253192 A1 \* 9/2017 Faist ..... B60R 11/0264

OTHER PUBLICATIONS

U.S. Appl. No. 29/553,996, filed Feb. 5, 2016, Alessio Cadalora.  
U.S. Appl. No. 29/553,999, filed Feb. 5, 2016, Alessio Cadalora.  
U.S. Appl. No. 29/554,001, filed Feb. 5, 2016, Alessio Cadalora.  
U.S. Appl. No. 29/554,003, filed Feb. 5, 2016, Alessio Cadalora.

\* cited by examiner

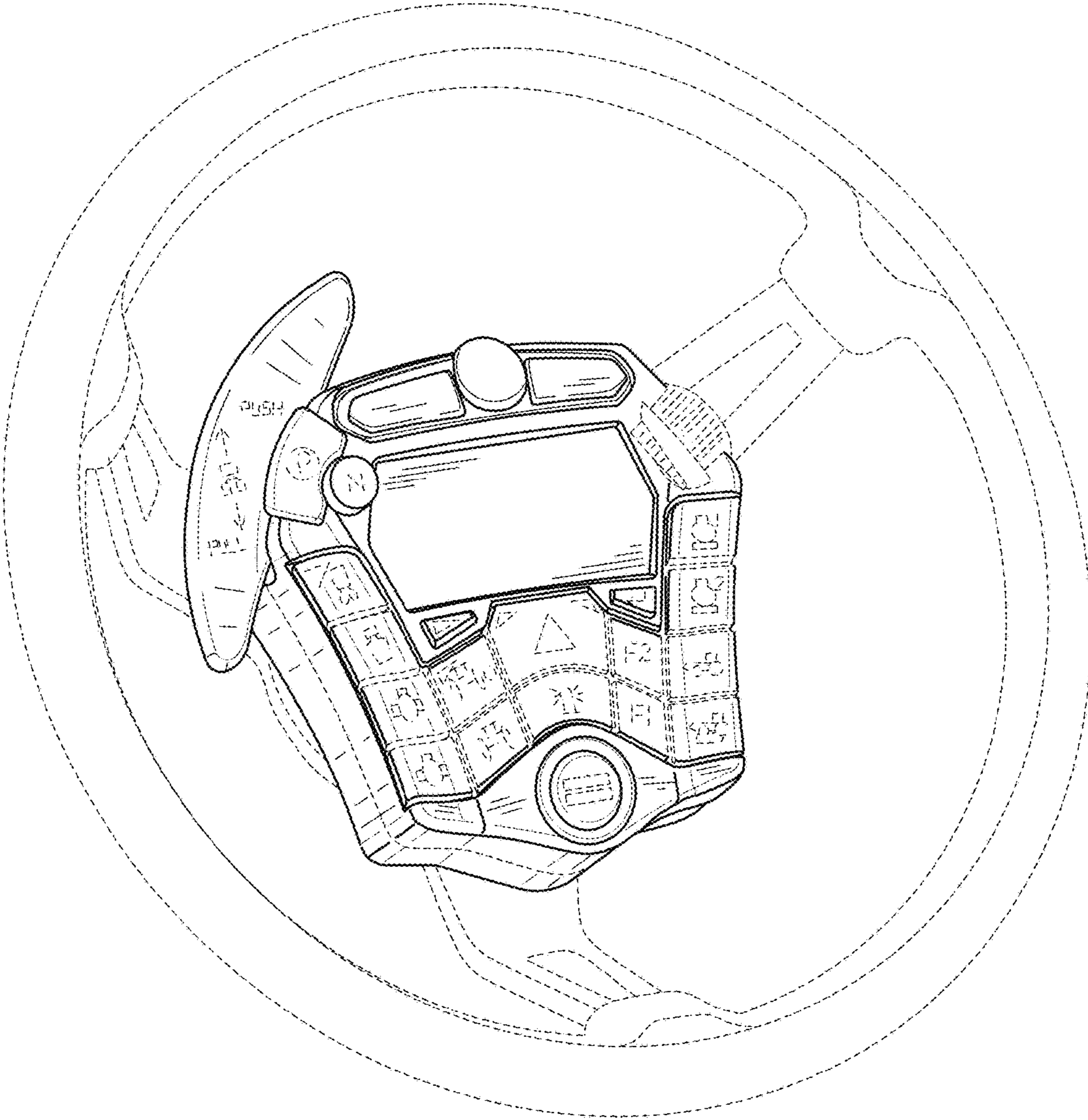


FIG. 1

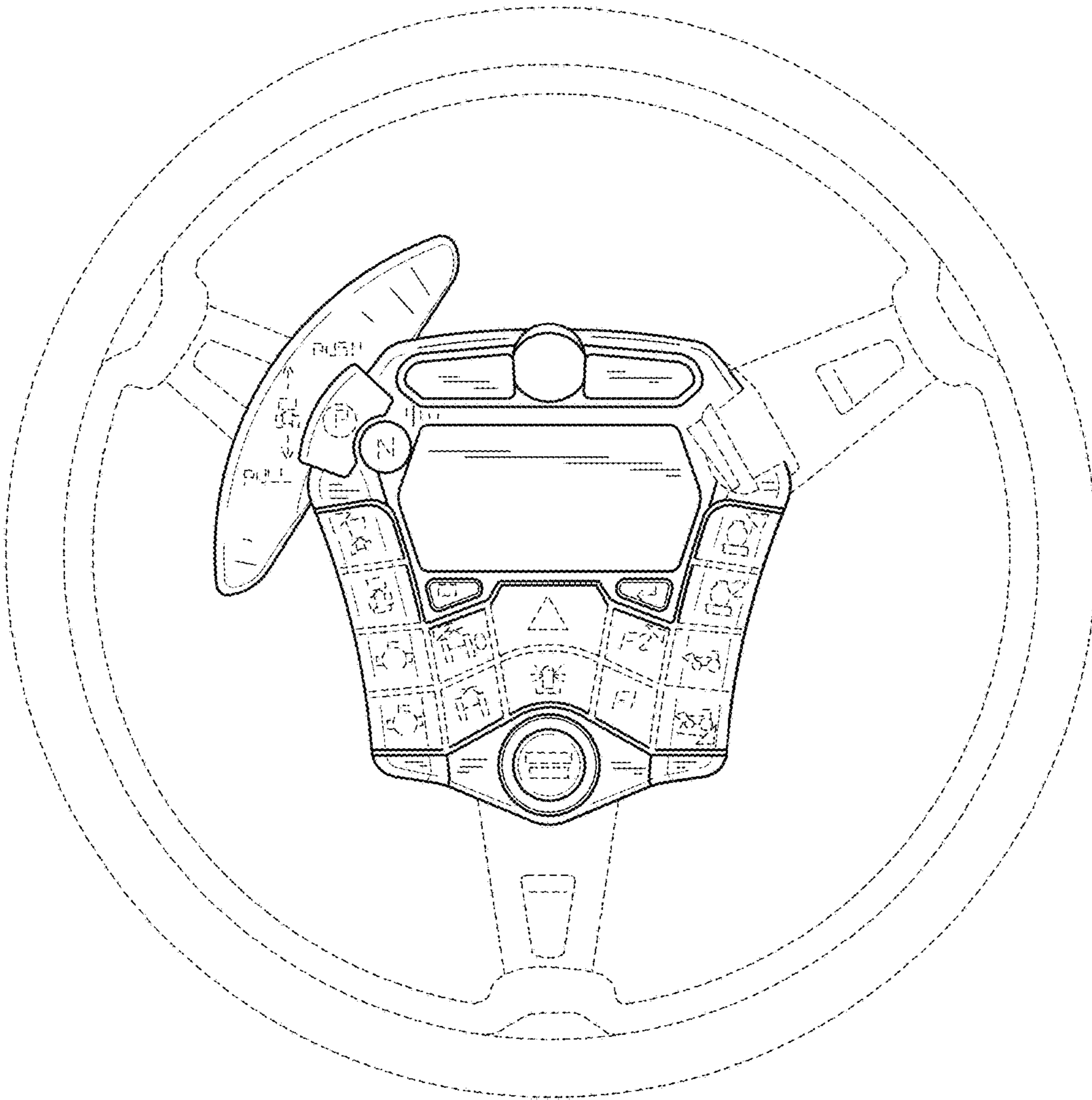


FIG. 2

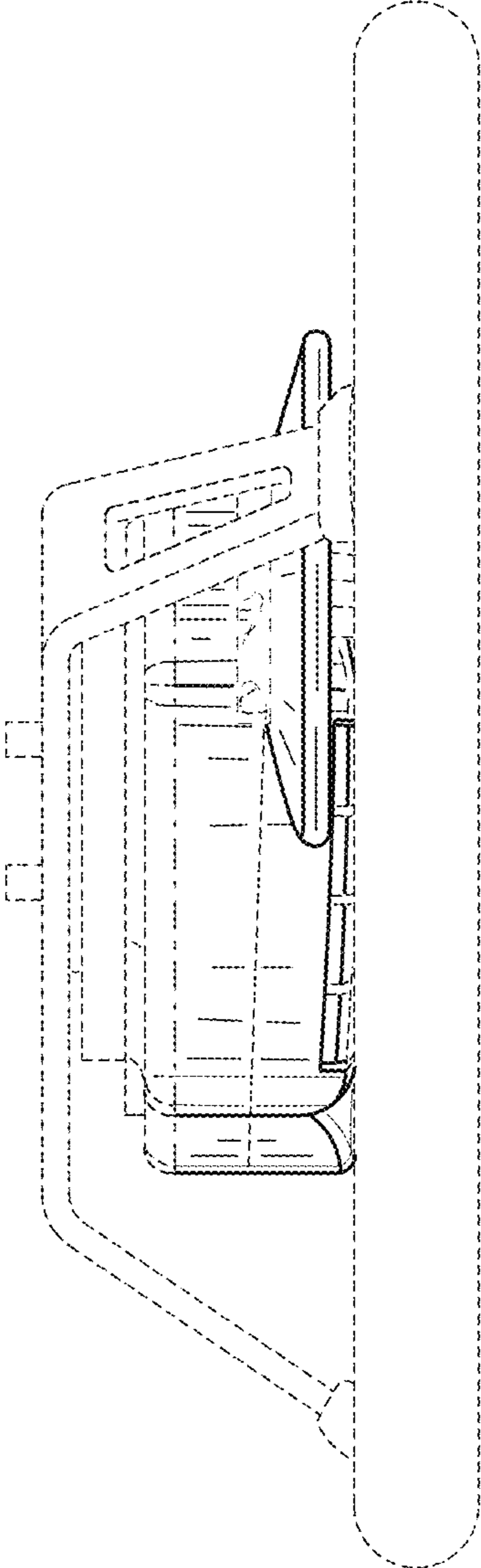


FIG. 3

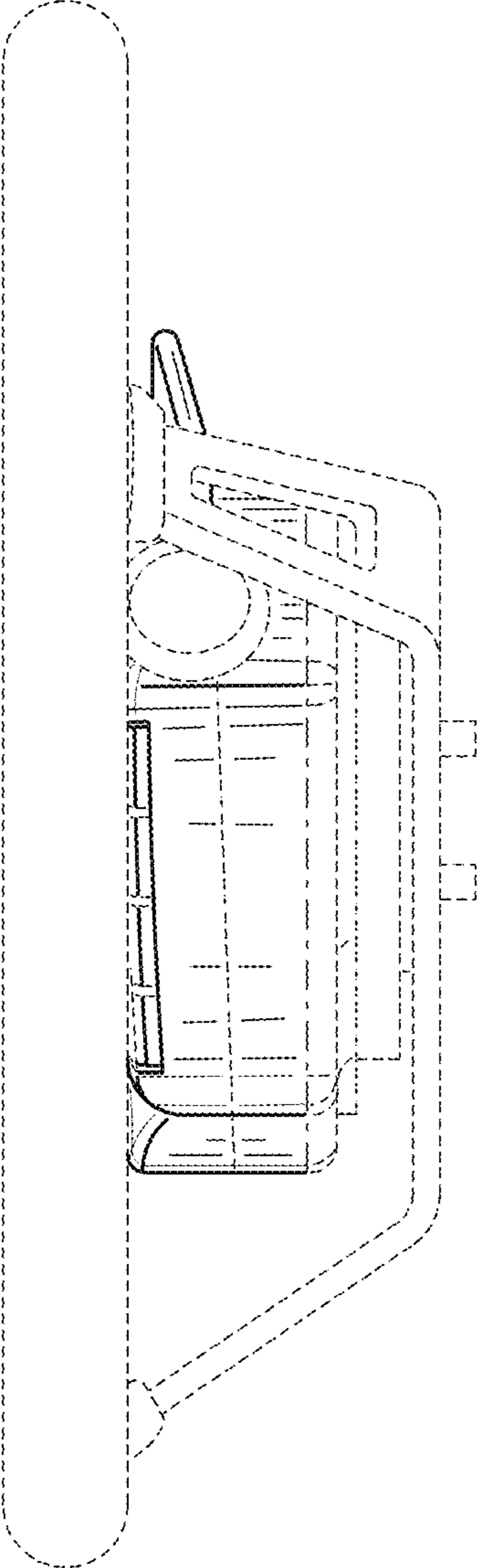


FIG. 4

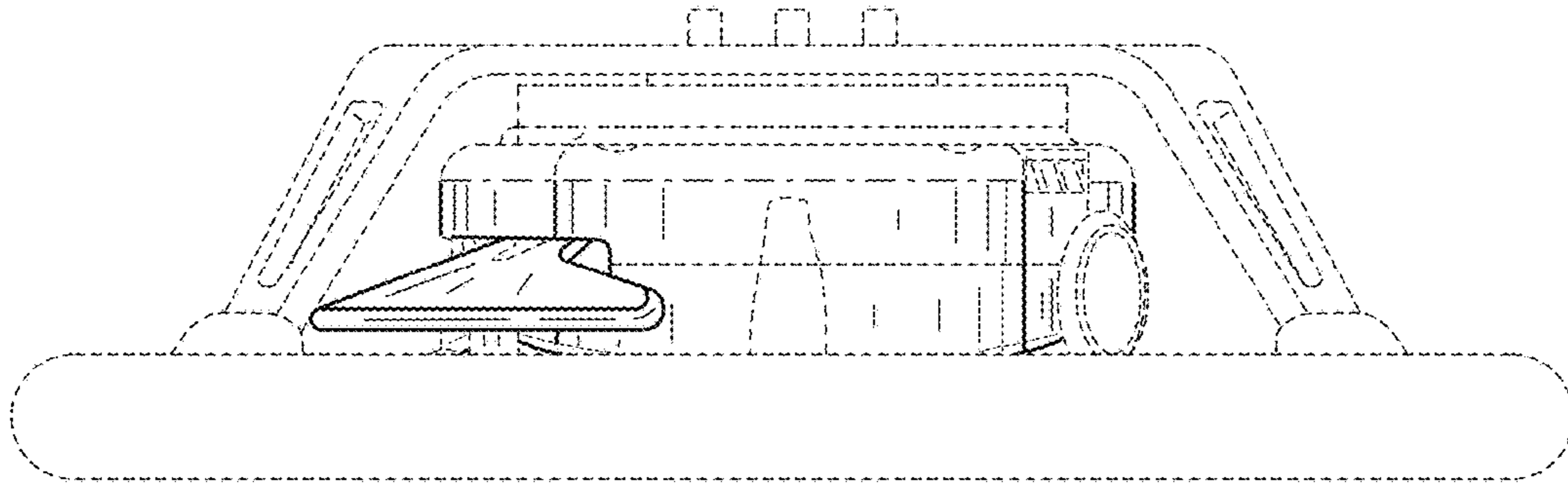


FIG. 5

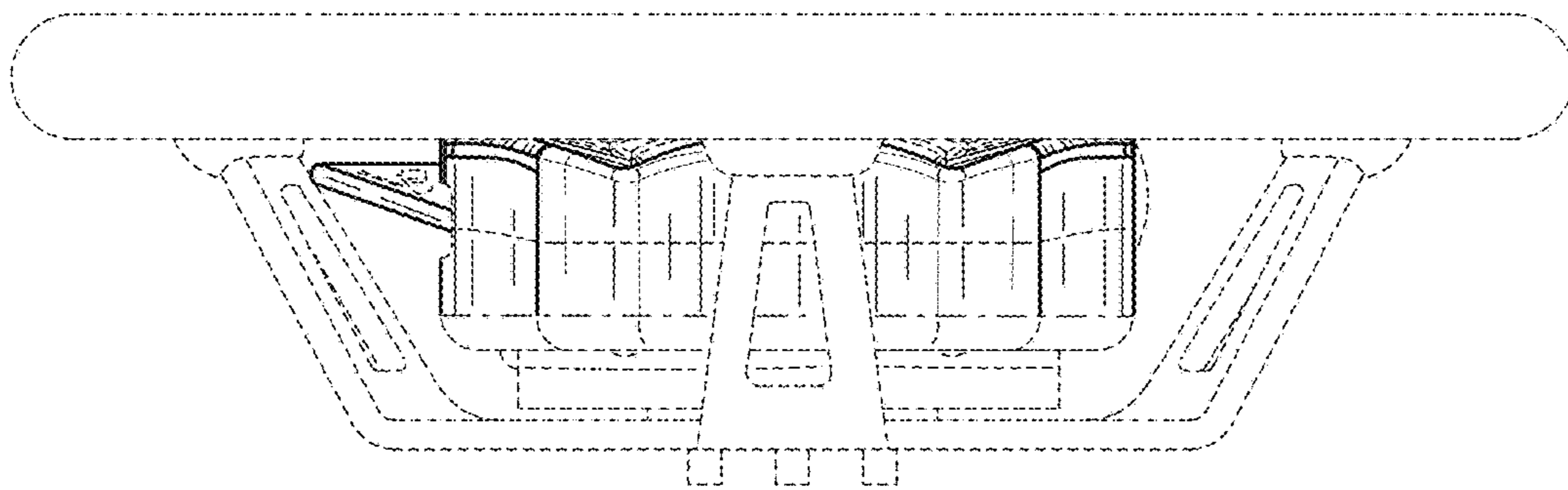


FIG. 6