



US00D825417S

(12) **United States Design Patent**
Zeng

(10) **Patent No.:** **US D825,417 S**

(45) **Date of Patent:** **** Aug. 14, 2018**

- (54) **BRUSH GUARD FOR AUTOMOBILE**
- (71) Applicant: **Sichuan Topfire Technology Co., Ltd,**
Chengdu, Sichuan (CN)
- (72) Inventor: **Cheng Zeng,** Sichuan (CN)
- (73) Assignee: **Sichuan Topfire Technology Co., Ltd,**
Chengdu, Sichuan (CN)
- (**) Term: **15 Years**
- (21) Appl. No.: **29/589,845**
- (22) Filed: **Jan. 5, 2017**
- (51) **LOC (11) Cl.** **12-16**
- (52) **U.S. Cl.**
USPC **D12/172**
- (58) **Field of Classification Search**
USPC D12/86, 90, 91, 92, 163, 169, 171, 196,
D12/216
CPC B60R 19/02; B60R 19/04; B62D 25/00;
B62D 25/06; B62D 25/08
See application file for complete search history.

D775,016 S *	12/2016	Reynolds	D12/171
D776,582 S *	1/2017	Bennett	D12/169
D777,618 S *	1/2017	Setina	D12/171
D777,619 S *	1/2017	Barajas	D12/167
D781,193 S *	3/2017	McMath	D12/196
D785,504 S *	5/2017	Higgs	D12/91
D792,817 S *	7/2017	McMath	D12/169
D792,818 S *	7/2017	McMath	D12/169
D793,304 S *	8/2017	McMath	D12/169
D794,519 S *	8/2017	McMath	D12/169
D796,399 S *	9/2017	Steen	D12/169
D800,036 S *	10/2017	Bennett	D12/169
D800,226 S *	10/2017	Zeng	D21/433
D801,892 S *	11/2017	Drever	D12/171
2017/0088076 A1 *	3/2017	Fujimoto	B60R 19/44
2017/0247014 A1 *	8/2017	Farooq	B60R 19/12
2017/0349227 A1 *	12/2017	Spindler	B62D 65/10

* cited by examiner

Primary Examiner — Marianne N Pandozzi
Assistant Examiner — Suzanne E Tisdell

(57) **CLAIM**

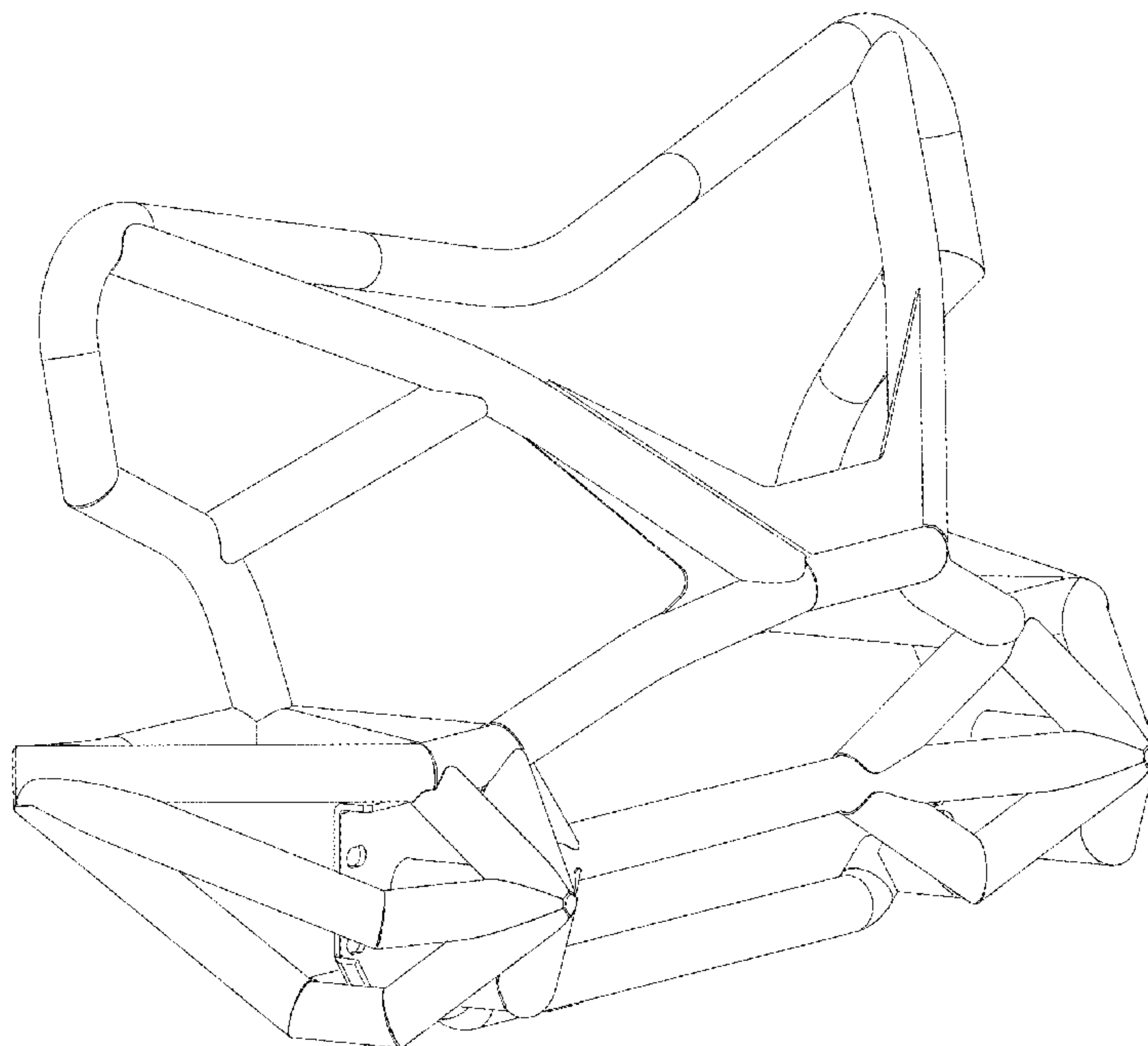
The ornamental design for a brush guard for an automobile, as shown and described.

DESCRIPTION

FIG. 1 is a perspective view of a brush guard for an automobile, showing my new design.
FIG. 2 is a front view thereof.
FIG. 3 is a left view thereof.
FIG. 4 is a right view thereof.
FIG. 5 is a top view thereof; and,
FIG. 6 is a bottom view thereof.
Feature shown in broken lines disclose environmental structures that form no part of the claimed design.

1 Claim, 5 Drawing Sheets

- (56) **References Cited**
U.S. PATENT DOCUMENTS
- | | | | | |
|--------------|---------|-----------|-------|---------|
| D722,927 S * | 2/2015 | Schroeder | | D12/171 |
| D726,605 S * | 4/2015 | Schroeder | | D12/171 |
| D741,233 S * | 10/2015 | Glover | | D12/169 |
| D744,384 S * | 12/2015 | Harriton | | D12/169 |
| D744,386 S * | 12/2015 | Harriton | | D12/169 |
| D744,387 S * | 12/2015 | Harriton | | D12/169 |
| D749,995 S * | 2/2016 | Azadi | | D12/163 |
| D760,133 S * | 6/2016 | Bennett | | D12/171 |
| D775,013 S * | 12/2016 | Bennett | | D12/169 |



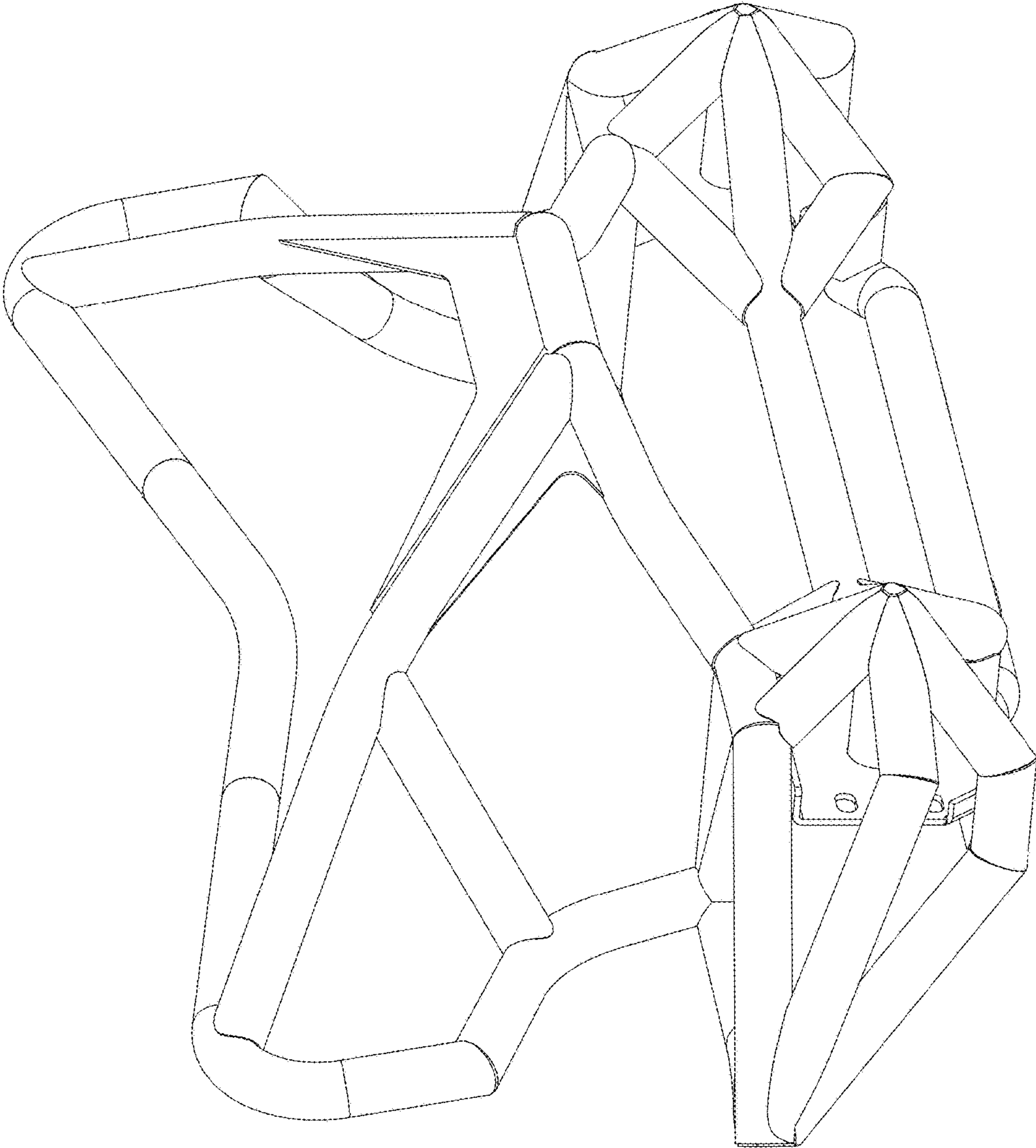


Fig. 1

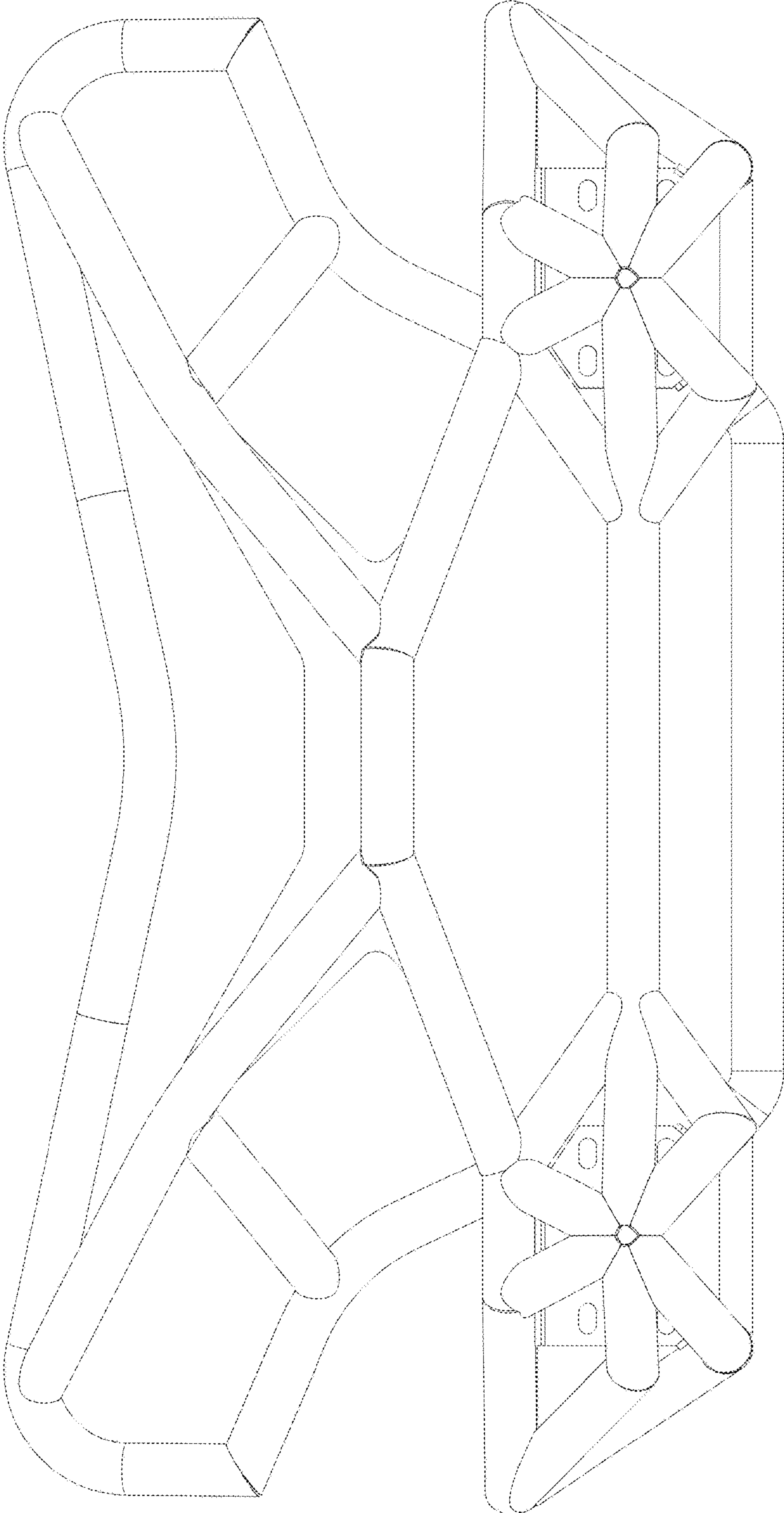


Fig. 2

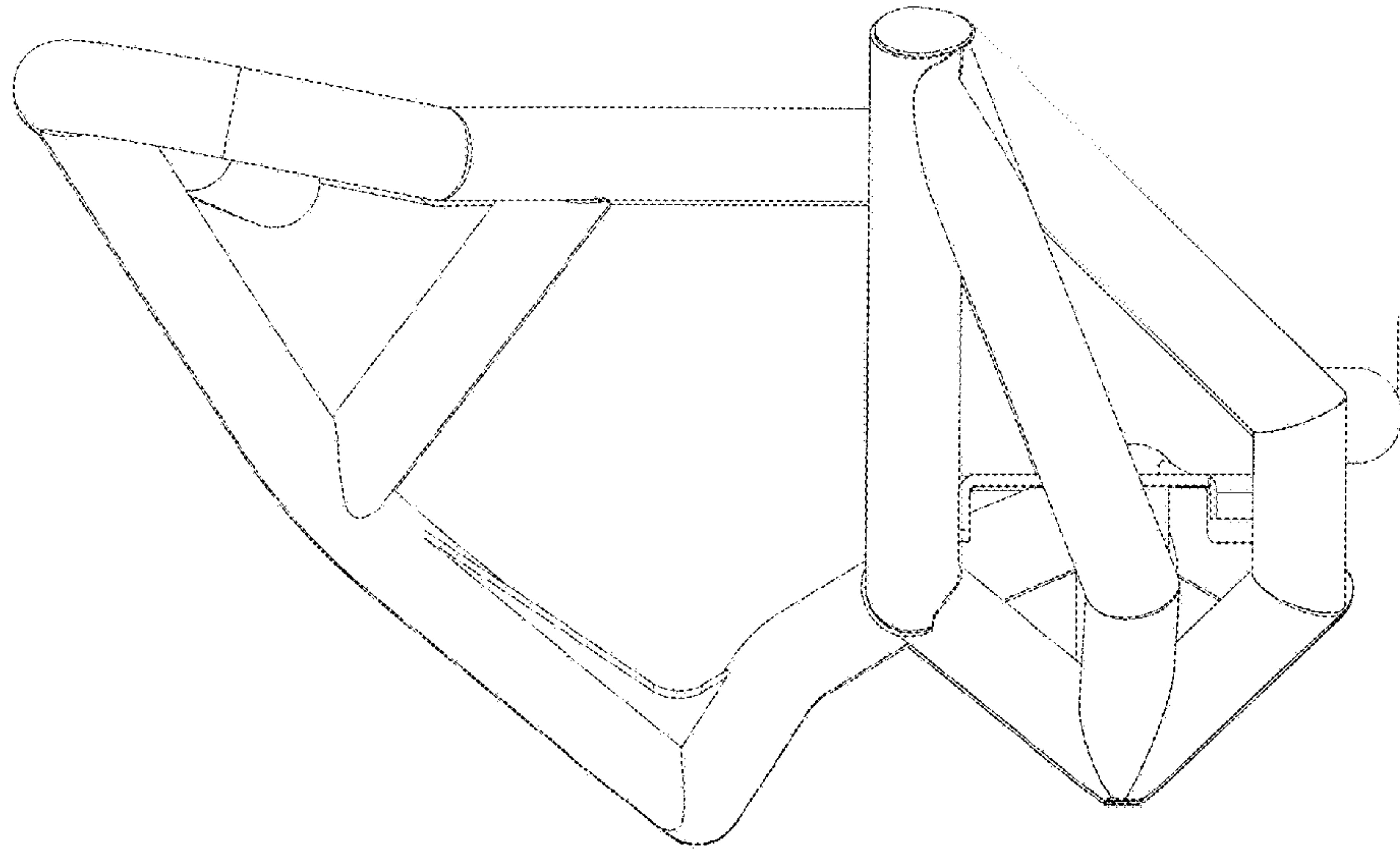


Fig. 4

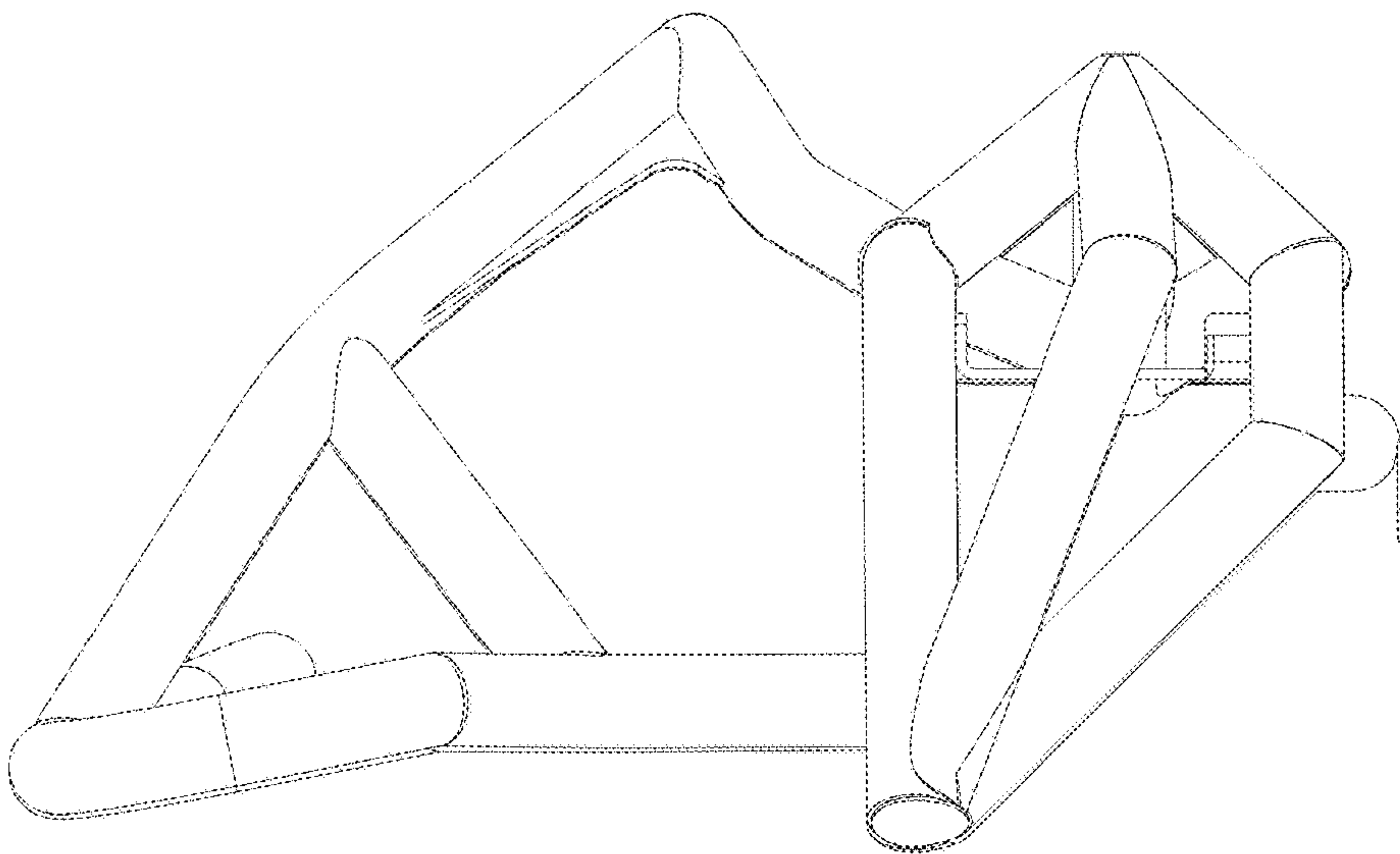


Fig. 3

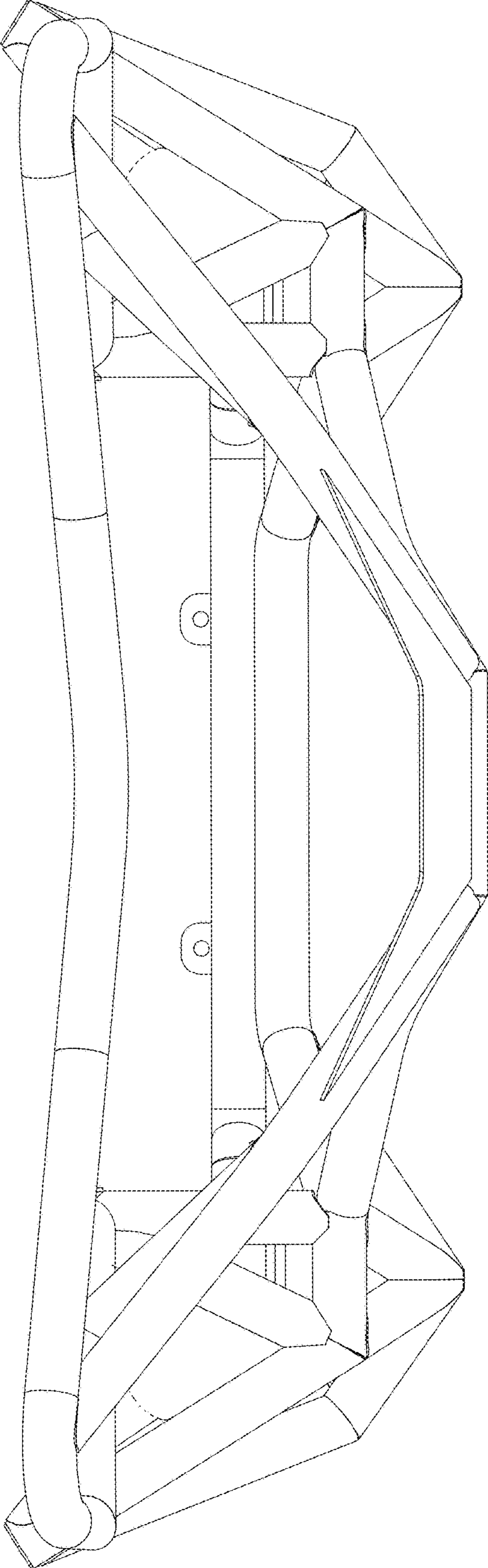


Fig. 5

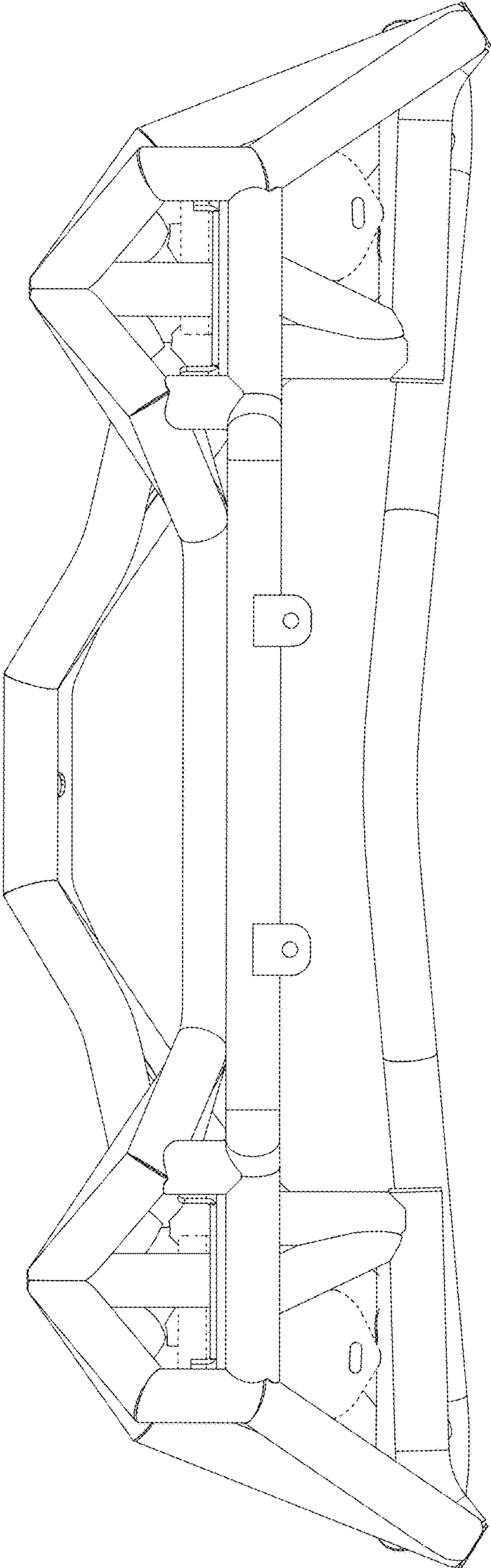


Fig. 6