



US00D825413S

(12) **United States Design Patent** (10) **Patent No.:** **US D825,413 S**
Luk (45) **Date of Patent:** **** Aug. 14, 2018**

(54) **REAR BUMPER FOR A VEHICLE**
(71) Applicant: **Bayerische Motoren Werke Aktiengesellschaft, Munich (DE)**

D801,885 S * 11/2017 Melikian D12/169
D813,114 S * 3/2018 Zurian D12/169
D813,742 S * 3/2018 McMahan D12/169

(72) Inventor: **Calvin Luk, Munich (DE)**
(73) Assignee: **Bayerische Motoren Werke Aktiengesellschaft, Munich (DE)**

FOREIGN PATENT DOCUMENTS

WO WO DM/065992 12/2004
WO WO DM/073061 8/2010
WO WO DM/082404 6/2014
WO WO DM/082796 8/2014
WO WO DM/084986 5/2015

(**) Term: **15 Years**
(21) Appl. No.: **29/605,295**

* cited by examiner
Primary Examiner — Melody N Brown
(74) *Attorney, Agent, or Firm* — Crowell & Moring LLP

(22) Filed: **May 25, 2017**
(30) **Foreign Application Priority Data**

(57) **CLAIM**

The ornamental design for a rear bumper for a vehicle, as shown and described.

Nov. 30, 2016 (DE) 40 2016 101 440

DESCRIPTION

(51) **LOC (11) Cl.** **12-16**
(52) **U.S. Cl.**
USPC **D12/169**

This application contains subject matter related to the following co-pending U.S. design patent applications: Application Ser. No. 29/605,288, filed herewith and entitled "Vehicle, Toy, and/or Replicas Thereof"; and Application Ser. No. 29/605,297, filed herewith and entitled "Rear Bumper for a Vehicle".

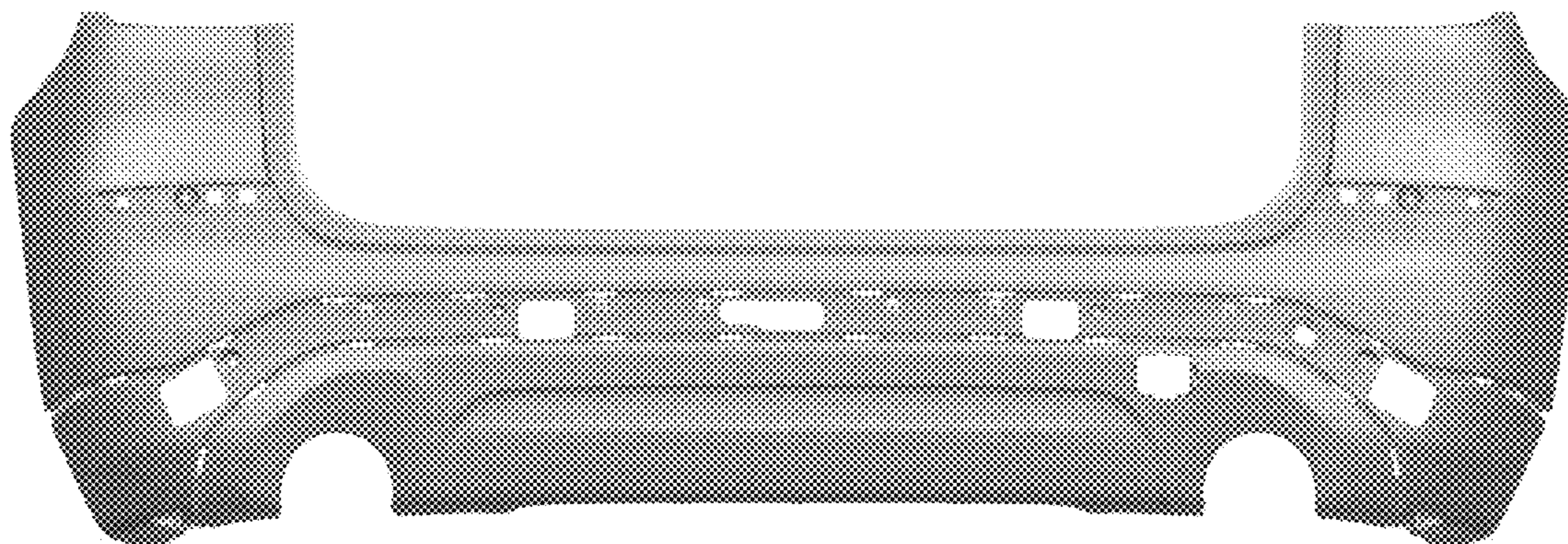
(58) **Field of Classification Search**
USPC D12/169, 216, 90-92, 86, 171, 196, 163; 293/102, 113, 115, 117, 120; 296/180.1, 296/180.2
CPC B60R 19/02; B60R 19/04; B62D 25/08
See application file for complete search history.

FIG. 1 is a front elevational view of a rear bumper for a vehicle showing my new design;
FIG. 2 is a top, front and left side perspective view thereof;
FIG. 3 is a front and right side perspective view thereof;
FIG. 4 is a left side elevational view thereof;
FIG. 5 is a right side elevational view thereof;
FIG. 6 is a top plan view thereof;
FIG. 7 is a bottom plan view thereof; and,
FIG. 8 is a rear elevational view thereof.

(56) **References Cited**
U.S. PATENT DOCUMENTS

D772,121 S 11/2016 Luk
D793,927 S * 8/2017 Potter D12/169
D797,617 S * 9/2017 Mori D12/169
D801,883 S * 11/2017 Fujiwara D12/169

1 Claim, 8 Drawing Sheets



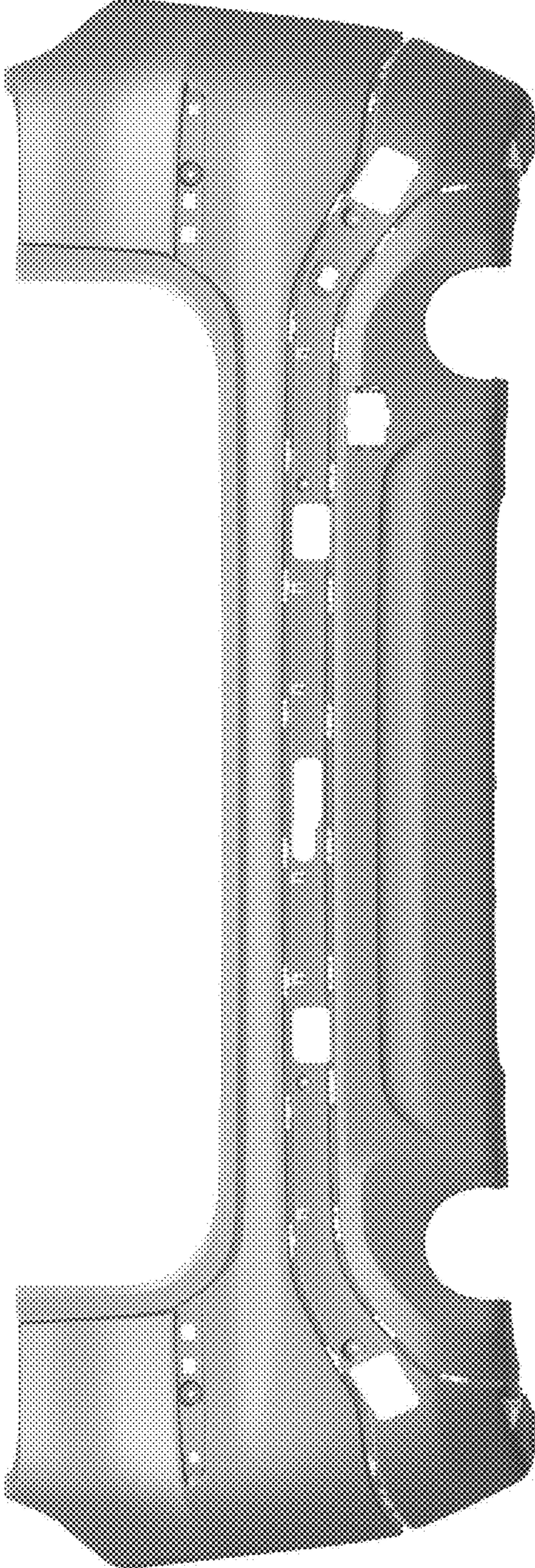


Fig. 1

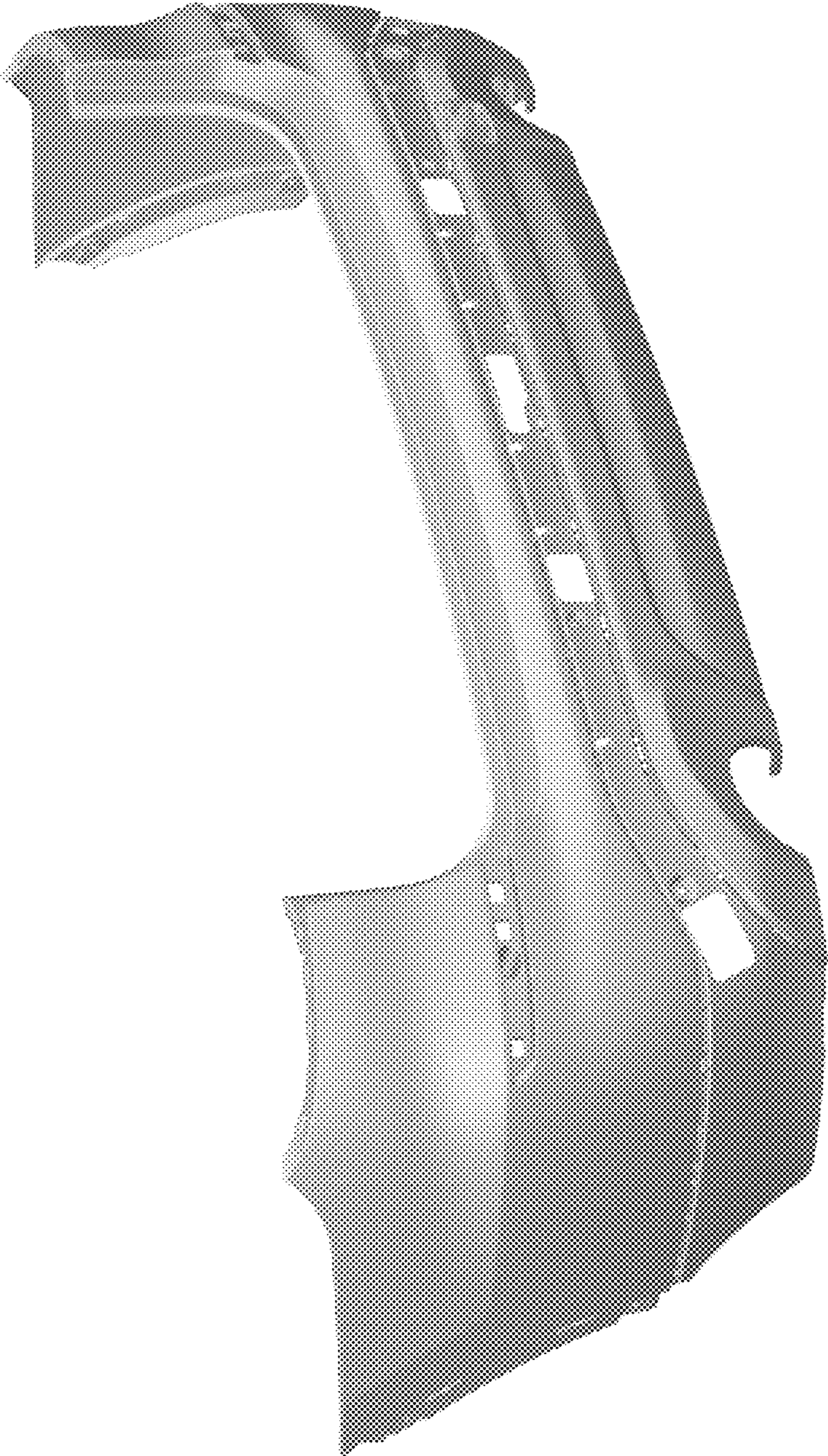


Fig. 2

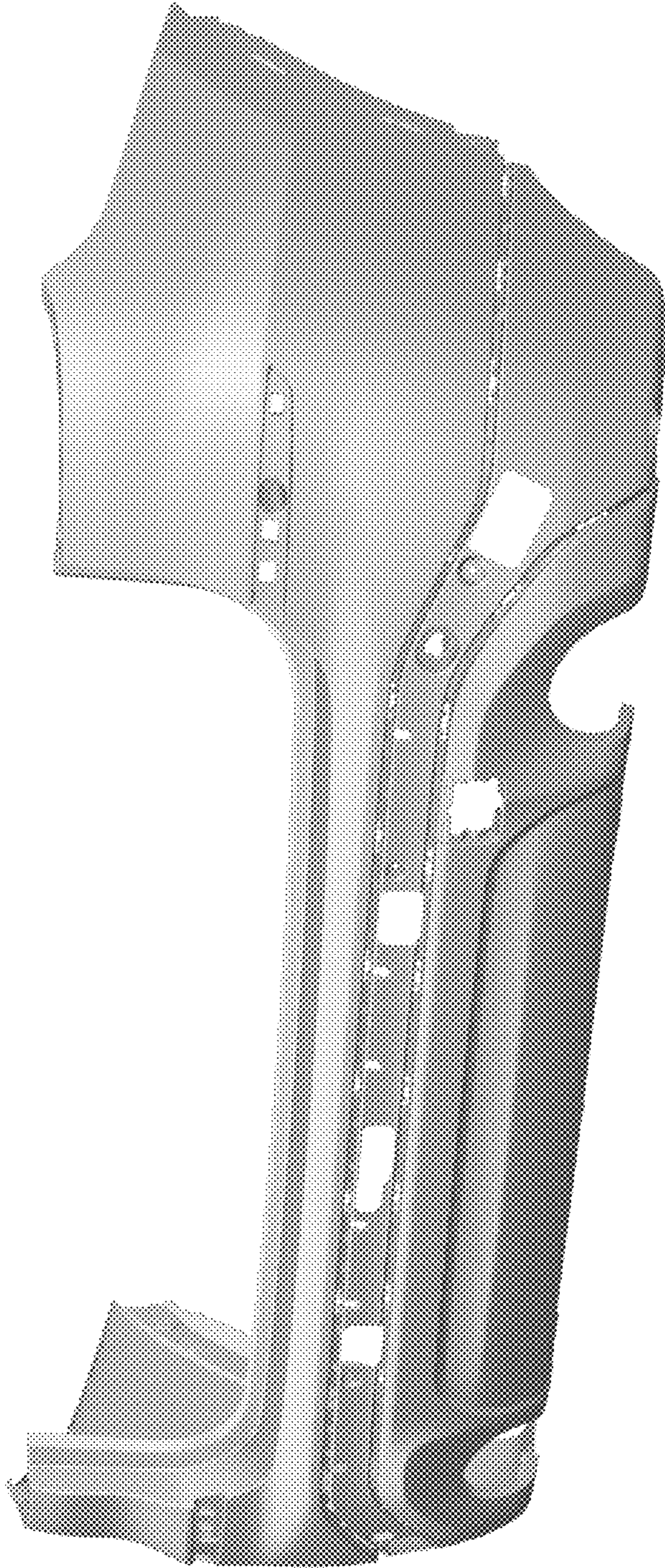


Fig. 3

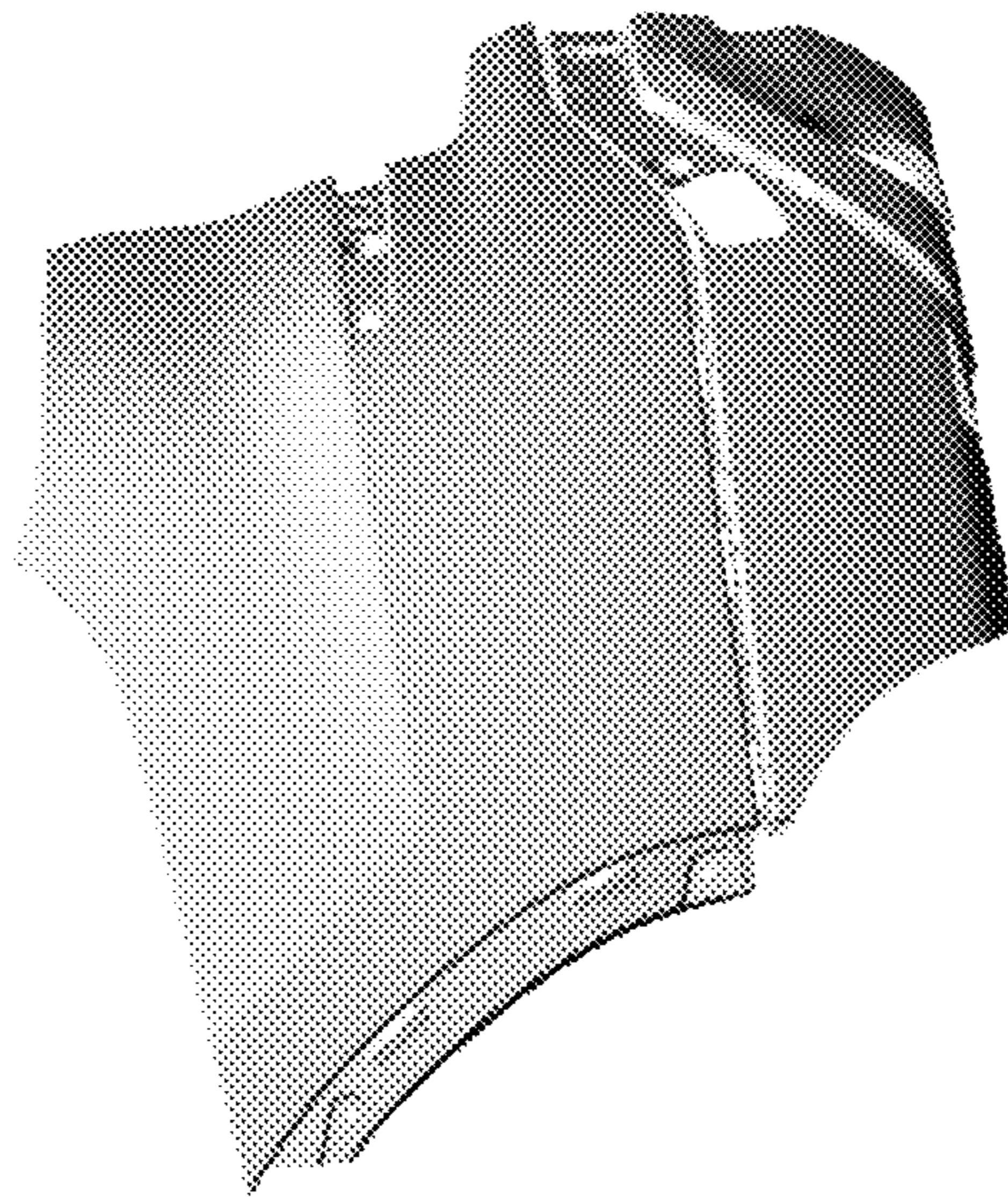


Fig. 4

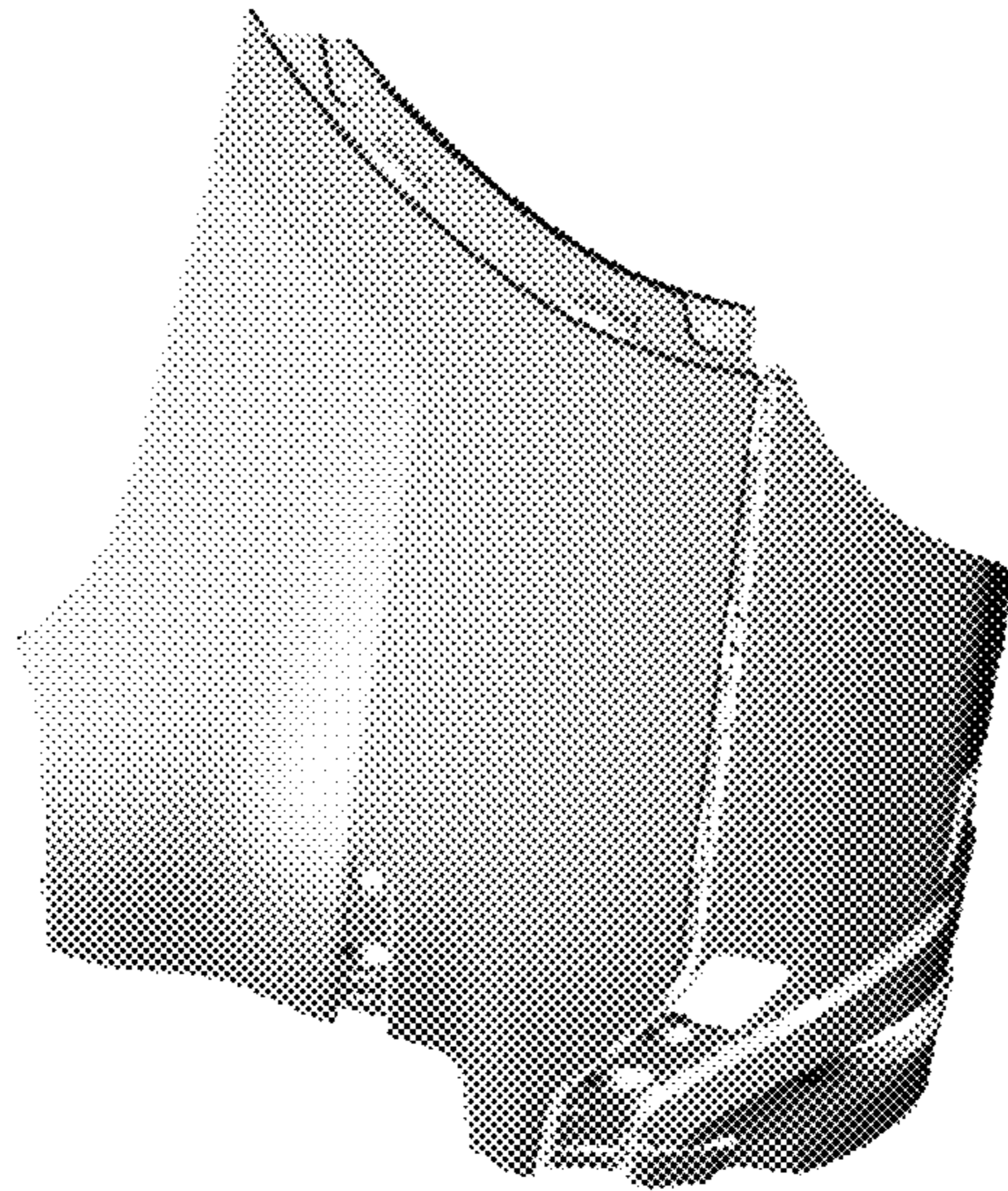


Fig. 5

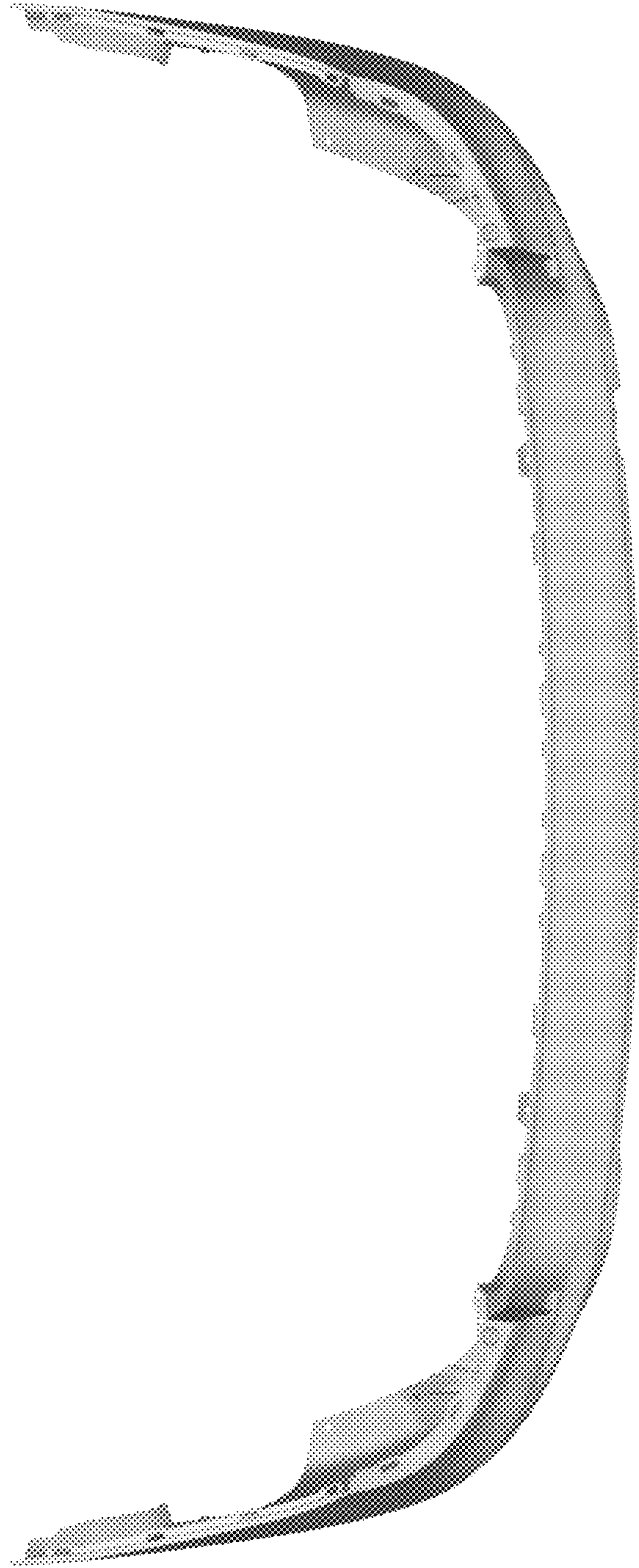


Fig. 6

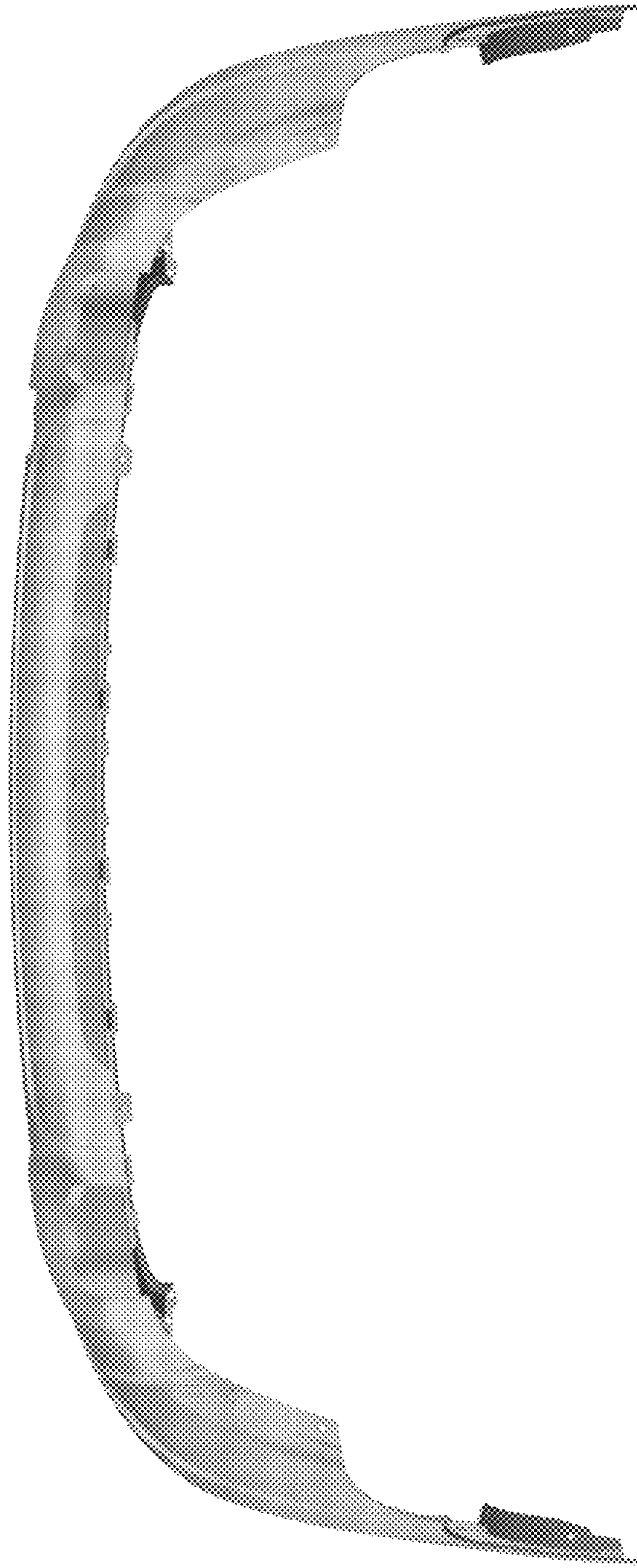


Fig. 7

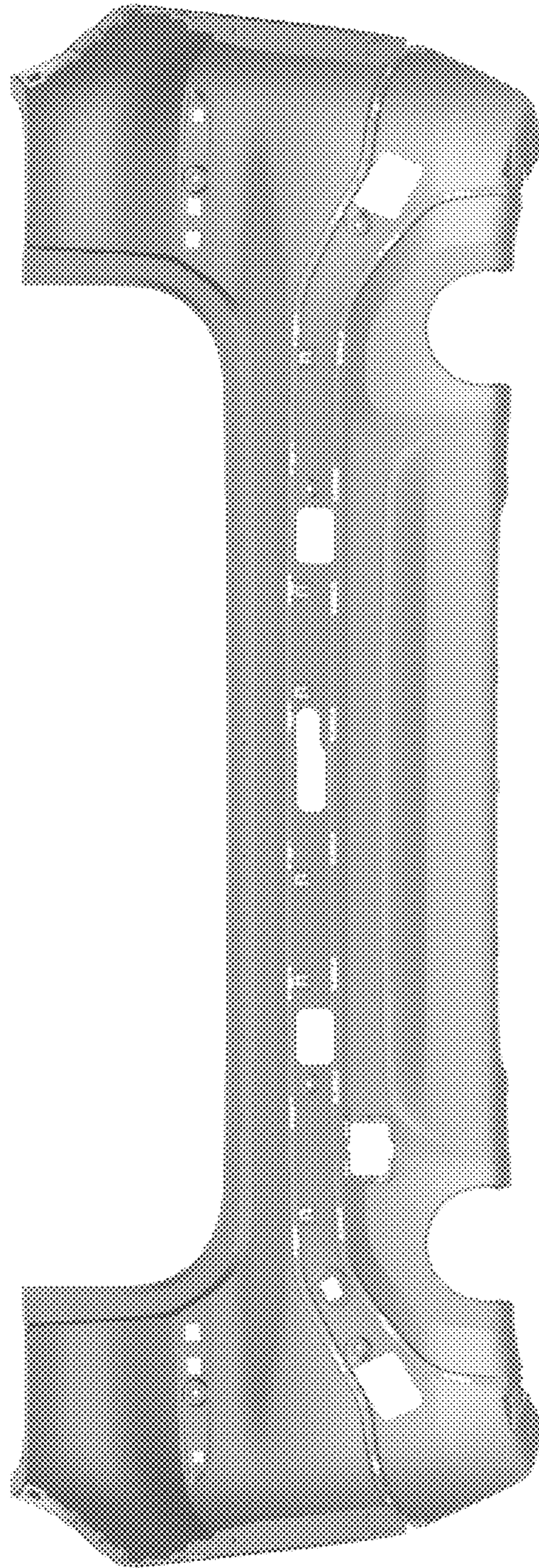


Fig. 8