



US00D825409S

(12) **United States Design Patent** (10) **Patent No.:** **US D825,409 S**
Kayakabe et al. (45) **Date of Patent:** **** Aug. 14, 2018**

(54) **BUMPER FOR MOTOR VEHICLE**
(71) Applicant: **Mazda Motor Corporation**, Hiroshima (JP)
(72) Inventors: **Ryouichi Kayakabe**, Hiroshima (JP); **Yorihiko Murakami**, Hiroshima (JP); **Tetsuji Kawakami**, Hiroshima (JP)
(73) Assignee: **MAZDA MOTOR CORPORATION**, Hiroshima (JP)

D715,708 S * 10/2014 Mays D12/169
D718,678 S * 12/2014 Ishizuka D12/169
D740,727 S * 10/2015 Nakamura D12/169
D746,188 S * 12/2015 Nakagawa D12/169
D748,544 S * 2/2016 Nissl D12/169
D766,784 S * 9/2016 Arroba D12/169
D773,351 S * 12/2016 Munakata D12/169
D773,352 S * 12/2016 Munakata D12/169
D773,353 S * 12/2016 Munakata D12/169
D783,468 S * 4/2017 Patel D12/164
D797,617 S * 9/2017 Mori D12/169
D801,883 S * 11/2017 Fujiwara D12/169
D808,871 S * 1/2018 Peat D12/169

(**) Term: **15 Years**

FOREIGN PATENT DOCUMENTS

(21) Appl. No.: **29/598,752**
(22) Filed: **Mar. 28, 2017**
(51) **LOC (11) Cl.** **12-16**
(52) **U.S. Cl.**
USPC **D12/169**
(58) **Field of Classification Search**
USPC D12/169, 216, 90-92, 86, 171, 196, 163;
293/102, 113, 115, 117, 120; 296/180.1,
296/180.2
CPC B60R 19/02; B60R 19/04; B62D 25/08
See application file for complete search history.

JP D1446731 S 7/2014

* cited by examiner

Primary Examiner — Melody N Brown

(74) *Attorney, Agent, or Firm* — Studebaker & Brackett PC

(56) **References Cited**

U.S. PATENT DOCUMENTS

D598,824 S * 8/2009 Bauer D12/169
D610,504 S * 2/2010 Bucher D12/169
D630,976 S * 1/2011 Clottu D12/169
D644,575 S * 9/2011 Messale D12/169
D659,605 S * 5/2012 Varga D12/169
D671,049 S * 11/2012 Davidson D12/169
D688,989 S 9/2013 Minamisawa et al.
D690,631 S * 10/2013 Kazama D12/169
D698,290 S * 1/2014 Mori D12/169
D703,592 S * 4/2014 Kwon D12/169
D713,304 S * 9/2014 Tsuchida D12/169
D714,196 S * 9/2014 Mays D12/169

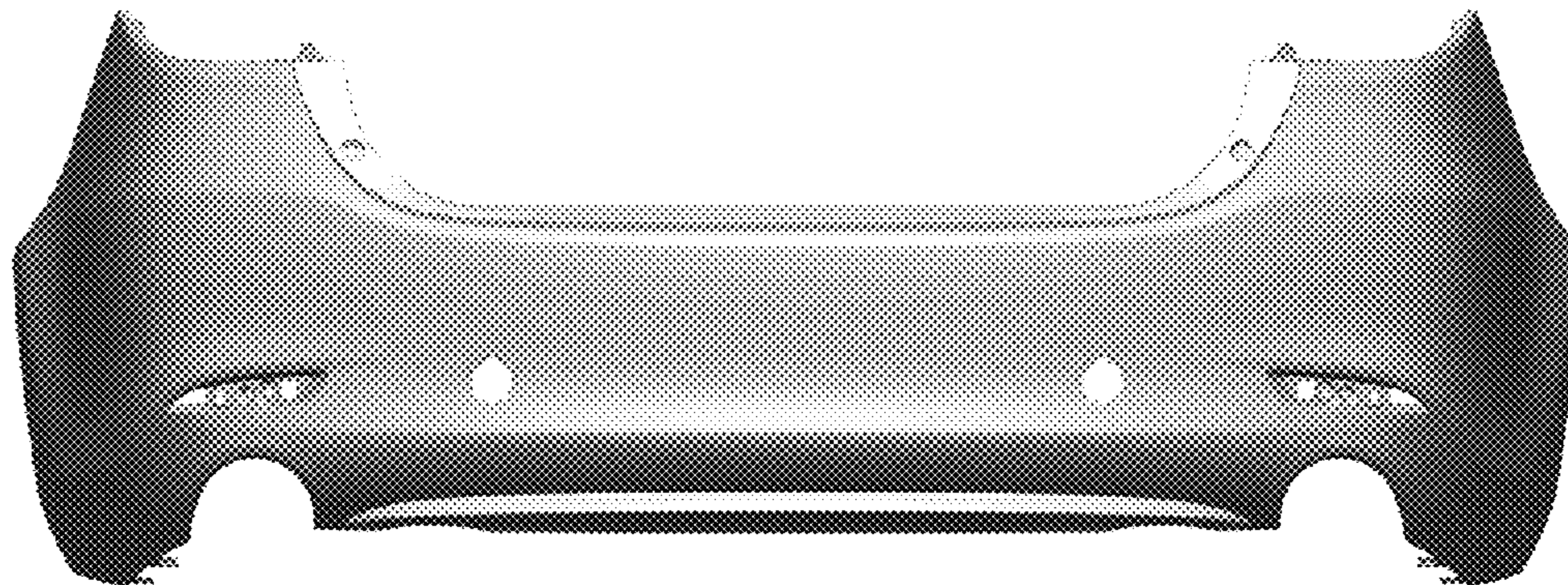
(57) **CLAIM**

The ornamental design for a bumper for motor vehicle, as shown and described.

DESCRIPTION

FIG. 1 is a top, front and right side perspective view of a bumper for motor vehicle showing our new design;
FIG. 2 is a bottom, front and right side perspective view thereof;
FIG. 3 is a rear perspective view thereof;
FIG. 4 is a front view thereof;
FIG. 5 is a rear view thereof;
FIG. 6 is a left side elevational view thereof, the right side being a mirror image thereof;
FIG. 7 is a top view thereof; and,
FIG. 8 is a bottom view thereof.

1 Claim, 5 Drawing Sheets



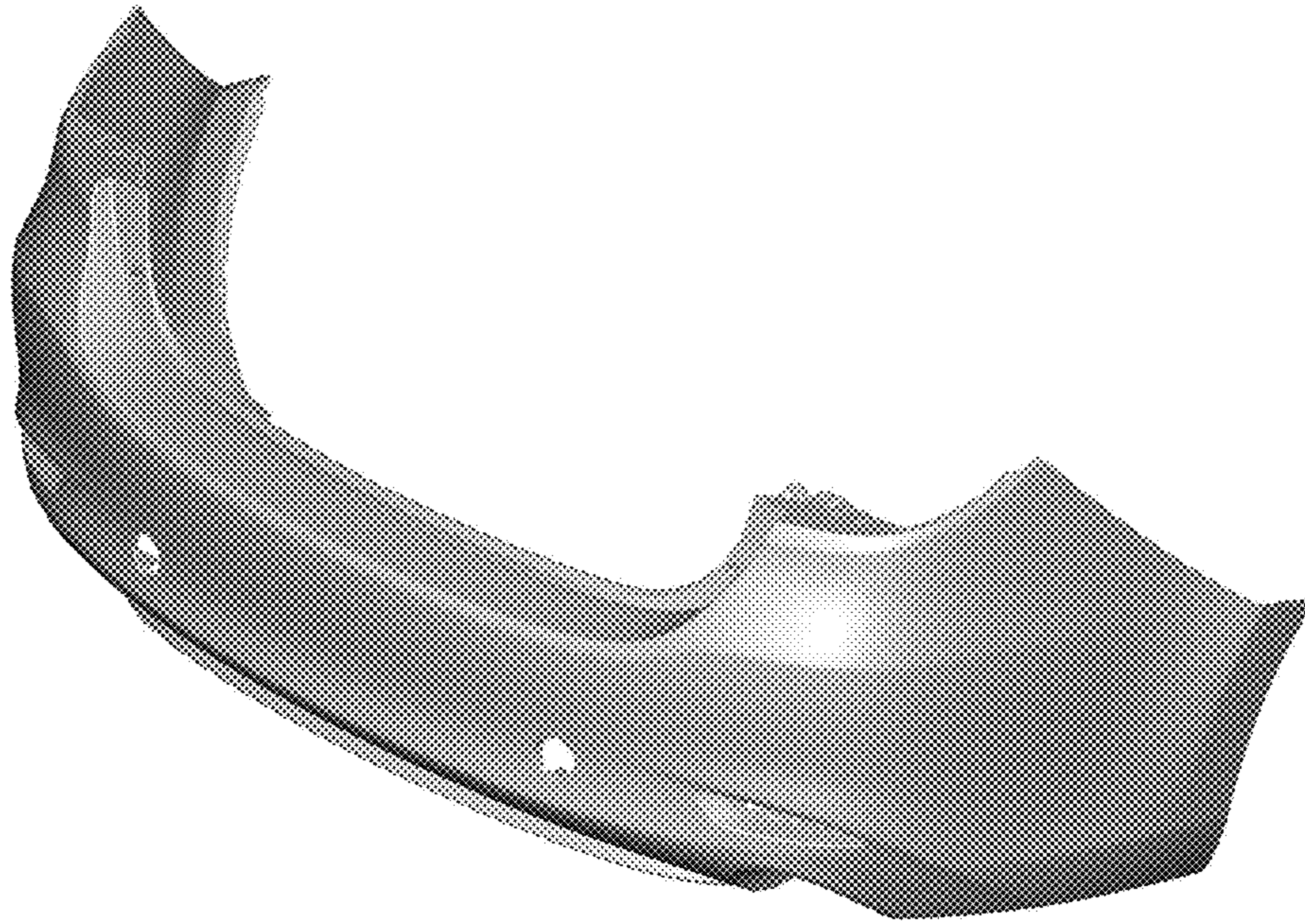


FIG.1

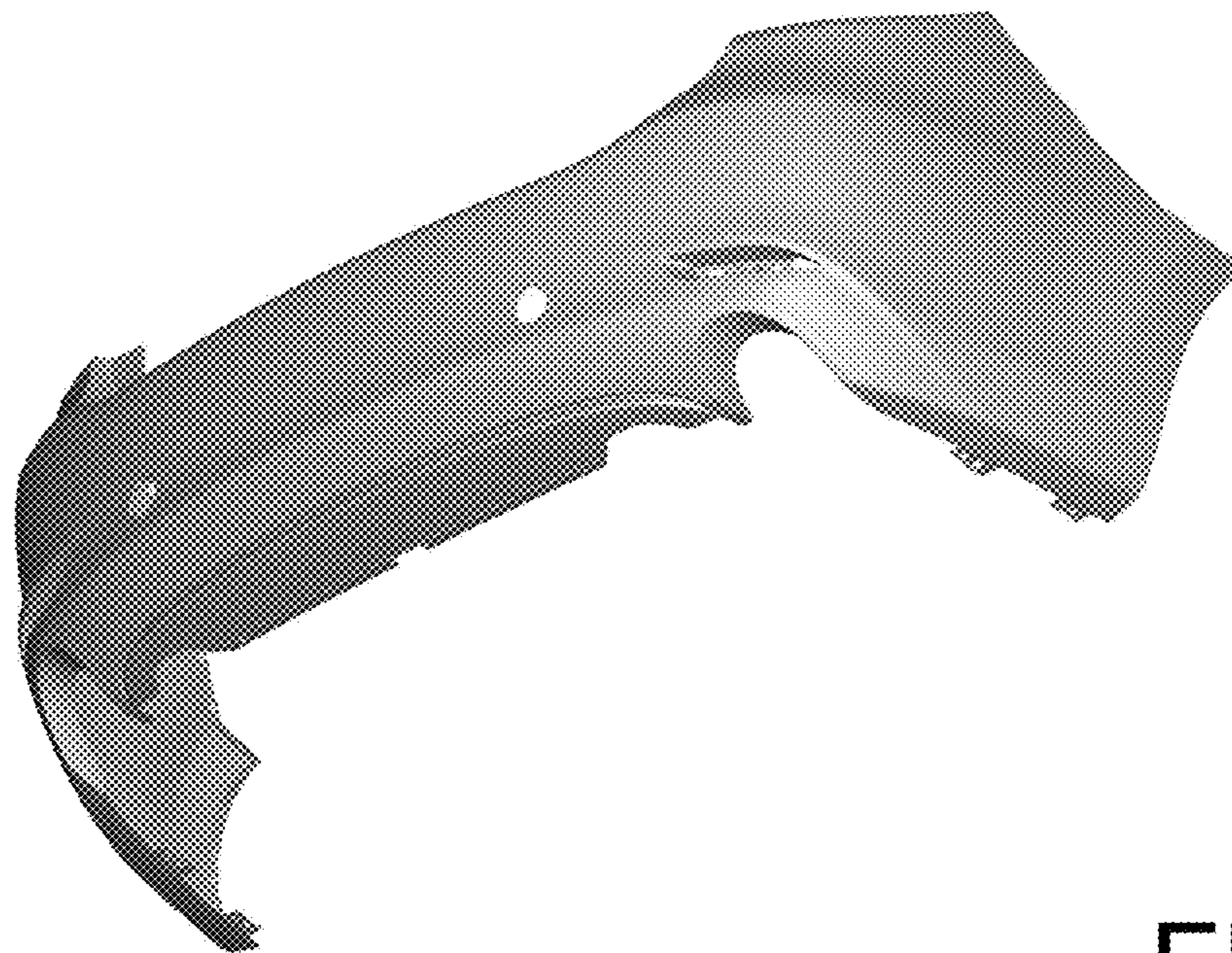


FIG.2



FIG.3

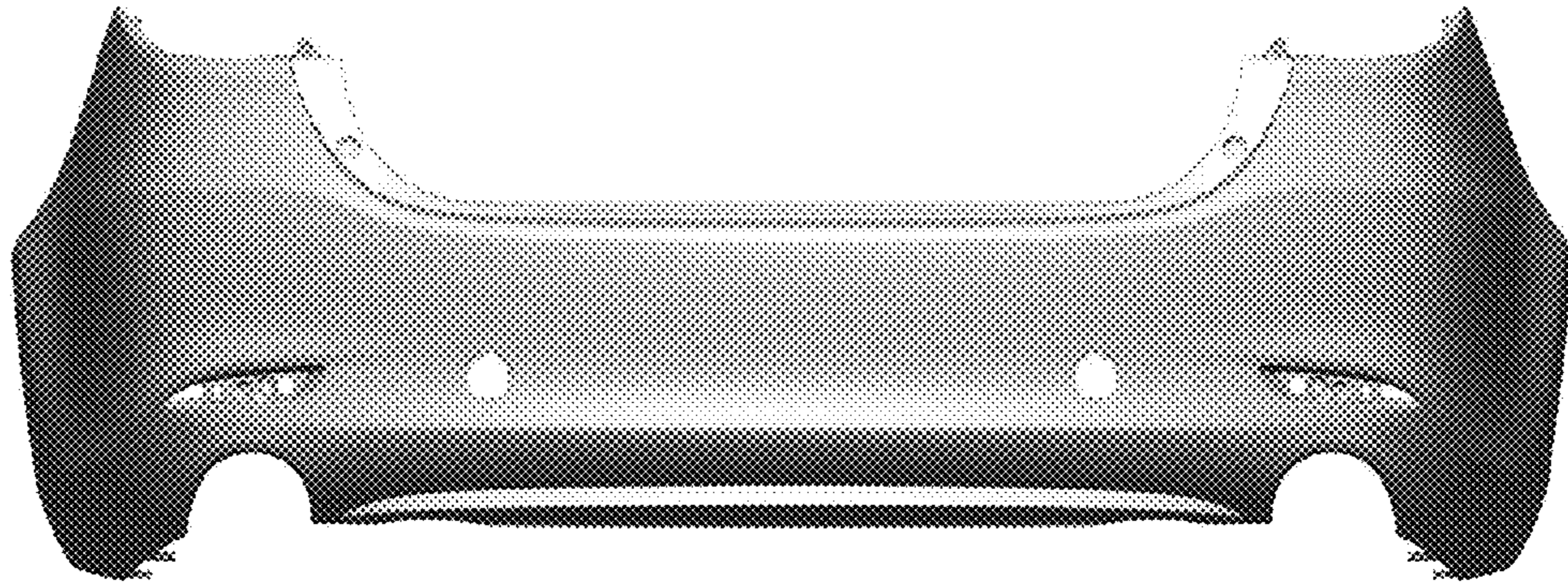


FIG. 4

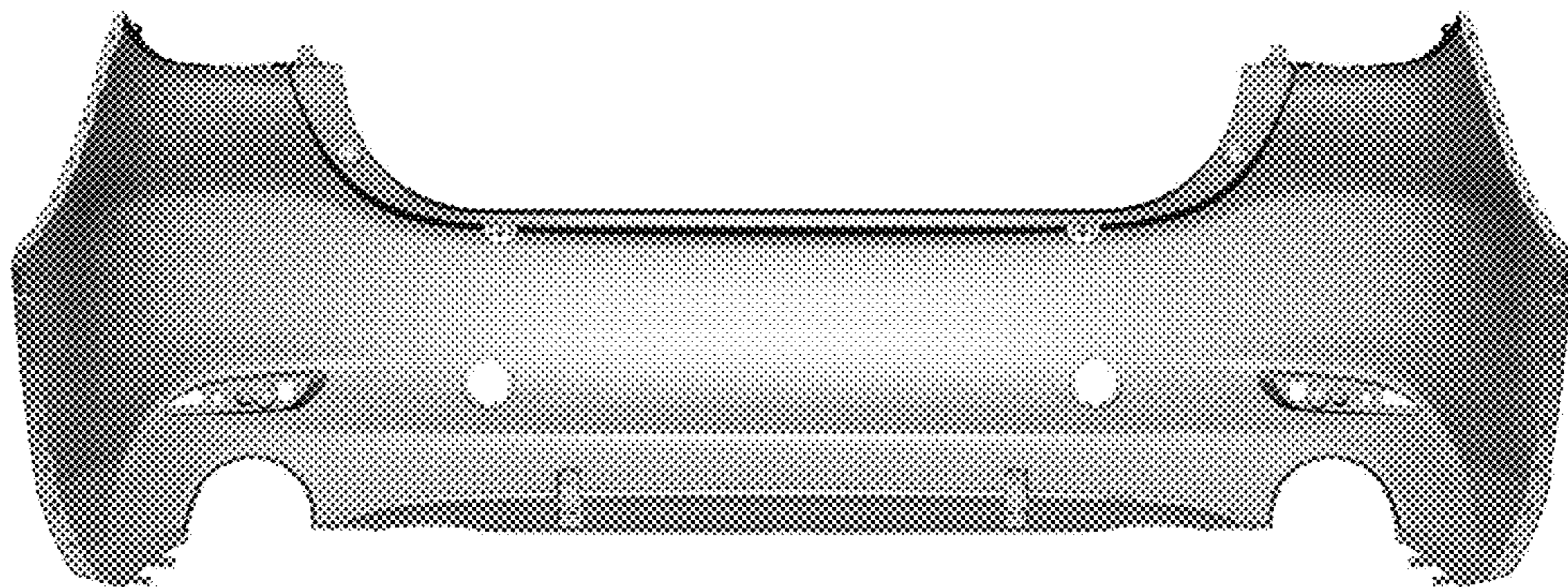


FIG. 5

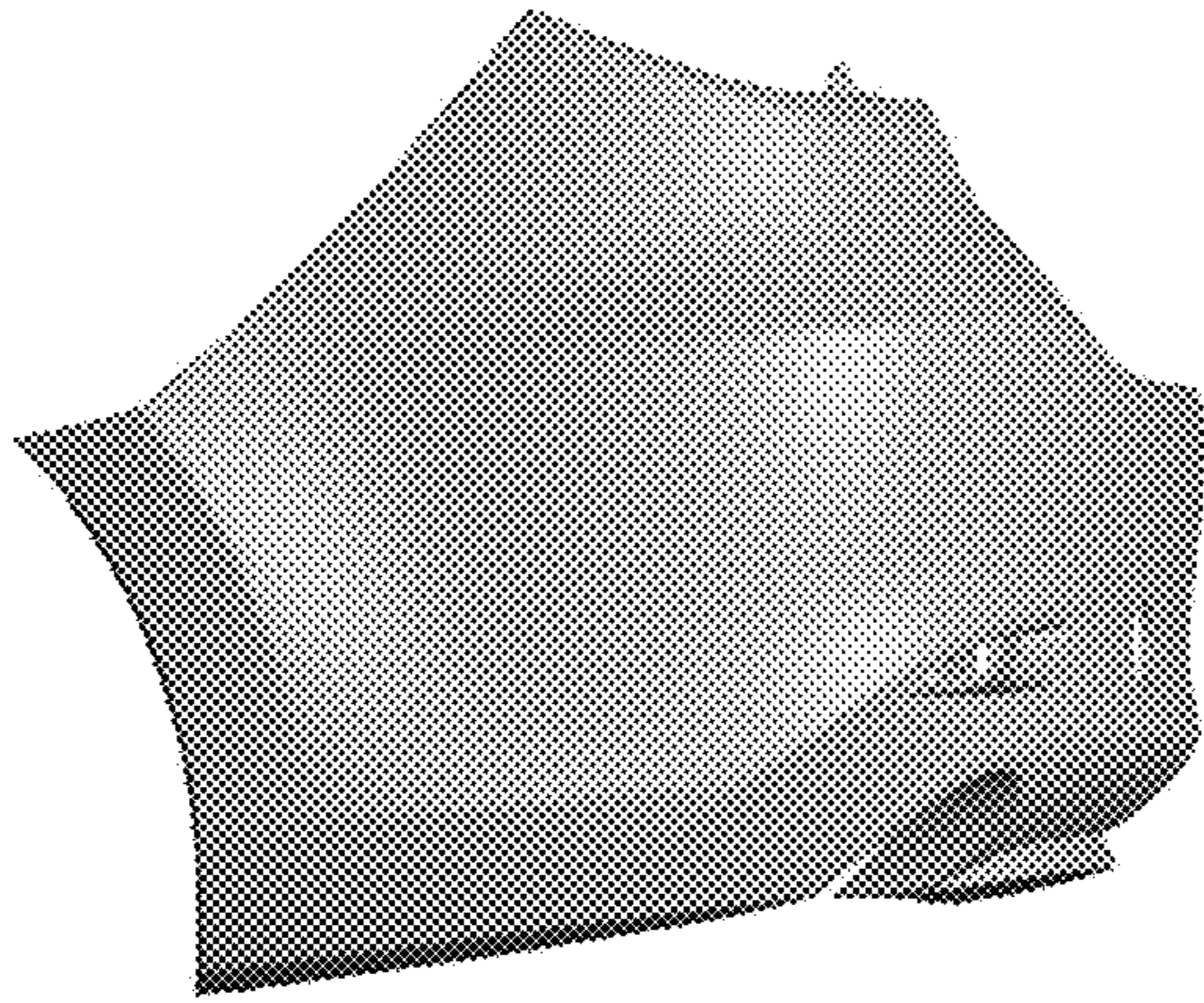


FIG.6

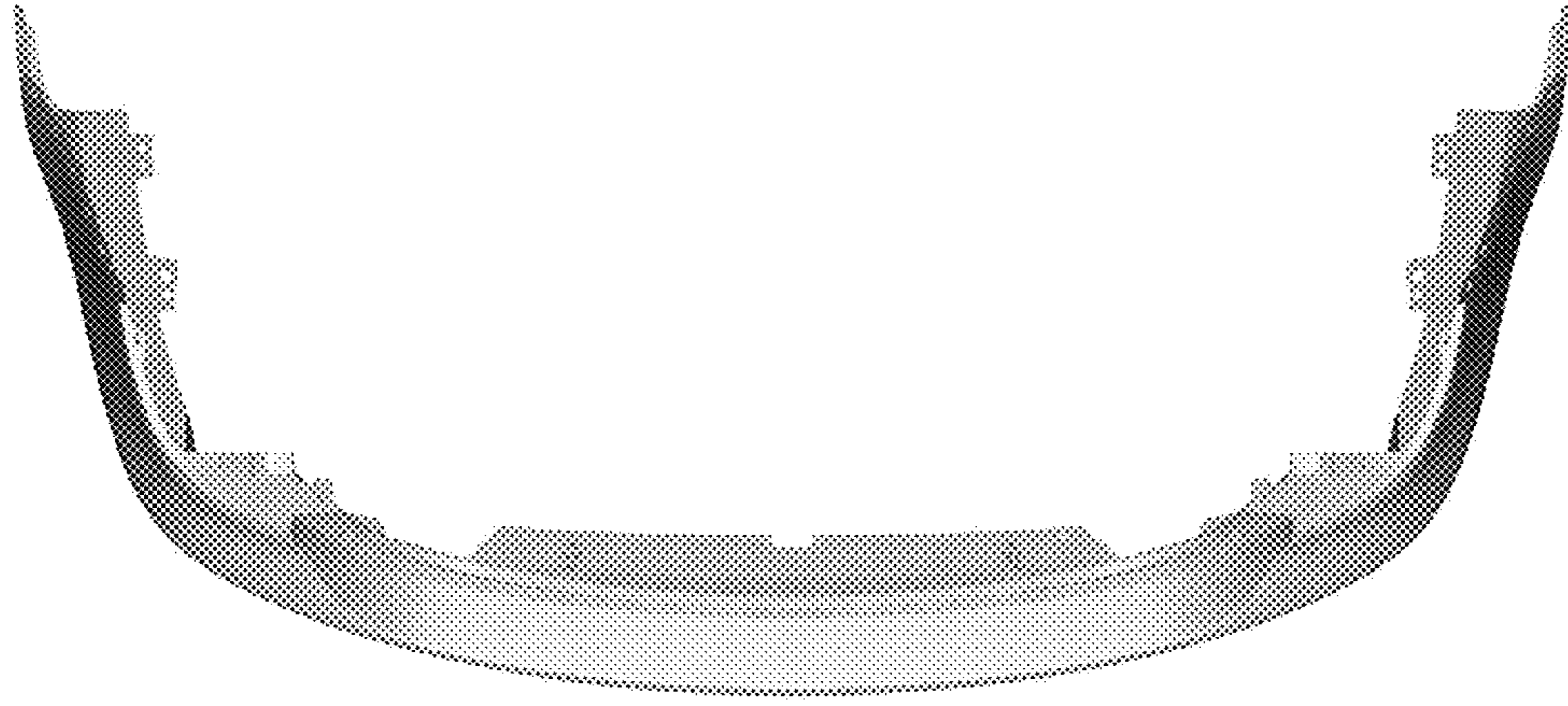


FIG. 7

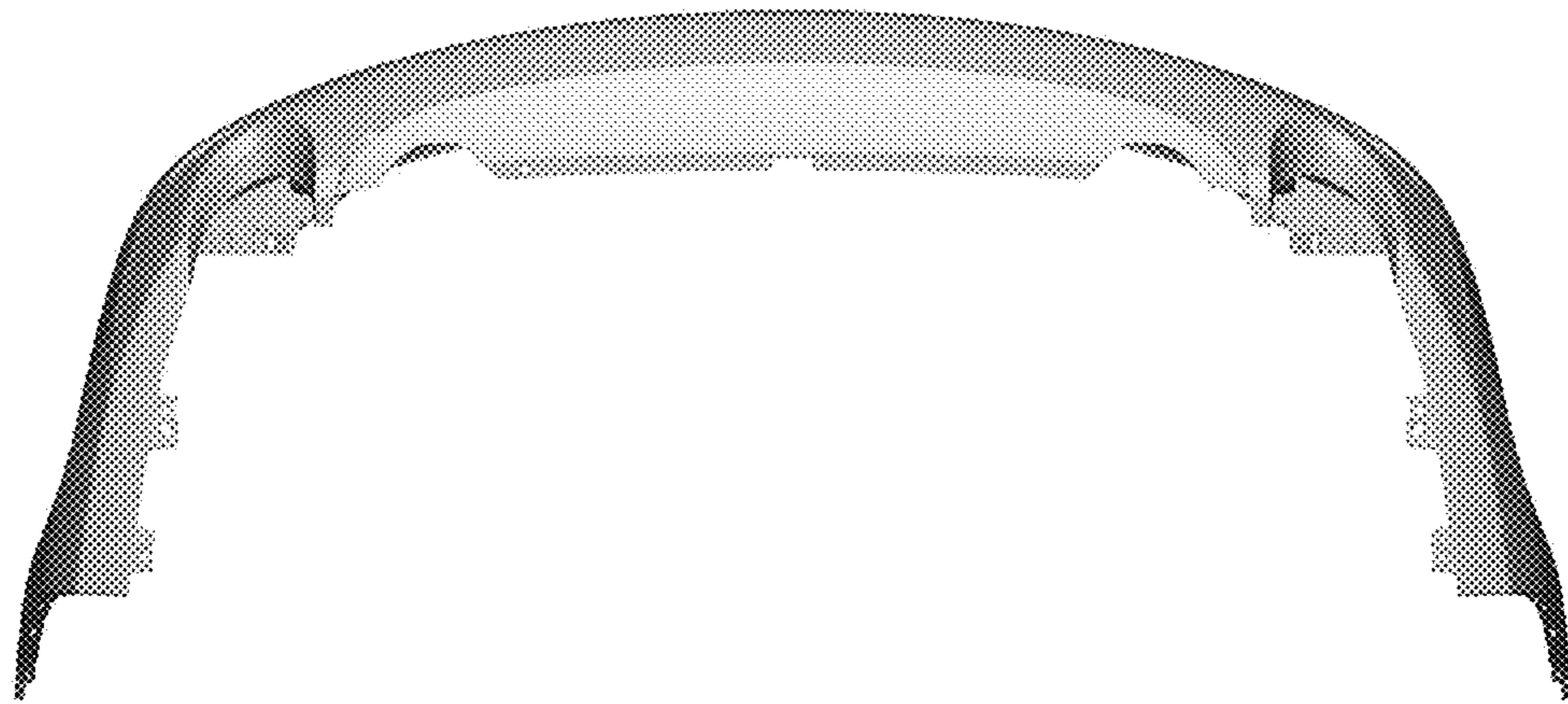


FIG. 8