



US00D825408S

(12) **United States Design Patent** (10) **Patent No.:** **US D825,408 S**  
**Bucher et al.** (45) **Date of Patent:** **\*\* Aug. 14, 2018**

(54) **VEHICLE FRONT LOWER BUMPER COVER**

(71) Applicant: **Ford Global Technologies, LLC,**  
Dearborn, MI (US)

(72) Inventors: **George Bucher,** Dearborn, MI (US);  
**Dean Carbis,** Bloomfield Hills, MI  
(US); **Shawn Yu,** Canton, MI (US)

(73) Assignee: **Ford Global Technologies, LLC,**  
Dearborn, MI (US)

(\*\*) Term: **15 Years**

(21) Appl. No.: **29/583,148**

(22) Filed: **Nov. 2, 2016**

(51) **LOC (11) Cl.** ..... **12-16**

(52) **U.S. Cl.**  
USPC ..... **D12/169**

(58) **Field of Classification Search**  
USPC ..... D12/86, 90, 91, 92, 163, 169, 171, 196,  
D12/216; D3/318

CPC ..... B60R 19/02; B60R 19/04; B62D 25/00;  
B62D 25/06; B62D 25/08; B62D 35/00;  
A45C 13/08; A45F 5/10

See application file for complete search history.

(56) **References Cited**

**U.S. PATENT DOCUMENTS**

D698,708 S \* 2/2014 Rupar ..... D12/169  
D701,800 S \* 4/2014 Campbell ..... D12/169  
D711,653 S \* 8/2014 Pacetti ..... D3/318  
D712,322 S \* 9/2014 Kobayashi ..... D12/169  
D712,805 S \* 9/2014 Murkett ..... D12/169  
D742,119 S \* 11/2015 Batista ..... D3/318  
D744,915 S \* 12/2015 Curic ..... D12/169  
D751,003 S \* 3/2016 Rupar ..... D12/163  
D751,007 S \* 3/2016 Curic ..... D12/169  
D753,036 S \* 4/2016 Curic ..... D12/169  
D758,259 S \* 6/2016 Messale ..... D12/169  
D762,147 S \* 7/2016 Messale ..... D12/169  
D763,143 S \* 8/2016 Varga ..... D12/169

D763,744 S \* 8/2016 Behmer ..... D12/169  
D771,536 S \* 11/2016 Wolff ..... D12/169  
D775,038 S \* 12/2016 Frascella ..... D12/169  
D776,021 S \* 1/2017 Kapitonov ..... D12/169  
D781,586 S \* 3/2017 Reinhart ..... D3/318  
D781,587 S \* 3/2017 Mangano ..... D3/318  
D793,294 S \* 8/2017 Lee ..... D12/169

(Continued)

**FOREIGN PATENT DOCUMENTS**

CN 201130309601.8 3/2012  
CN 201130310682.3 4/2012

**OTHER PUBLICATIONS**

Brad Anderson <http://www.carscoops.com/2016/02/ford-ecosport-tipped-to-reach-us-shores.html> Ford EcoSport Tipped to Reach US Shores, dated Feb. 13, 2016.

(Continued)

*Primary Examiner* — Susan Bennett Hattan

*Assistant Examiner* — Suzanne E Tisdell

(74) *Attorney, Agent, or Firm* — James Dottavio

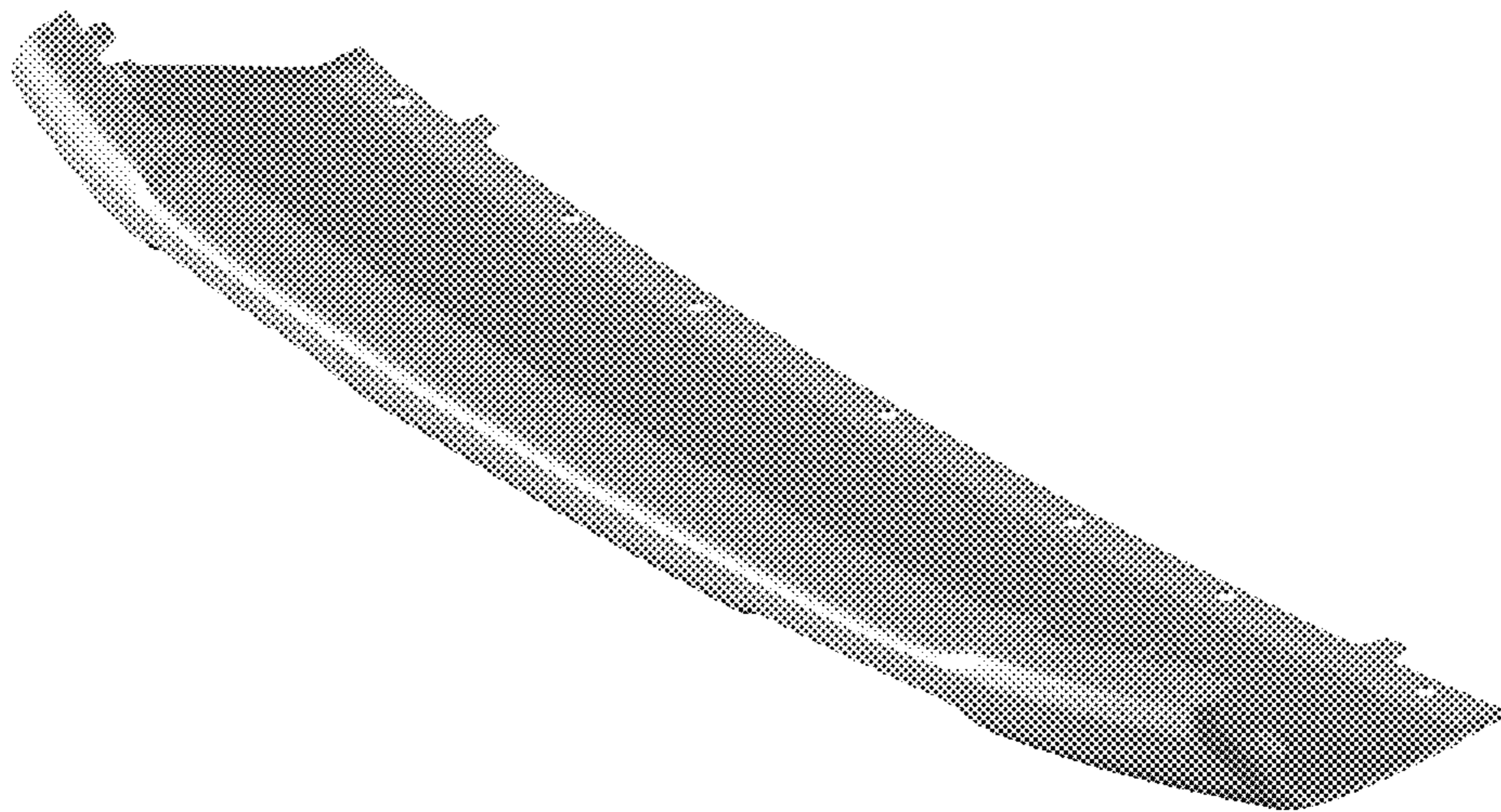
(57) **CLAIM**

The ornamental design for a vehicle front lower bumper cover, as shown.

**DESCRIPTION**

FIG. 1 is a top left perspective view of a vehicle front lower bumper cover, showing our new design;  
FIG. 2 is a bottom left perspective view thereof;  
FIG. 3 is a top rear perspective view thereof;  
FIG. 4 is a front elevational view thereof;  
FIG. 5 is a rear elevational view thereof;  
FIG. 6 is a left side elevational view thereof;  
FIG. 7 is a right side elevational view thereof;  
FIG. 8 is a top plan view thereof; and,  
FIG. 9 is a bottom plan view thereof.

**1 Claim, 9 Drawing Sheets**



(56)

**References Cited**

U.S. PATENT DOCUMENTS

D793,295 S \* 8/2017 McCabe ..... D12/169  
D797,456 S \* 9/2017 Chen ..... D3/318  
D797,616 S \* 9/2017 Lee ..... D12/169  
D800,621 S \* 10/2017 Bucher ..... D12/196  
D801,236 S \* 10/2017 Kozub ..... D12/169  
D803,738 S \* 11/2017 Granlund ..... D12/169  
D807,255 S \* 1/2018 Piscitelli ..... D12/169

OTHER PUBLICATIONS

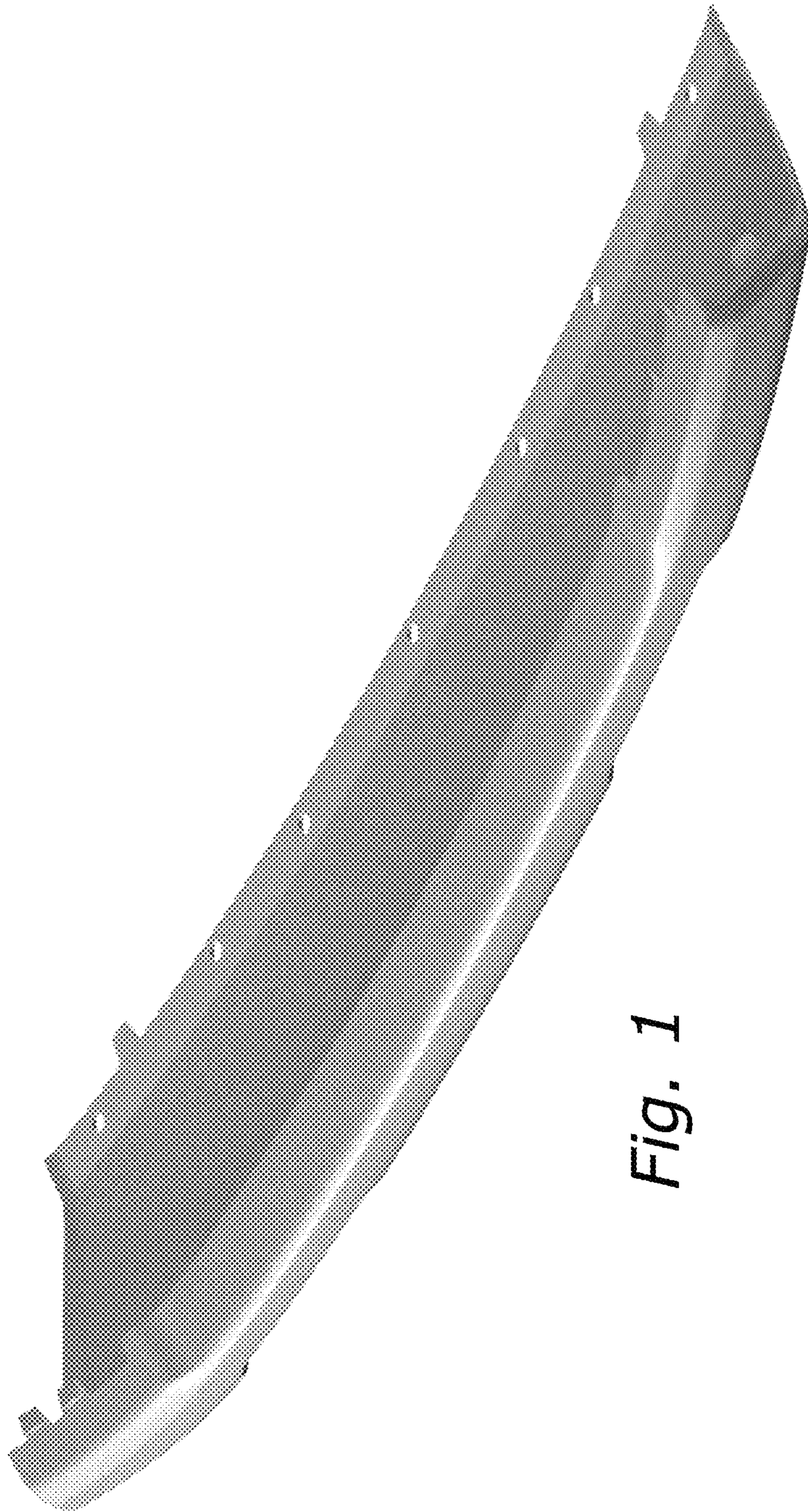
Unknown <http://www.2017suv.net/2018-ford-ecosport-release-2017-in-usa/> 2018 Ford EcoSport Release 2017 in USA dated Feb. 20, 2016.

Brandon Turkus <http://www.autoblog.com/2016/04/25/ford-ecosport-spy-shots-us/> Ford EcoSport spotted in US with Escape-inspired face dated Apr. 25, 2016.

Unknown <http://www.oncars.in/car-news/spotting-2017-ford-ecosport-reveals-front-facia-india-launch-by-next-year/10372>

Spotted: 2017 Ford EcoSport reveals front facia; India launch by next year dated Apr. 28, 2016.

\* cited by examiner



*Fig. 1*

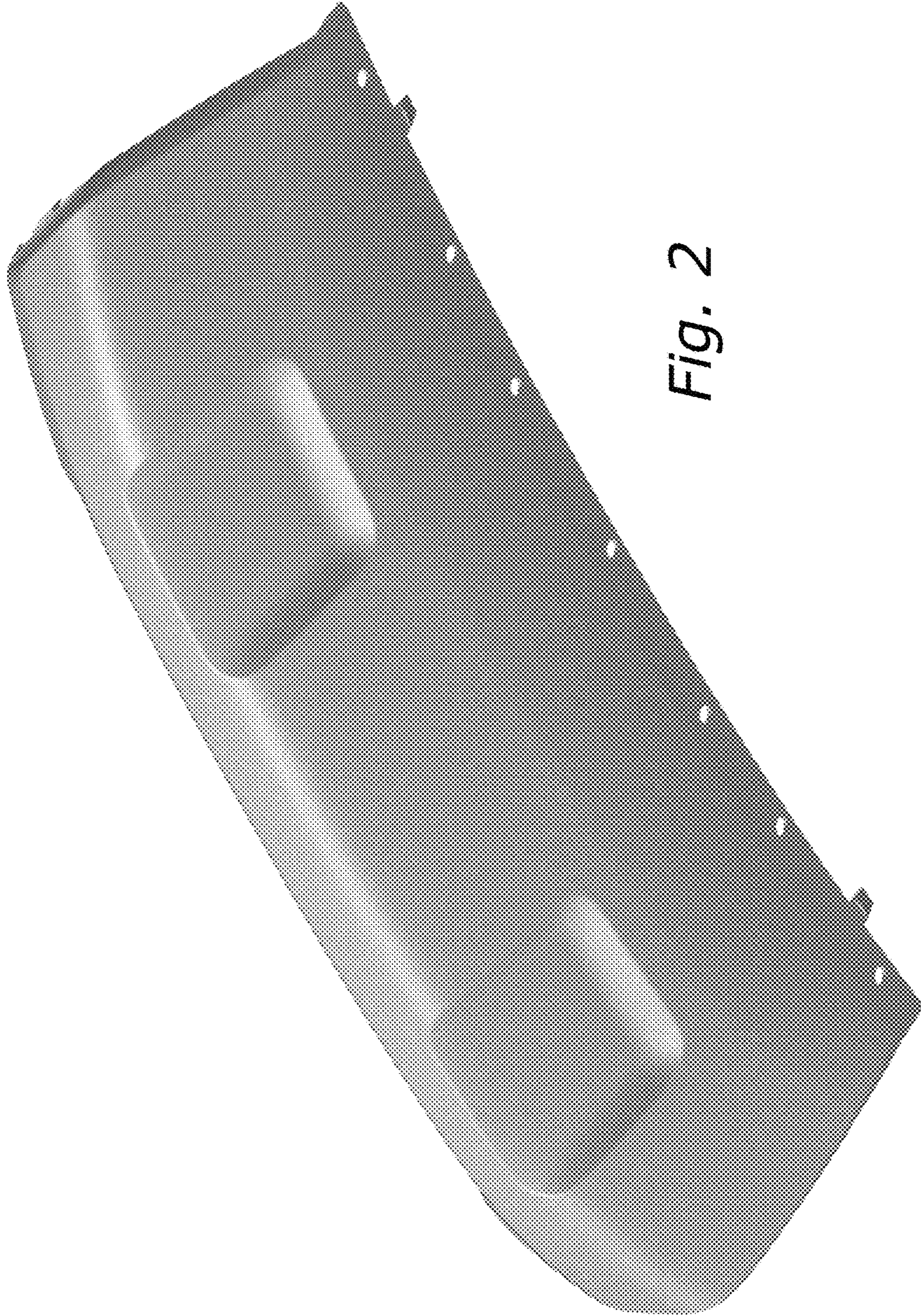


Fig. 2

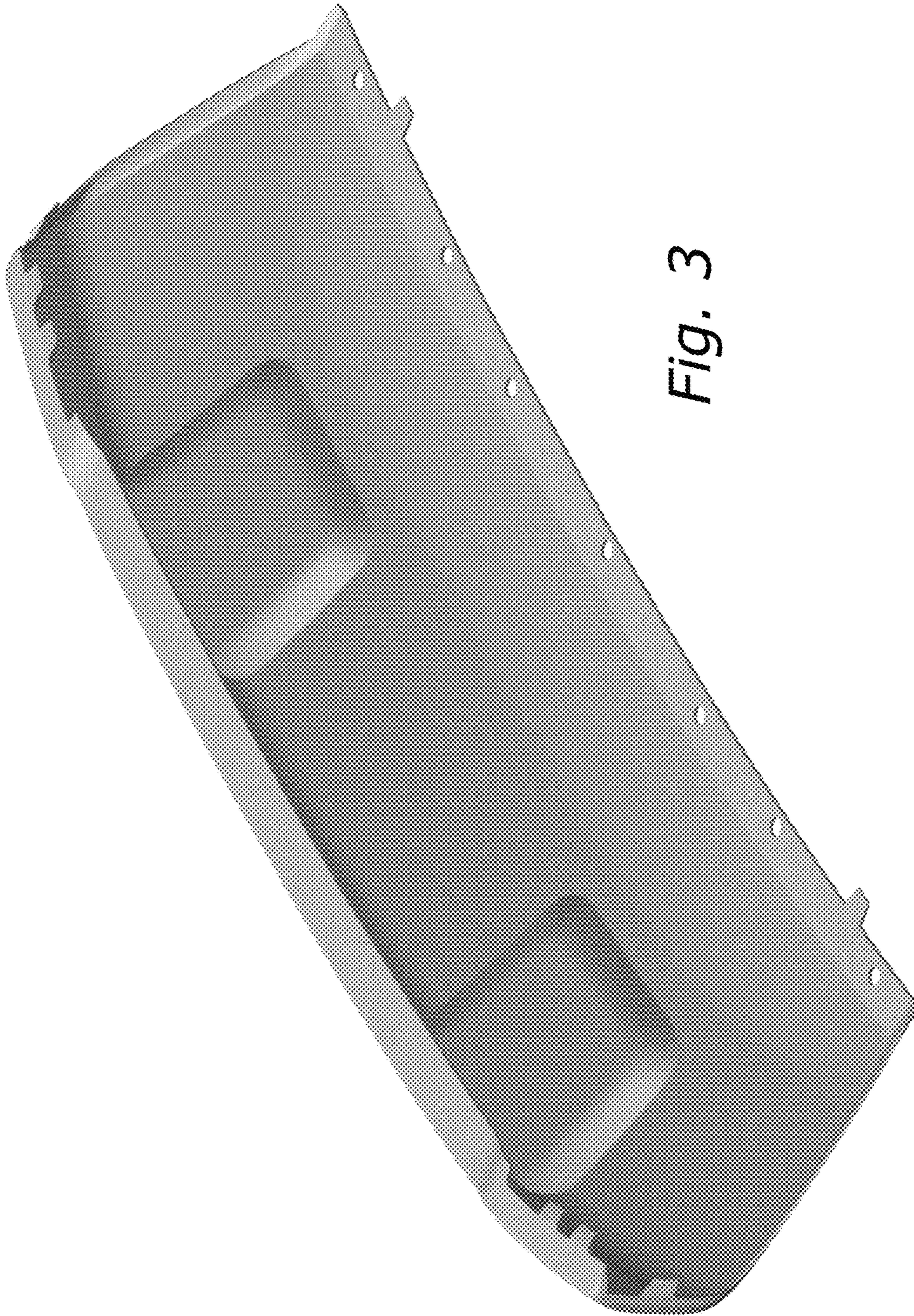
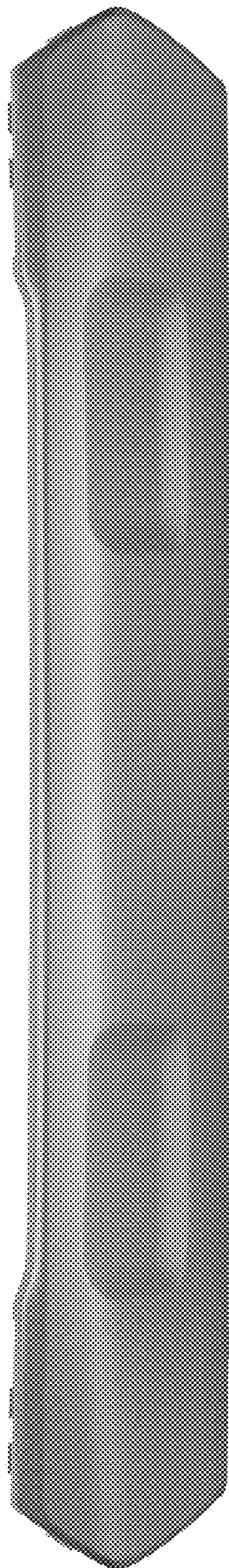


Fig. 3



*Fig. 4*

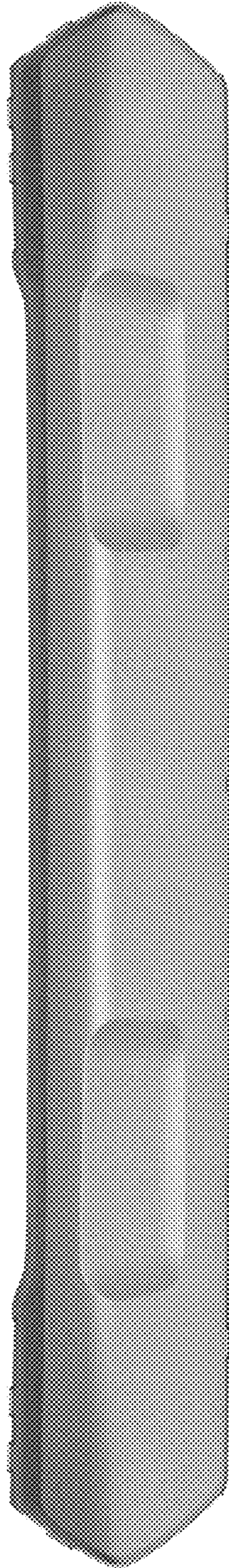
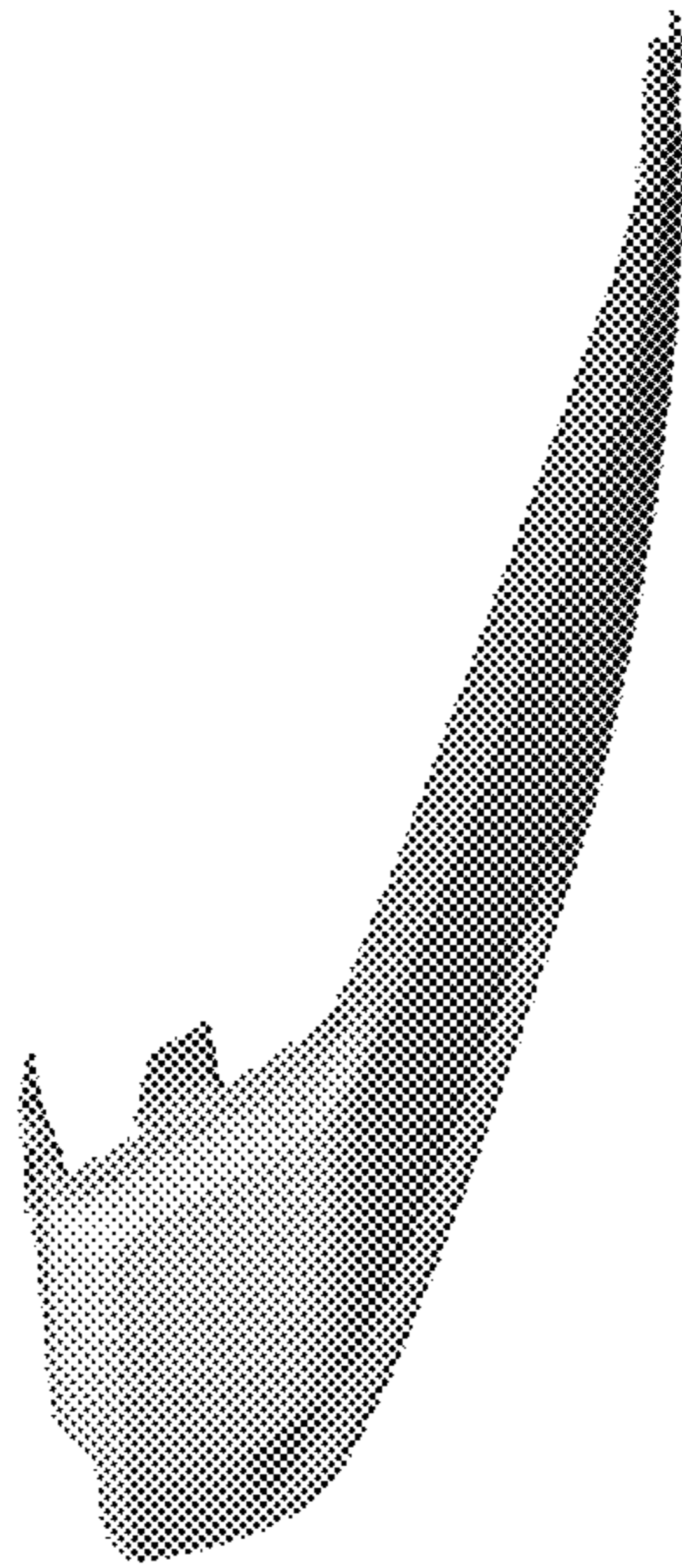


Fig. 5



*Fig. 6*





Fig. 7

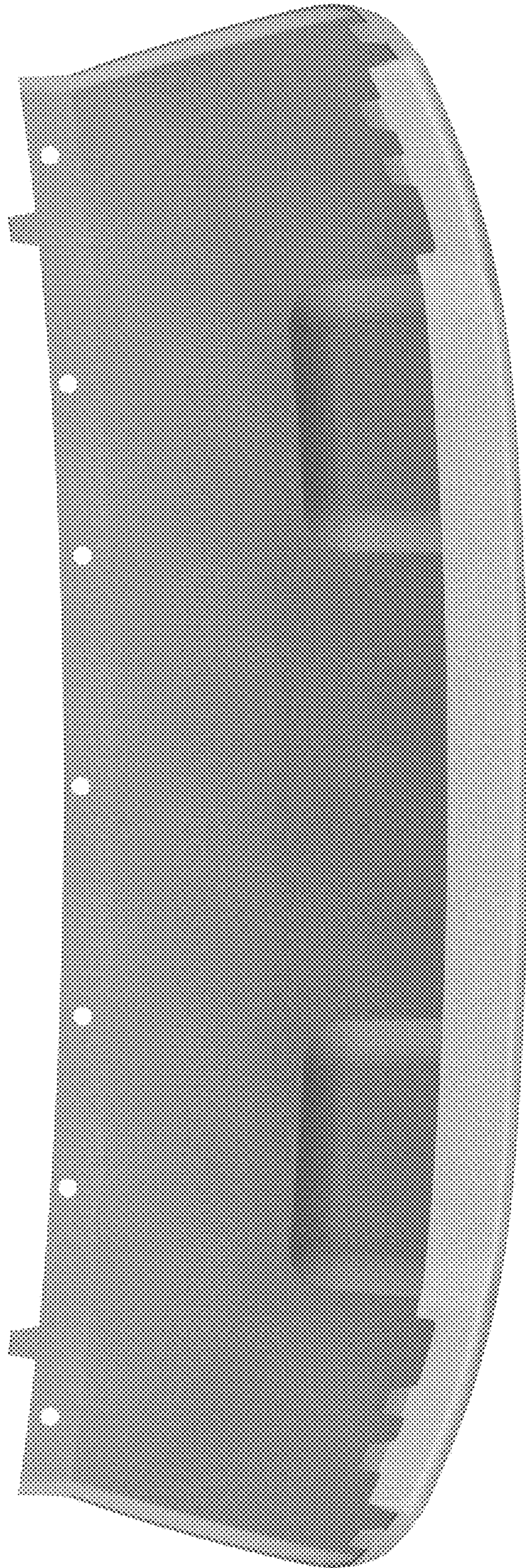


Fig. 8

Fig. 9

