



US00D825402S

(12) **United States Design Patent**
Rackleff

(10) **Patent No.:** **US D825,402 S**

(45) **Date of Patent:** **** Aug. 14, 2018**

(54) **TRAILER HITCH ATTACHMENT MEMBER**

(71) Applicant: **Richard Kevin Rackleff**, Statesboro,
GA (US)

(72) Inventor: **Richard Kevin Rackleff**, Statesboro,
GA (US)

(73) Assignee: **BIG KAT BUGGY, LLC**, Statesboro,
GA (US)

(**) Term: **15 Years**

(21) Appl. No.: **29/577,035**

(22) Filed: **Sep. 8, 2016**

(51) **LOC (11) Cl.** **12-16**

(52) **U.S. Cl.**
USPC **D12/162**

(58) **Field of Classification Search**
USPC D12/162, 161, 160, 159
CPC . B60D 1/06; B60D 1/60; B60D 1/065; B60D
1/00

See application file for complete search history.

(56) **References Cited**

U.S. PATENT DOCUMENTS

7,380,803	B2 *	6/2008	Thomas	B60R 9/06
					224/519
7,905,508	B2 *	3/2011	Crawford	B60D 1/00
					224/519
8,672,200	B2 *	3/2014	O'Hare	B60R 9/06
					224/519
D705,704	S *	5/2014	Lane	D12/162
D708,099	S *	7/2014	Oman	D12/162
D709,805	S *	7/2014	Hill	D12/162

D714,194	S *	9/2014	DePietro	D12/162
D729,704	S *	5/2015	Song	D12/162
D737,734	S *	9/2015	McGinnes	D12/162

* cited by examiner

Primary Examiner — Katrina A Betton

(74) *Attorney, Agent, or Firm* — Withers & Keys, LLC

(57) **CLAIM**

The ornamental design for a trailer hitch attachment member, as shown and described.

DESCRIPTION

FIG. 1 is a perspective view of an trailer hitch attachment member showing my new design;

FIG. 2 is a bottom view of the trailer hitch attachment member;

FIG. 3 is a top view thereof;

FIG. 4 is a rear view thereof;

FIG. 5 is a frontal view thereof;

FIG. 6 is a side view thereof as viewed from the right-hand side of the trailer hitch attachment member shown in FIG. 5;

FIG. 7 is a side view thereof as viewed from the left-hand side of the trailer hitch attachment member shown in FIG. 5;

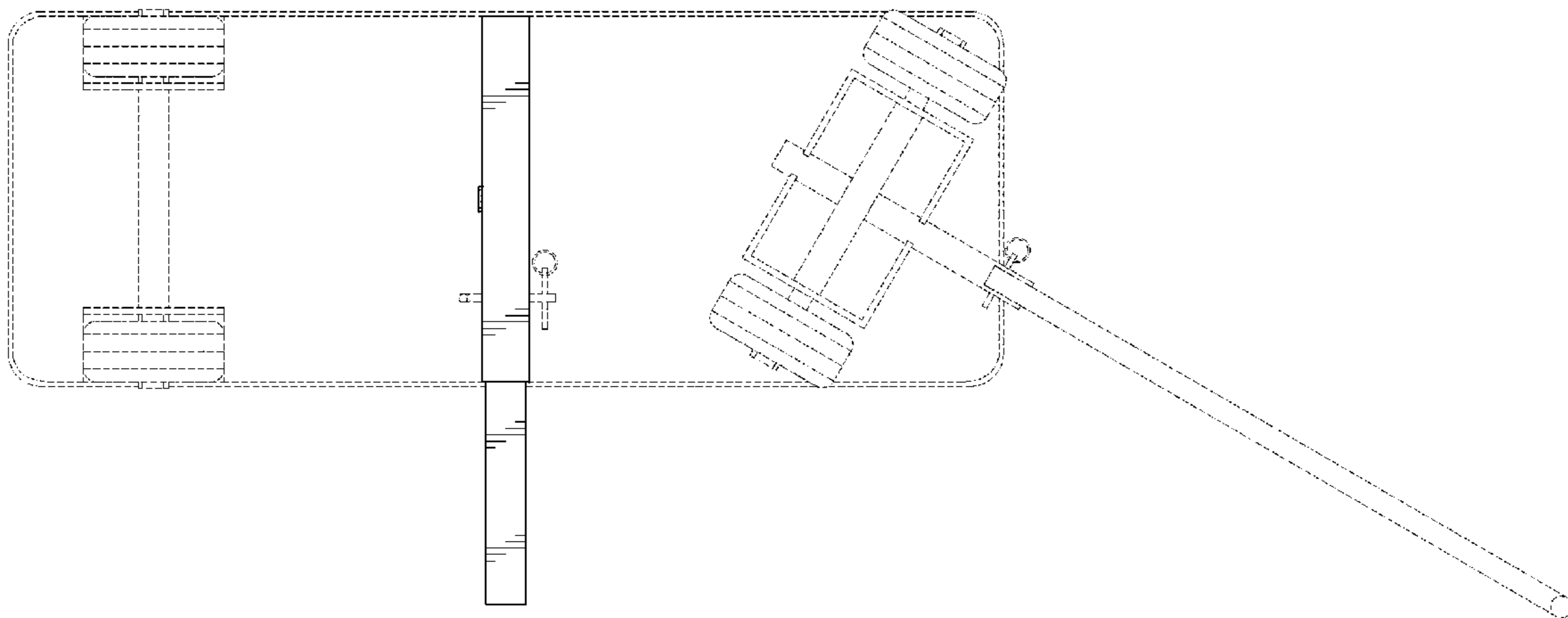
FIG. 8 is a bottom view of the trailer hitch attachment member showing an extendable tubular member sized to fit within a trailer hitch receiver in a use position;

FIG. 9 is a top view of the trailer hitch attachment member showing a lid configuration; and,

FIG. 10 is a top view of the trailer hitch attachment member showing another lid configuration.

The broken lines shown in the drawings illustrate portions of the trailer hitch attachment member that forms no part of the claimed design.

1 Claim, 10 Drawing Sheets



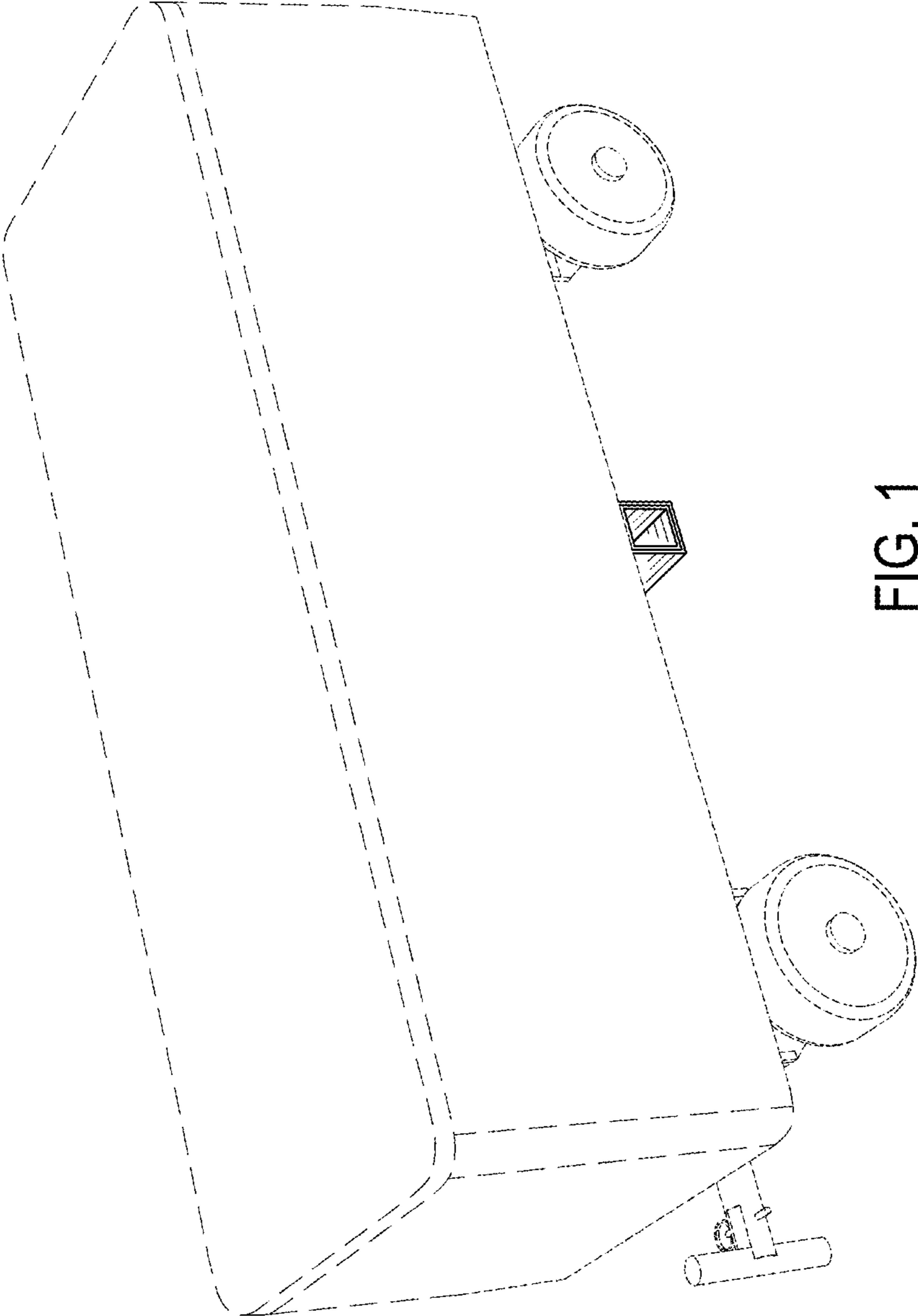


FIG. 1

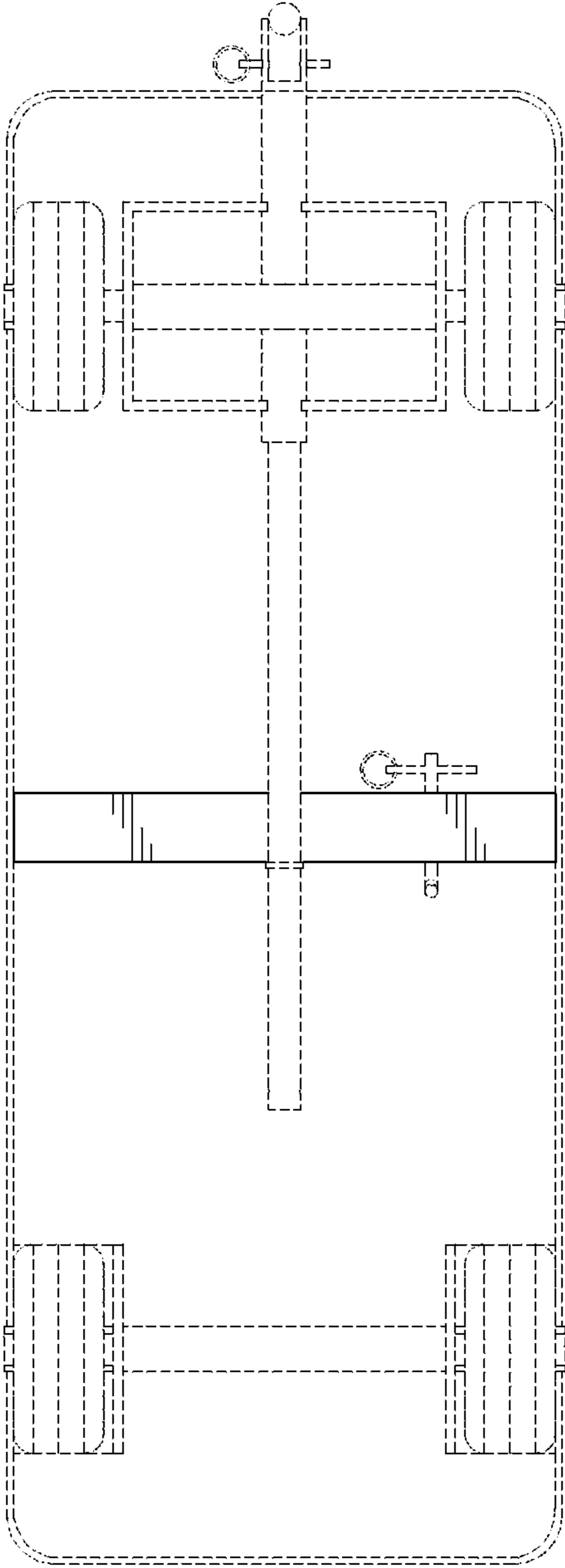


FIG. 2

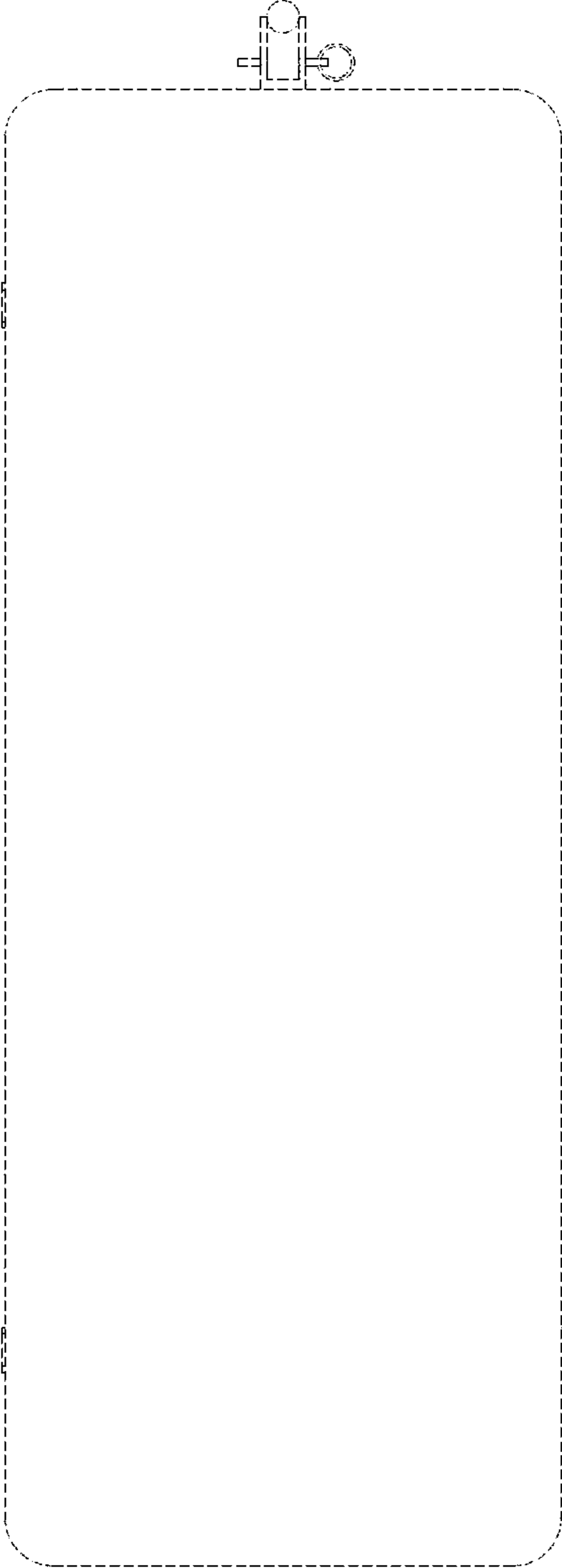


FIG. 3

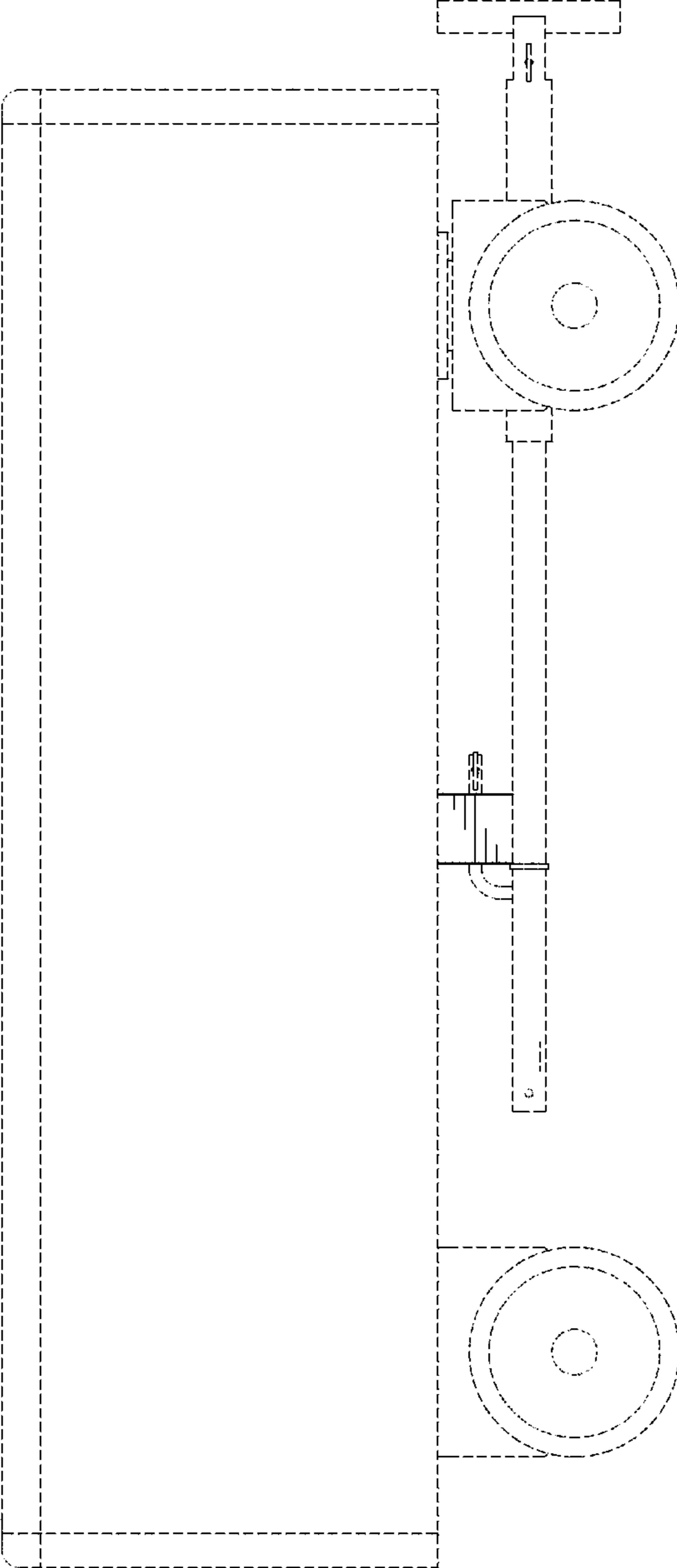


FIG. 4

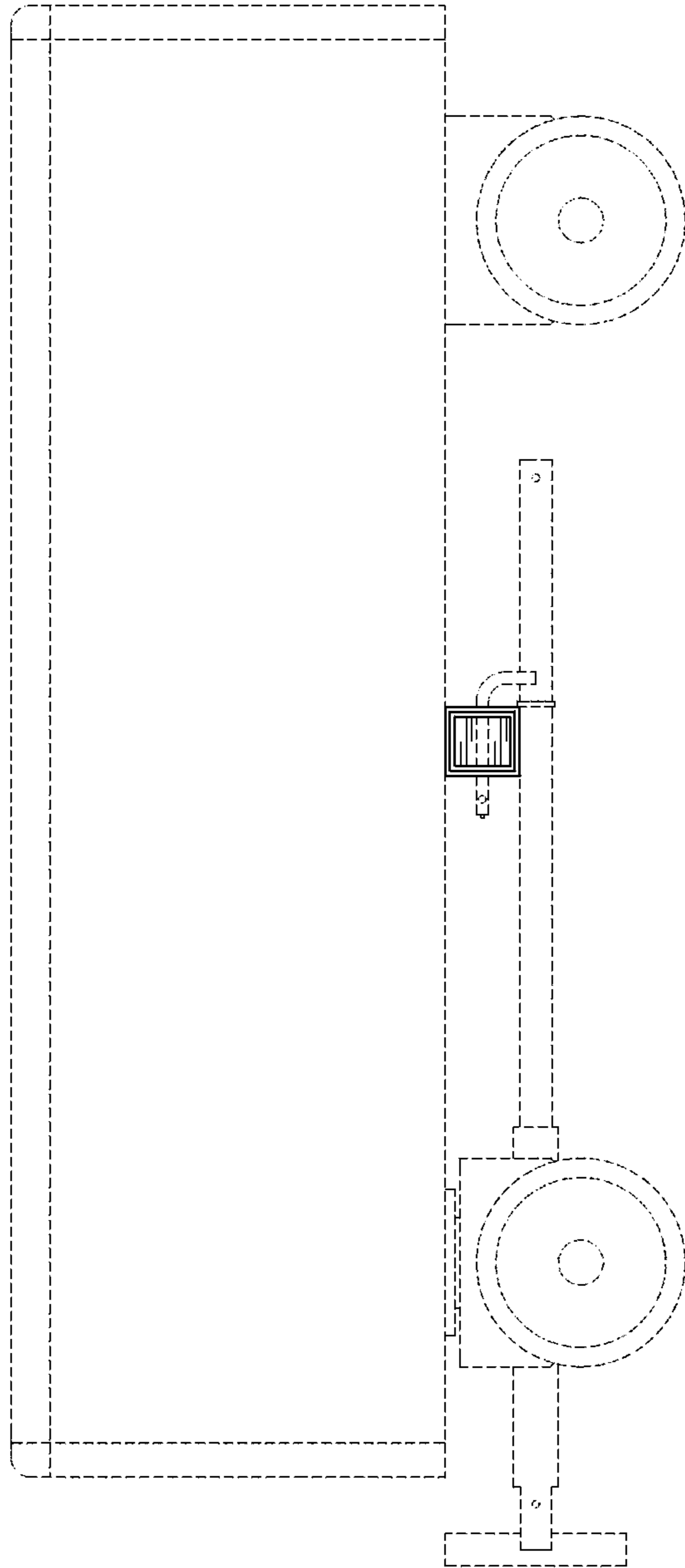


FIG. 5

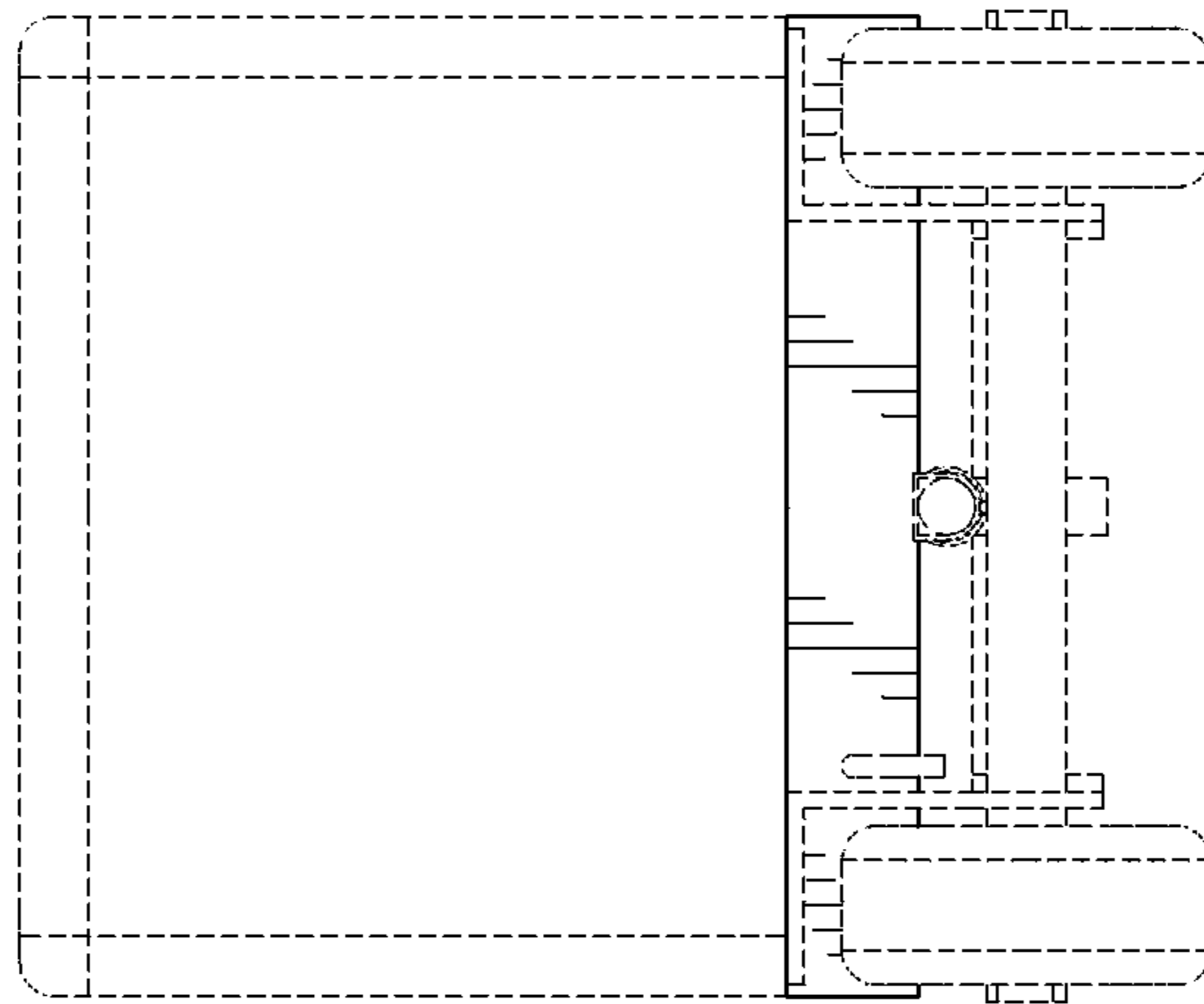


FIG. 6

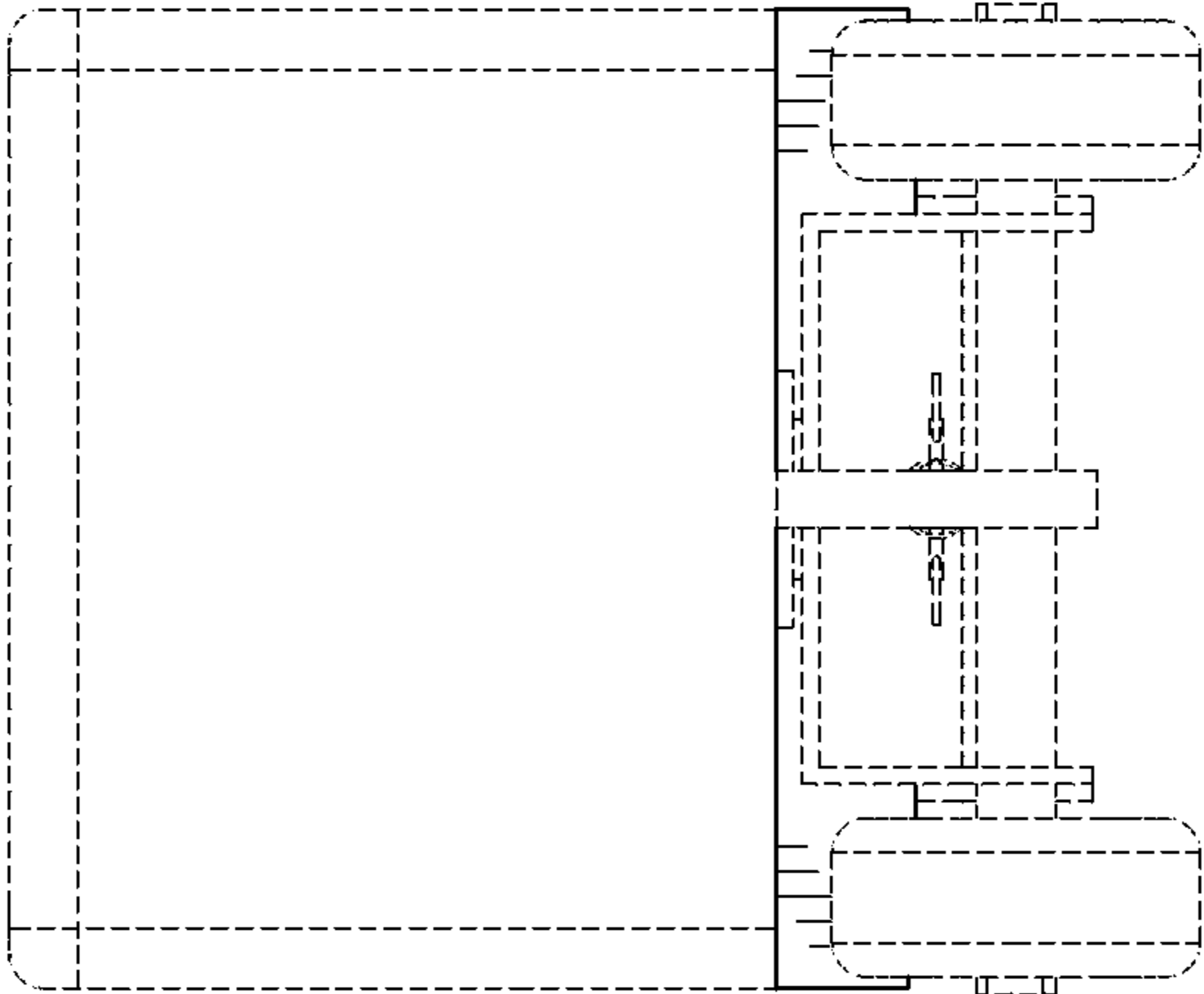


FIG. 7

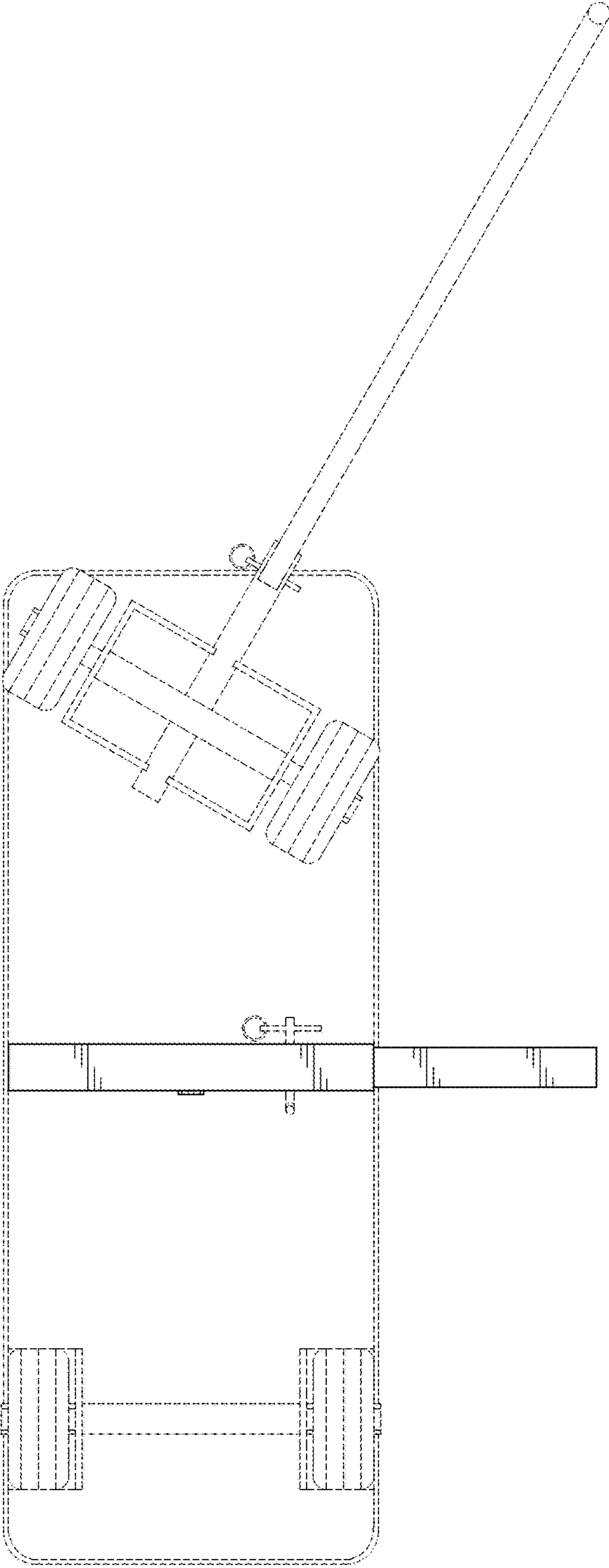


FIG. 8

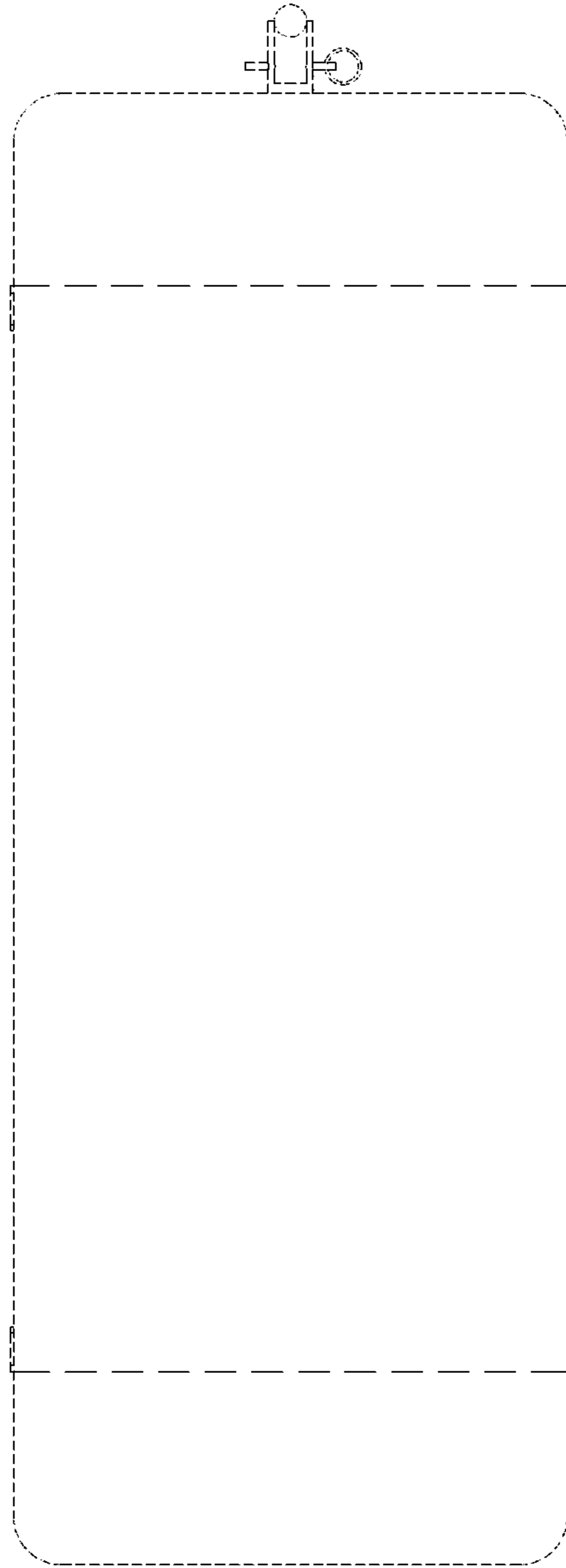


FIG. 9

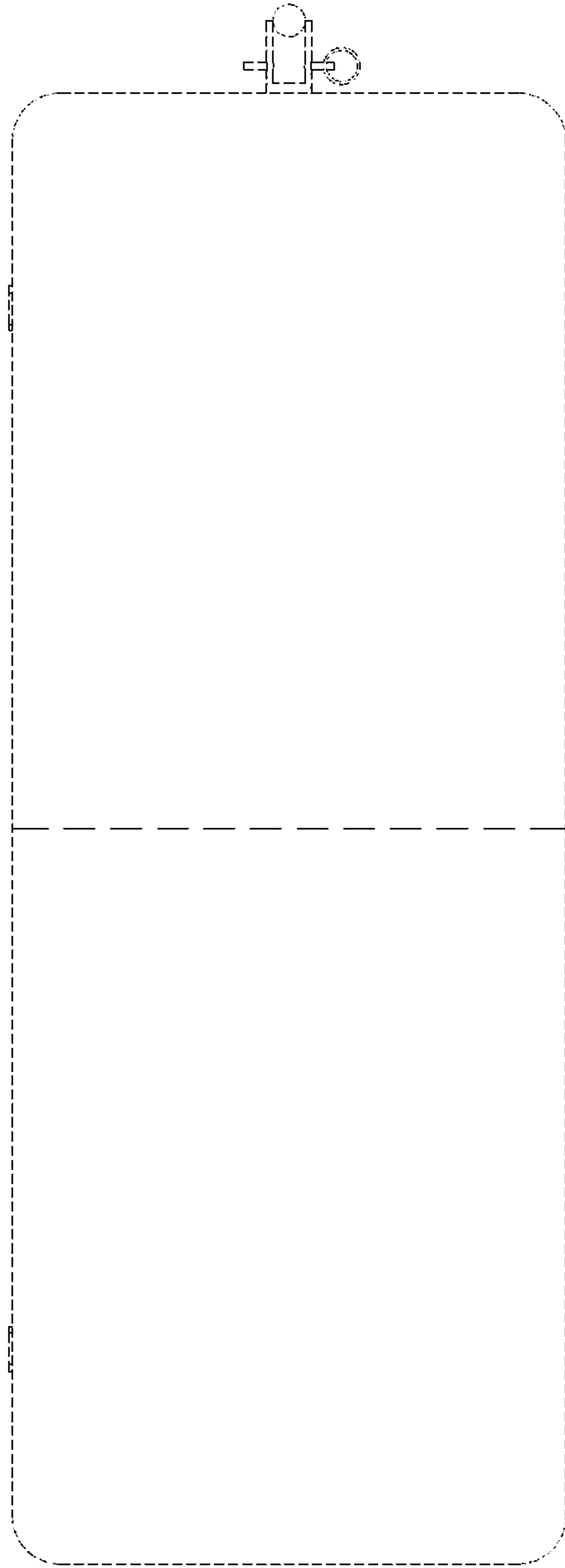


FIG. 10