



US00D825395S

(12) **United States Design Patent**
Gafni

(10) **Patent No.:** **US D825,395 S**

(45) **Date of Patent:** **** Aug. 14, 2018**

(54) **BALANCE BIKE**

(71) Applicant: **I.G. CARDBOARD TECHNOLOGIES LTD.**, Tel Aviv (IL)

(72) Inventor: **Izhar Gafni**, Ahituv (IL)

(73) Assignee: **I.G. CARDBOARD TECHNOLOGIES LTD.**, Tel Aviv (IL)

(**) Term: **15 Years**

(21) Appl. No.: **29/603,230**

(22) Filed: **May 8, 2017**

(30) **Foreign Application Priority Data**

Nov. 8, 2016 (IL) 59454

(51) **LOC (11) Cl.** **12-11**

(52) **U.S. Cl.**
USPC **D12/111; D21/432**

(58) **Field of Classification Search**
USPC D12/111, 117; D21/412, 414, 419, D21/423-428, 431-435
CPC B62K 3/00; B62K 3/02; B62K 3/06
See application file for complete search history.

(56) **References Cited**

U.S. PATENT DOCUMENTS

D504,845 S *	5/2005	Coerschulte	D12/111
D512,664 S *	12/2005	Schreier	D12/111
D537,758 S *	3/2007	Grepper	D12/111
D561,649 S *	2/2008	Latham	D12/111
D567,149 S *	4/2008	Grepper	D12/111
D597,147 S *	7/2009	Verlinden	D21/424
D629,049 S *	12/2010	McFarland	B62K 9/00 D12/111

D659,597 S *	5/2012	Chen	D12/111
8,191,931 B1 *	6/2012	Mulder	B62K 19/14 280/828
D668,586 S *	10/2012	Golias	D12/111
8,286,974 B2 *	10/2012	Chen	B62K 9/00 280/1.188
D671,173 S *	11/2012	Tompkin	D12/111
8,414,007 B2 *	4/2013	Chen	B62K 15/006 280/278
D695,847 S *	12/2013	Liu	D12/111
8,844,952 B2 *	9/2014	Chen	B62K 9/00 280/87.021

(Continued)

Primary Examiner — Darlington Ly

(74) *Attorney, Agent, or Firm* — Vorys, Sater, Seymour & Pease LLP

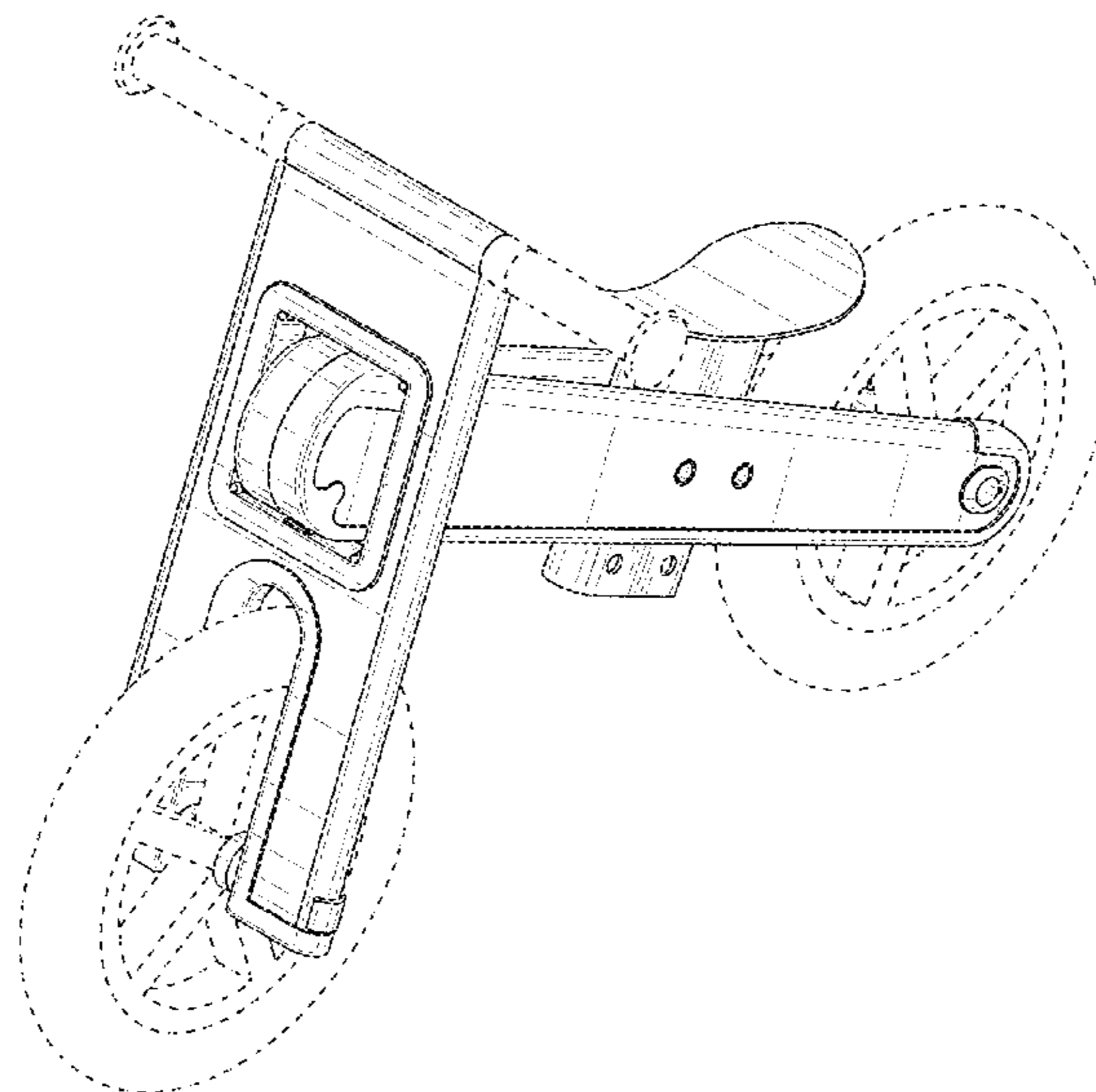
(57) **CLAIM**

The ornamental design for a balance bike, as shown and described.

DESCRIPTION

FIG. 1 is a front and top perspective view for a balance bike; FIG. 2 is a front and bottom perspective view of the design as seen in FIG. 1; FIG. 3 is a front elevational view of the design as seen in FIG. 1; FIG. 4 is a rear elevational view of the design as seen in FIG. 1; FIG. 5 is a left side elevational view of the design as seen in FIG. 1; FIG. 6 is a right side elevational view of the design as seen in FIG. 1; FIG. 7 is a top plan view of the design as seen in FIG. 1; and, FIG. 8 is a bottom plan view of the design as seen in FIG. 1.
The parts shown in dashed lines form no part of the claimed design.

1 Claim, 8 Drawing Sheets



(56)

References Cited

U.S. PATENT DOCUMENTS

8,967,641	B2 *	3/2015	De Roeck	B62K 9/02 280/87.021
D729,700	S *	5/2015	De Roeck	D12/111
D735,620	S *	8/2015	Pape	B62K 9/00 D12/111
D739,308	S *	9/2015	Barnaby Latham	D12/111
D739,310	S *	9/2015	Barnaby Latham	D12/112
D777,609	S *	1/2017	Loc	D12/112
D781,753	S *	3/2017	Wunderlin	D12/111
D797,201	S *	9/2017	Wu	D21/432

* cited by examiner

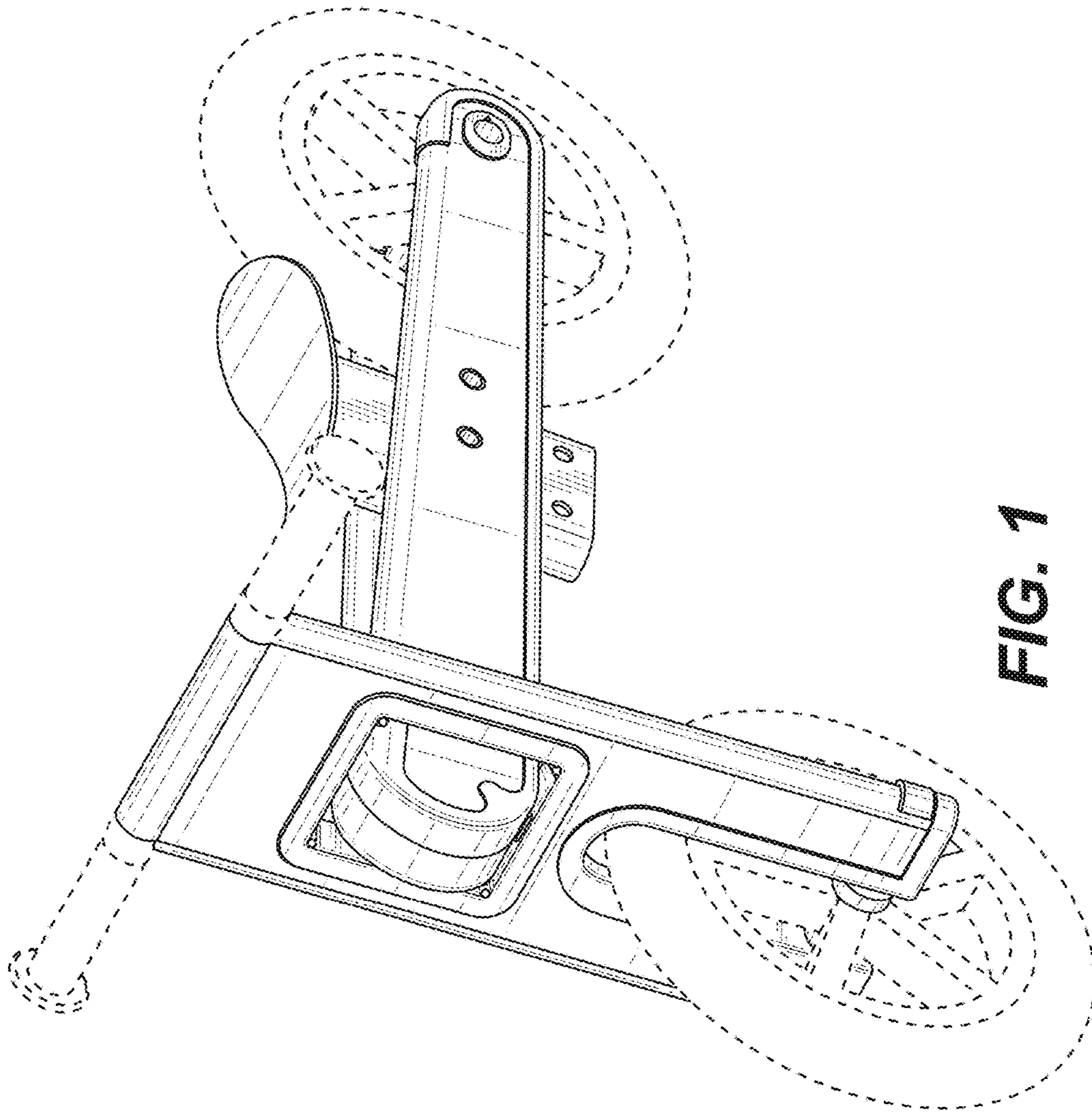


FIG. 1

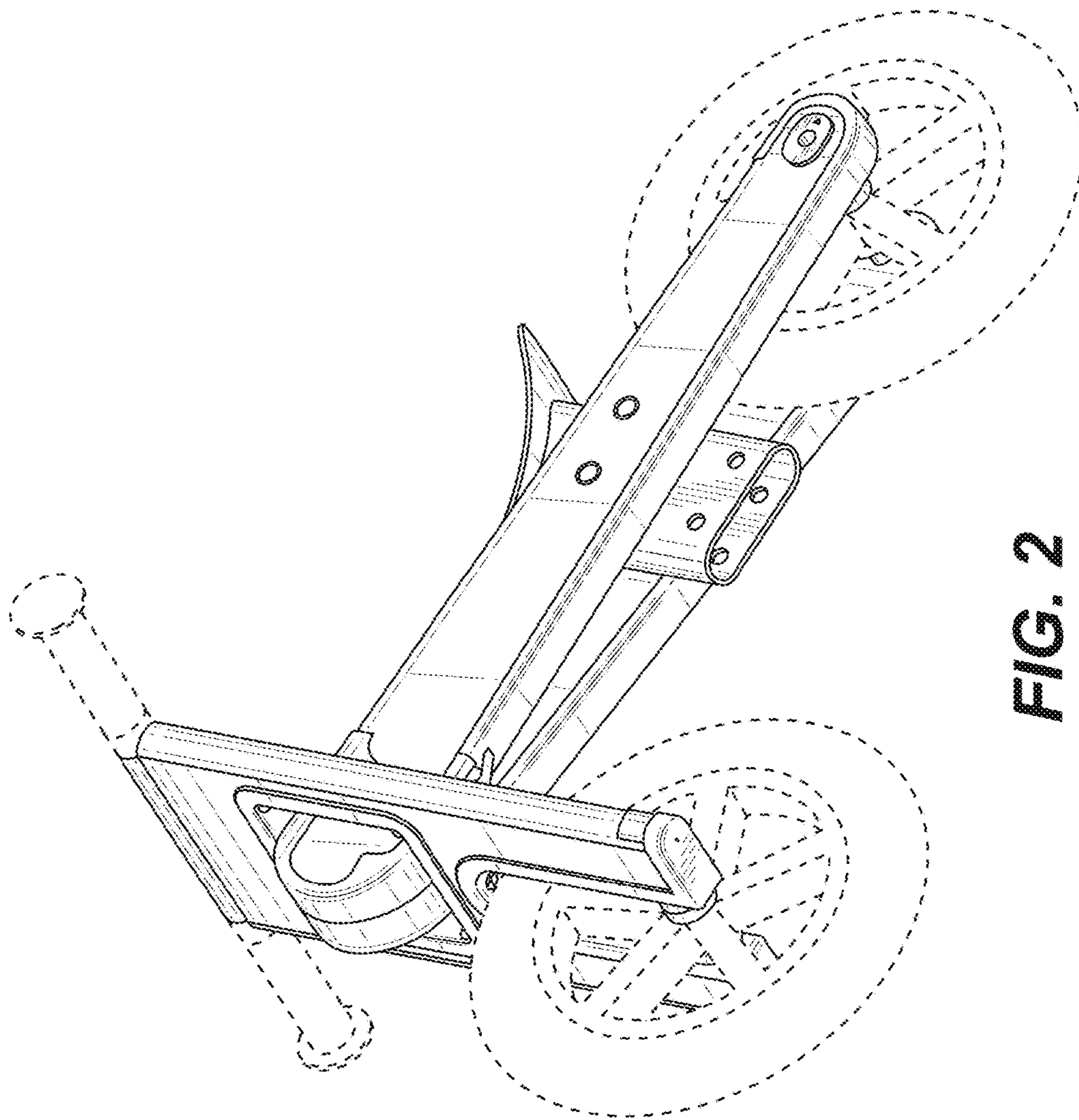


FIG. 2

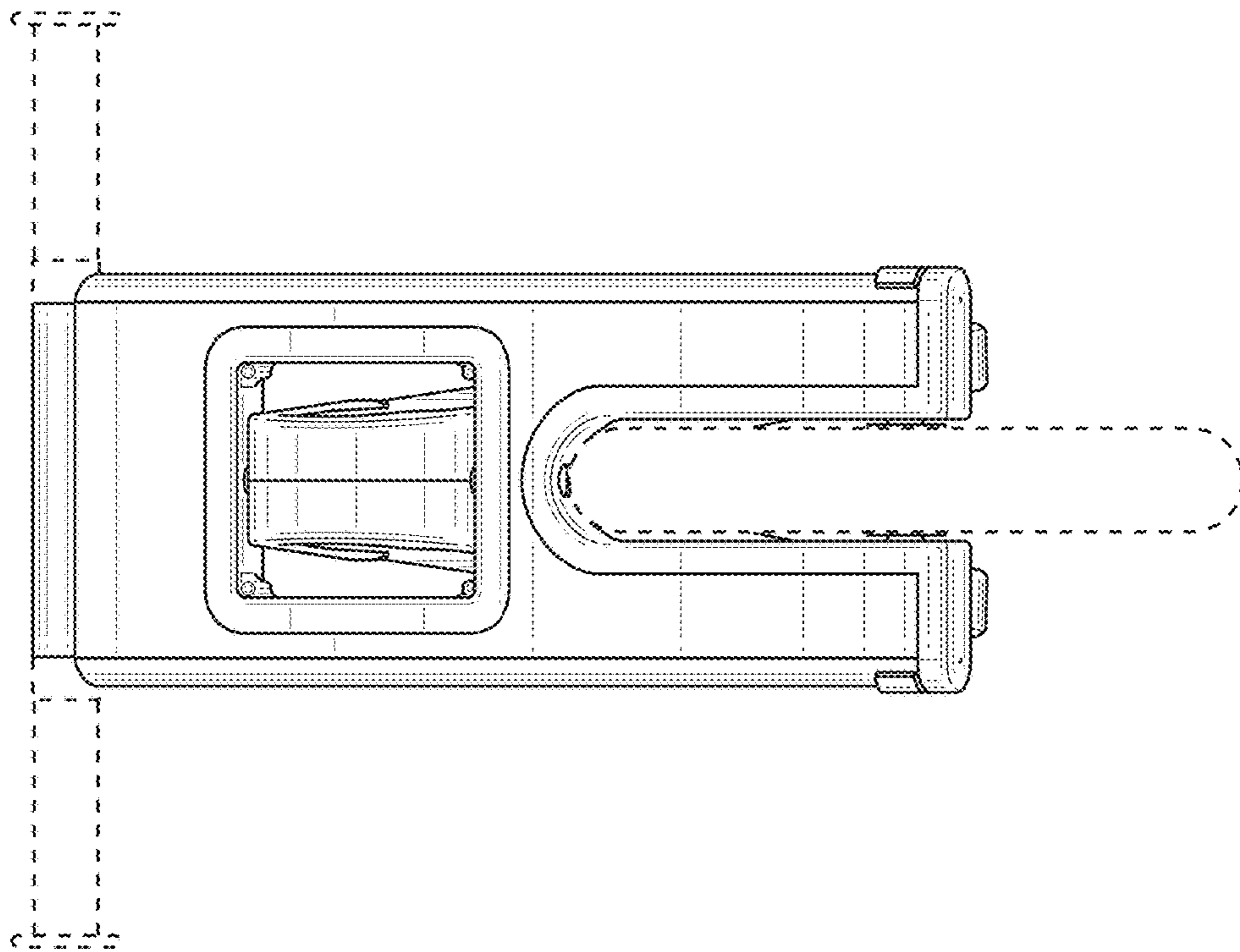


FIG. 3

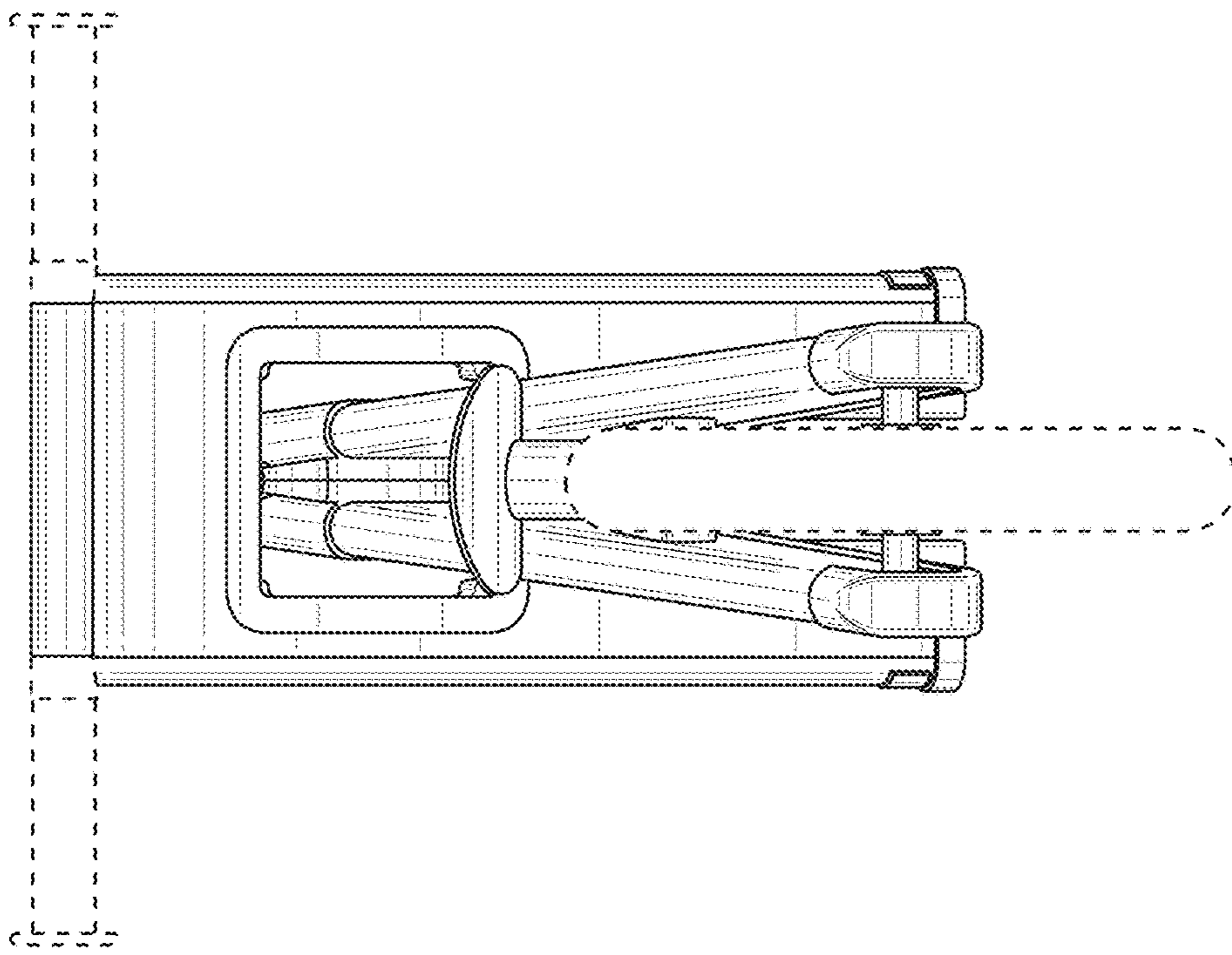


FIG. 4

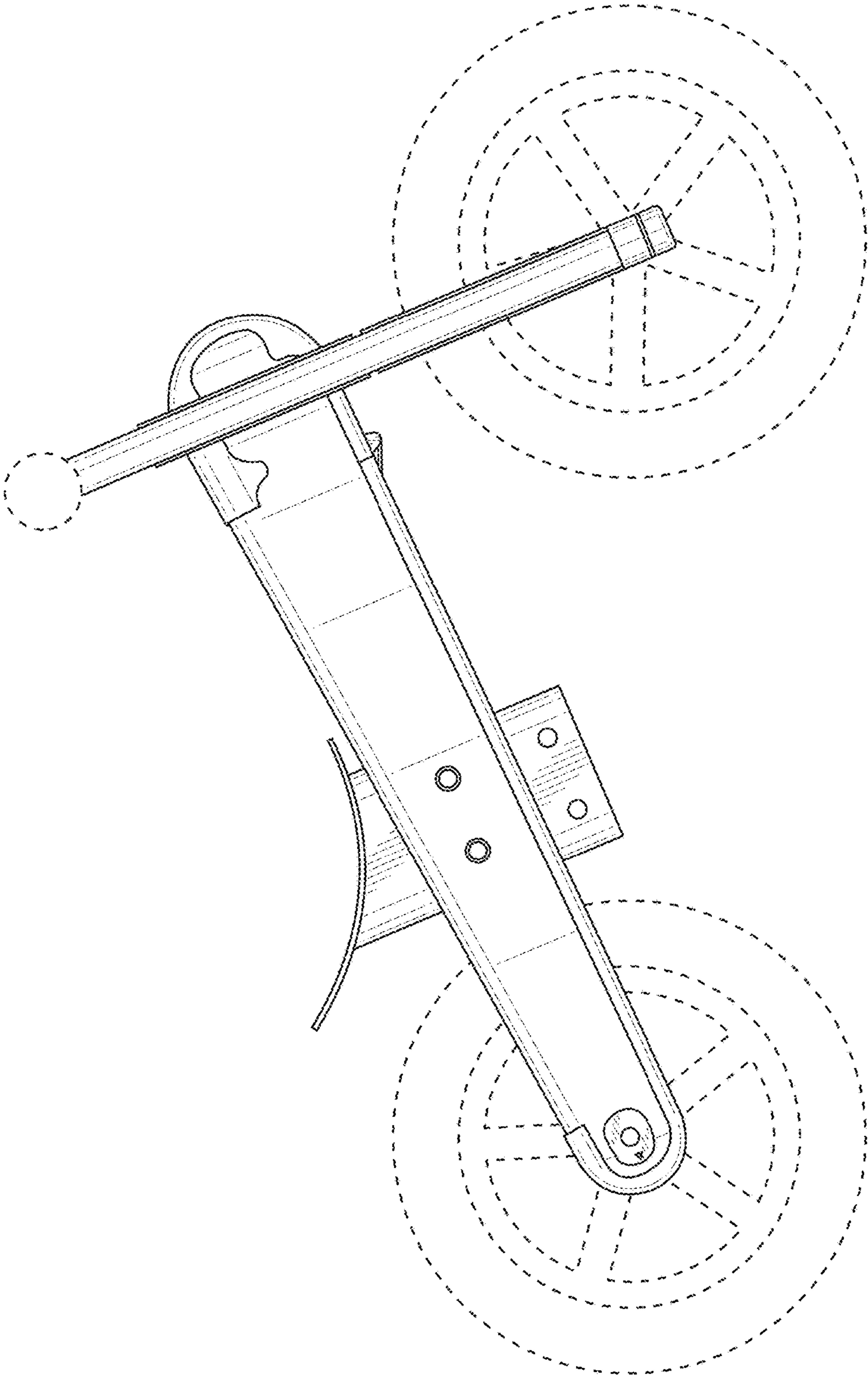


FIG. 5

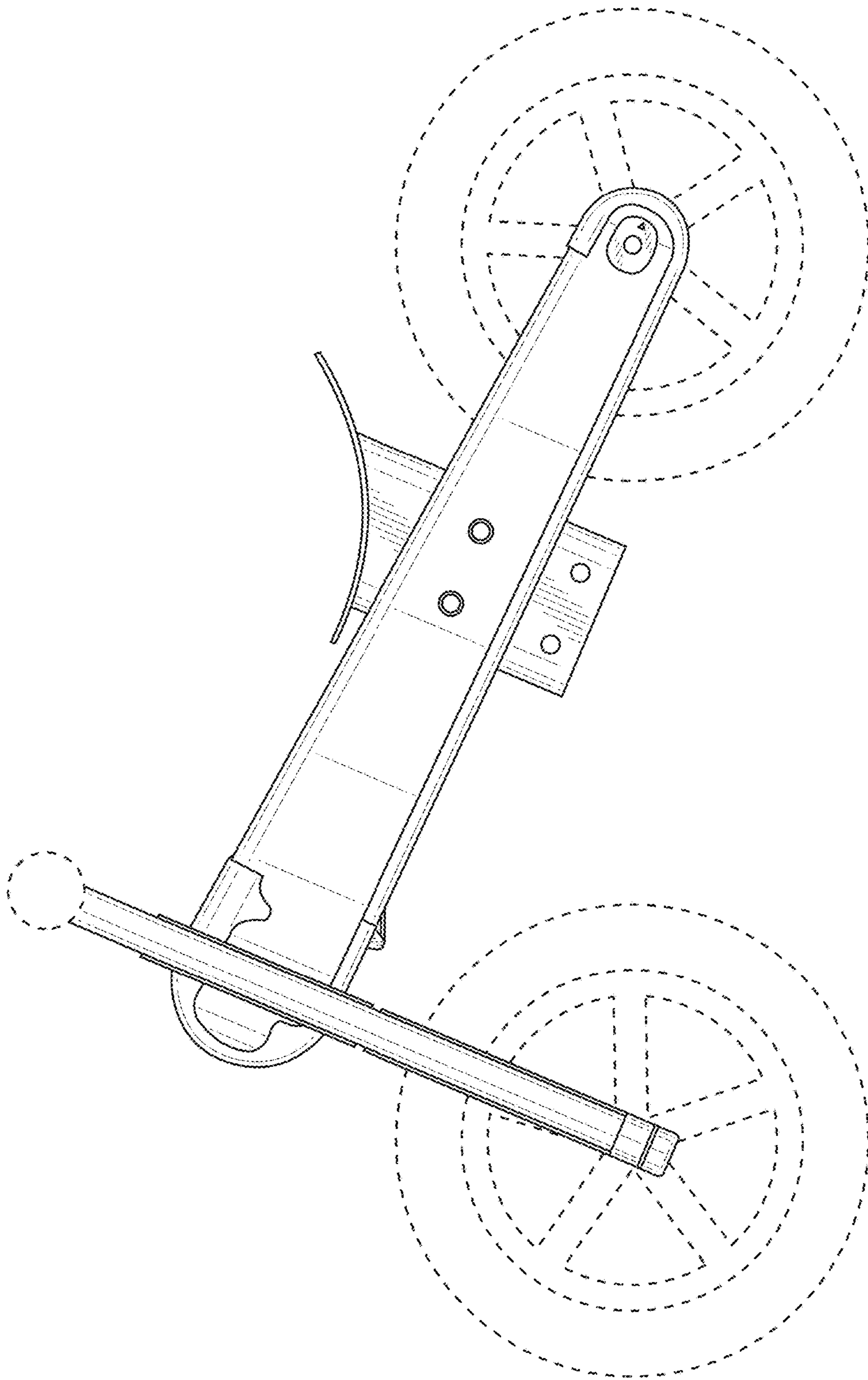


FIG. 6

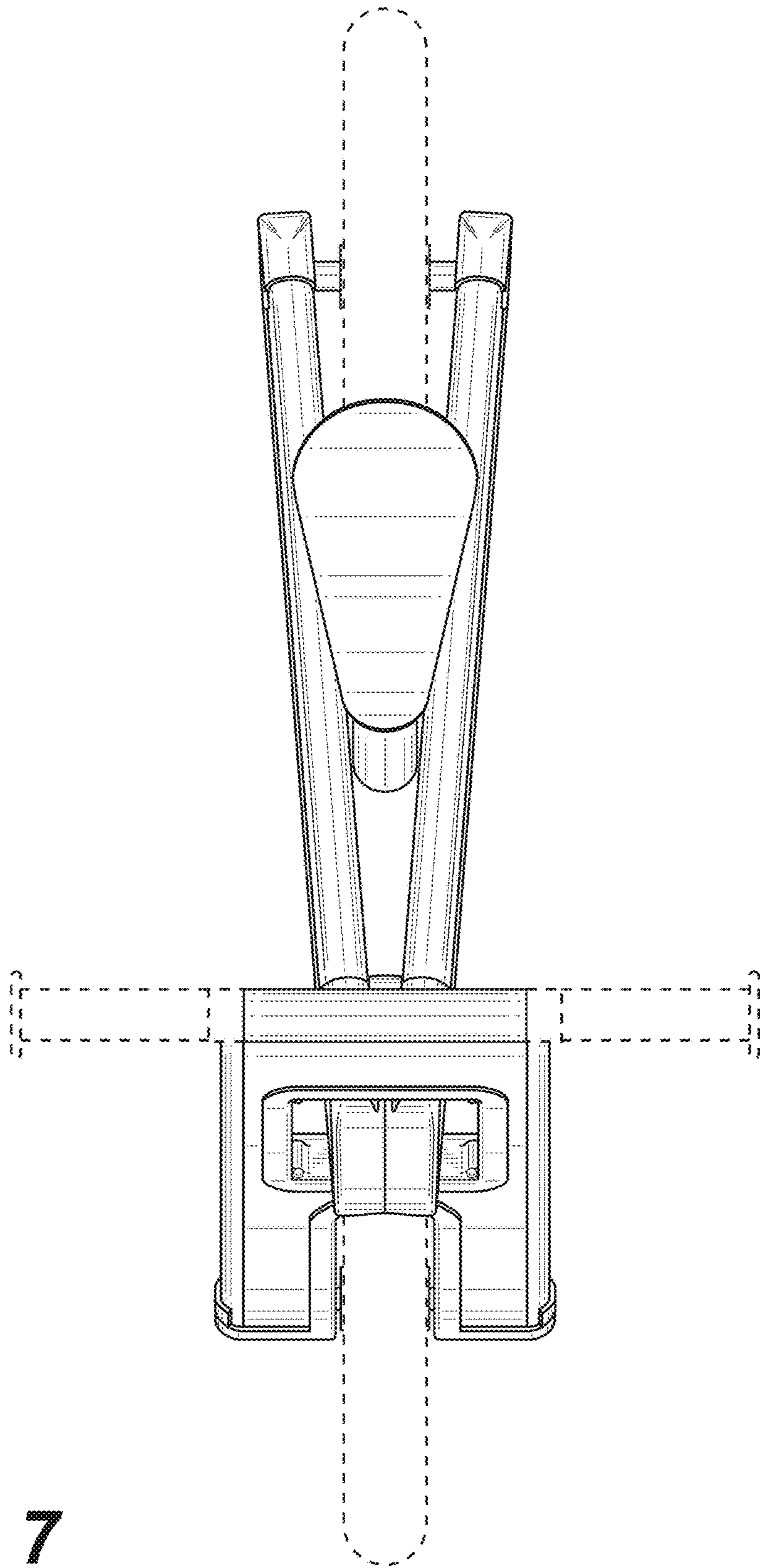


FIG. 7

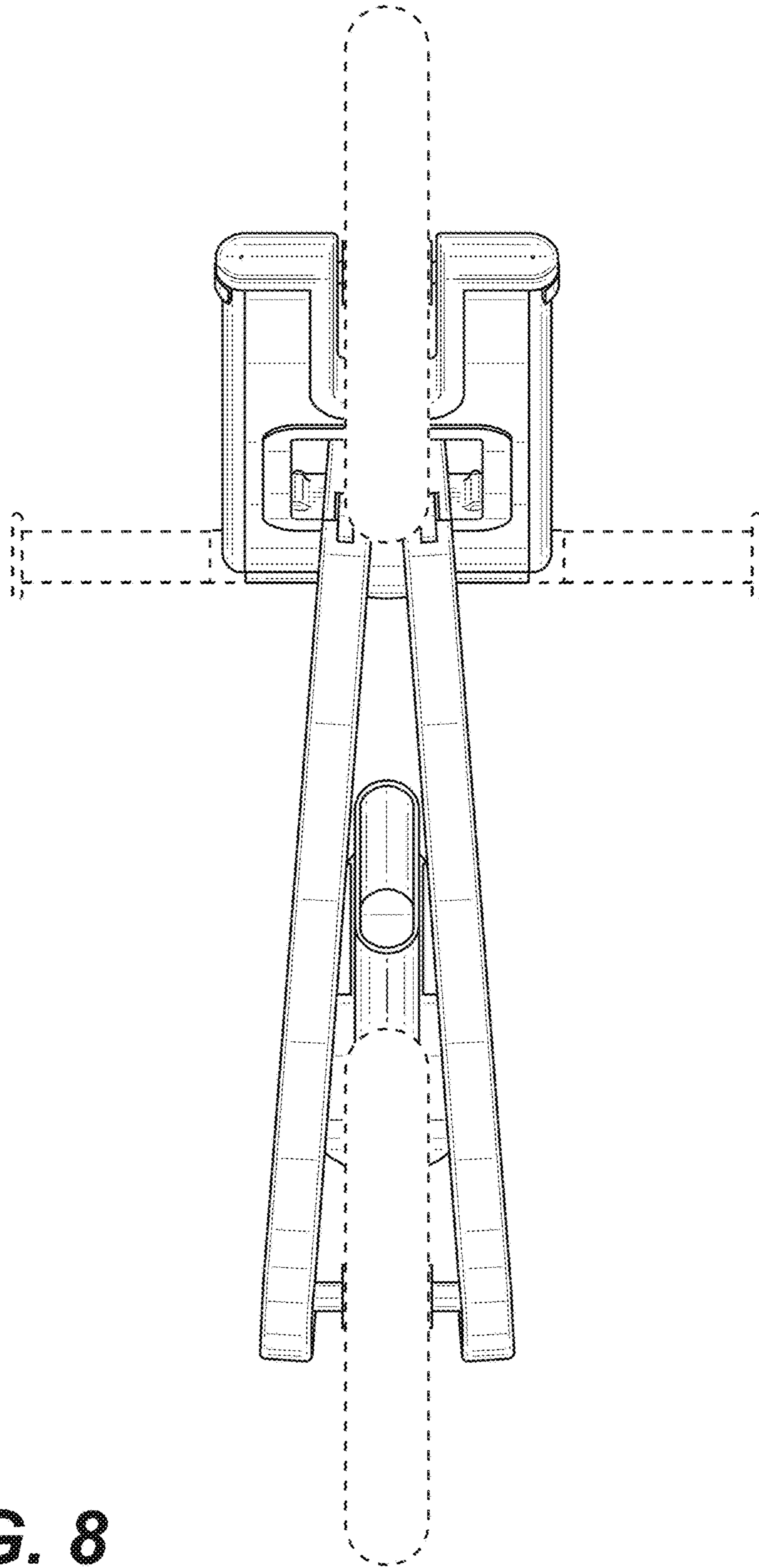


FIG. 8