



US00D825386S

(12) **United States Design Patent**
Donckerwolke

(10) **Patent No.:** **US D825,386 S**
(45) **Date of Patent:** **** Aug. 14, 2018**

(54) **MOTOR CAR**

(71) Applicant: **Bentley Motors Limited**, Cheshire
(GB)

(72) Inventor: **Luc Donckerwolke**, Cheshire (GB)

(73) Assignee: **Bentley Motors Limited**, Crewe
Cheshire (GB)

(**) Term: **15 Years**

(21) Appl. No.: **29/556,431**

(22) Filed: **Mar. 1, 2016**

(30) **Foreign Application Priority Data**

Sep. 2, 2015 (EM) 002764738

(51) **LOC (11) Cl.** **12-08**

(52) **U.S. Cl.**
USPC **D12/92**

(58) **Field of Classification Search**
USPC D12/86, 90-92, 88; D21/421, 433, 434;
296/181.1, 181.5
CPC B62D 35/00; B62D 25/00; B62D 25/06;
B62D 33/00
See application file for complete search history.

(56) **References Cited**

U.S. PATENT DOCUMENTS

D574,752 S * 8/2008 van Braeckel D12/92
D623,989 S * 9/2010 Thurner D12/92
D658,545 S * 5/2012 Van Braeckel D12/91
D685,679 S * 7/2013 Van Braeckel D12/92
D686,535 S * 7/2013 Van Braeckel D12/92

D717,697 S * 11/2014 van Braeckel D12/92
D753,031 S * 4/2016 van Braeckel D12/164
D780,069 S * 2/2017 Thurner D12/92
D782,367 S * 3/2017 Donckerwolke D12/92

FOREIGN PATENT DOCUMENTS

EM 001734419-0001 7/2010

OTHER PUBLICATIONS

(6) Digital Images, four (4) pages from European Design Reg. No.
001734419-0001 Published Jul. 26, 2010.

* cited by examiner

Primary Examiner — Melody N Brown

(74) *Attorney, Agent, or Firm* — John A. Yirga, Esq.;
Tarolli, Sundheim, Covell & Tummino LLP

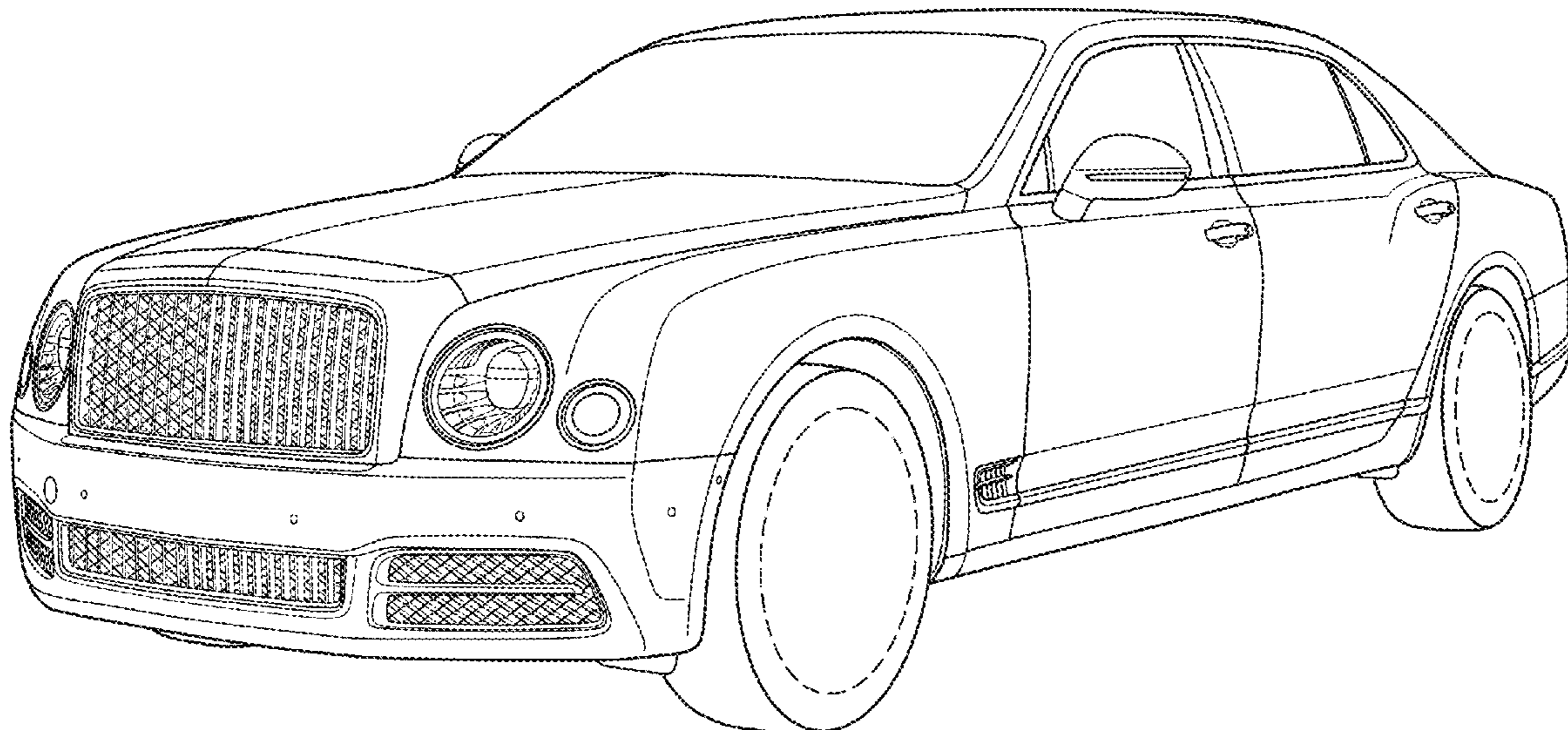
(57) **CLAIM**

The ornamental design for a motor car, as shown and
described.

DESCRIPTION

FIG. 1 is a front elevation view of a motor car;
FIG. 2 is a front perspective view thereof;
FIG. 3 is a right side elevation view thereof;
FIG. 4 is a left side elevation view thereof;
FIG. 5 is a rear perspective view thereof;
FIG. 6 is a rear elevation view thereof; and,
FIG. 7 is a top plan view thereof.

1 Claim, 7 Drawing Sheets



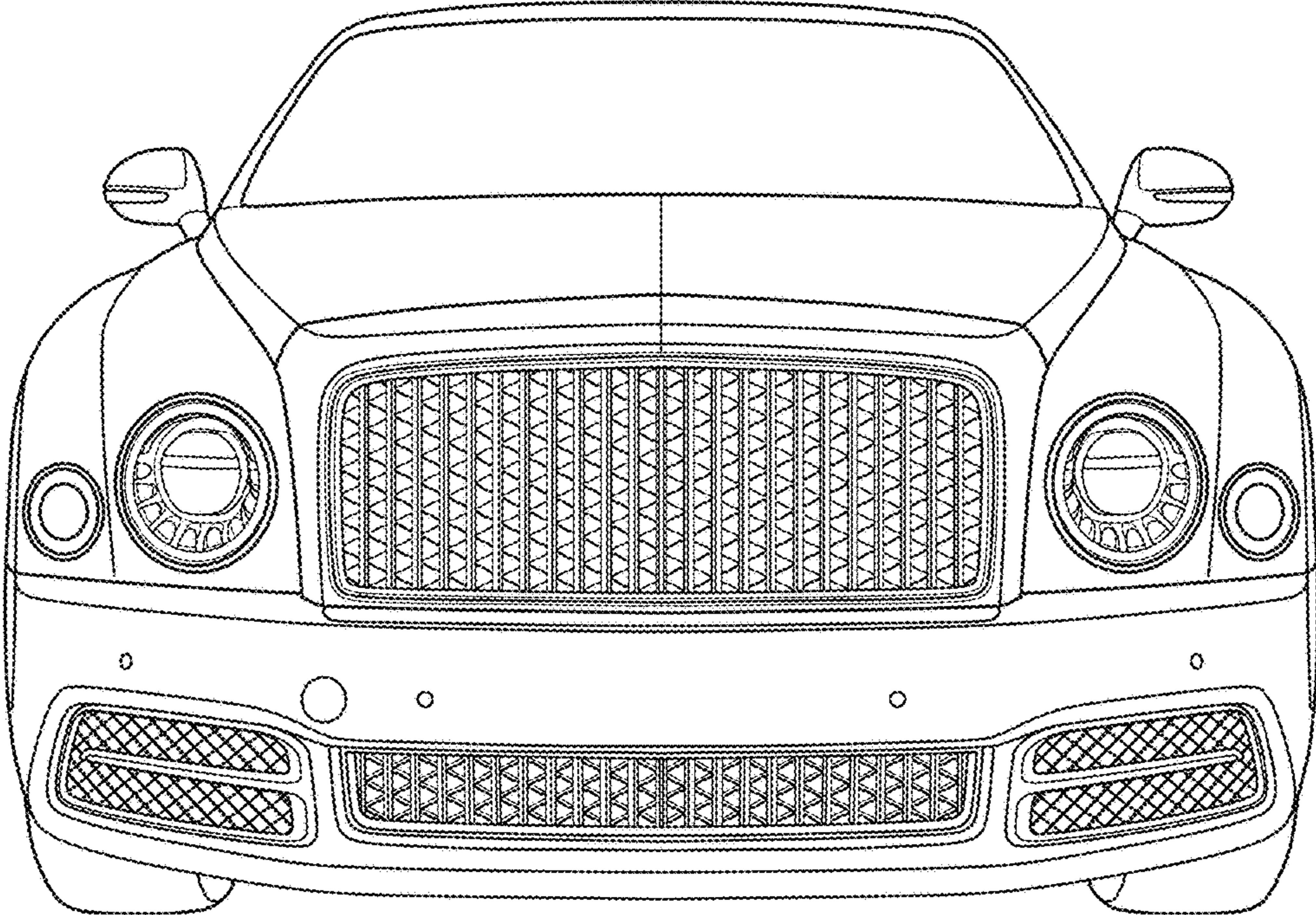


FIG. 1

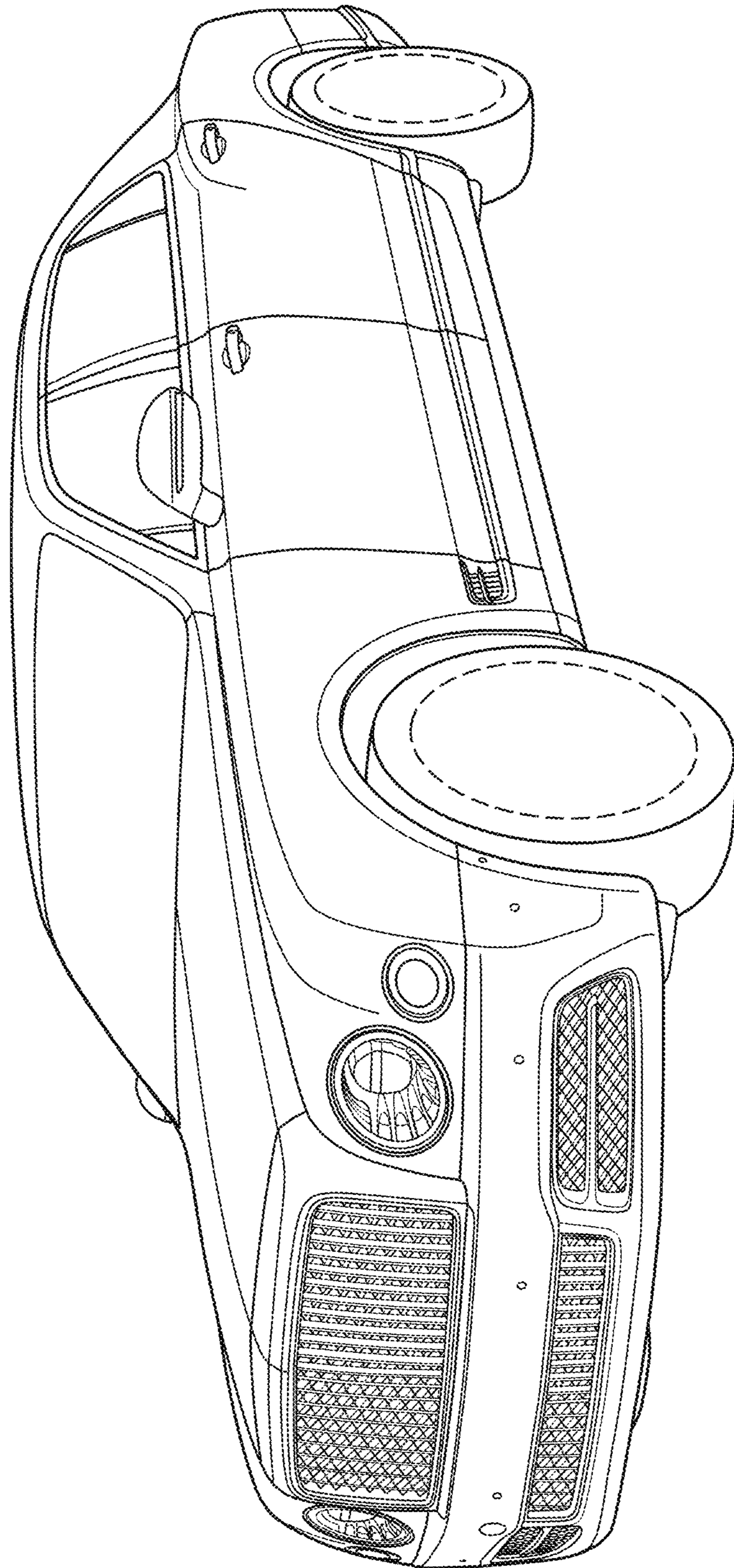


FIG. 2

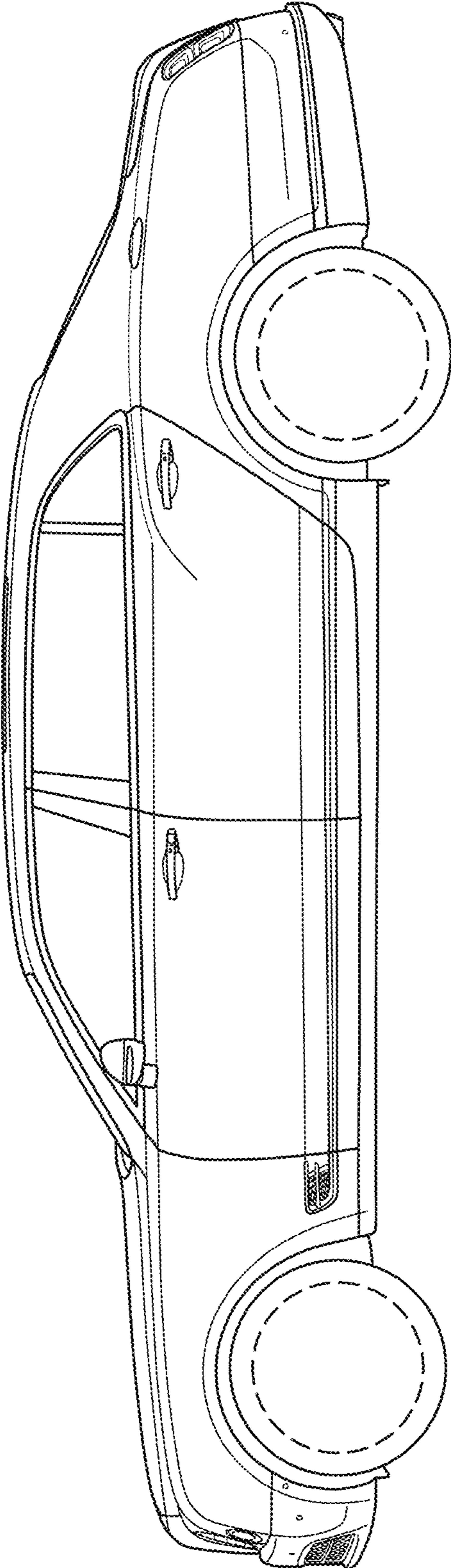


FIG. 3

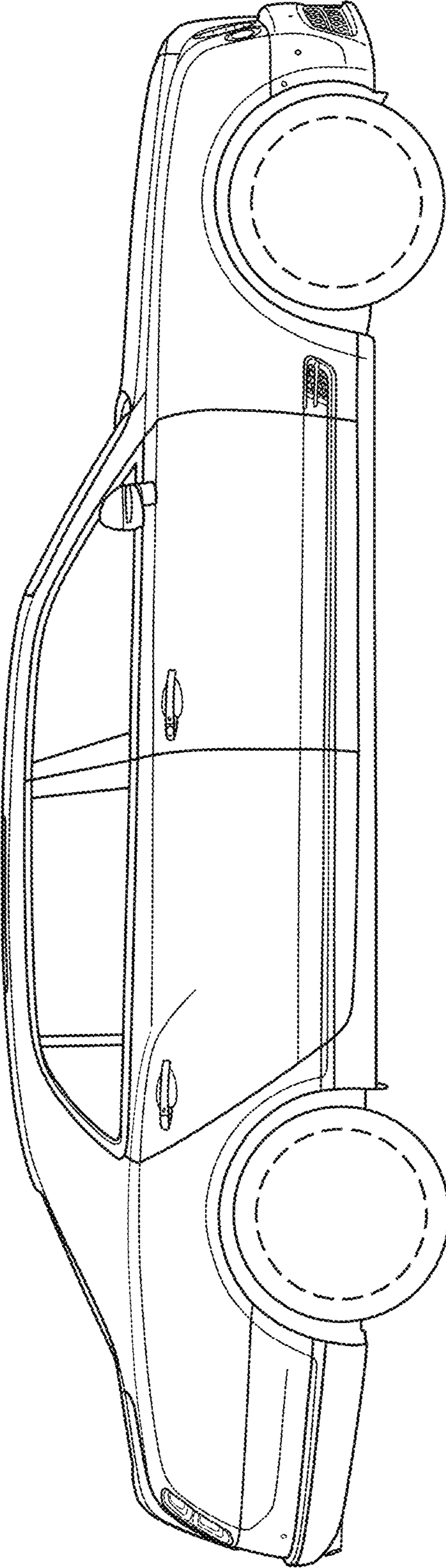


FIG. 4

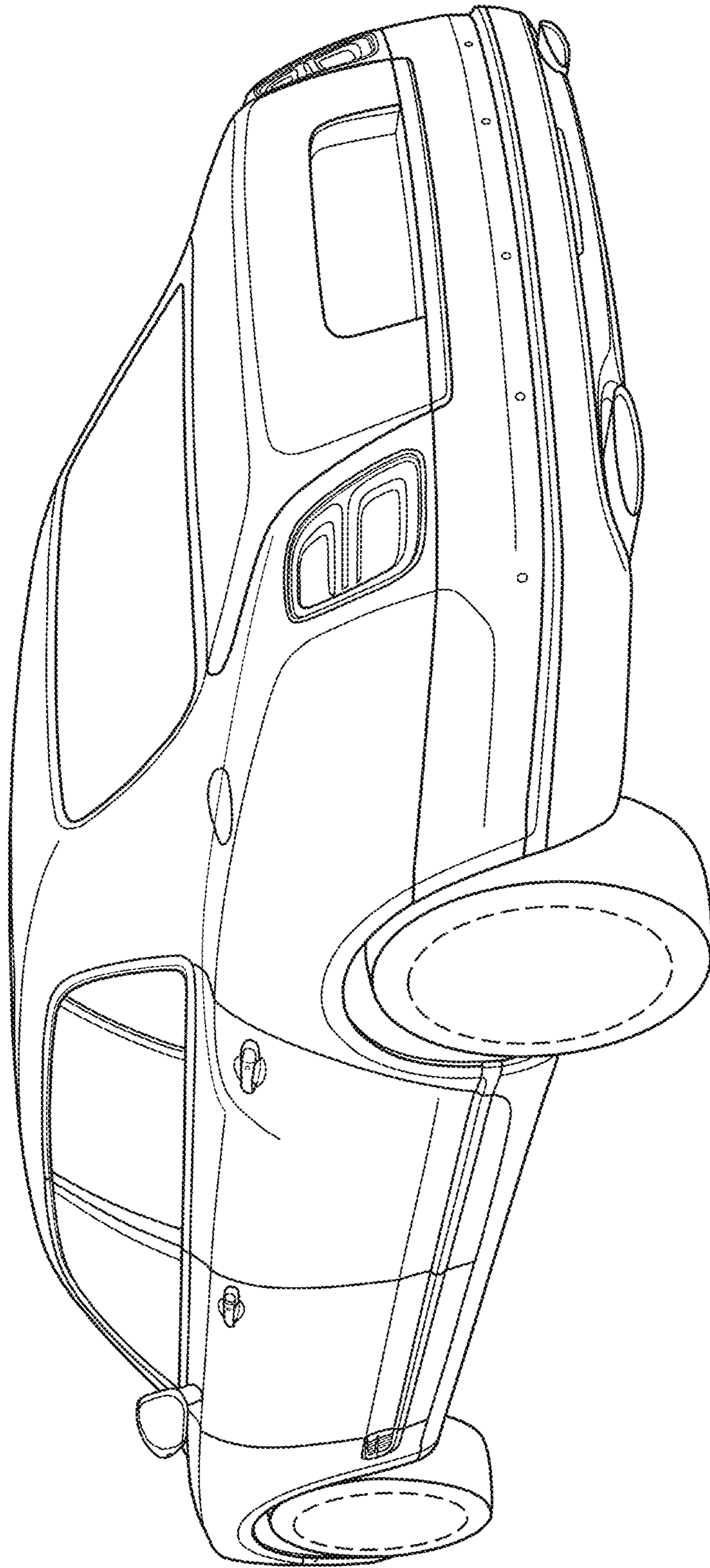


FIG. 5

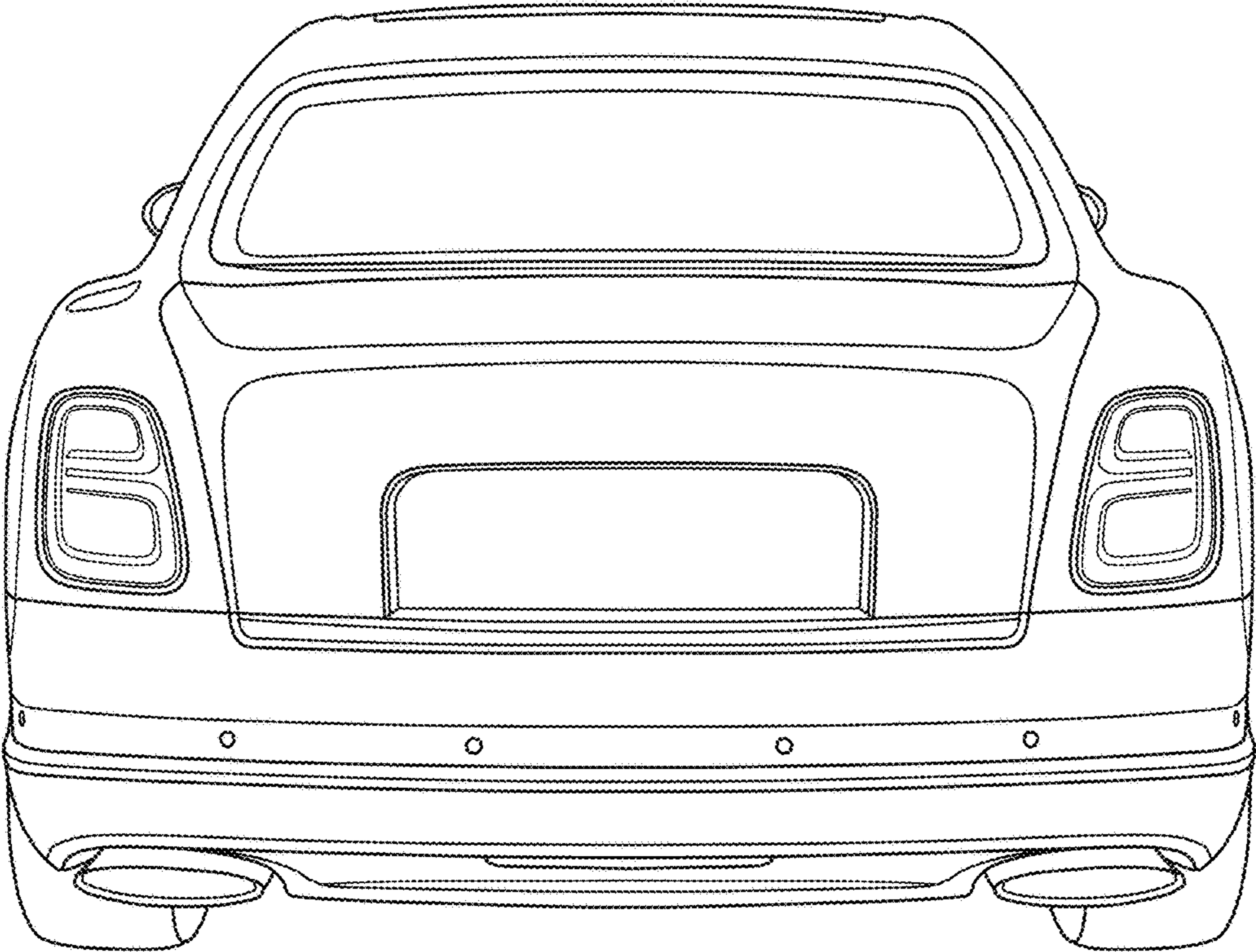


FIG. 6

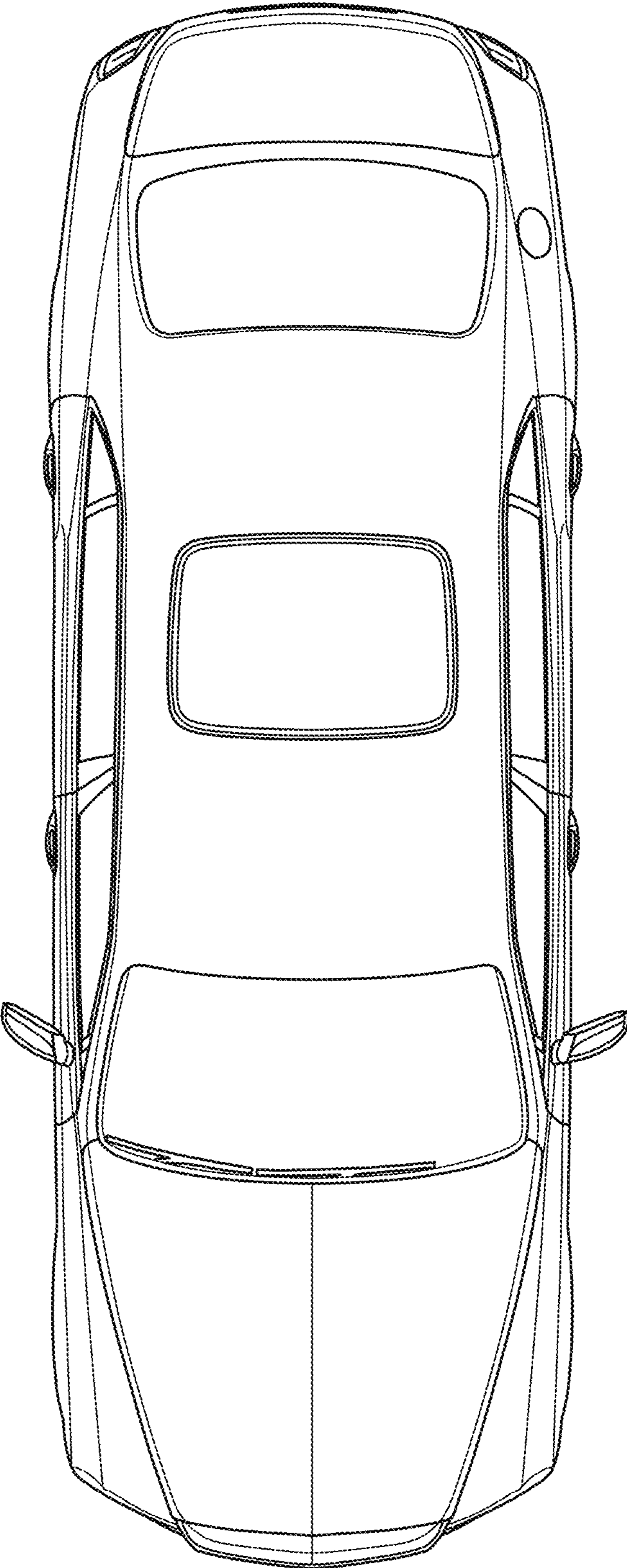


FIG. 7