



US00D825385S

(12) **United States Design Patent**
Ma

(10) **Patent No.:** **US D825,385 S**

(45) **Date of Patent:** **** Aug. 14, 2018**

(54) **AUTOMOBILE**

(71) Applicant: **MAXTRADE LLC**, South El Monte,
CA (US)

(72) Inventor: **Jeff Ma**, South El Monte, CA (US)

(73) Assignee: **MAXTRADE LLC**, South El Monte,
CA (US)

(**) Term: **15 Years**

(21) Appl. No.: **29/613,248**

(22) Filed: **Aug. 8, 2017**

(51) **LOC (11) Cl.** **12-08**

(52) **U.S. Cl.**
USPC **D12/91**

(58) **Field of Classification Search**
USPC D12/86, 90-92; D21/424, 433, 434;
296/181.1-181.5, 183.1
CPC B62D 25/00; B62D 25/06; B62D 33/00;
B62D 35/00

See application file for complete search history.

(56) **References Cited**

U.S. PATENT DOCUMENTS

D535,585 S	*	1/2007	Moushegian	D12/91
D554,563 S	*	11/2007	Moushegian	D12/91
D565,466 S	*	4/2008	Moushegian	D12/91
D568,792 S	*	5/2008	Moushegian	D12/91

D573,507 S	*	7/2008	Moushegian	D12/91
D624,851 S	*	10/2010	Feng	D12/91
D801,860 S	*	11/2017	Piscitelli	D12/91
D810,626 S	*	2/2018	Macey	D12/91
D811,270 S	*	2/2018	Zhang	D12/91
D814,354 S	*	4/2018	Fisker	D12/91

* cited by examiner

Primary Examiner — Melody N Brown

(74) *Attorney, Agent, or Firm* — U.S. Fairsky LLP; Yue
(Robert) Xu

(57) **CLAIM**

The ornamental design for an automobile, as shown and described.

DESCRIPTION

FIG. 1 is a front view of an automobile, showing our new design;

FIG. 2 is a rear view thereof;

FIG. 3 is a left view thereof;

FIG. 4 is a right view thereof;

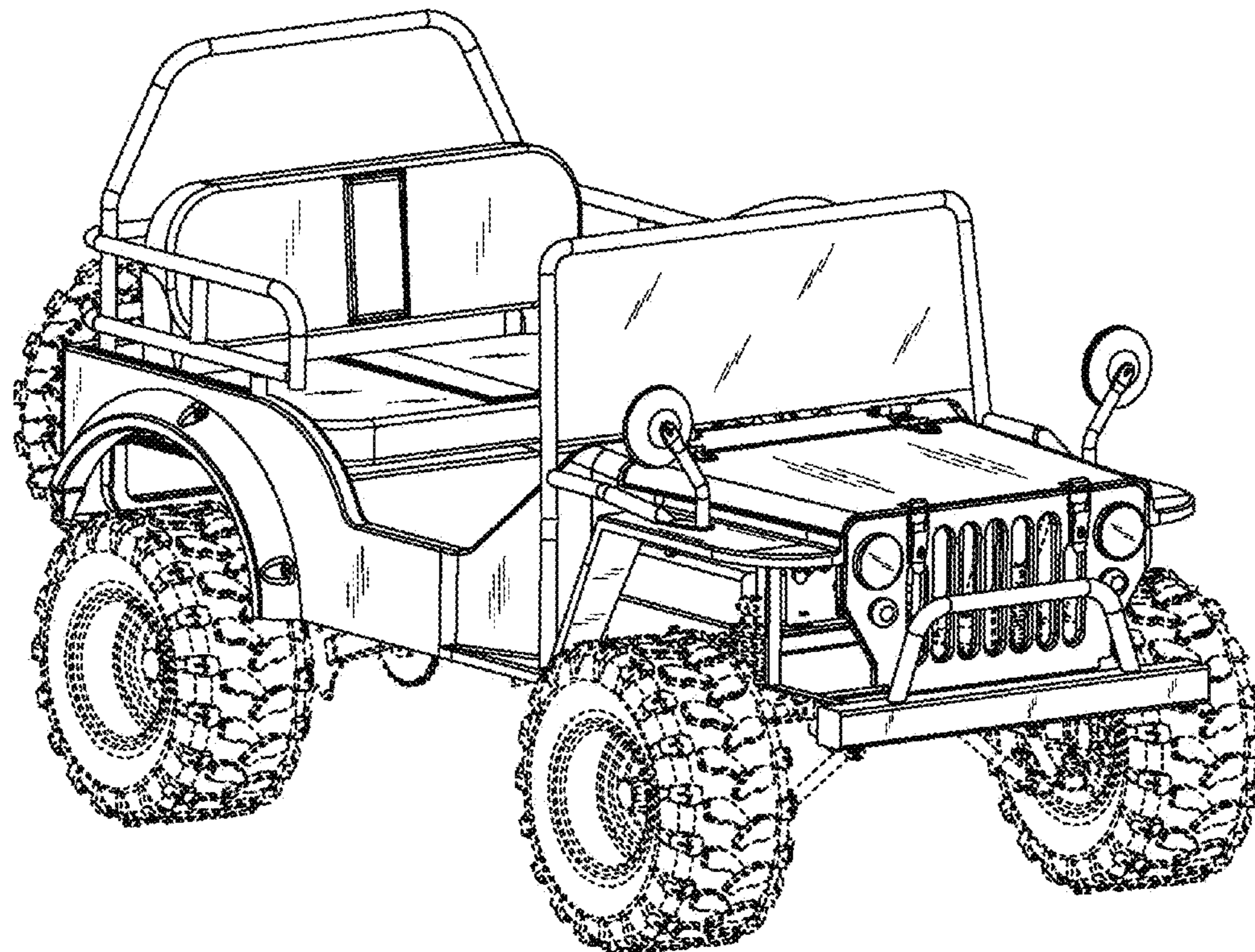
FIG. 5 is a top view thereof;

FIG. 6 is a front perspective view thereof; and,

FIG. 7 is a rear perspective view thereof.

The broken lines present in the figures are included for the purpose of illustrating portions of the automobile that form no part of the claimed design.

1 Claim, 7 Drawing Sheets



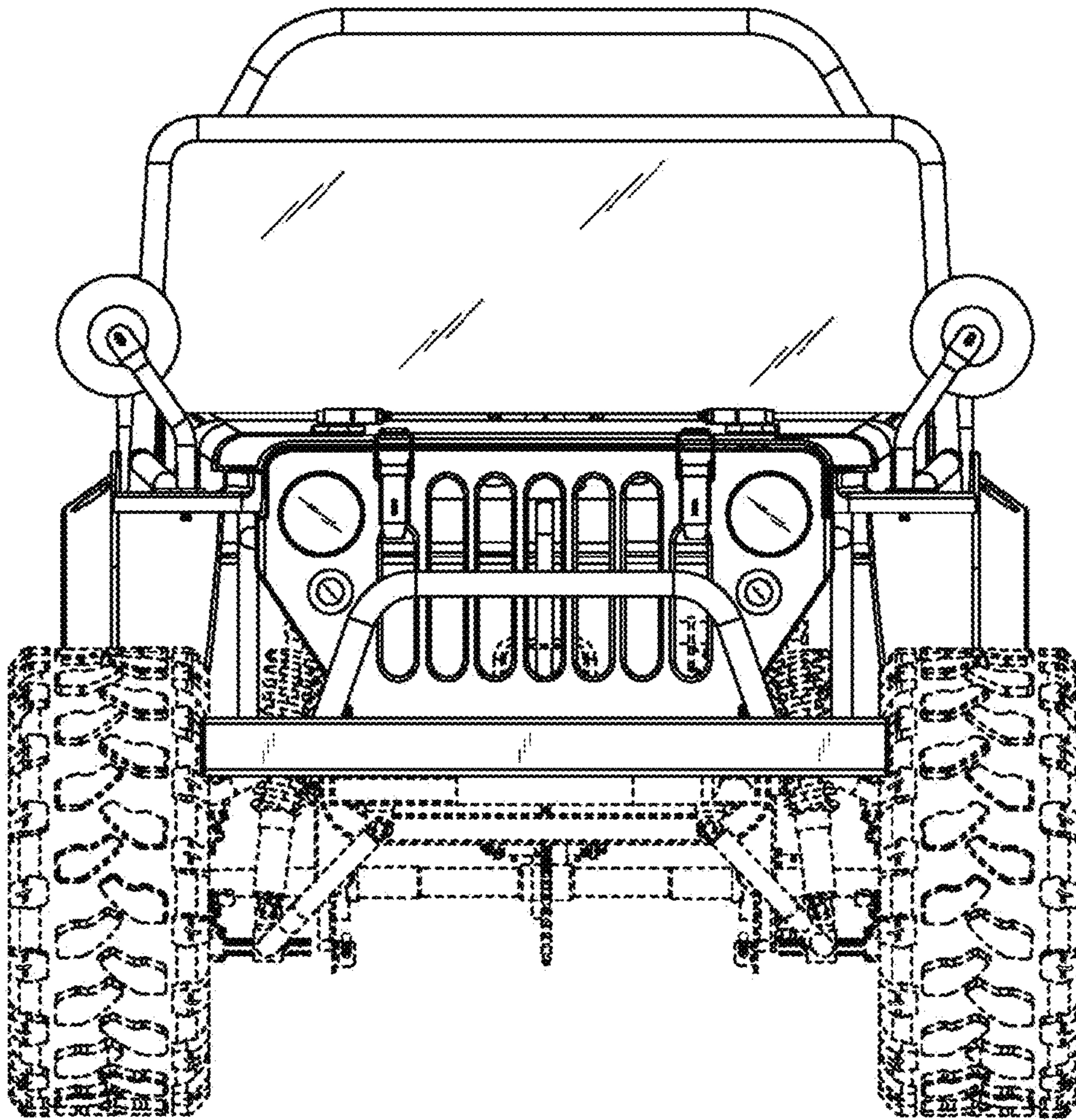


Figure 1

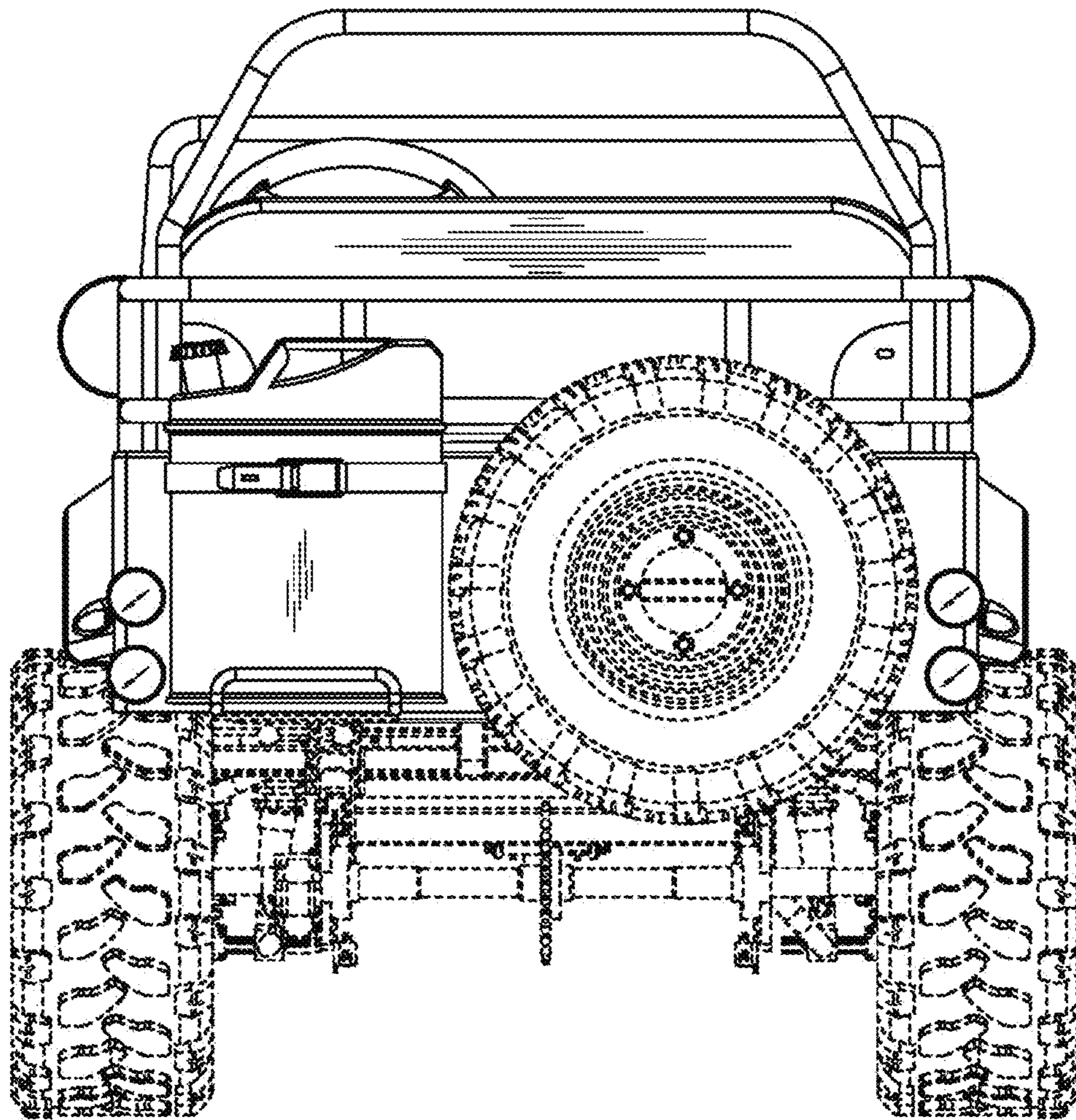


Figure 2

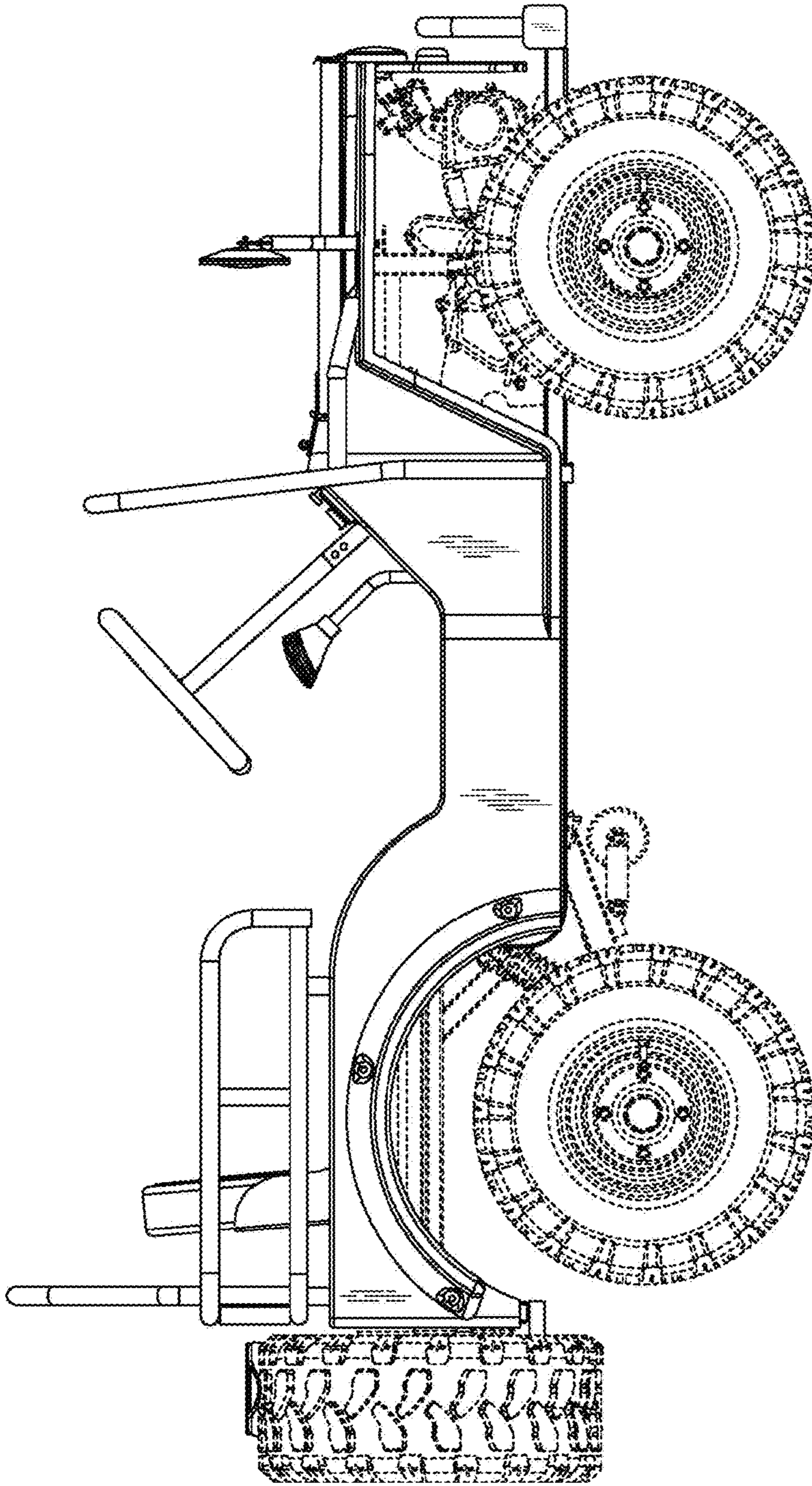


Figure 3

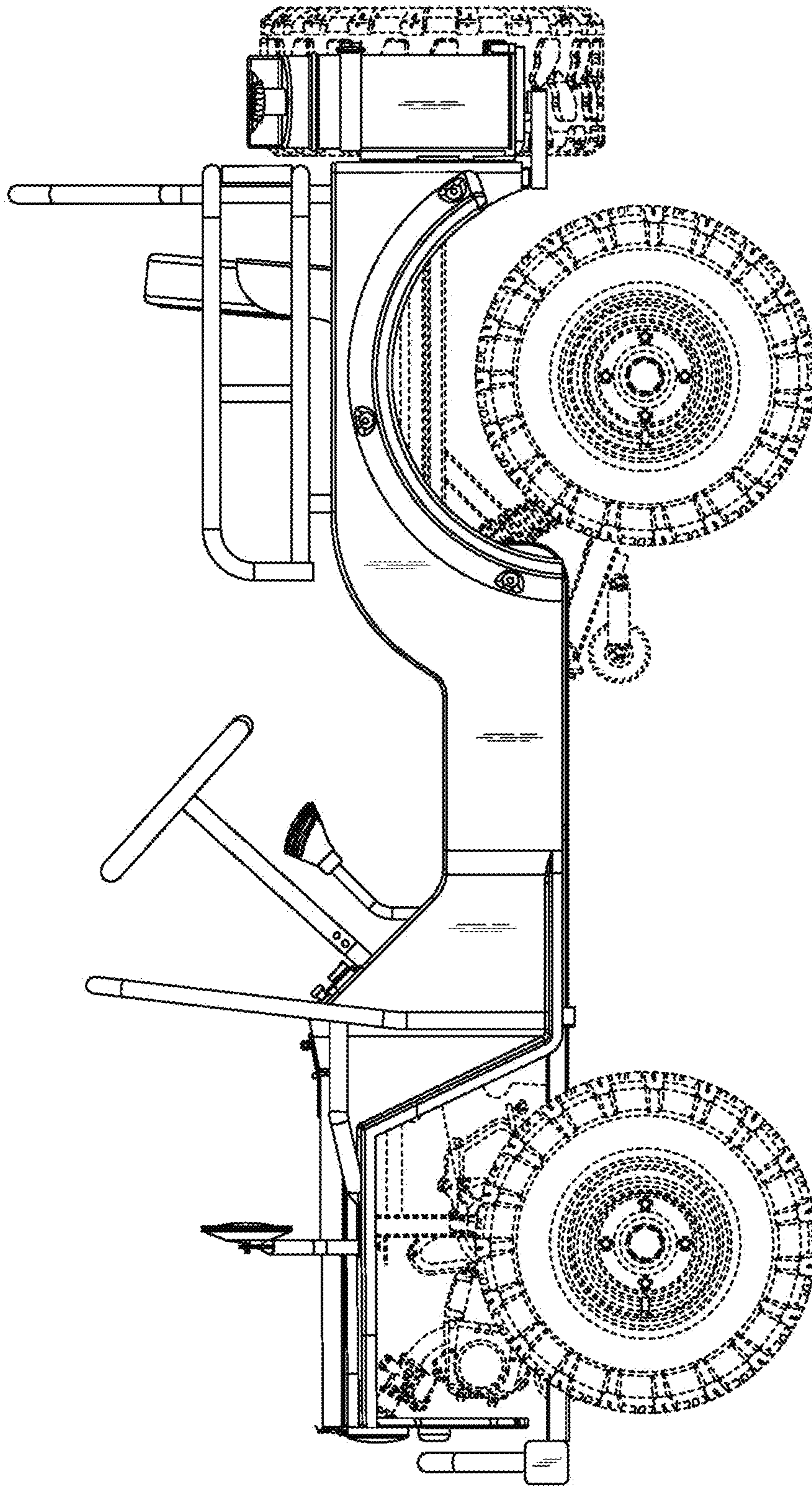


Figure 4

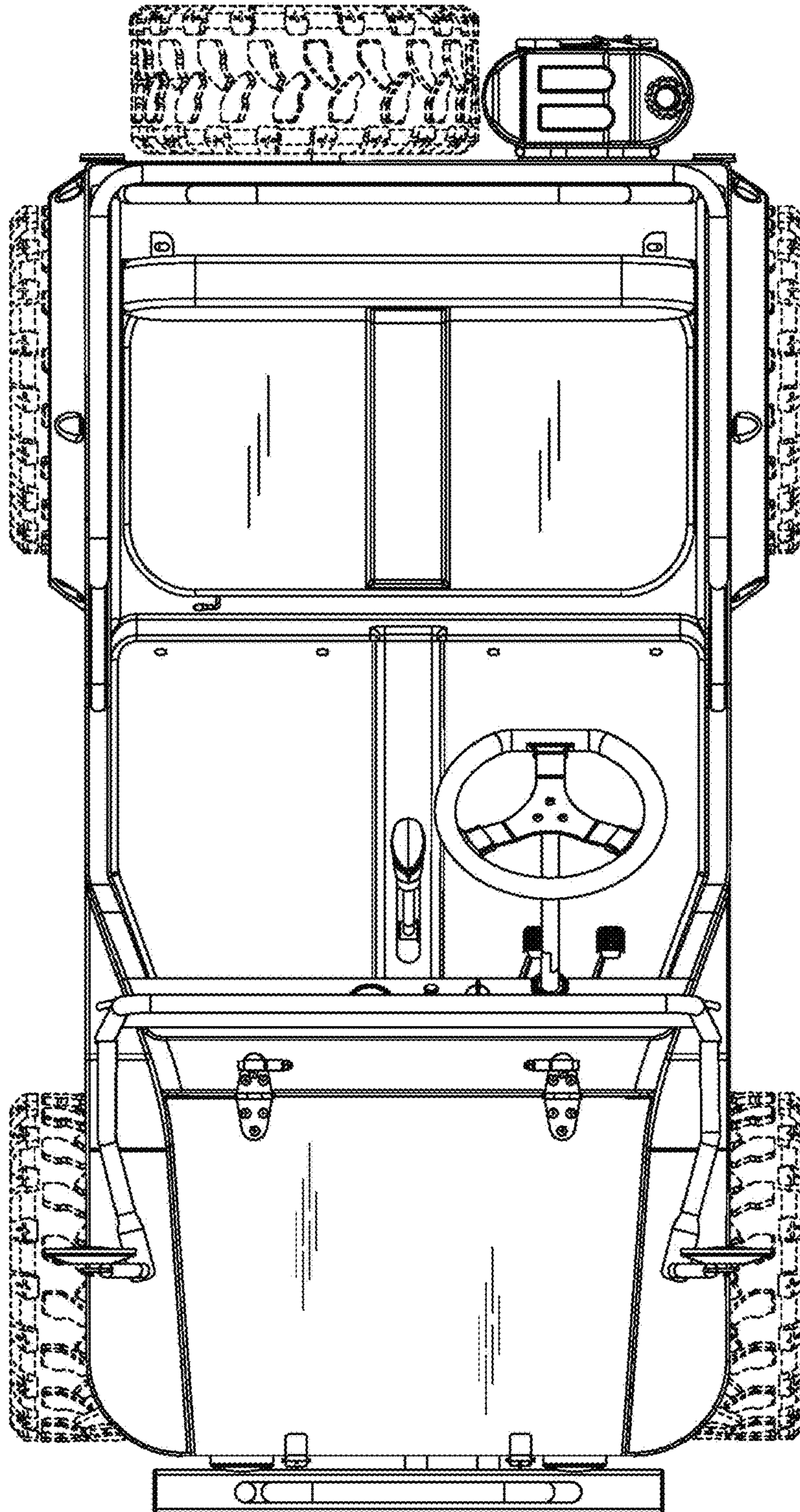


Figure 5

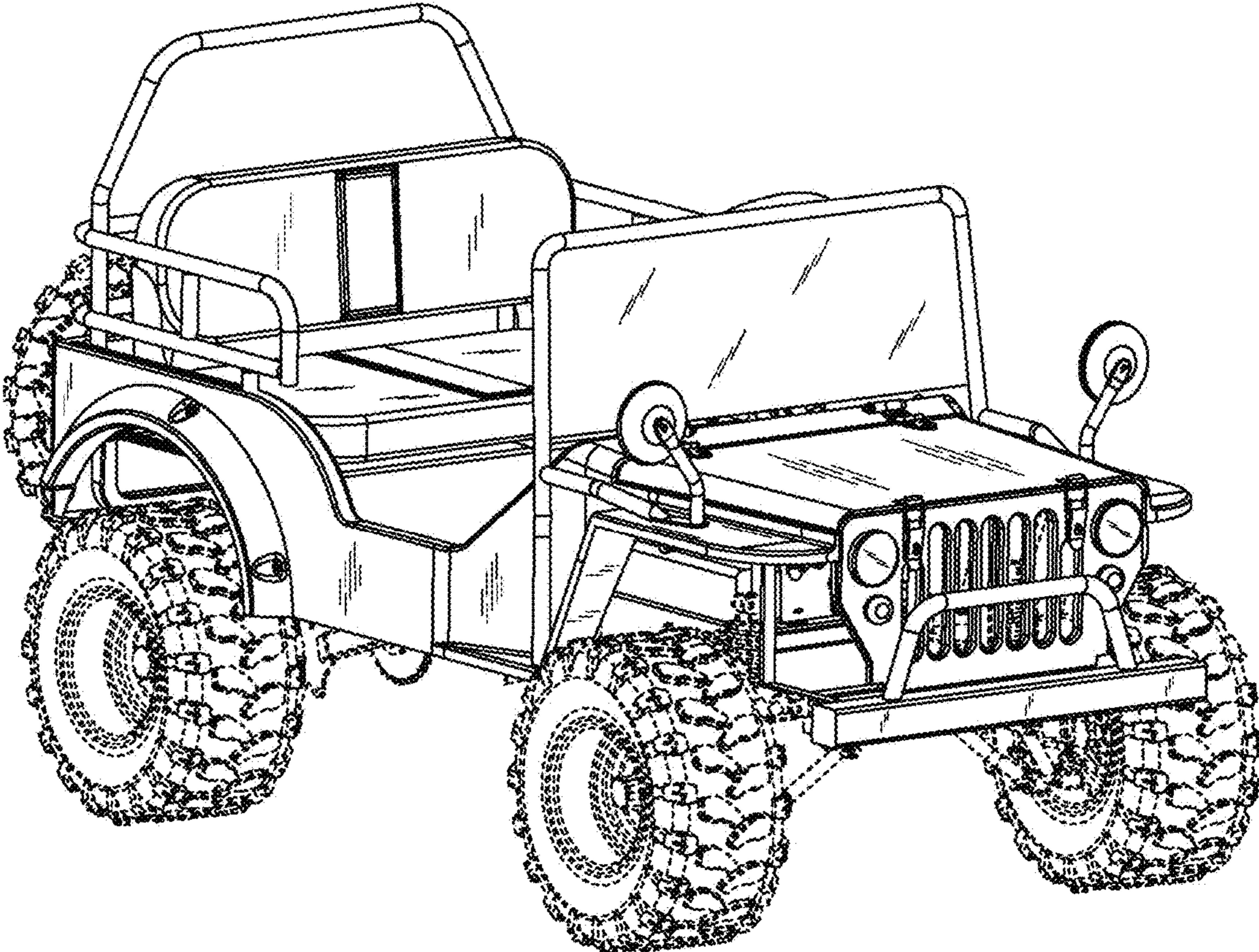


Figure 6

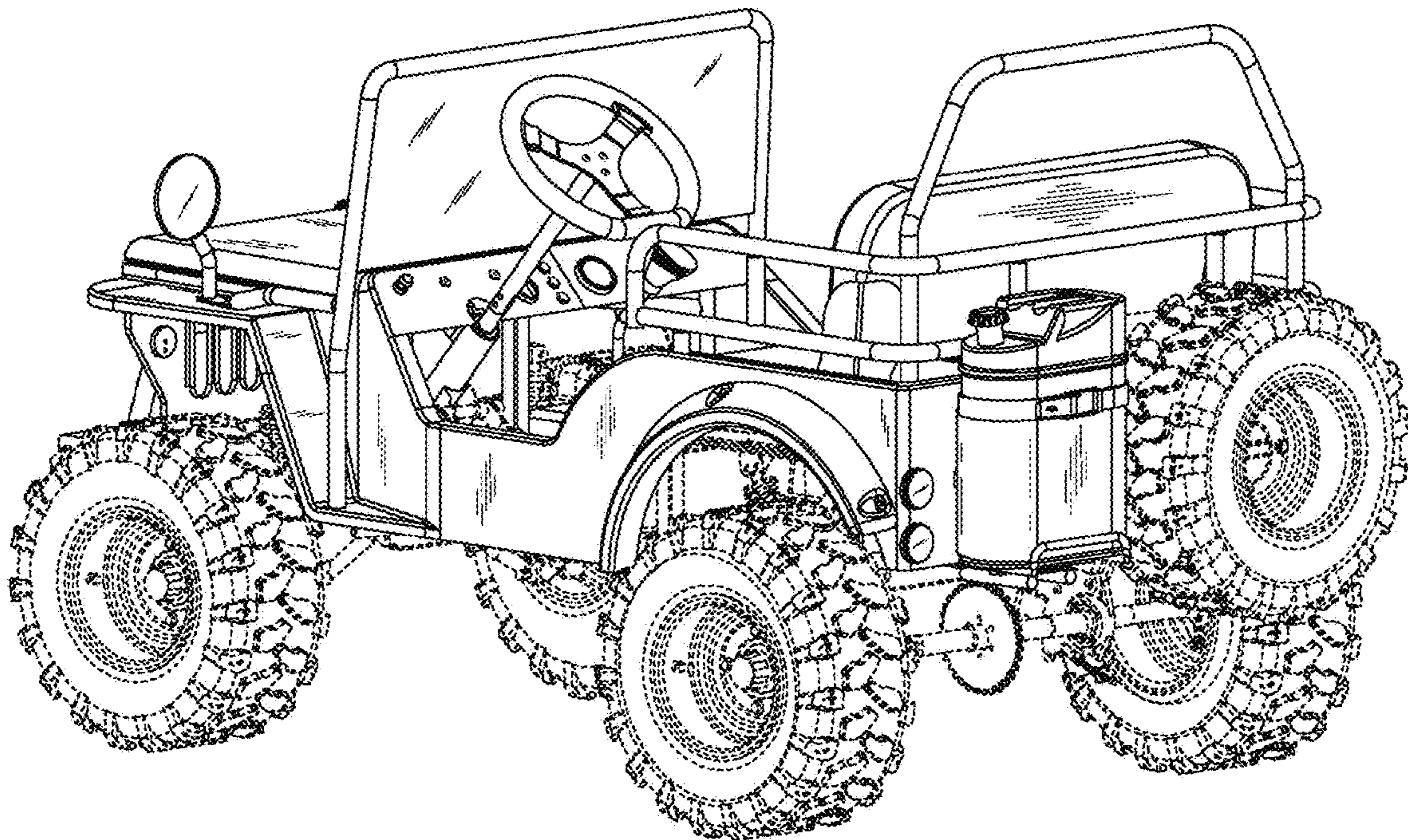


Figure 7