



US00D825383S

(12) **United States Design Patent** (10) **Patent No.:** **US D825,383 S**
Luk (45) **Date of Patent:** **** Aug. 14, 2018**

(54) **VEHICLE, TOY, AND/OR REPLICAS THEREOF**

DESCRIPTION

(71) Applicant: **Bayerische Motoren Werke Aktiengesellschaft, Munich (DE)**

(72) Inventor: **Calvin Luk, Munich (DE)**

(73) Assignee: **Bayerische Motoren Werke Aktiengesellschaft, Munich (DE)**

(**) Term: **15 Years**

(21) Appl. No.: **29/605,288**

(22) Filed: **May 25, 2017**

(30) **Foreign Application Priority Data**

Nov. 30, 2016 (DE) 40 2016 101 440

(51) **LOC (11) Cl.** **12-08**

(52) **U.S. Cl.**
USPC **D12/91**

(58) **Field of Classification Search**
USPC D12/86, 90-92, 88; D21/421, 433, 434;
296/181.1, 181.5

(Continued)

(56) **References Cited**

U.S. PATENT DOCUMENTS

D621,747 S * 8/2010 Huet D12/91
D710,760 S * 8/2014 Johnson D12/91

(Continued)

FOREIGN PATENT DOCUMENTS

EM 001728643-0001 3/2011

Primary Examiner — Melody N Brown

(74) *Attorney, Agent, or Firm* — Crowell & Moring LLP

(57) **CLAIM**

The ornamental design for a vehicle, toy, and/or replicas thereof, as shown and described.

This application contains subject matter related to the following U.S. design patent applications:
 Application Ser. No. 29/605,289, filed herewith and entitled “Hood for a Vehicle”;
 Application Ser. No. 29/605,290, filed herewith and entitled “Front Bumper for a Vehicle”;
 Application Ser. No. 29/605,291, filed herewith and entitled “Front Fender for a Vehicle”;
 Application Ser. No. 29/605,292, filed herewith and entitled “Rear Fender for a Vehicle”;
 Application Ser. No. 29/605,294, filed herewith and entitled “Tailgate for a Vehicle”;
 Application Ser. No. 29/605,295, filed herewith and entitled “Rear Bumper for a Vehicle”;
 Application Ser. No. 29/605,296, filed herewith and entitled “Front Bumper for a Vehicle”;
 Application Ser. No. 29/605,297, filed herewith and entitled “Rear Bumper for a Vehicle”;
 Application Ser. No. 29/605,298, filed herewith and entitled “Headlight for a Vehicle”;
 Application Ser. No. 29/605,299, filed herewith and entitled “Headlight for a Vehicle”;
 Application Ser. No. 29/605,301, filed herewith and entitled “Headlight for a Vehicle”;
 Application Ser. No. 29/605,302, filed herewith and entitled “Taillight for a Vehicle”;
 Application Ser. No. 29/605,303, filed herewith and entitled “Taillight for a Vehicle”;
 Application Ser. No. 29/605,305, filed herewith and entitled “Taillight for a Vehicle”; and
 Application Ser. No. 29/605,306, filed herewith and entitled “Taillight for a Vehicle”.

FIG. 1 is a left, front perspective view of a vehicle, toy, and/or replicas thereof according to the design;
 FIG. 2 is a left side view thereof;
 FIG. 3 is a right side view thereof;
 FIG. 4 is a right, rear perspective view thereof;
 FIG. 5 is a front view thereof;
 FIG. 6 is a rear view thereof; and,
 FIG. 7 is a top view thereof.

1 Claim, 7 Drawing Sheets



(58) **Field of Classification Search**

CPC B62D 35/00; B62D 25/00; B62D 25/06;
B62D 33/00

See application file for complete search history.

(56) **References Cited**

U.S. PATENT DOCUMENTS

D716,189 S	10/2014	Nordmann	
D743,846 S *	11/2015	Guille	D12/92
D757,607 S *	5/2016	Nissl	D12/91
D762,524 S	8/2016	Luk	
D787,986 S *	5/2017	Kang	D12/88
D813,726 S *	3/2018	Tanghe	D12/91

* cited by examiner



Fig. 1



Fig. 2

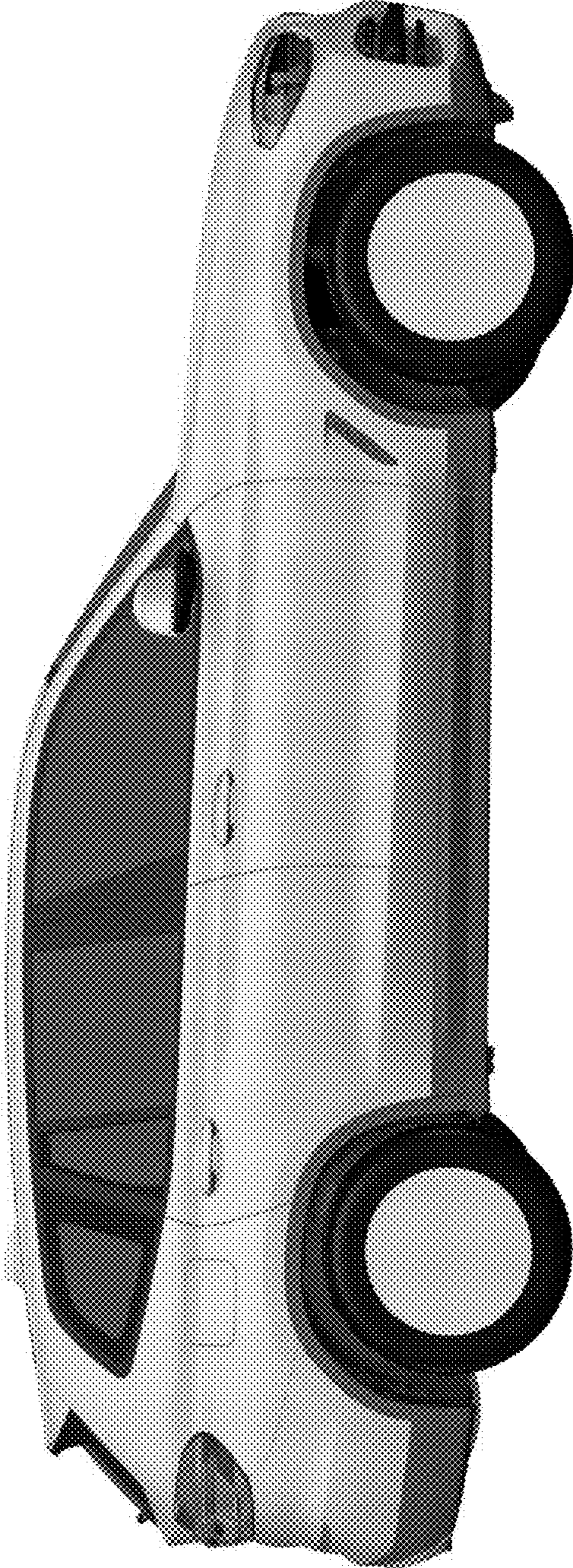


Fig. 3

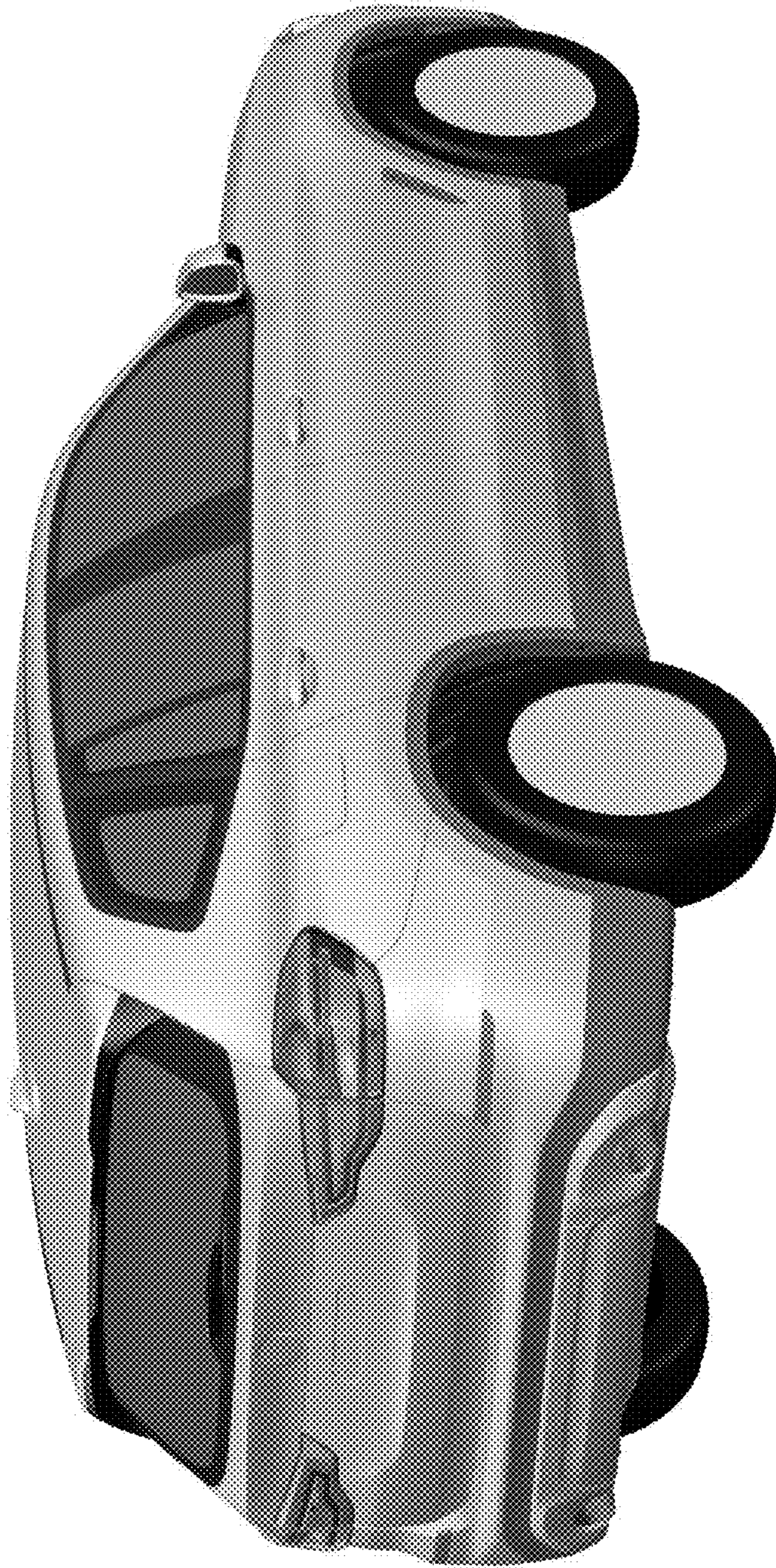


Fig. 4

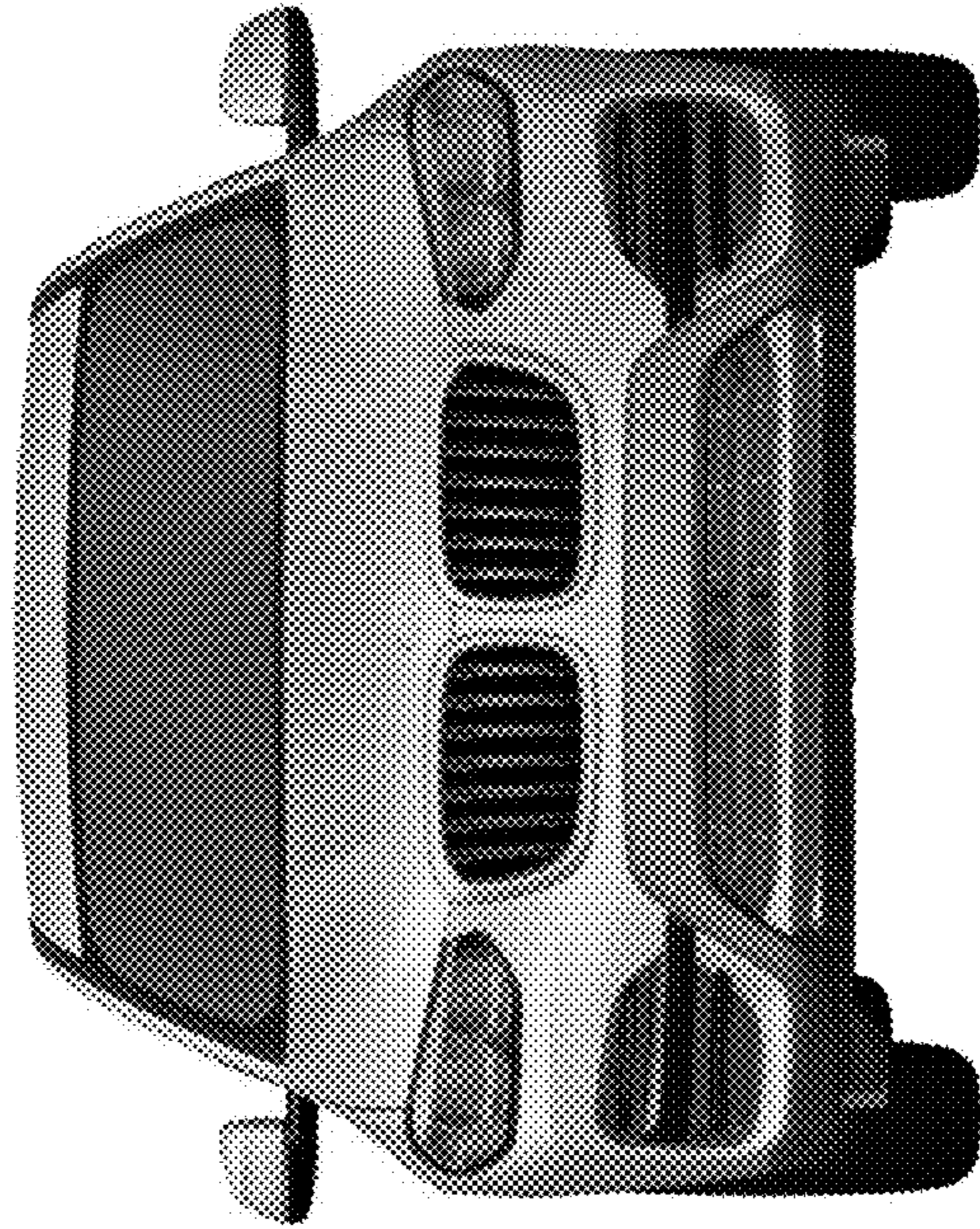


Fig. 5

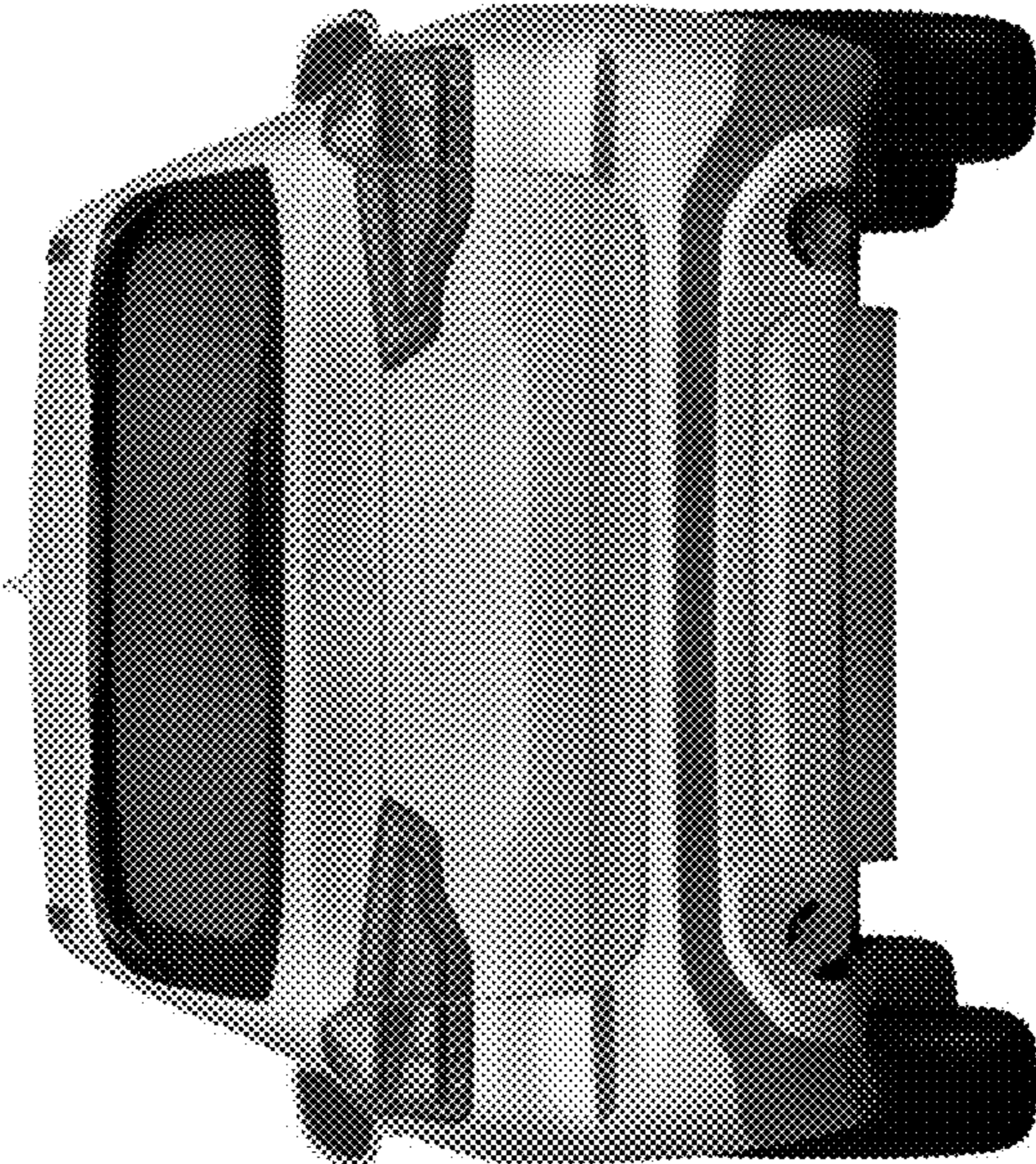


Fig. 6

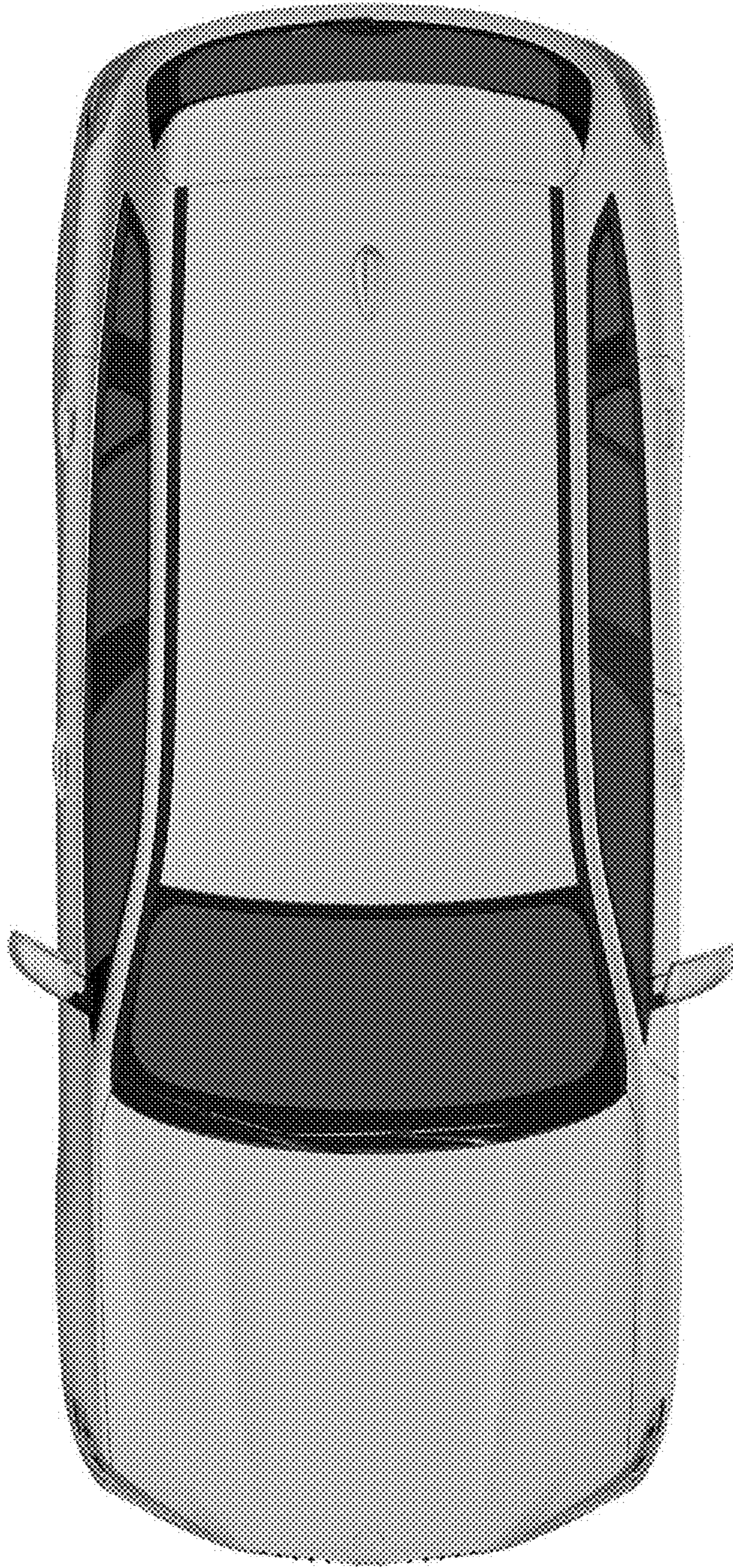


Fig. 7