



US00D825377S

(12) **United States Design Patent**
Mockler et al.

(10) **Patent No.:** **US D825,377 S**

(45) **Date of Patent:** **** Aug. 14, 2018**

(54) **WINDOW BOX WITH HANDLES**
(71) Applicant: **EDIBLE ARRANGEMENTS, LLC**,
Wallingford, CT (US)
(72) Inventors: **Cynthia Mockler**, North Haven, CT
(US); **Ricardo Perez**, Broad Brook, CT
(US)
(73) Assignee: **Edible IP, LLC**, Wallingford, CT (US)

D296,089 S * 6/1988 Pouliot D11/143
D352,516 S * 11/1994 Newman D24/218
D406,946 S * 3/1999 Larson D3/308
6,434,882 B1 * 8/2002 Becker A01G 9/20
47/19.1
D468,663 S * 1/2003 Fan D11/156
D486,420 S * 2/2004 Fan D11/156
D520,239 S * 5/2006 Rand D3/304
D714,184 S * 9/2014 Lucht D11/155
2008/0302943 A1 * 12/2008 Lunato A47G 7/044
248/558

(**) Term: **15 Years**

* cited by examiner

(21) Appl. No.: **29/595,900**

Primary Examiner — Karen S Acker

(22) Filed: **Mar. 2, 2017**

Assistant Examiner — Steven B Reinholdt, Jr.

(51) **LOC (11) Cl.** **11-02**

(74) *Attorney, Agent, or Firm* — DLA Piper LLP (US)

(52) **U.S. Cl.**
USPC **D11/156**

(57) **CLAIM**

(58) **Field of Classification Search**
USPC D11/151, 154, 156, 152, 157, 143, 148,
D11/425; D6/403, 405, 513, 556, 572,
D6/565, 573, 675.1, 680.1; D21/338;
D23/267; D25/164; D34/7; D3/276,
D3/292, 308, 313, 315; D7/359, 550.1,
D7/554.3, 600; D8/381; D99/5; D9/425
CPC A47G 7/044; A01G 31/02
See application file for complete search history.

We claim the ornamental design for a window box with handles, substantially as shown and described.

DESCRIPTION

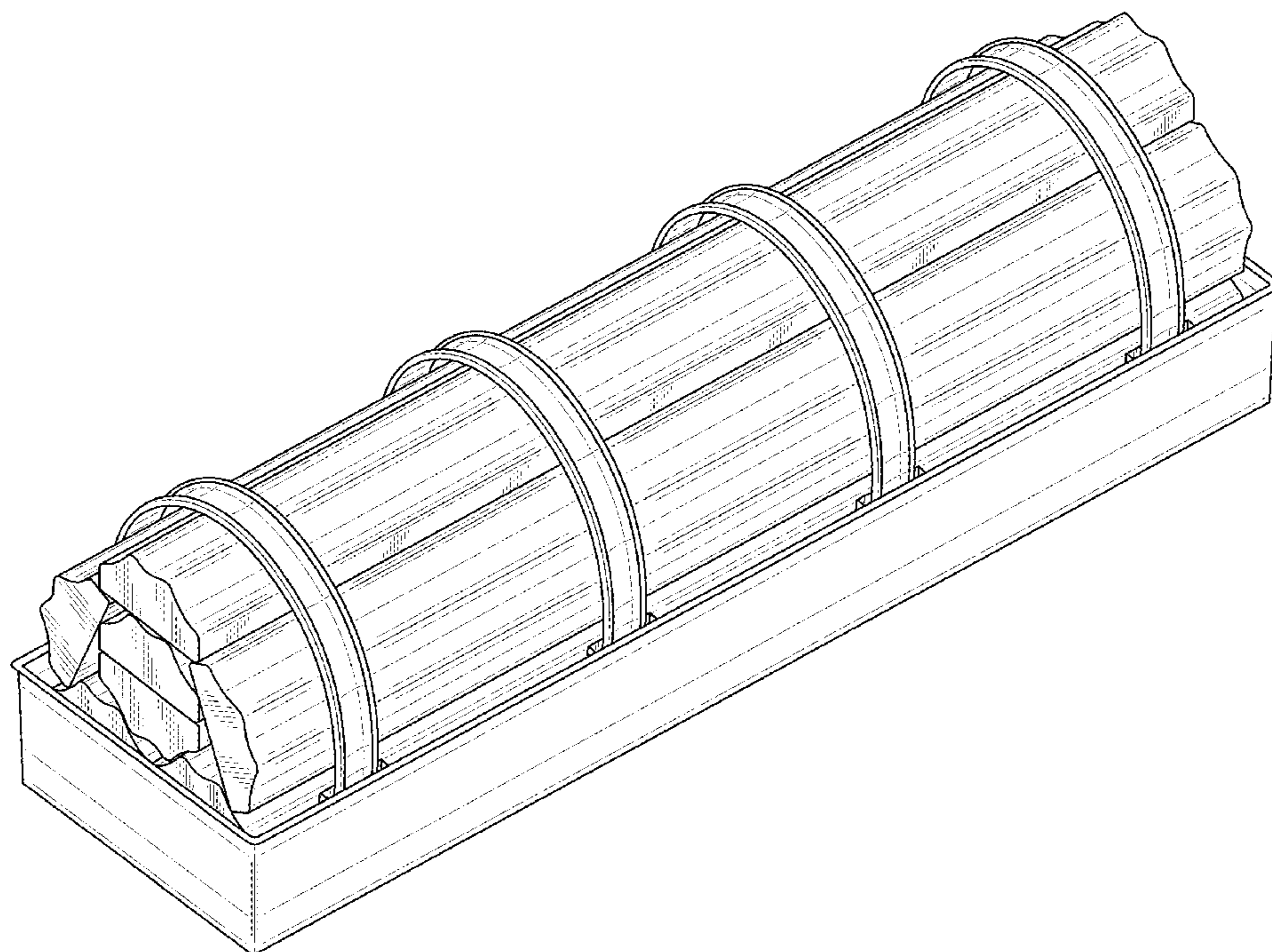
(56) **References Cited**

U.S. PATENT DOCUMENTS

487,836 A * 12/1892 Hurst A01K 39/014
119/61.3
4,651,466 A * 3/1987 Robinson A01G 9/20
47/19.1

FIG. 1 is a front perspective view of a window box with handles including foam inserts in accordance with the present invention;
FIG. 2 is a left side view of the window box with handles including foam inserts in FIG. 1;
FIG. 3 is a right side view thereof;
FIG. 4 is a front view thereof;
FIG. 5 is a back view thereof;
FIG. 6 is a top view thereof; and,
FIG. 7 is a bottom view thereof.

1 Claim, 6 Drawing Sheets



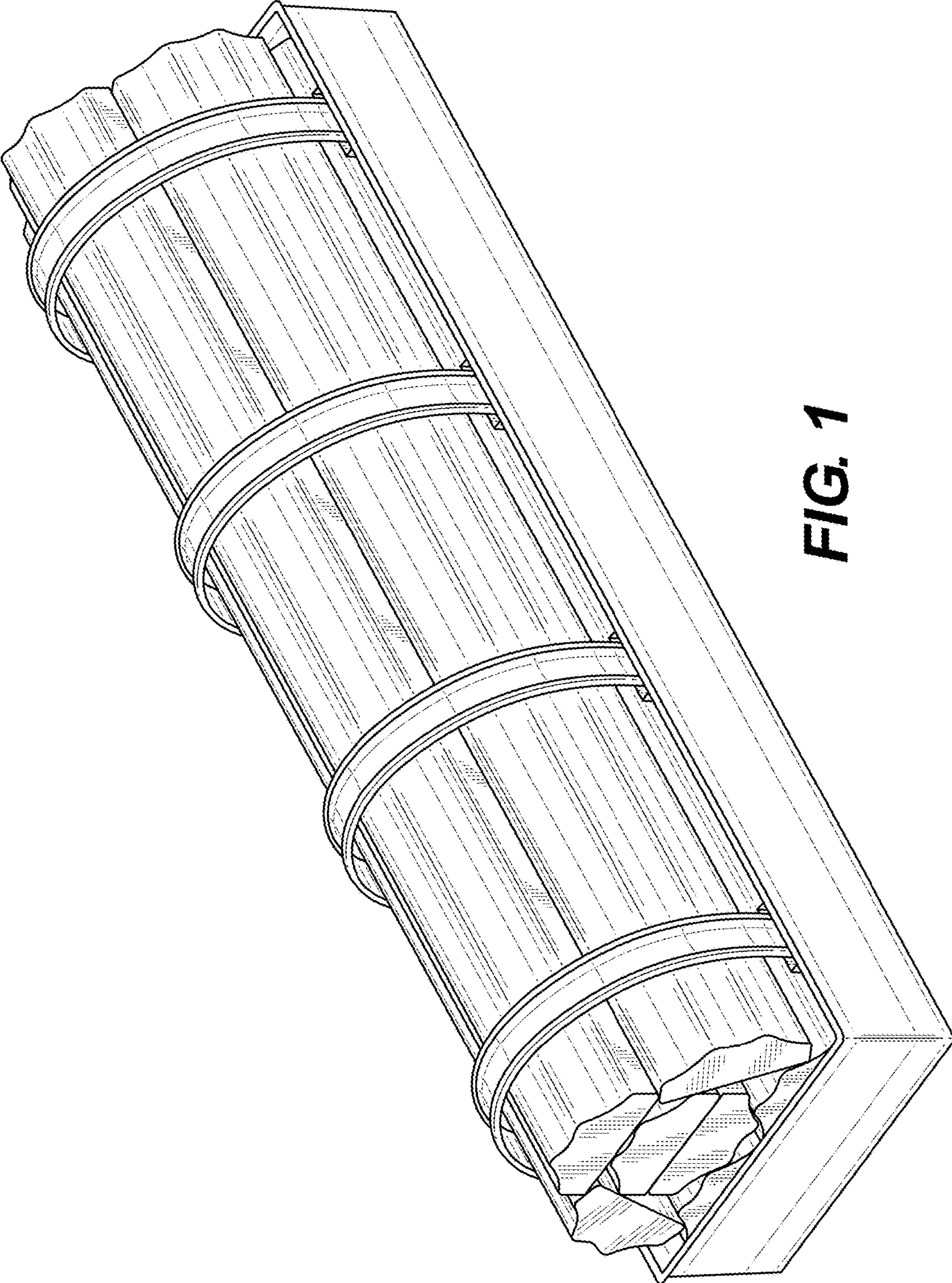


FIG. 1

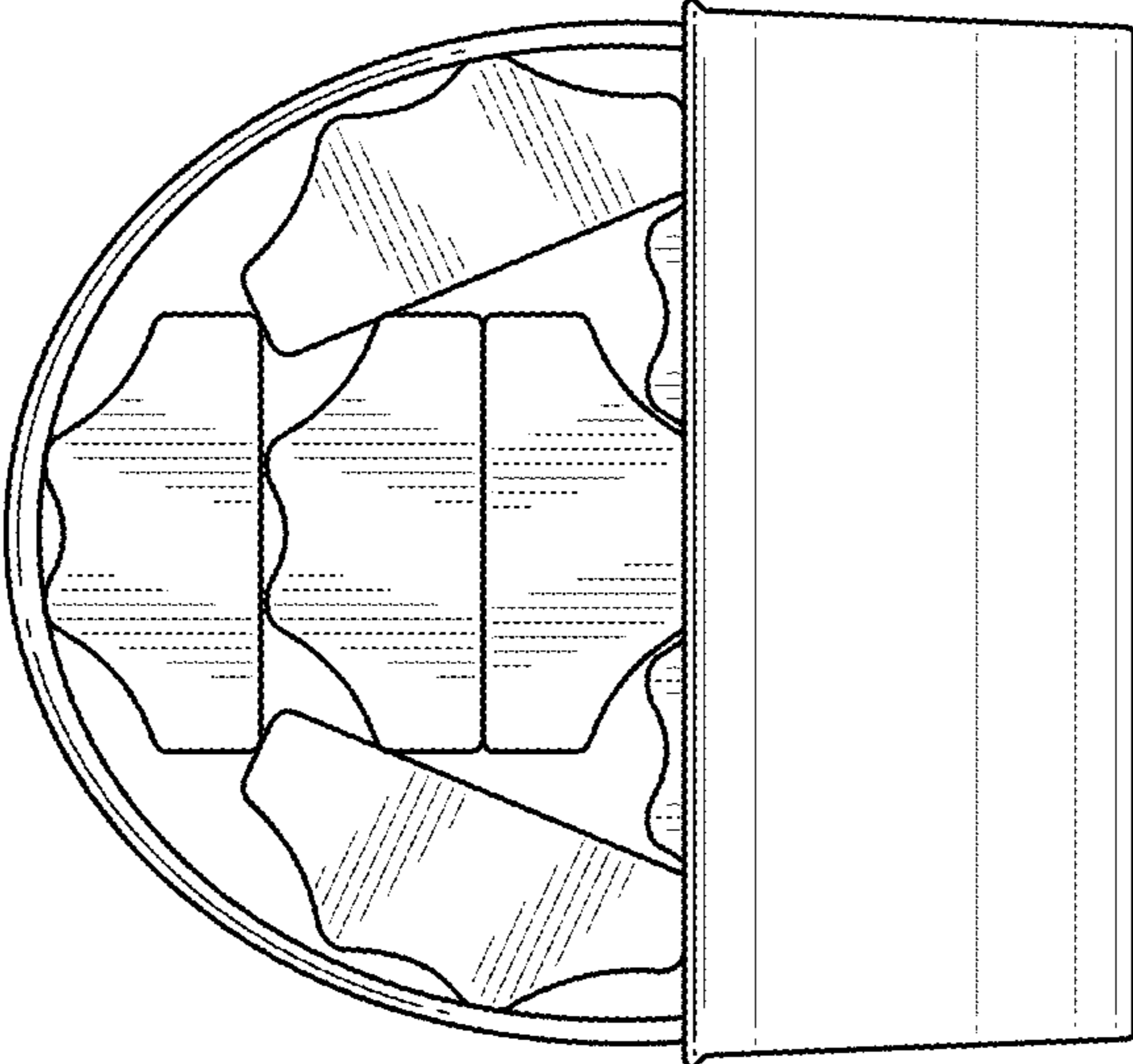


FIG. 2

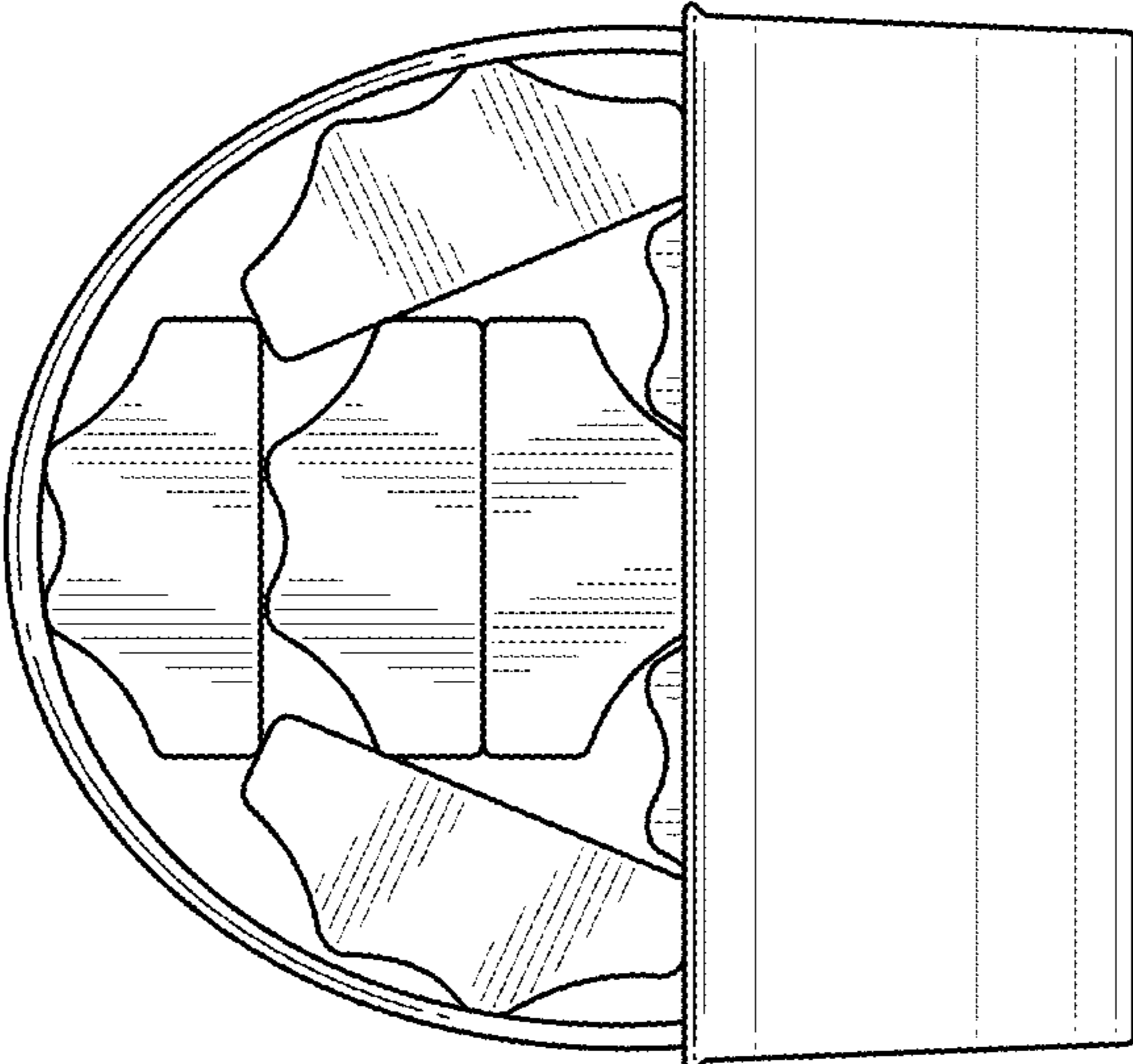


FIG. 3

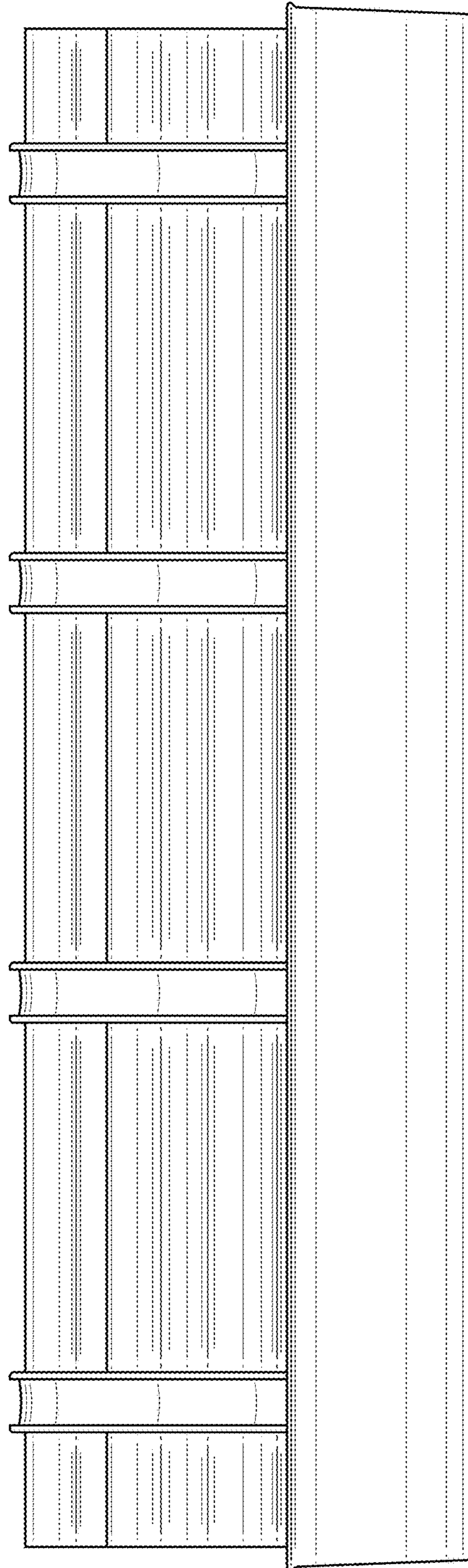


FIG. 4

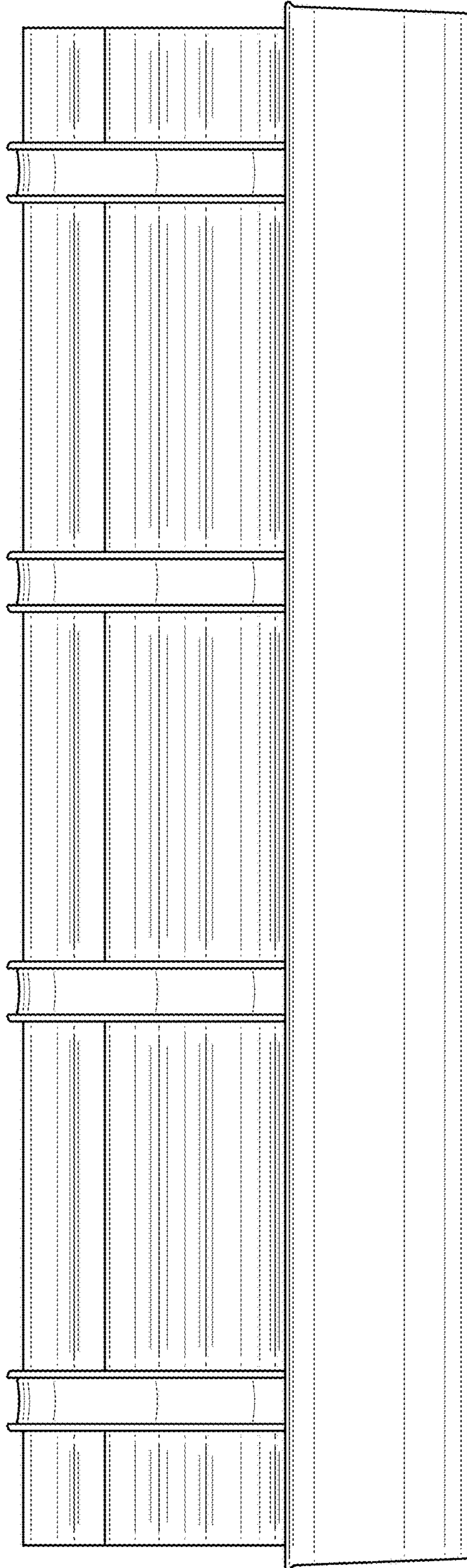


FIG. 5

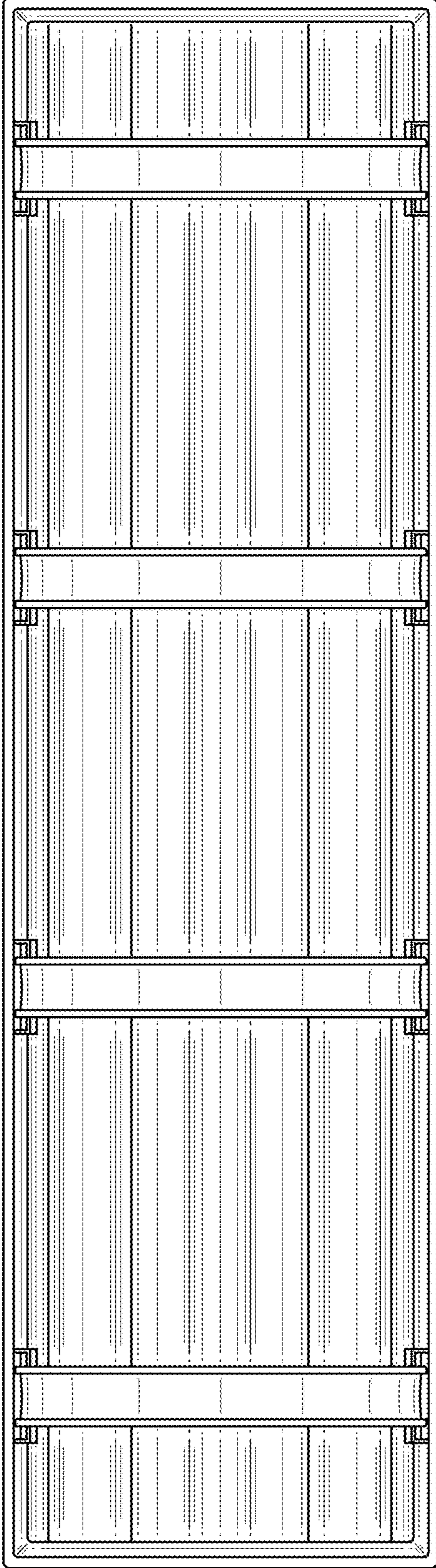


FIG. 6

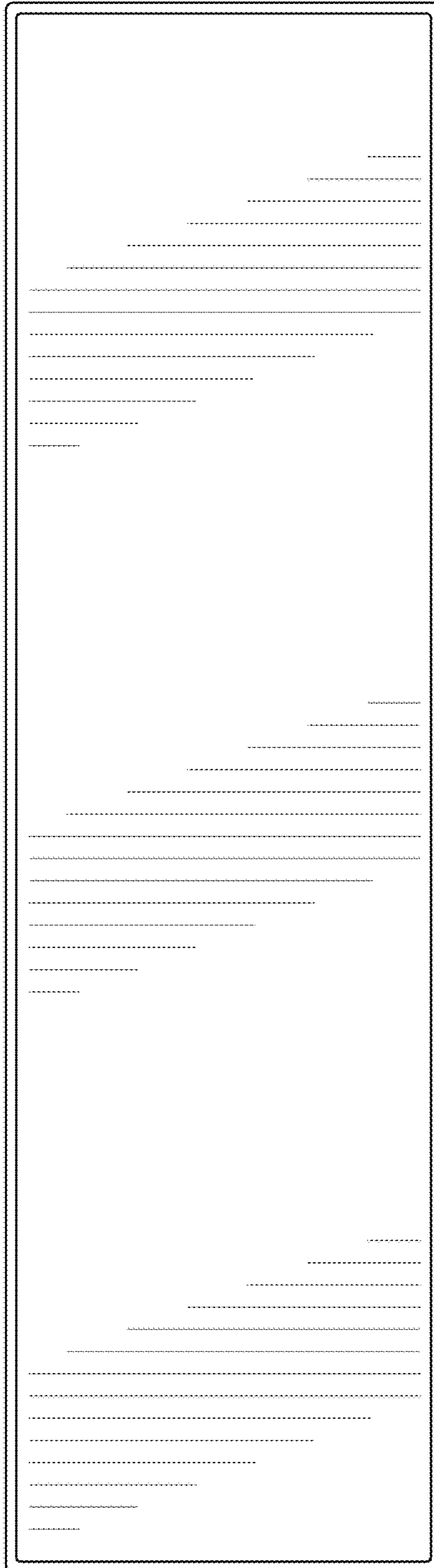


FIG. 7