



US00D825375S

(12) **United States Design Patent** (10) **Patent No.:** **US D825,375 S**
Zhao (45) **Date of Patent:** **** Aug. 14, 2018**

- (54) **TREE STAND**
- (71) Applicant: **NINGBO FLYING-HORSE INTERNATIONAL TRADE CO., LTD, Ningbo (CN)**
- (72) Inventor: **Honghua Zhao, Ningbo (CN)**
- (73) Assignee: **Ningbo Flying-Horse International Trade Co., Ltd., Ningbo (CN)**
- (**) Term: **15 Years**
- (21) Appl. No.: **29/585,406**
- (22) Filed: **Nov. 23, 2016**
- (51) **LOC (11) Cl.** **06-99**
- (52) **U.S. Cl.**
USPC **D11/130.1**
- (58) **Field of Classification Search**
USPC ... D11/117, 121, 130, 130.1, 131, 143, 144, D11/152, 153, 154; 428/7, 8, 9, 12, 15, 428/19, 20; 248/519, 523-526; 47/39, 47/40.5, 41.01, 41.1, 41.11-41.15, 42, 43
CPC . E04H 12/2238; E04H 12/3346; A47G 33/12; A47G 33/1206; A47G 33/1213; A47G 33/1226; A47G 33/1246; A47G 33/126
See application file for complete search history.

- (56) **References Cited**
U.S. PATENT DOCUMENTS
2,500,215 A * 3/1950 Swearingen A47G 33/12
248/524
2,516,802 A * 7/1950 Richards A47G 33/12
248/523
2,936,144 A * 5/1960 Otis A47F 5/112
248/150
D232,791 S * 9/1974 Schulz D11/130.1

- 3,838,838 A * 10/1974 Seaman, Jr. A47G 33/12
248/188.7
- D329,208 S * 9/1992 Bowling D11/130.1
- D330,875 S * 11/1992 Boucher D11/130.1
- D370,185 S * 5/1996 Grimm D11/130.1
- D374,195 S 10/1996 Wright et al.
- D381,598 S * 7/1997 Roberts D11/130.1
- D382,227 S * 8/1997 Adams D11/130.1
- D418,082 S * 12/1999 Baumann D11/130.1
- D451,839 S * 12/2001 Pomeroy D11/130.1
- D480,014 S * 9/2003 Goerke D11/130.1
- D497,832 S * 11/2004 Glover D11/130.1
- D498,172 S 11/2004 Vemi
- D543,895 S * 6/2007 Bolster D11/117
- D572,167 S * 7/2008 Boucher D11/130
- D575,188 S 8/2008 Bycraft
- D676,353 S 2/2013 Bycraft

* cited by examiner

Primary Examiner — Elizabeth J Oswecki
(74) *Attorney, Agent, or Firm* — Schmeiser, Olsen & Watts, LLP

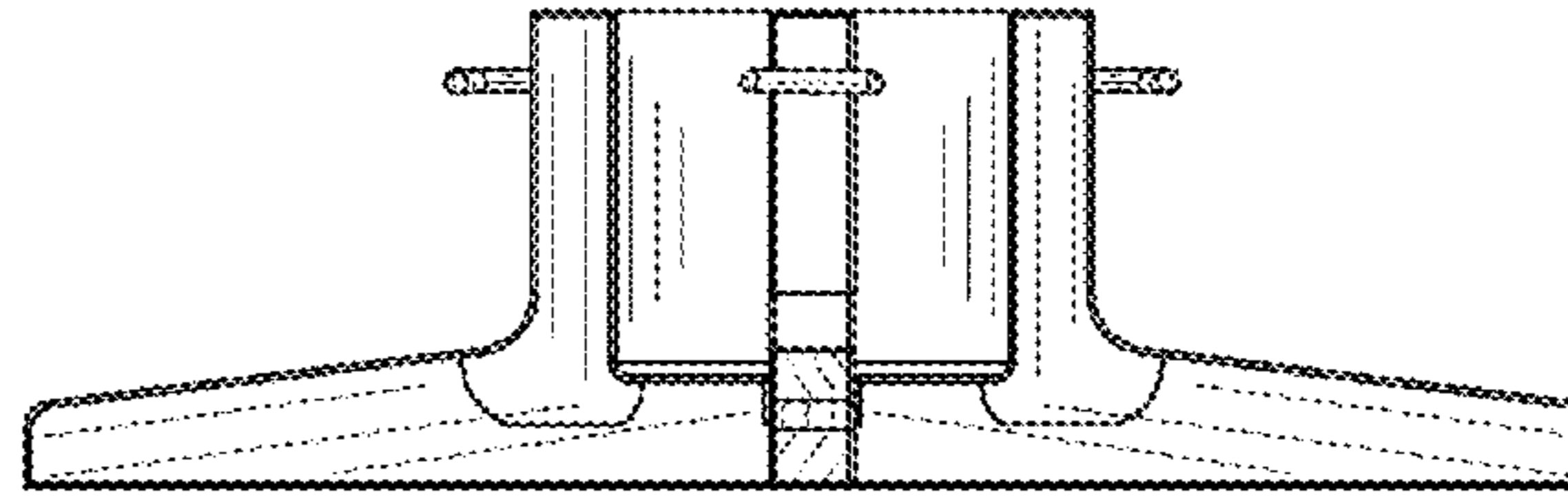
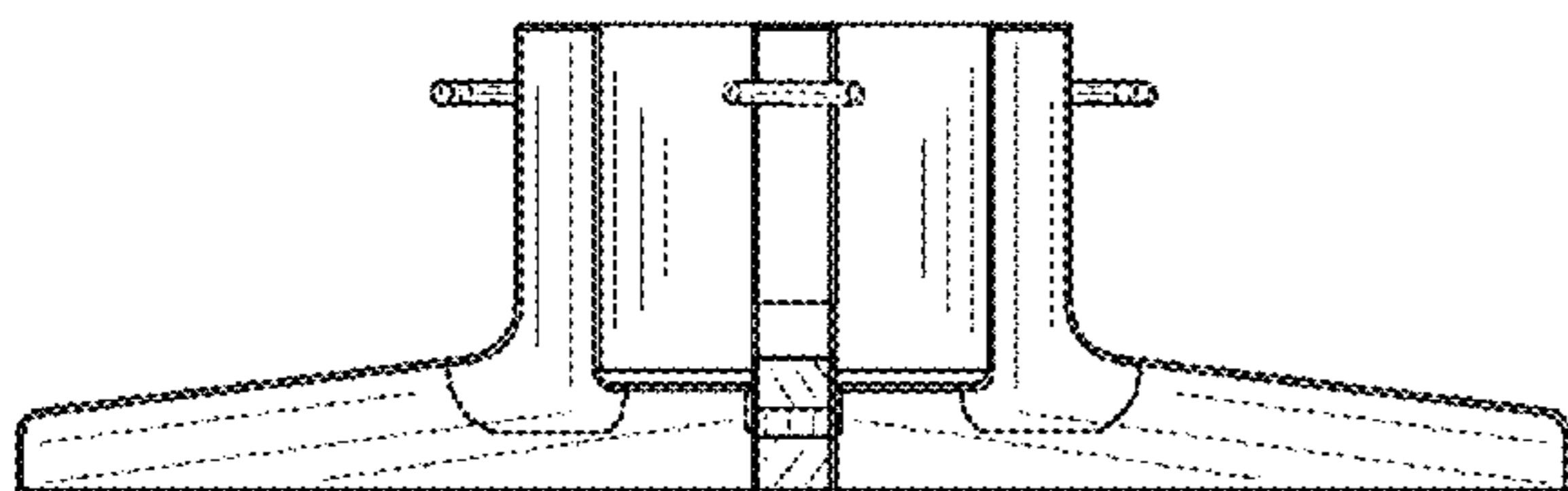
(57) **CLAIM**

The ornamental design for a tree stand, as shown and described.

DESCRIPTION

FIG. 1 is a front elevational view of a tree stand showing my new design;
FIG. 2 is a rear elevational view thereof;
FIG. 3 is a left side elevational view thereof;
FIG. 4 is a right side elevational view thereof;
FIG. 5 is a top plan view thereof;
FIG. 6 is a bottom plan view thereof; and,
FIG. 7 is a perspective view thereof.
The broken lines illustrate portions of a tree stand and form no part of the claimed design.

1 Claim, 7 Drawing Sheets



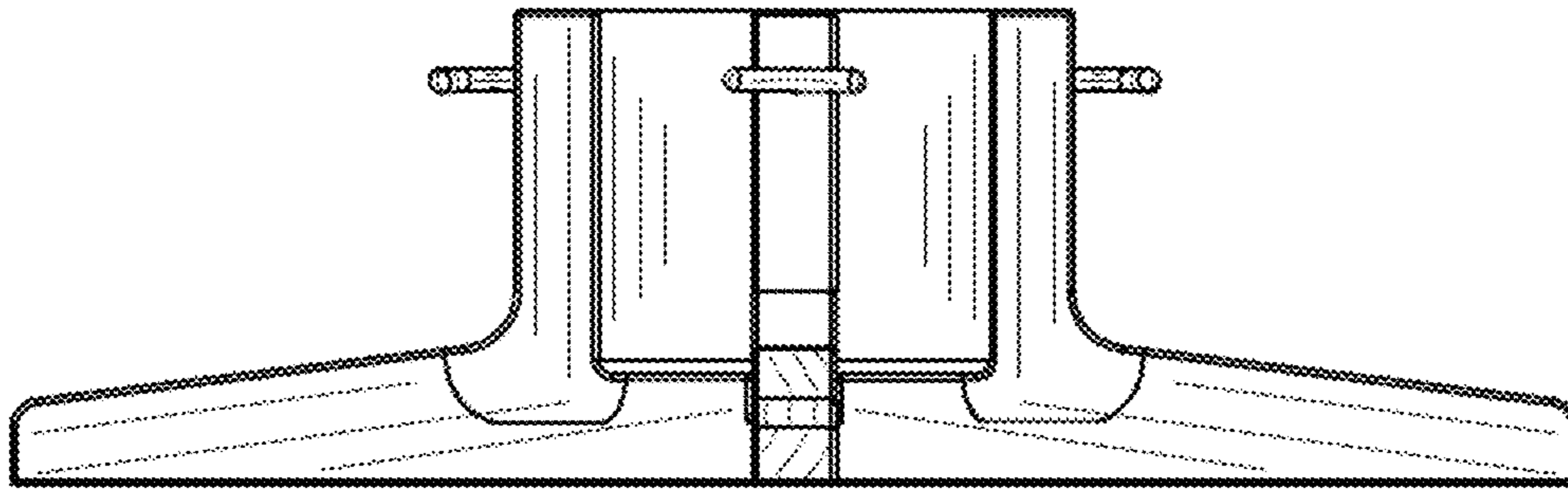


Figure 1

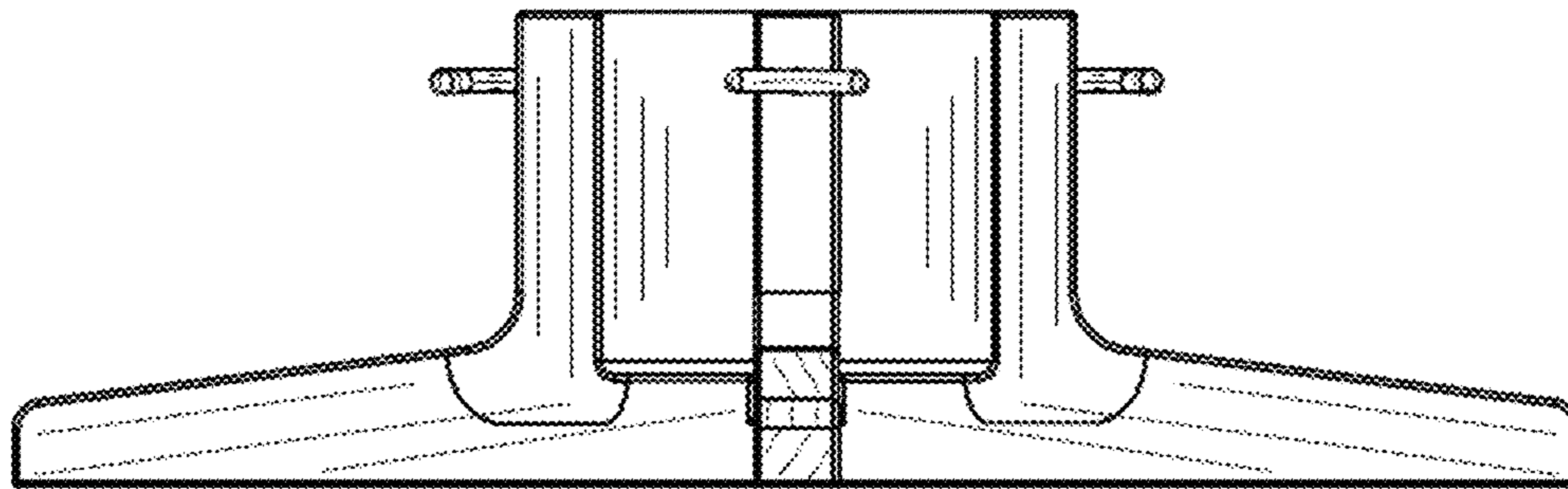


Figure 2

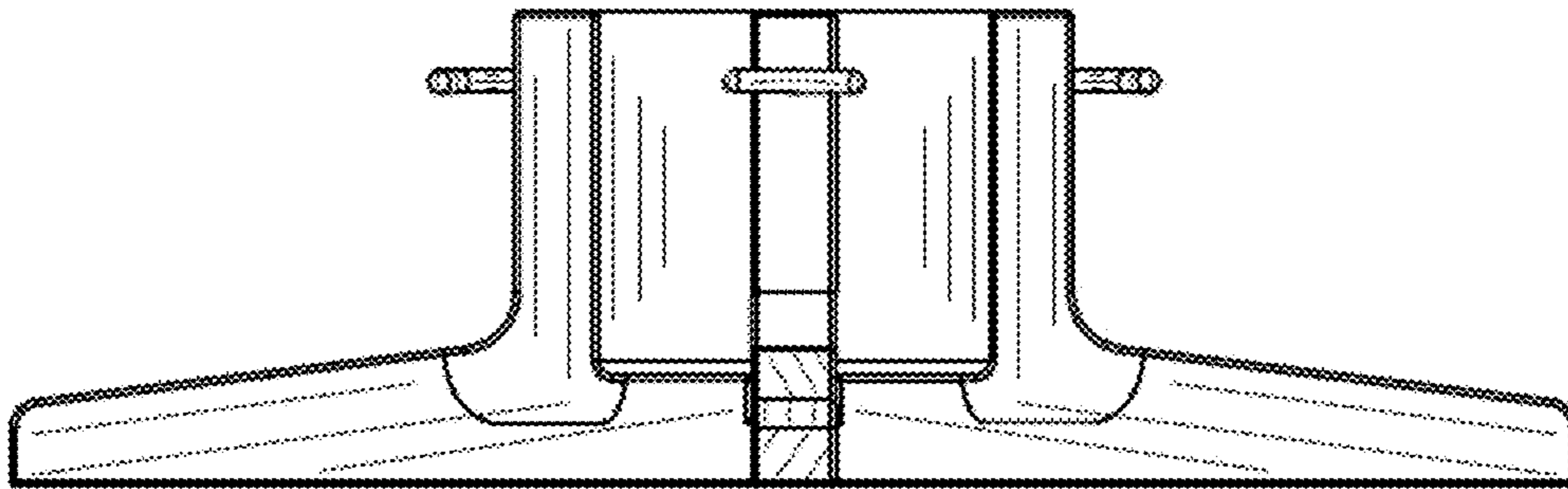


Figure 3

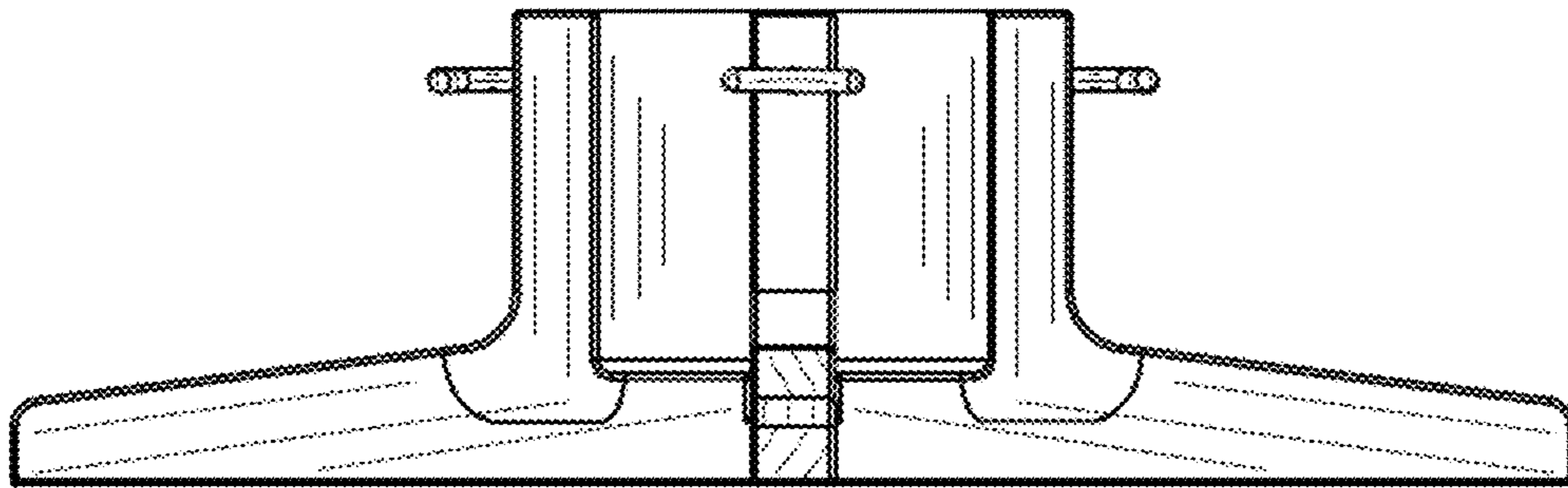


Figure 4

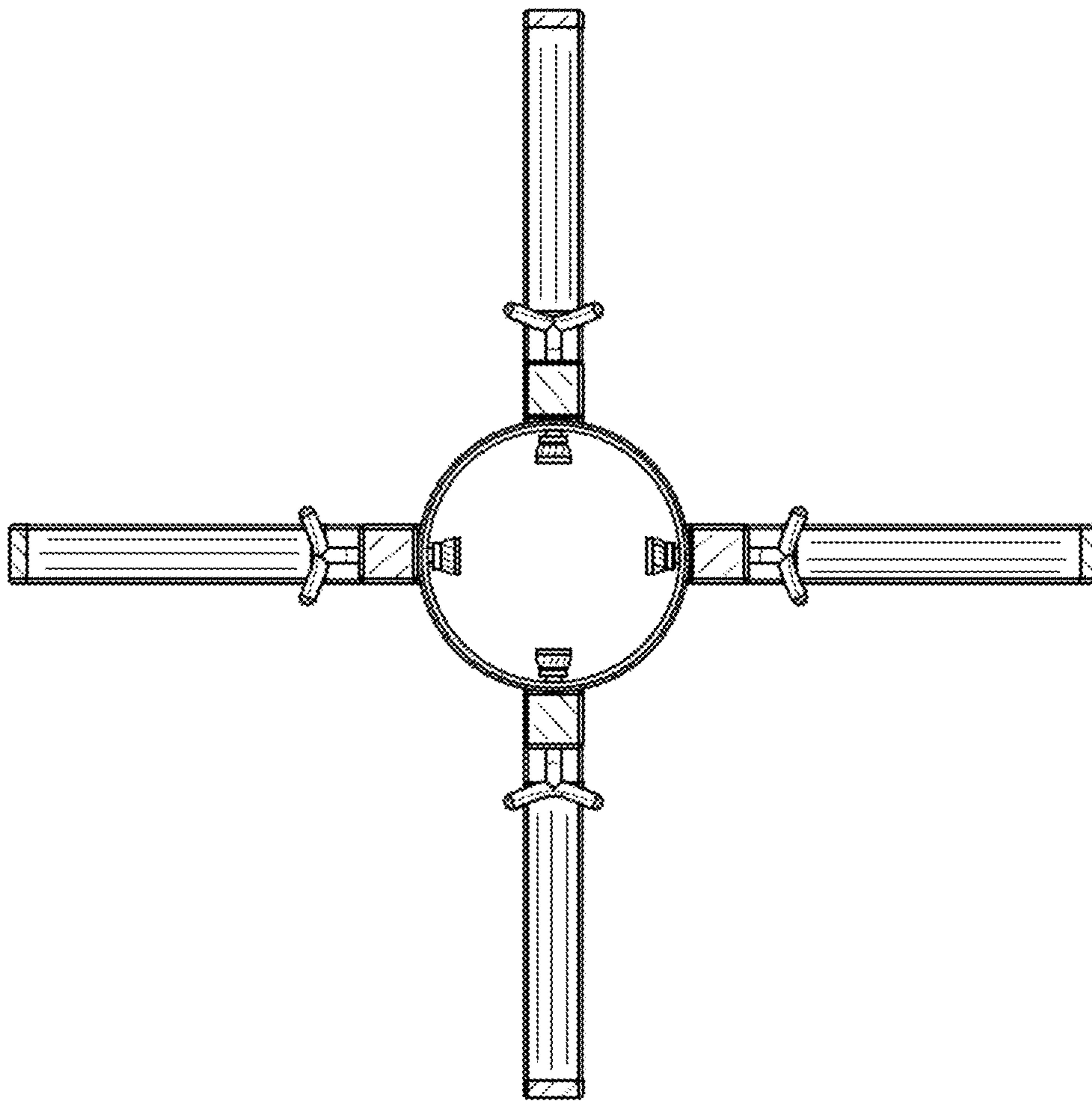


Figure 5

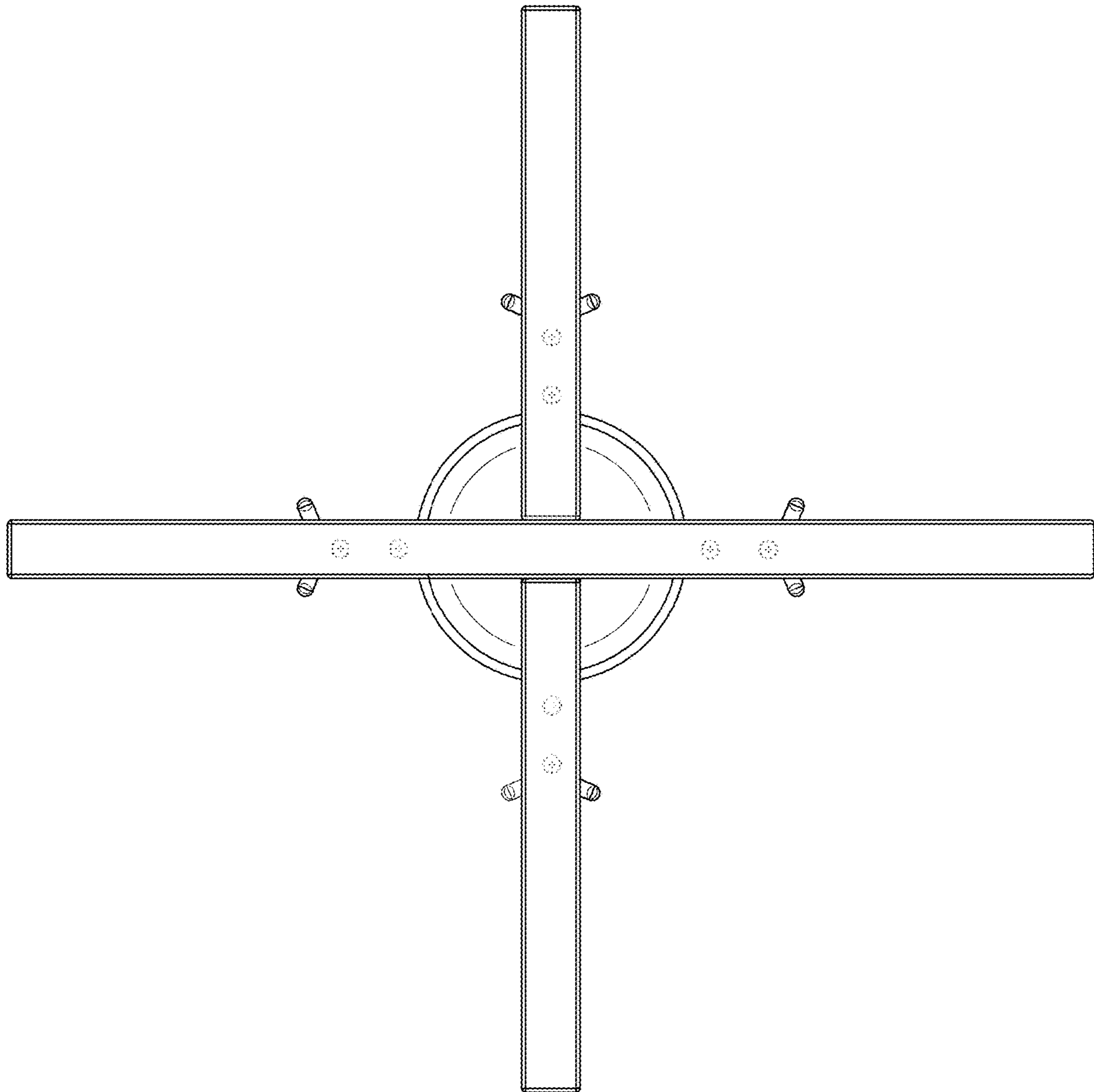


FIG. 6

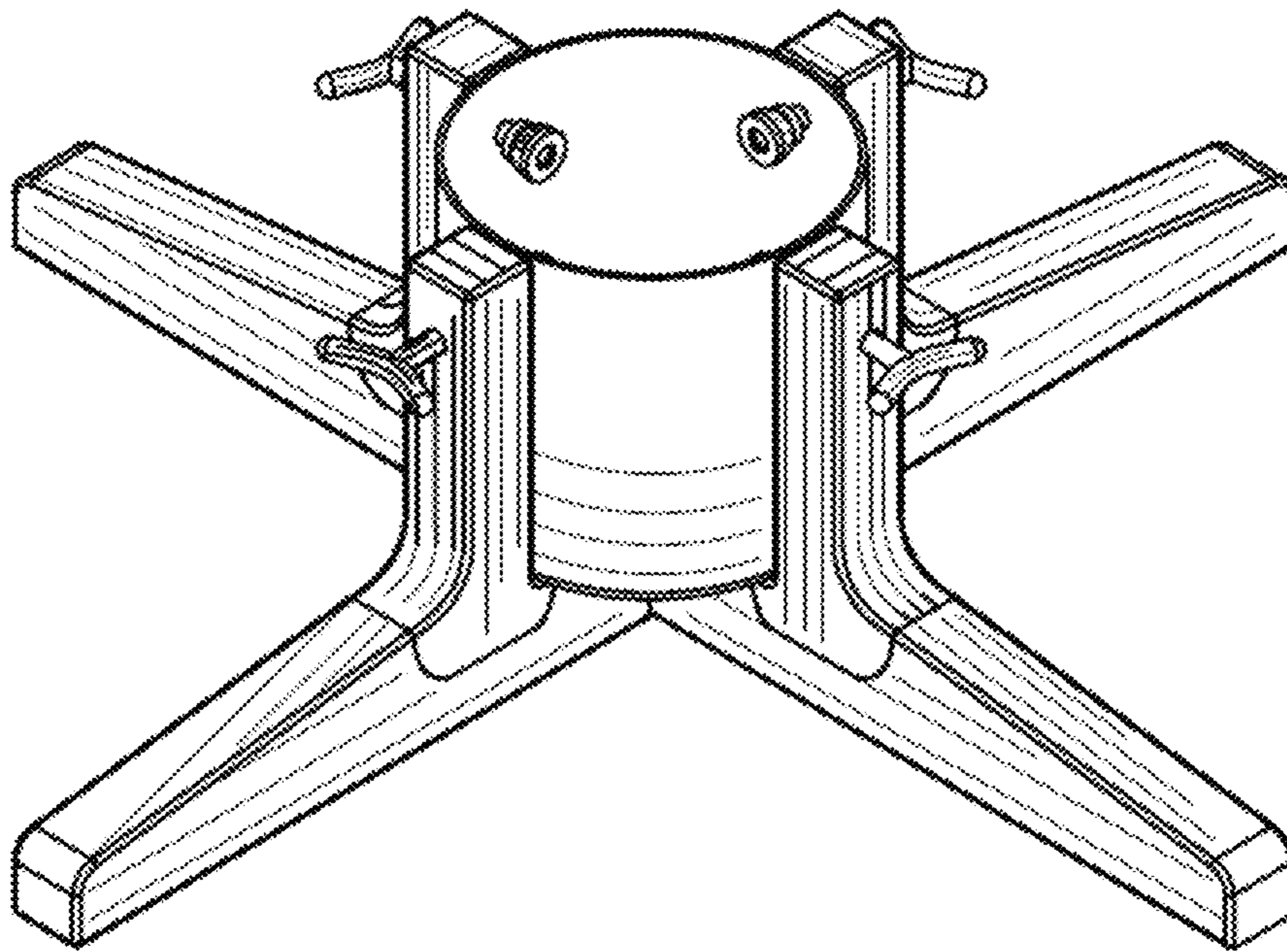


Figure 7