



US00D825374S

(12) **United States Design Patent** (10) **Patent No.:** **US D825,374 S**  
**Alaniz** (45) **Date of Patent:** **\*\* Aug. 14, 2018**

(54) **SIX-HOLE DOG TAG**

(71) Applicant: **Ryan Alaniz**, San Antonio, TX (US)

(72) Inventor: **Ryan Alaniz**, San Antonio, TX (US)

(\*\*) Term: **15 Years**

(21) Appl. No.: **29/563,288**

(22) Filed: **May 3, 2016**

**Related U.S. Application Data**

(63) Continuation-in-part of application No. 29/464,631, filed on Aug. 19, 2013, now abandoned.

(51) **LOC (11) Cl.** ..... **11-03**

(52) **U.S. Cl.**  
USPC ..... **D11/95**

(58) **Field of Classification Search**

USPC ..... D11/95-116, 79, 40, 43, 133, 3, 5;  
63/35, 40, 1.11, 1.12, 13; D20/19, 27,  
D20/13, 10, 22-24, 42-43; 101/369;  
D10/30, 106.9, 64, 132, 128; D3/201,  
D3/208; D19/9, 2, 10, 1; D8/354, 363,  
D8/394, 380, 349, 19; D12/159;  
D14/238, 436; D21/680, 804; D24/216;  
D25/133; D2/976; D6/601; D7/698;  
40/633, 673, 27, 669, 674, 124.6, 299.01,  
40/634, 27.5, 6, 207, 638, 301, 671, 662,  
40/666, 305, 668, 300, 1.6, 611.01, 316,  
40/6.11; 269/289 R; 283/81, 901, 75;  
428/43, 81, 132, 189, 192; 215/399;  
235/380; D9/415  
CPC ..... A44C 21/00; A44C 25/001; A44C 25/007;  
A44C 3/00-3/005; A44C 3/007; A44B  
15/005; G09F 3/04; G09F 3/0286; G09F  
3/005; G09F 3/18; G09F 3/20; G09F  
3/02; G09F 3/16; G09F 3/06; G09F 3/12;  
G09F 3/14; G09F 3/207; G09F 7/04;  
G09F 3/00; A47J 47/005; A01K 11/00;  
A61J 1/05; B41L 47/02; B60R 13/10;  
G06K 19/06196; G06K 19/04; B42D  
25/00

See application file for complete search history.

(56) **References Cited**

**U.S. PATENT DOCUMENTS**

1,392,410 A \* 10/1921 Gaines ..... G09F 3/14  
283/901  
1,452,250 A \* 4/1923 Moore ..... G09F 3/18  
40/299.01

(Continued)

*Primary Examiner* — Ian Simmons

*Assistant Examiner* — Mark Cavanna

(74) *Attorney, Agent, or Firm* — William Lovin & Associates LLC; William R Lovin

(57) **CLAIM**

The ornamental design for a six-hole dog tag, as shown and described.

**DESCRIPTION**

FIG. 1 is a front plan view of a six-hole dog tag of the present invention.

FIG. 2 is a back plan view of a six-hole dog tag of the present invention.

FIG. 3 is a cross-sectional view taken along line 3-3 of FIG. 1 of a six-hole dog tag of the present invention.

FIG. 4 is a top elevation of a six-hole dog tag of the present invention.

FIG. 5 is a bottom elevation of a six-hole dog tag of the present invention.

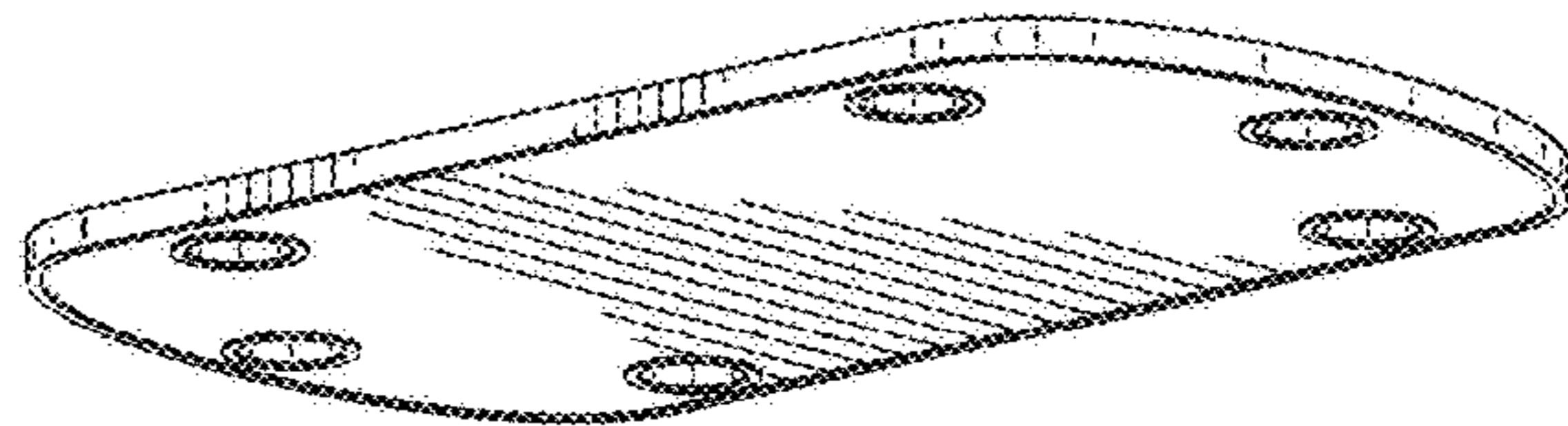
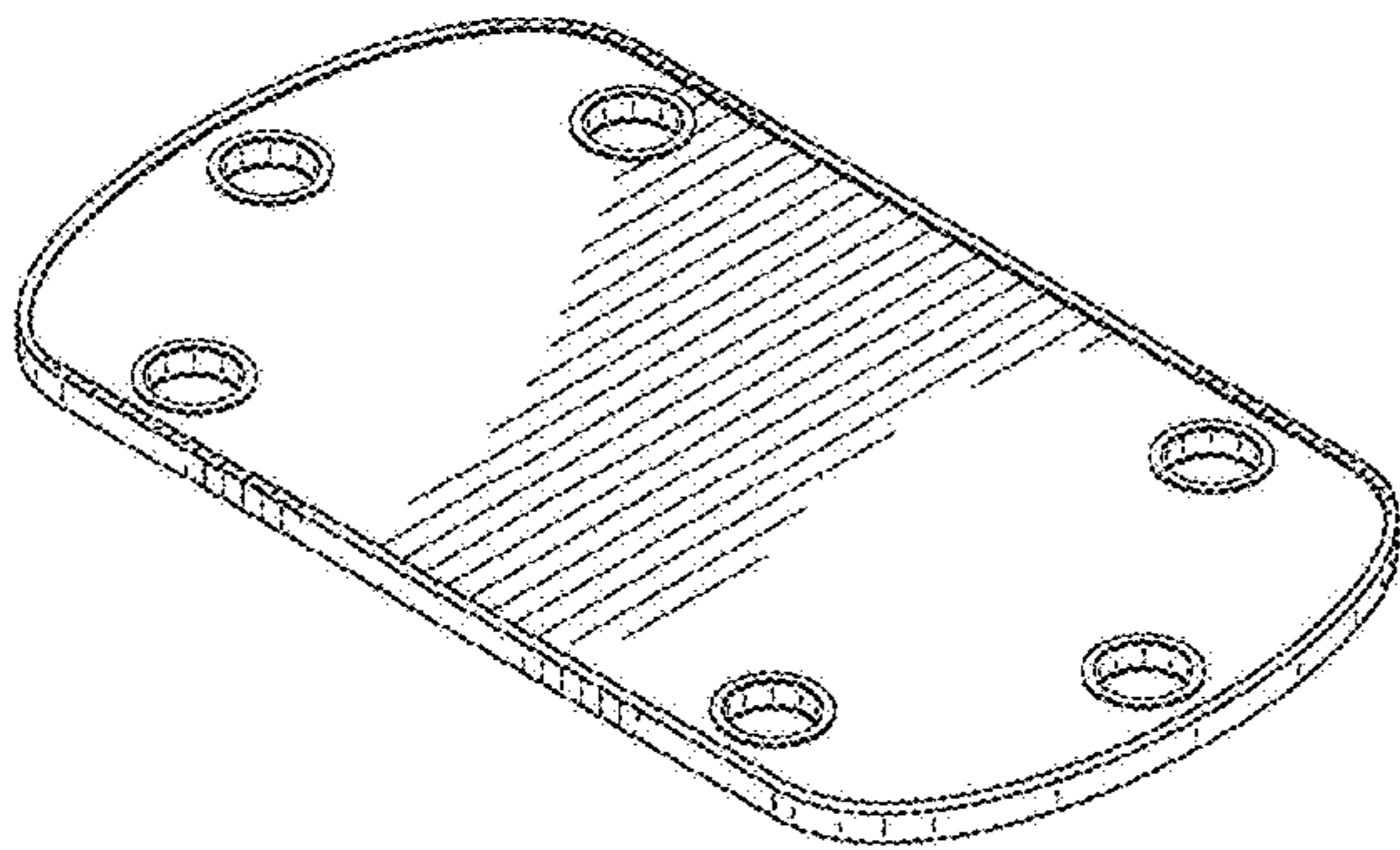
FIG. 6 is a left elevation of a six-hole dog tag of the present invention.

FIG. 7 is a right elevation of a six-hole dog tag of the present invention.

FIG. 8 is a front-right perspective view of a six-hole dog tag of the present invention; and,

FIG. 9 is a back-right perspective view of a six-hole dog tag of the present invention.

**1 Claim, 3 Drawing Sheets**



(56)

## References Cited

## U.S. PATENT DOCUMENTS

1,458,445	A *	6/1923	Scott	.....	G09F 3/14	40/662	D535,985	S *	1/2007	Sergi	.....	D14/238
1,505,838	A *	8/1924	Withrow	.....	G09F 3/20	40/634	D549,783	S *	8/2007	Beno	.....	D20/10
1,553,238	A *	9/1925	Hartshorne	.....	B60R 13/10	40/207	D561,261	S *	2/2008	Feibelman	.....	D20/22
1,568,595	A *	1/1926	Freeman	.....	G09F 3/14	40/673	D565,113	S *	3/2008	Fischer, III	.....	D20/13
1,586,433	A *	5/1926	Wittstein	.....	G09F 3/02	40/671	D568,389	S *	5/2008	Hammad	.....	D14/436
1,687,361	A *	10/1928	Carroll	.....	G09F 3/16	40/666	D569,098	S *	5/2008	Osler, Jr.	.....	D3/208
1,701,770	A *	2/1929	Canine	.....	G09F 3/06	40/666	D569,760	S *	5/2008	Endres	.....	D11/95
1,758,599	A *	5/1930	Garvey	.....	G09F 3/12	40/662	D571,855	S *	6/2008	Law	.....	D14/436
1,831,207	A *	11/1931	Swett	.....	G09F 3/12	40/662	D571,856	S *	6/2008	Hammad	.....	D14/436
2,077,285	A *	4/1937	Thackeray	.....	G09F 3/04	40/662	D574,281	S *	8/2008	Cherneff	.....	D10/106.9
2,107,071	A *	2/1938	Gaus	.....	G09F 3/14	40/305	D575,187	S *	8/2008	Mitchell	.....	D11/95
2,297,285	A *	9/1942	Bledsoe	.....	A44B 15/005	40/634	D576,069	S *	9/2008	Momjian	.....	D11/79
2,331,636	A *	10/1943	Stone	.....	A01K 11/00	40/27.5	D578,158	S *	10/2008	Hammad	.....	D14/436
2,340,719	A *	2/1944	Walter	.....	A61J 1/05	215/399	D578,164	S *	10/2008	Ingle	.....	D20/27
2,540,718	A *	2/1951	Duskin	.....	G09F 3/18	40/6	D580,974	S *	11/2008	Hammad	.....	D14/436
2,626,567	A *	1/1953	Vogt	.....	B41L 47/02	101/369	D582,413	S *	12/2008	Parker	.....	D14/383
2,780,018	A *	2/1957	Bauserman	.....	B60R 13/10	40/207	D584,769	S *	1/2009	Hammad	.....	D14/436
3,486,257	A *	12/1969	Walldorf	.....	G09F 3/14	40/638	D589,390	S *	3/2009	Tang	.....	D10/128
D217,318	S *	4/1970	Waldorf	.....	D19/10	40/301	D592,078	S *	5/2009	Tang	.....	D10/30
D221,118	S *	7/1971	Chambers	.....	D20/22	40/301	D592,244	S *	5/2009	Hammad	.....	D14/436
3,956,840	A *	5/1976	Melin	.....	A01K 11/001	40/301	D593,152	S *	5/2009	Hammad	.....	D14/436
D291,897	S *	9/1987	Flies	.....	D20/22	40/673	D597,086	S *	7/2009	Sergi	.....	D14/238
4,791,742	A *	12/1988	Stover	.....	G09F 3/04	40/673	D600,154	S *	9/2009	Ali	.....	D11/5
D345,512	S *	3/1994	Gaenzle	.....	D10/64	283/81	D604,359	S *	11/2009	Santos	.....	D19/9
5,300,344	A *	4/1994	Niedecker	.....	G09F 3/0286	283/81	D617,387	S *	6/2010	Muniz	.....	D20/42
D387,970	S *	12/1997	Enslin	.....	D8/349	283/81	D623,698	S *	9/2010	Muniz	.....	D20/42
D395,845	S *	7/1998	Hickbert	.....	D11/95	283/81	D623,948	S *	9/2010	Levy	.....	D9/415
D403,709	S *	1/1999	Norwood	.....	D20/22	283/81	D627,826	S *	11/2010	Halimi	.....	D20/27
D404,770	S *	1/1999	Meade	.....	D2/976	283/81	D633,410	S *	3/2011	Walsh	.....	D11/95
D406,784	S *	3/1999	Thompson	.....	D11/3	283/81	D637,897	S *	5/2011	Tedesco	.....	D8/380
D422,886	S *	4/2000	Shea	.....	D8/354	283/81	7,948,383	B2 *	5/2011	Lamp	.....	G06K 19/04
D430,505	S *	9/2000	Perry	.....	D11/133	283/81	D640,866	S *	7/2011	Schmiemann	.....	D3/201
D431,770	S *	10/2000	Willet	.....	D8/354	283/81	D645,794	S *	9/2011	Noble	.....	D12/159
D460,783	S *	7/2002	Haas	.....	D19/1	283/81	D654,064	S *	2/2012	Sergi	.....	D14/238
D464,237	S *	10/2002	Kaposi	.....	D7/698	283/81	D654,350	S *	2/2012	Preda	.....	D8/354
D467,269	S *	12/2002	Haas	.....	D19/1	283/81	8,162,784	B1 *	4/2012	Bellefeuille	.....	F41B 3/02
D468,441	S *	1/2003	Pham	.....	D24/216	283/81	D664,595	S *	7/2012	Bennett	.....	D20/13
D476,693	S *	7/2003	Yuran	.....	D20/22	283/81	D667,289	S *	9/2012	Preda	.....	D8/354
D477,545	S *	7/2003	Davis	.....	D11/95	283/81	D667,718	S *	9/2012	Preda	.....	D8/354
D488,190	S *	4/2004	Segel	.....	D20/27	283/81	D677,724	S *	3/2013	Haas	.....	D19/2
D493,492	S *	7/2004	Best	.....	D20/27	283/81	D678,951	S *	3/2013	Kaderli	.....	D20/27
D493,493	S *	7/2004	Howard	.....	D20/27	283/81	D684,033	S *	6/2013	Preda	.....	D8/354
6,799,389	B2 *	10/2004	Wolfgang	.....	G09F 3/12	40/300	8,510,977	B1 *	8/2013	Cable	.....	G09F 7/04
D520,344	S *	5/2006	Vejmarker	.....	D8/354	40/300	D690,772	S *	10/2013	Kado	.....	D20/19
D523,920	S *	6/2006	Cresswell	.....	D21/804	40/300	D695,838	S *	12/2013	Cole	.....	D20/22
7,070,095	B1 *	7/2006	Gandel	.....	G06K 19/041	235/380	D698,400	S *	1/2014	Potts	.....	D21/680
D533,547	S *	12/2006	Sergi	.....	D14/238	235/380	D699,141	S *	2/2014	Walker	.....	D10/106.9
D534,904	S *	1/2007	Crawford	.....	D14/238	235/380	D708,804	S *	7/2014	Piro	.....	D20/27
							D709,397	S *	7/2014	Ennabli	.....	D10/106.9
							D728,028	S *	4/2015	Michalscheck	.....	D20/27
							D728,246	S *	5/2015	Douglas	.....	D20/27
							D731,876	S *	6/2015	Di Stefano	.....	D8/363
							D732,360	S *	6/2015	Reeder	.....	D10/64
							D734,875	S *	7/2015	Masuda	.....	D25/133
							D734,876	S *	7/2015	Masuda	.....	D25/133
							D761,359	S *	7/2016	Wormser	.....	D20/43
							D765,785	S *	9/2016	Warther	.....	D20/22
							D772,340	S *	11/2016	Wessel, IV	.....	D20/27
							D780,042	S *	2/2017	Bibeault	.....	D11/79
							D789,236	S *	6/2017	Bibeault	.....	D11/79
							2002/0189146	A1 *	12/2002	Lyon	.....	G09F 7/04
												40/600
							2005/0206060	A1 *	9/2005	Siegel	.....	A47J 47/005
												269/289 R
							2009/0056177	A1 *	3/2009	Mallozzi	.....	G09F 3/207
												40/1.6
							2009/0173104	A1 *	7/2009	Shunnarah	.....	G09F 3/207
												63/1.12
							2010/0276920	A1 *	11/2010	Woodman	.....	B42D 25/00
												283/75
							2014/0000138	A1 *	1/2014	Cable	.....	G09F 3/14
												40/661.01

\* cited by examiner

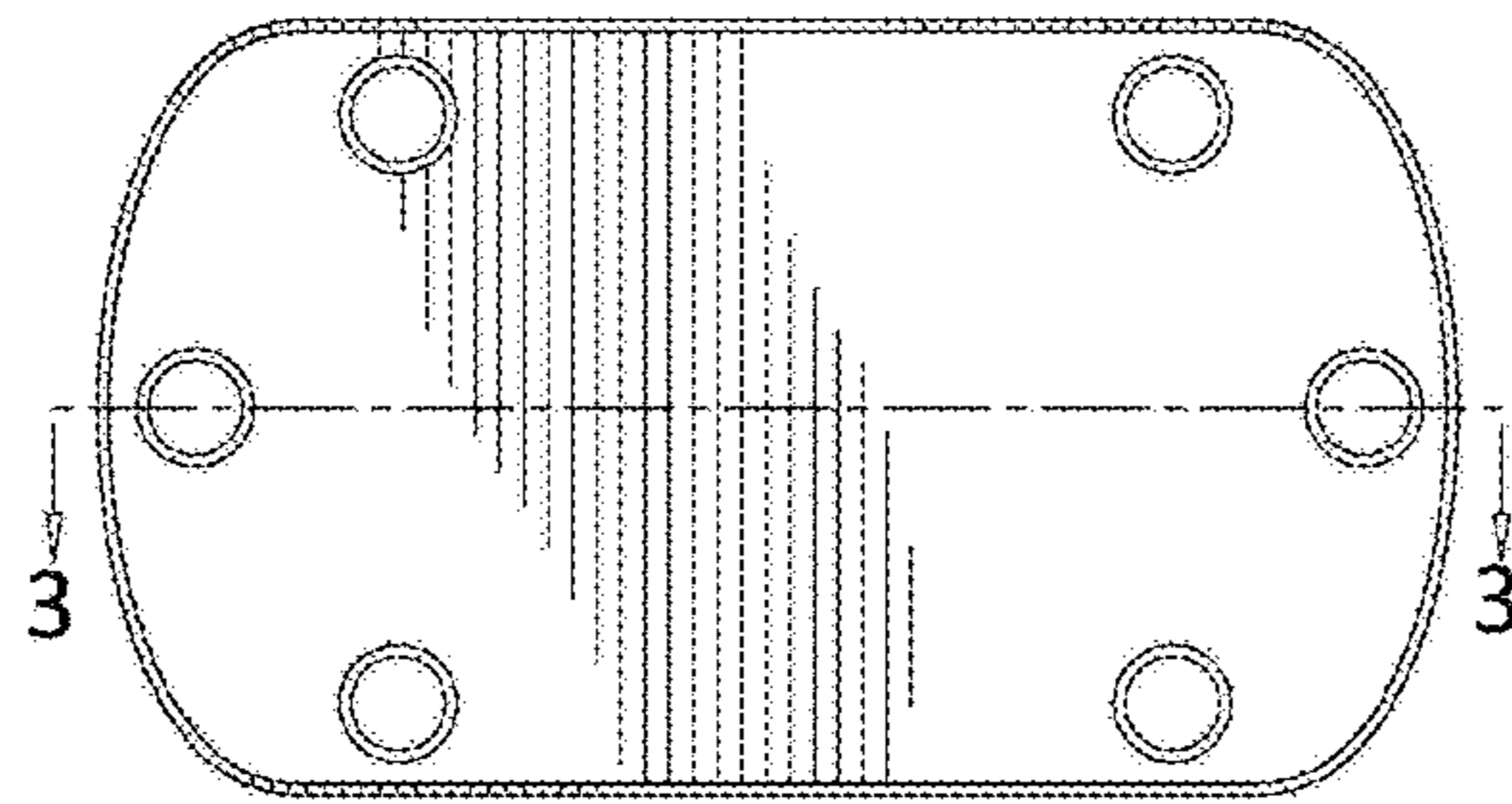


Fig. 1

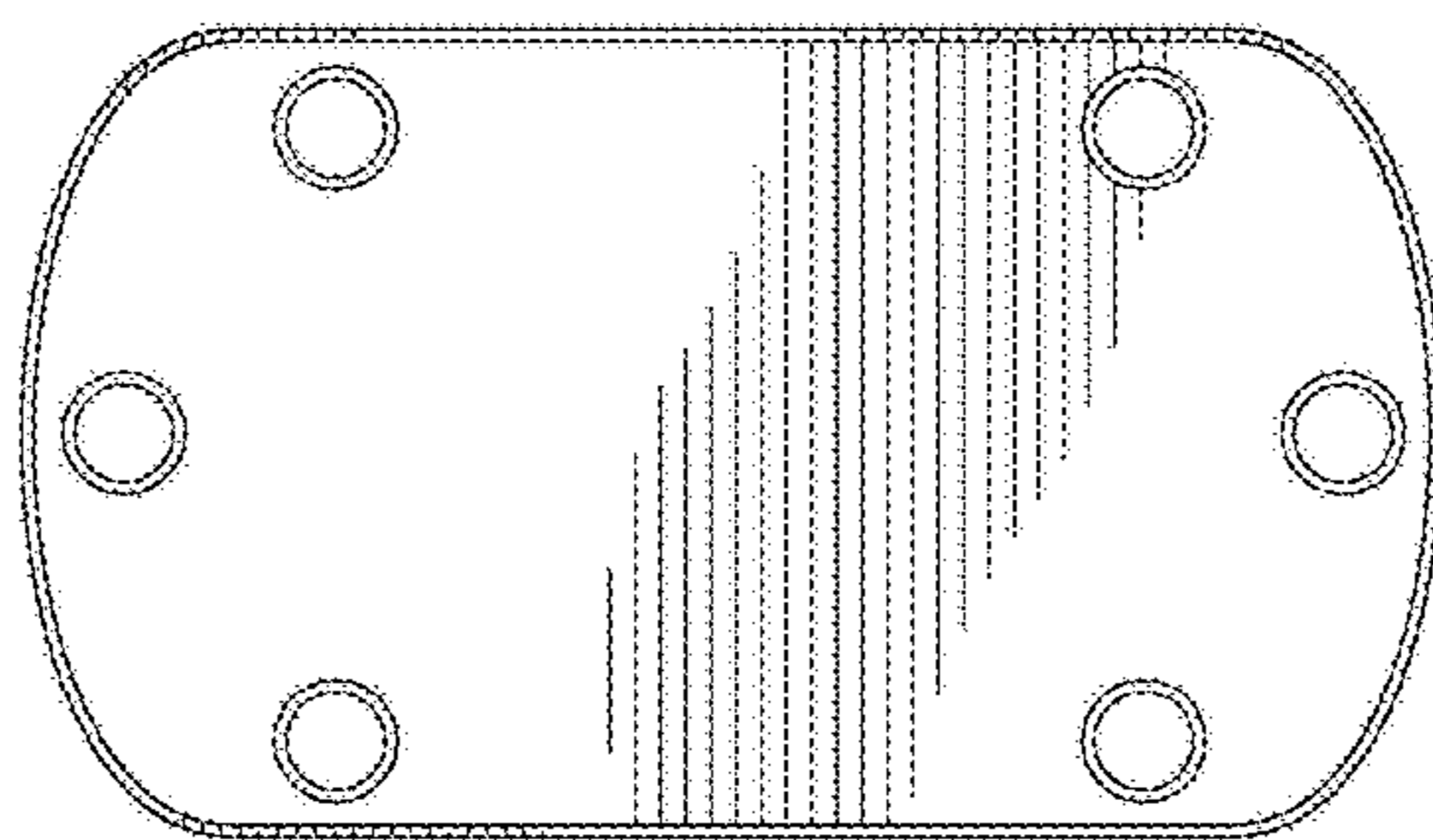


Fig. 2

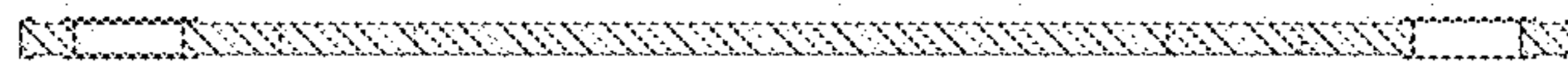


Fig. 3

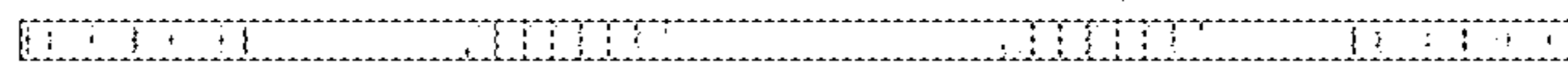


Fig. 4

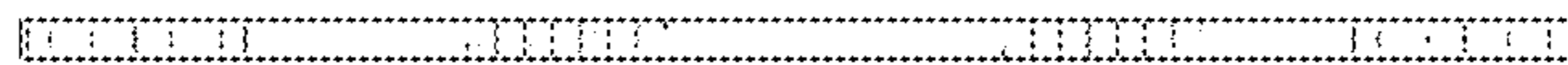


Fig. 5

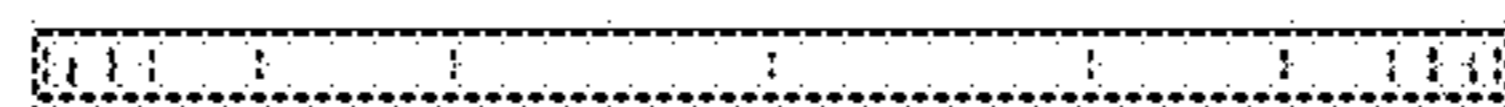


Fig. 6



Fig. 7

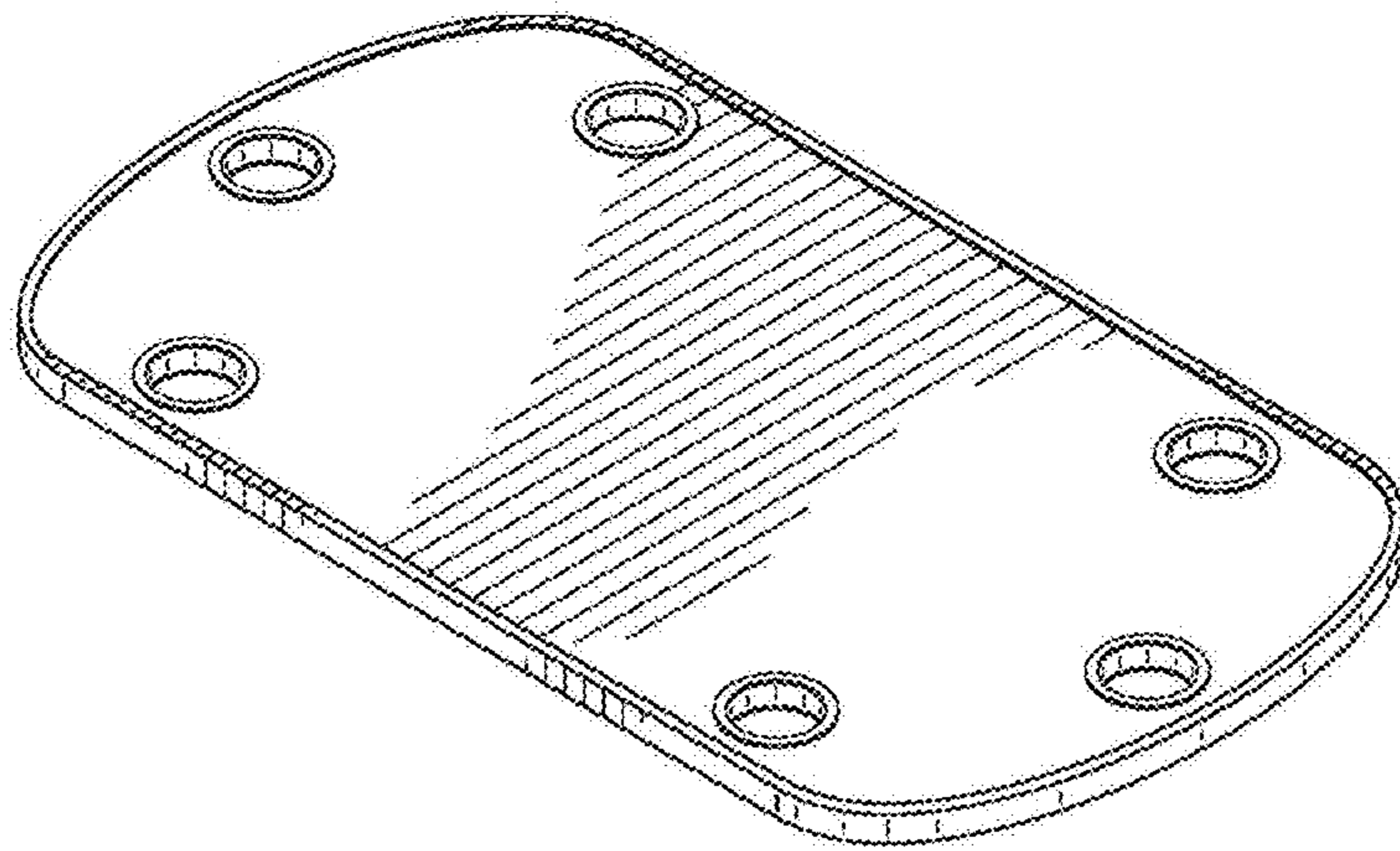


Fig. 8

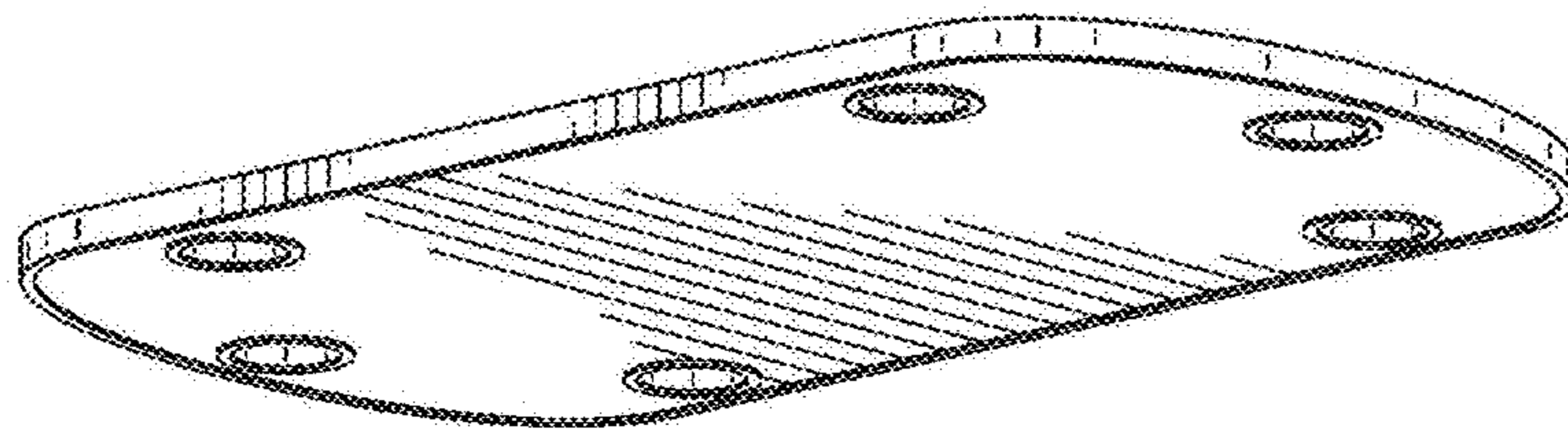


Fig. 9