



US00D825373S

(12) **United States Design Patent** (10) **Patent No.:** **US D825,373 S**
Pandolfino (45) **Date of Patent:** **** Aug. 14, 2018**

(54) **NECKWEAR TO HOUSE AND DISPLAY COINS AND ROUNDS**
(71) Applicant: **PATUGA LLC**, Clarence, NY (US)
(72) Inventor: **Joseph Pandolfino**, Clarence, NY (US)
(73) Assignee: **PATUGA LLC**, Clarence, NY (US)
(**) Term: **15 Years**

(21) Appl. No.: **29/631,359**
(22) Filed: **Dec. 29, 2017**
(51) **LOC (11) Cl.** **11-01**
(52) **U.S. Cl.**
USPC **D11/79; D2/605; D11/1**
(58) **Field of Classification Search**
USPC D11/1, 2, 3, 7, 8, 12, 19, 40-54, 79-86,
D11/87, 91, 92, 93; D3/207; D6/300;
D2/600-609, 627, 633, 637
(Continued)

(56) **References Cited**
U.S. PATENT DOCUMENTS
D4,543 S * 12/1870 Haldron et al. D11/12
248,785 A * 10/1881 Pardee A44C 17/02
63/23
(Continued)

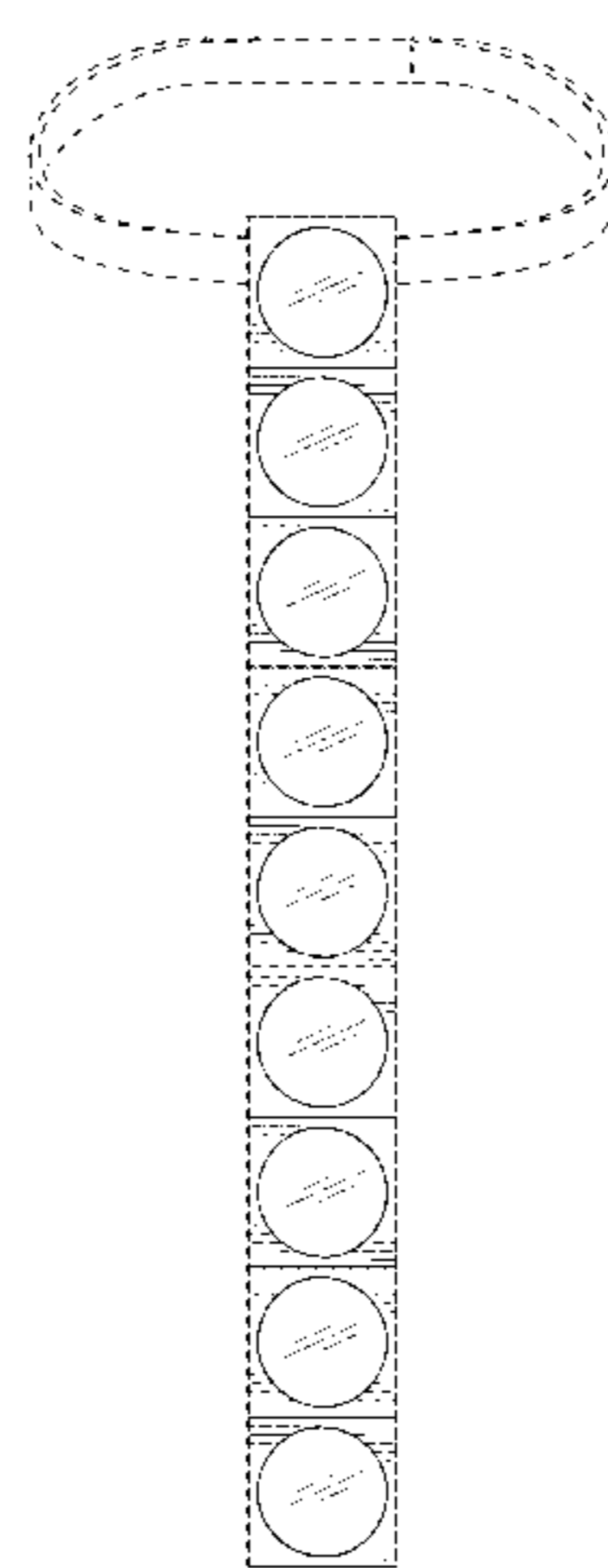
FOREIGN PATENT DOCUMENTS
AT 389630 B 1/1990
CN 2888922 Y 4/2007
(Continued)

OTHER PUBLICATIONS
[Online] https://www.etsy.com/listing/531954734/dapper-silverblackgold-tie-parallel?ref=shop_home_active_36. Retrieved Mar. 19, 2018.*
(Continued)

Primary Examiner — Melanie Pellegrini
(74) *Attorney, Agent, or Firm* — Sughrue Mion, PLLC

(57) **CLAIM**
The ornamental design for neckwear to house and display coins and rounds, as shown and described.

DESCRIPTION
FIG. 1 is a front view of a first embodiment of neckwear to house and display coins and rounds showing my new design; FIG. 2 is a rear view thereof; FIG. 3 is a right side view thereof; FIG. 4 is a left side view thereof; FIG. 5 is a top view thereof; FIG. 6 is a bottom view thereof; FIG. 7 is a front perspective view thereof; FIG. 8 is a front view of a second embodiment of neckwear to house and display coins and rounds showing my new design; FIG. 9 is a rear view thereof; FIG. 10 is a right side view thereof; FIG. 11 is a left side view thereof; FIG. 12 is a top view thereof; FIG. 13 is a bottom view thereof; FIG. 14 is a front perspective view thereof; FIG. 15 is a front view of a third embodiment of neckwear to house and display coins and rounds showing my new design; FIG. 16 is a rear view thereof; FIG. 17 is a right side view thereof; FIG. 18 is a left side view thereof; FIG. 19 is a top view thereof; FIG. 20 is a bottom view thereof; FIG. 21 is a front perspective view thereof; FIG. 22 is a front view of a fourth embodiment of neckwear to house and display coins and rounds showing my new design; FIG. 23 is a rear view thereof; FIG. 24 is a right side view thereof; FIG. 25 is a left side view thereof; FIG. 26 is a top view thereof; FIG. 27 is a bottom view thereof; and, FIG. 28 is a front perspective view thereof.
(Continued)



The broken lines shown in the drawings illustrate portions of the neckwear to house and display coins and rounds that form no part of the claimed design.

1 Claim, 16 Drawing Sheets

(58) **Field of Classification Search**

CPC .. A44C 1/00; A44C 3/00; A44C 3/004; A44C 3/005; A44C 3/007; A44C 3/008; A44C 5/02; A44C 7/002; A44C 25/00; A44C 25/001; A44C 25/002; A44C 25/004; A44C 25/005; A44C 25/007; A41D 23/00; A41D 25/00; A41D 25/003; A41D 25/004; A41D 25/005; A41D 25/008; A41D 25/02; A41D 25/06

See application file for complete search history.

(56) **References Cited**

U.S. PATENT DOCUMENTS

D31,545 S *	9/1899	French	D11/13
D55,788 S *	7/1920	Griffin	D11/6
D67,566 S	6/1925	Allmendinger	
1,626,139 A *	4/1927	Kraysler	A44C 5/02 16/229
D78,958 S *	7/1929	Wewetzer	D10/32
D105,807 S *	8/1937	Raymond	D11/121
D112,303 S	11/1938	Huddle	
2,176,253 A *	10/1939	Fogarty	A45C 13/42 40/661.06
D156,650 S *	12/1949	Pearce et al.	D11/12
D161,798 S *	1/1951	Spielmann	D2/605
D178,449 S	8/1956	Brown	
D178,725 S *	9/1956	Flyn	D2/637
3,127,302 A *	3/1964	Bunting	A63H 33/22 206/486
D203,059 S *	11/1965	Maroun	D11/7
D249,339 S *	9/1978	Coulthurst	D11/79
4,447,913 A	5/1984	Engelson	
D276,191 S	11/1984	Engelson	
4,546,494 A	10/1985	Garber	
4,617,685 A	10/1986	Grandis	
4,627,113 A	12/1986	Lord	
5,016,285 A *	5/1991	Just	A41D 25/00 2/144
D318,754 S	8/1991	Hughes	
5,036,550 A	8/1991	Wilsey	
D320,499 S	10/1991	White et al.	
D322,227 S *	12/1991	Warhol	D10/32
D335,763 S	5/1993	Jacob	
5,238,528 A	8/1993	Heinrich	
D340,871 S *	11/1993	Iwamura	D10/125
5,673,434 A	10/1997	Risk	
D398,435 S	9/1998	Gray	
D416,826 S *	11/1999	Newsome	D11/121

D450,398 S *	11/2001	Chang	D11/119
D457,287 S *	5/2002	Geisen	D2/608
D480,533 S	10/2003	Bryant, II et al.	
D485,779 S *	1/2004	Steckbeck	D11/7
D605,376 S *	12/2009	Dickerson	D2/605
D668,429 S	10/2012	Ross	
D681,496 S *	5/2013	Goerges	D11/26
D734,685 S	7/2015	Barresi	
D748,370 S	2/2016	Johnson	
D774,122 S *	12/2016	Ganovsky	D16/101
D775,777 S	1/2017	Peral	
D776,555 S *	1/2017	Bryant	D11/3
D779,780 S *	2/2017	Bowers	D2/605
D808,846 S *	1/2018	Kwon	D11/7
D811,923 S *	3/2018	Bryant	D11/3

FOREIGN PATENT DOCUMENTS

JP	2010-248641 A	11/2010
WO	88/06414 A1	9/1988

OTHER PUBLICATIONS

[Online] <http://sneakype.com/accessories/2015/09/these-sophisticated-ties-are-made-from-yellow-gold-and-polymer.html>. Posted online Sep. 11, 2015. Retrieved Mar. 19, 2018.*

Ties.com, <https://www.ties.com/v/a/holidays-ornaments-shaped-black-tie>; author and publication date unknown, retrieved prior to Jan. 25, 2018.

Hatfeathers Vintage, <http://www.hatfeathersvintage.com/shop/vintage-80s-red-black-big-polka-dot-tie-necktie>; author and publication date unknown, retrieved prior to Jan. 25, 2018.

Ties.com, <https://www.ties.com/wild-ties-black-the-8-planets-skinny-tie>; author and publication date unknown, retrieved prior to Jan. 25, 2018.

tie-necktie.com, http://www.ties-necktie.com/giant-polka-dot-skinny-tie-blue-p-21337.html?gclid=EAlalQobChMIppjt1aXT2AIVmY-zCh2CTABBEAQYASABEgINCPD_BwE; author and publication date unknown, retrieved prior to Jan. 25, 2018.

Engineering Corner, <https://www.shapeways.com/product/MUT37CQWA/articulated-necktie-clips-on-to-your-top-button>; author and publication date unknown, retrieved prior to Jan. 25, 2018.

The fusionguy, <https://thefusionguy.wordpress.com/category/wood-working/>; author and publication date unknown, retrieved prior to Jan. 25, 2018.

<http://woodknot.com/>; author and publication date unknown, retrieved prior to Jan. 25, 2018.

<http://www.jebiga.com/cams-wooden-ties-new-take-fashion/>; author and publication date unknown, retrieved prior to Jan. 25, 2018.

<https://www.vat19.com/item/wood-tie>; author and publication date unknown, retrieved prior to Jan. 25, 2018.

* cited by examiner

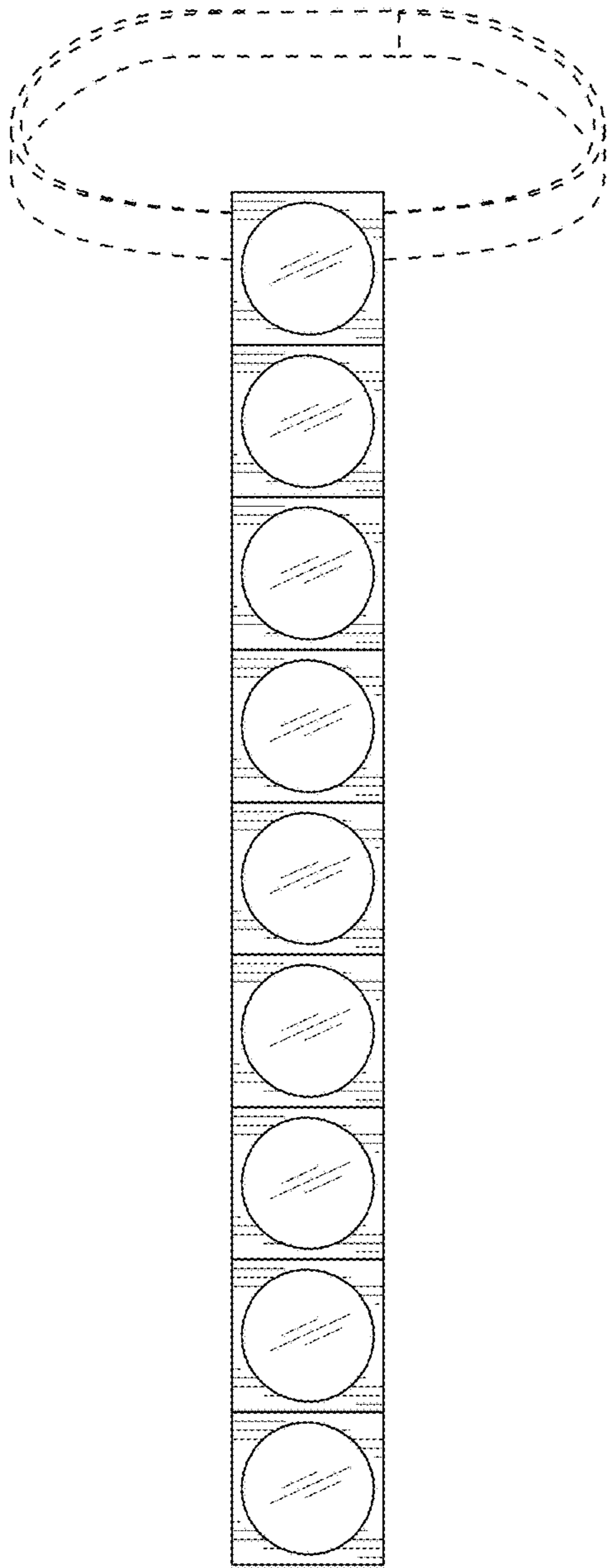


FIG. 1

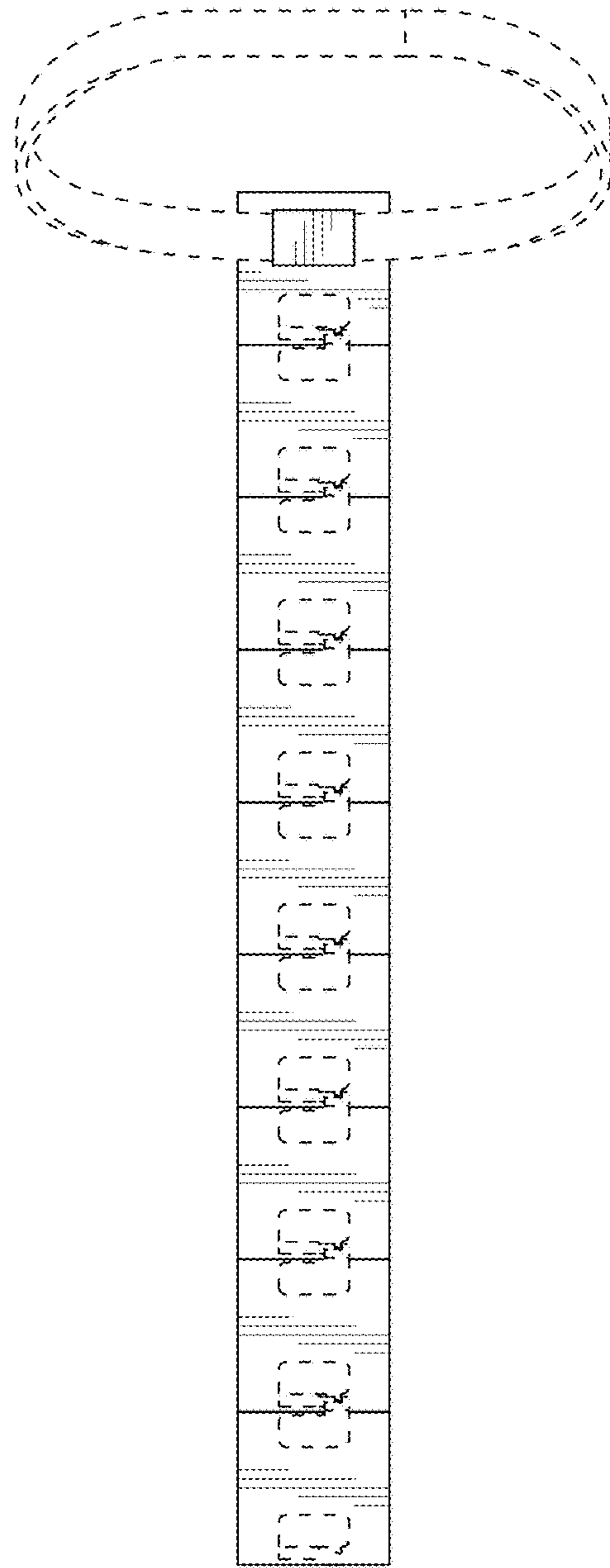


FIG. 2

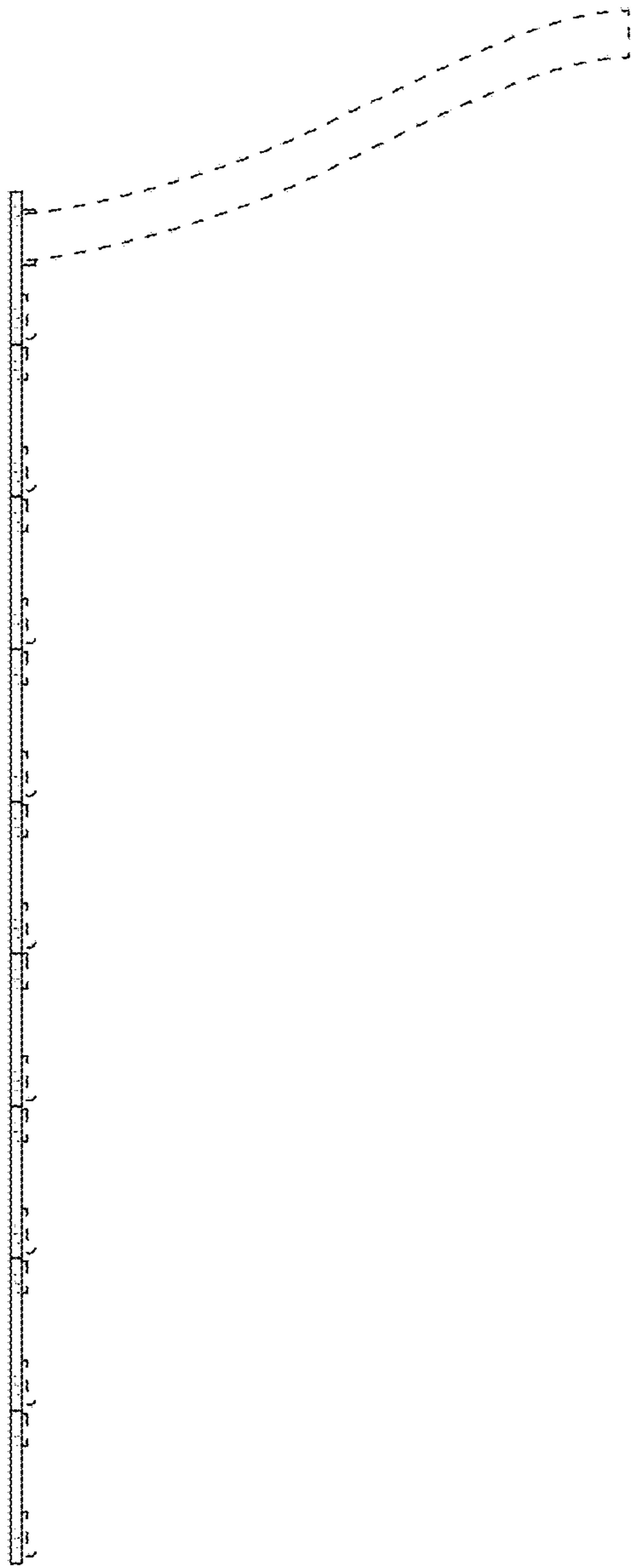


FIG. 3

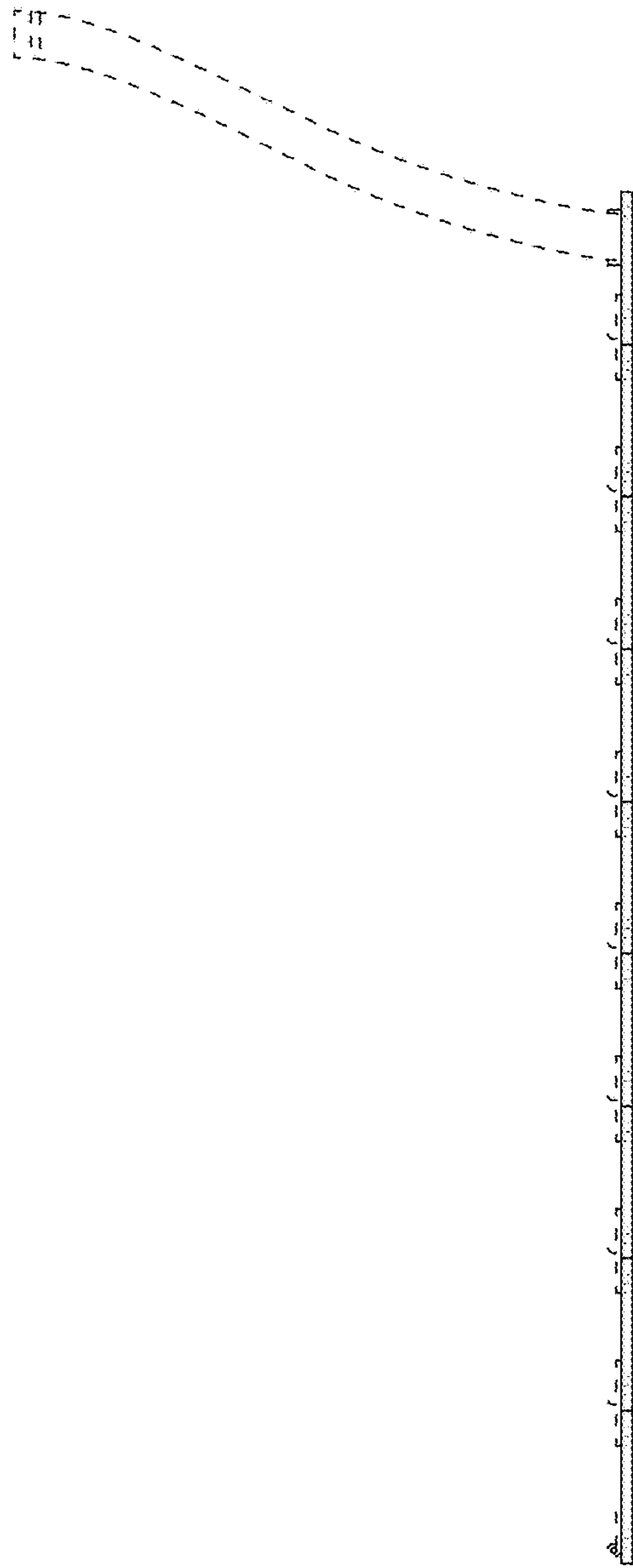


FIG. 4

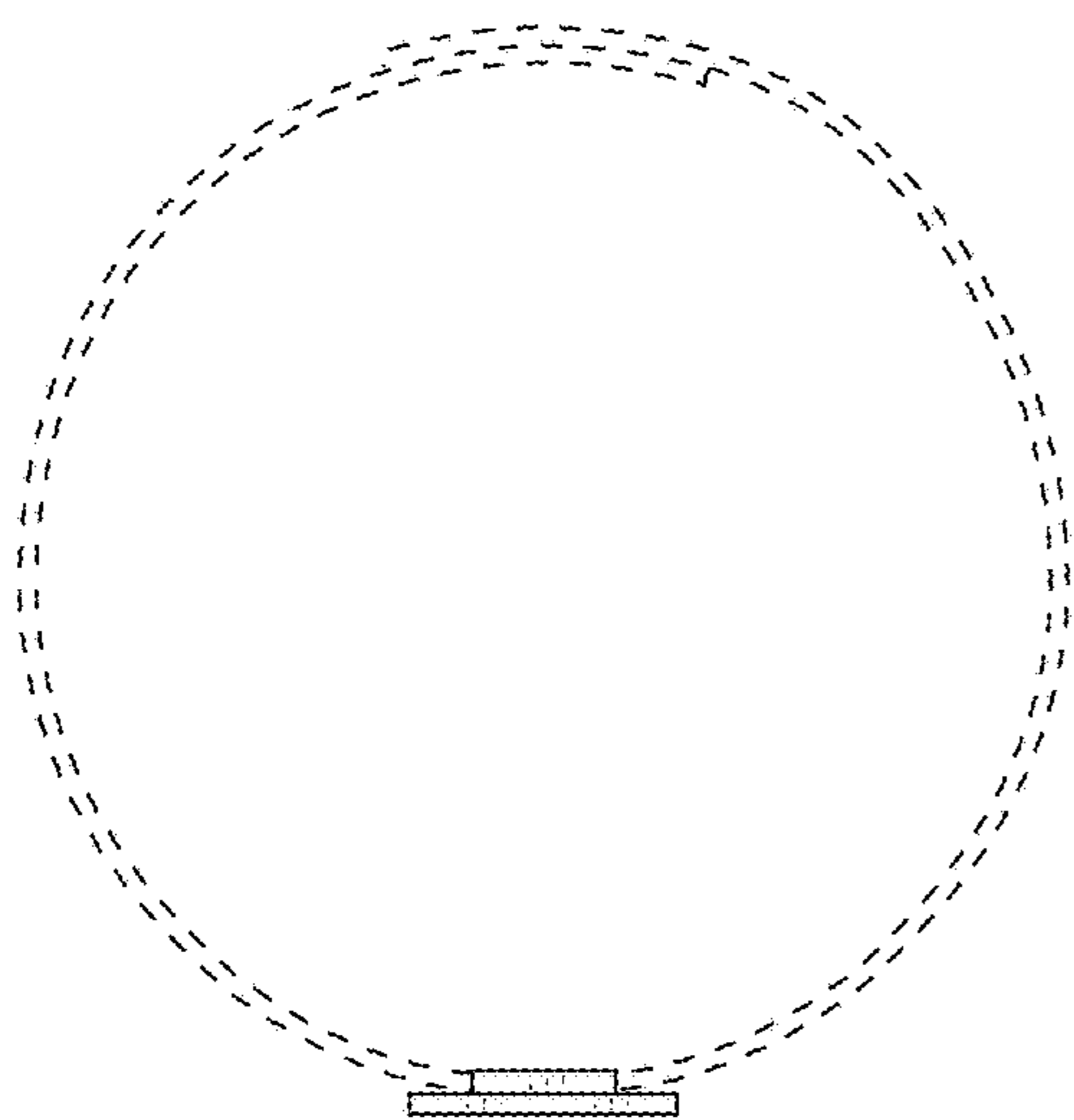


FIG. 5

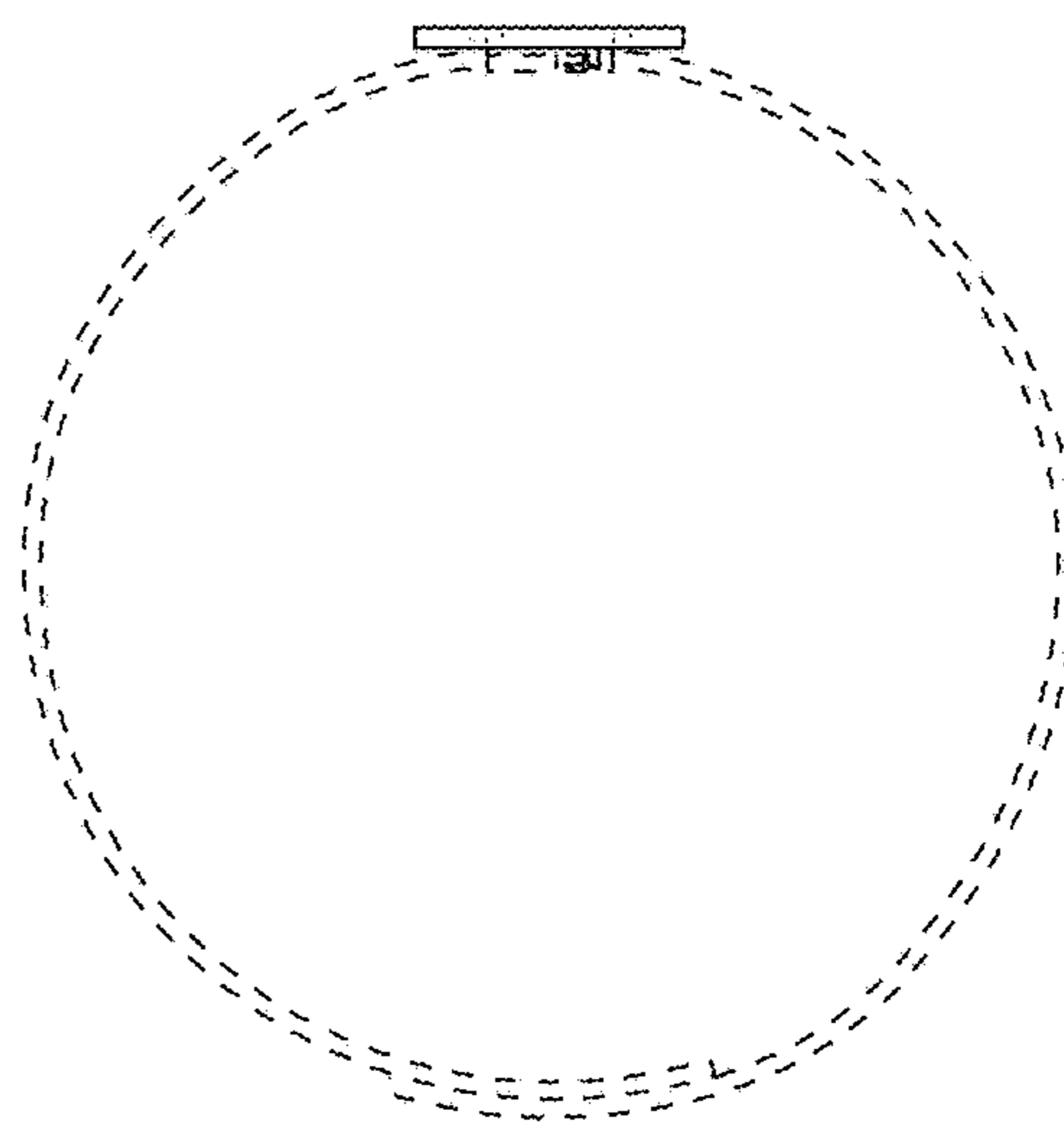


FIG. 6

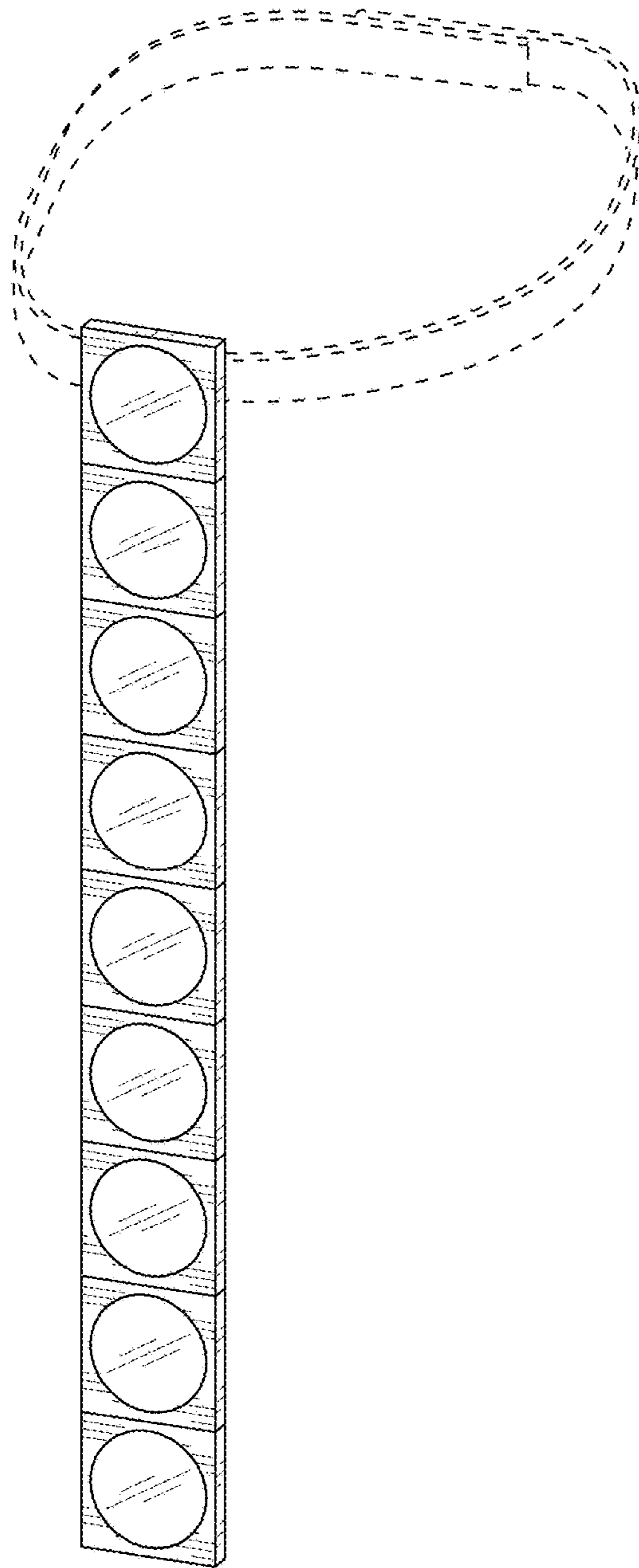


FIG. 7

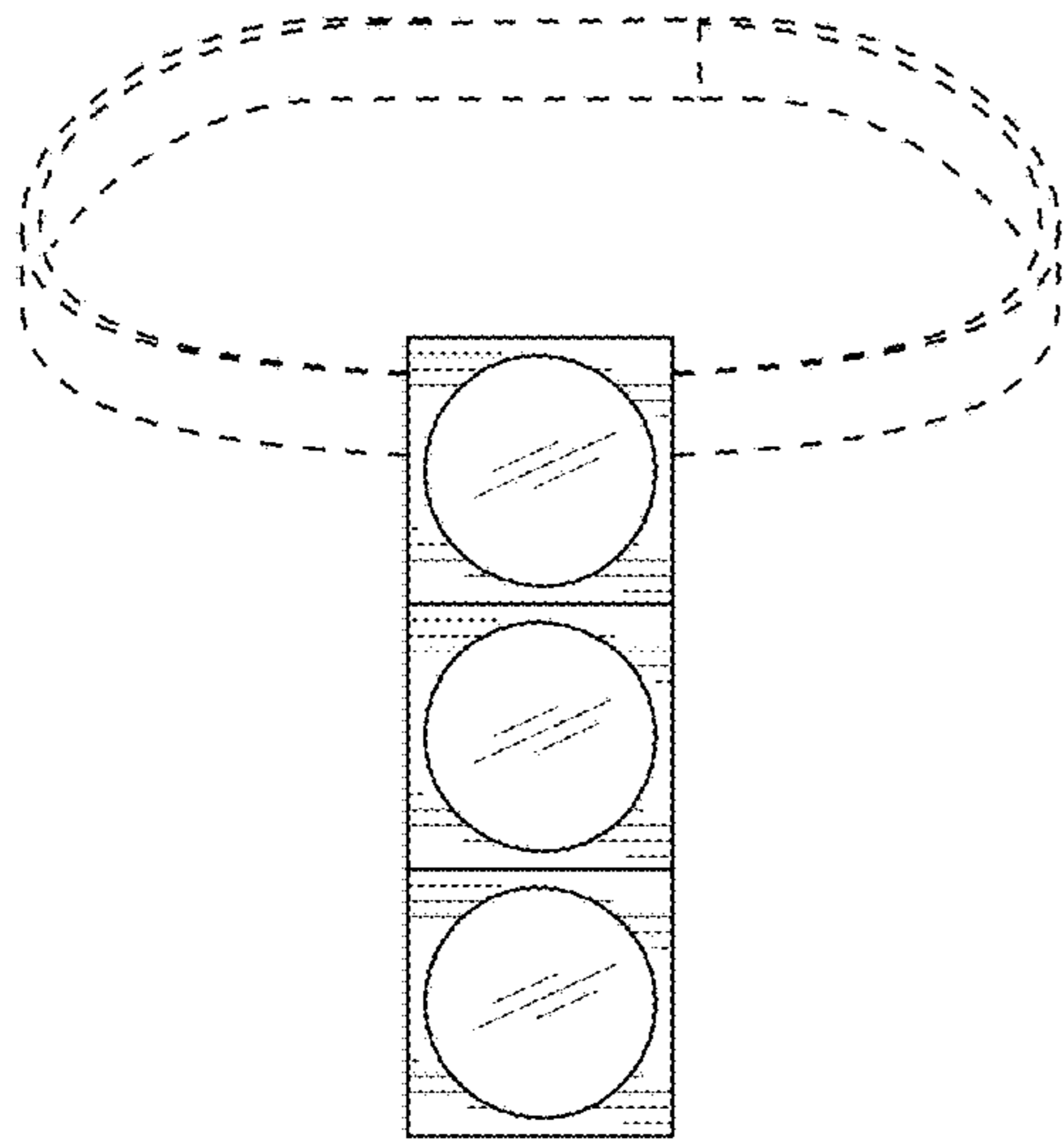


FIG. 8

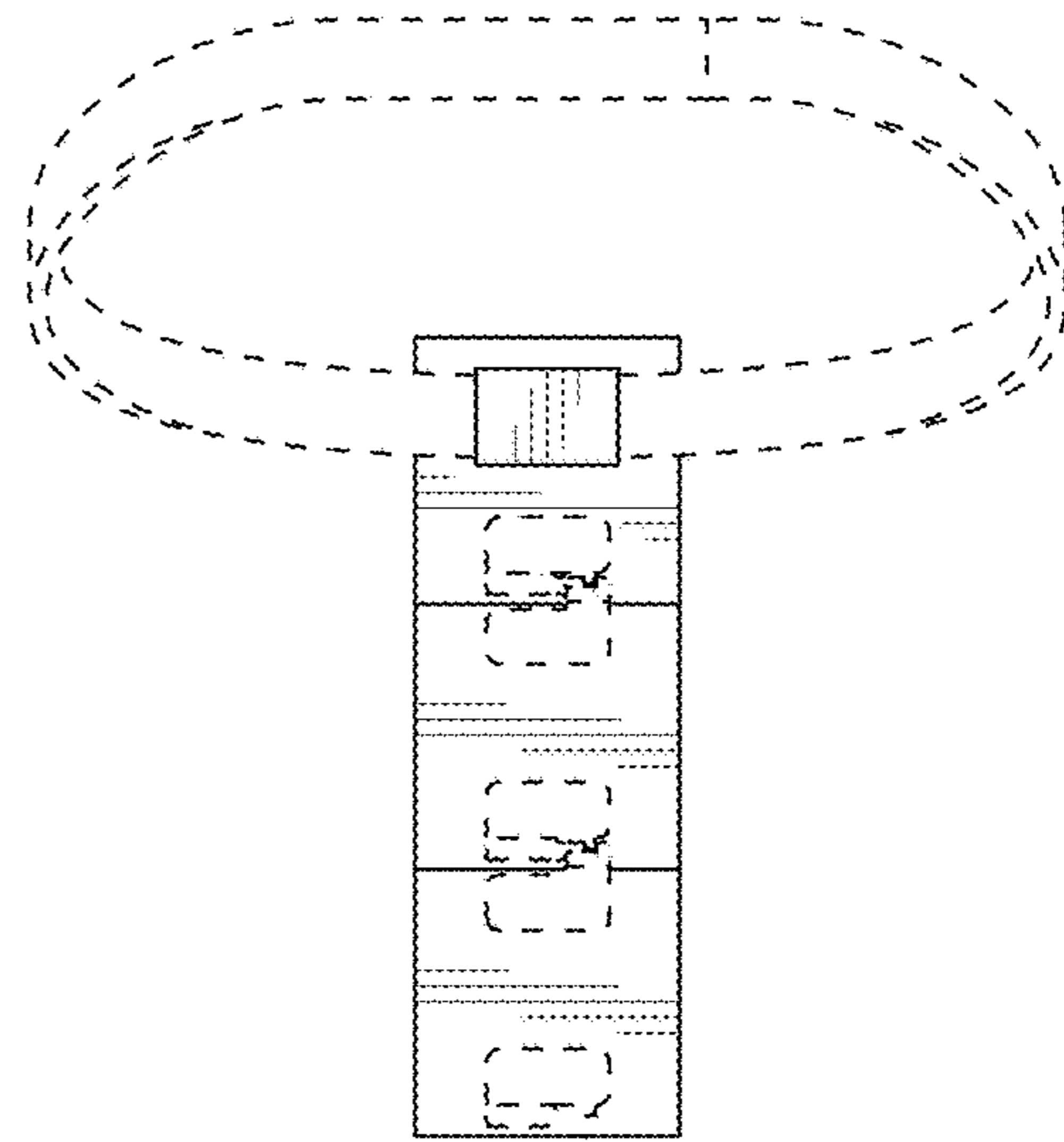


FIG. 9

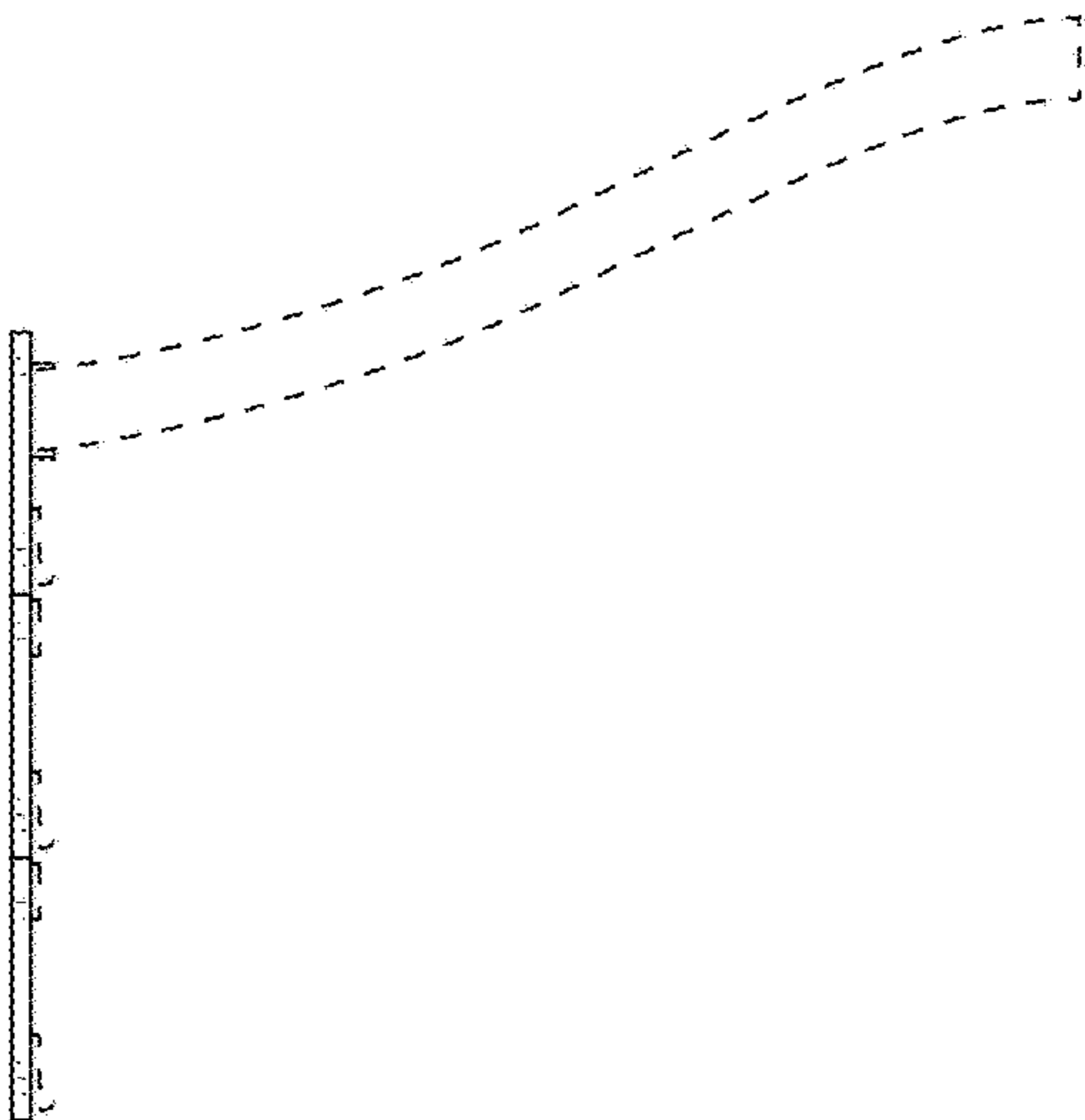


FIG. 10

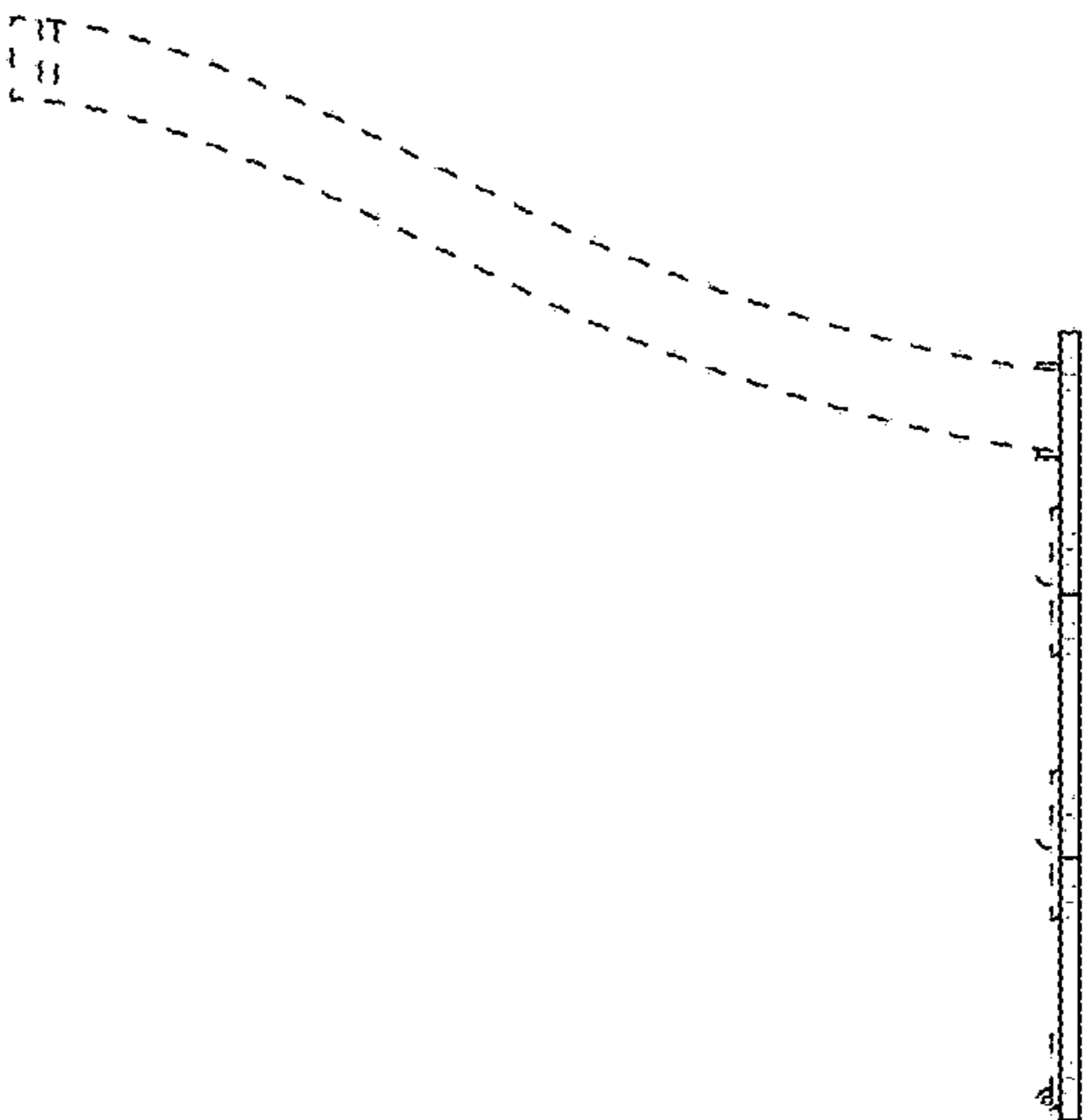


FIG. 11

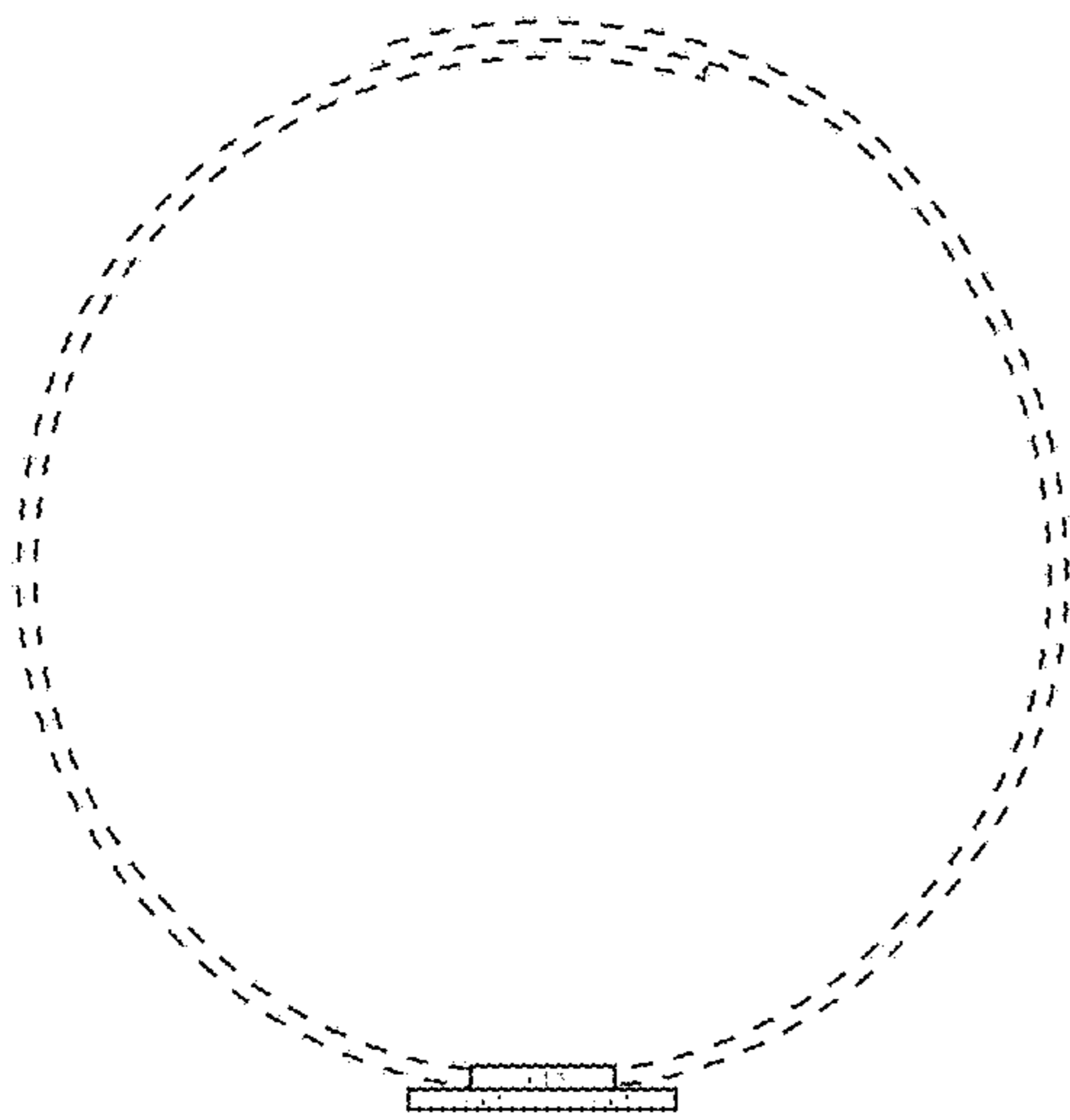


FIG. 12

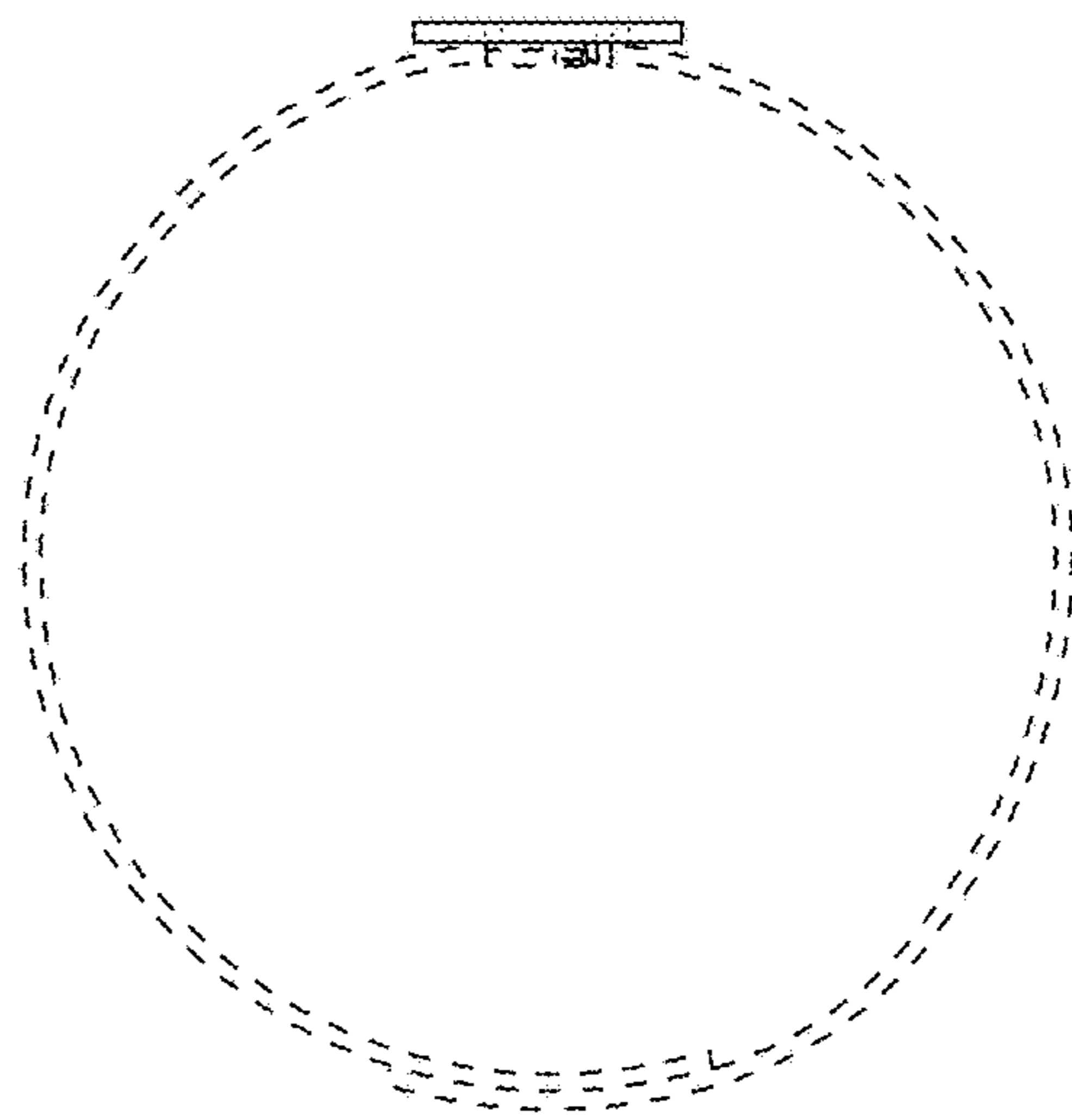


FIG. 13

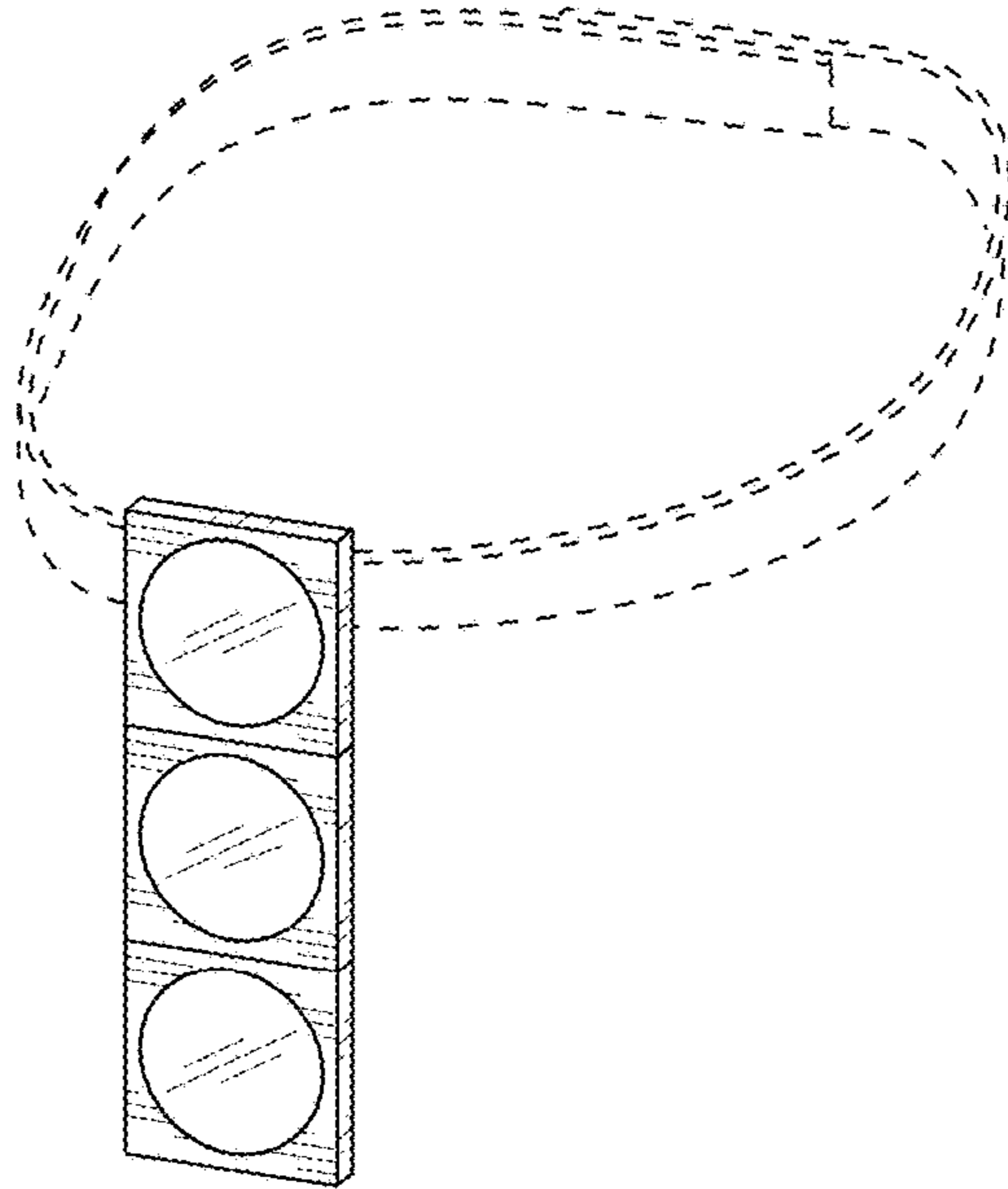


FIG. 14

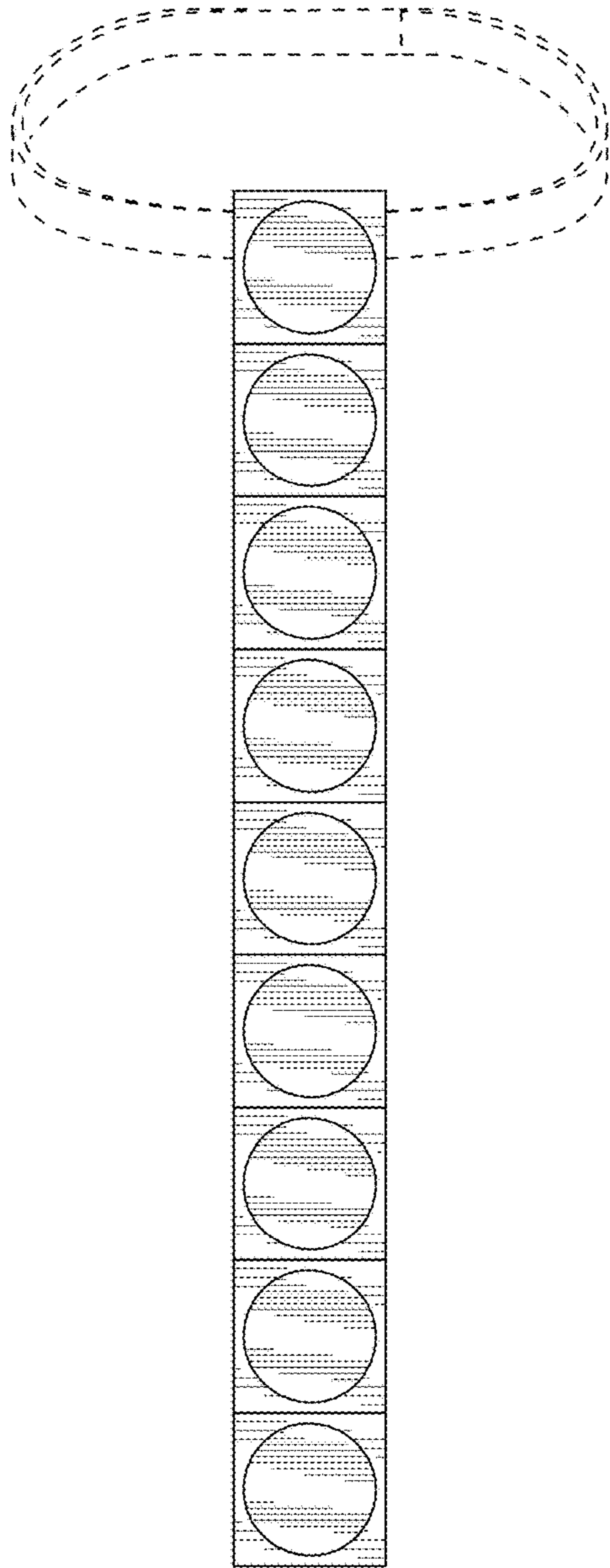


FIG. 15

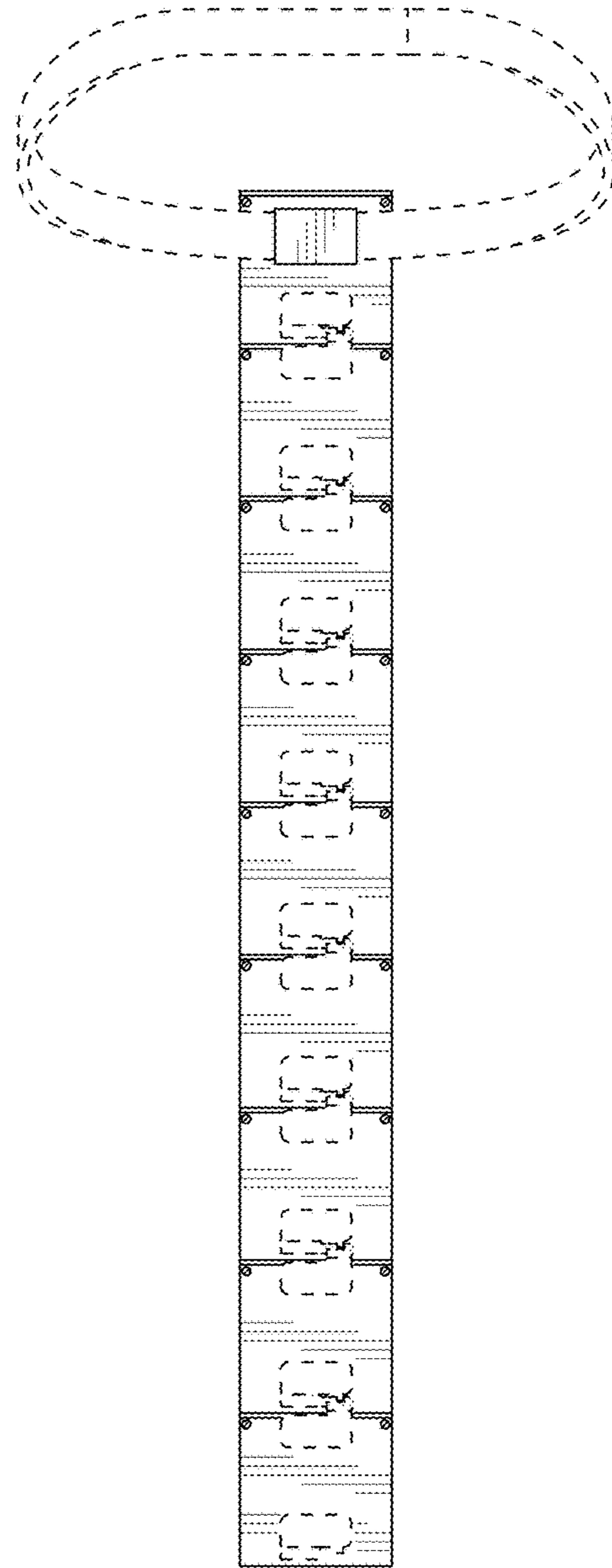


FIG. 16

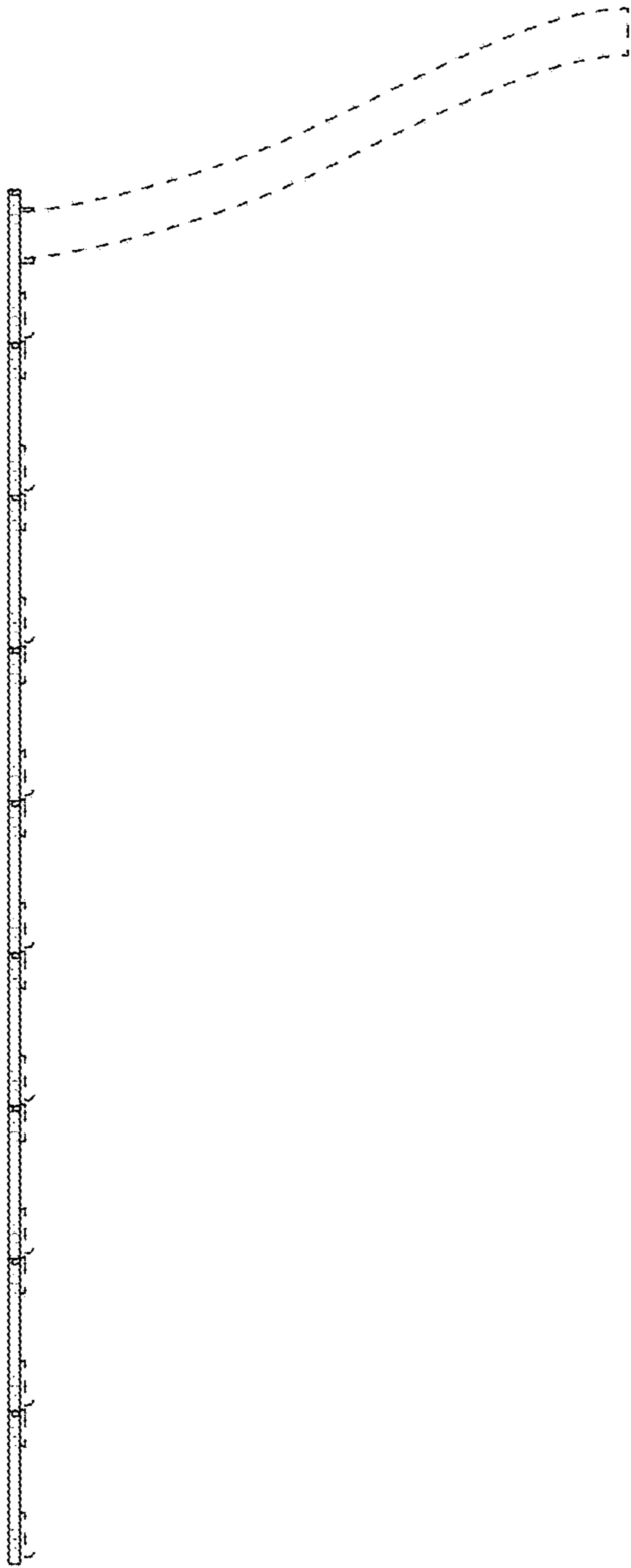


FIG. 17

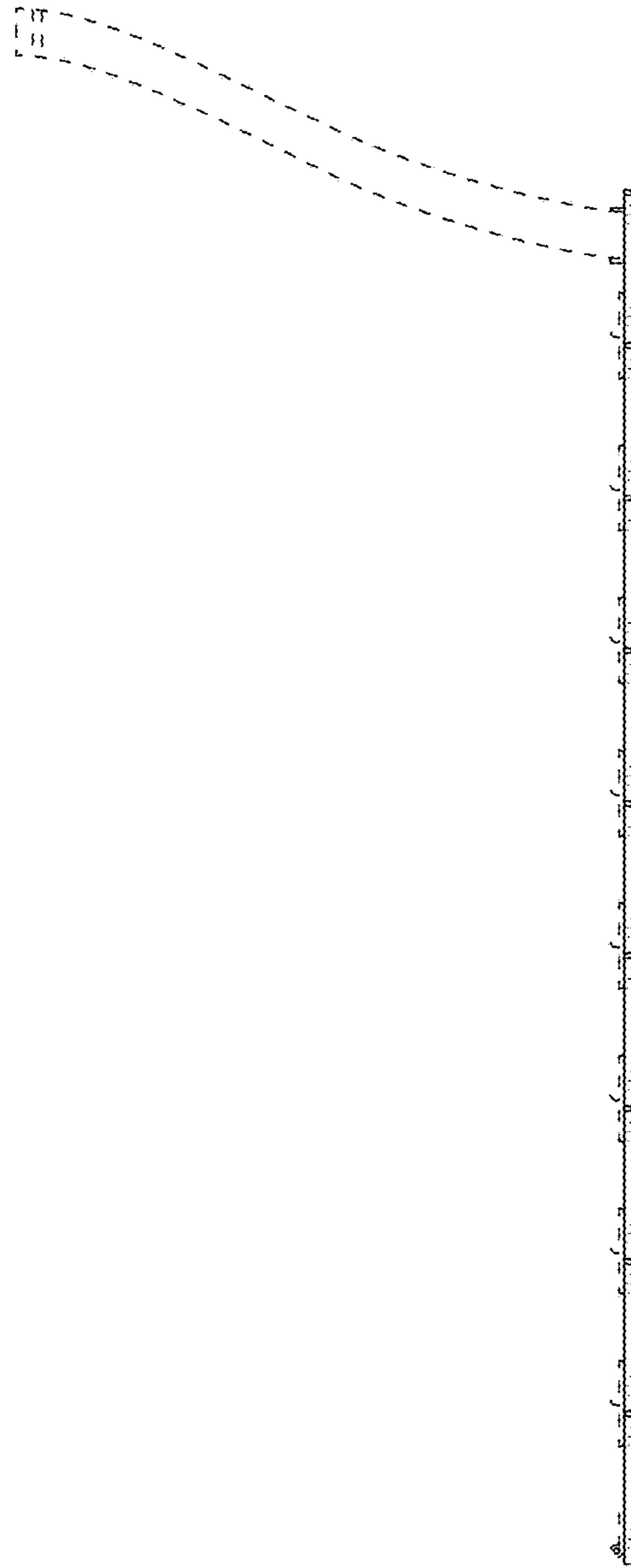


FIG. 18

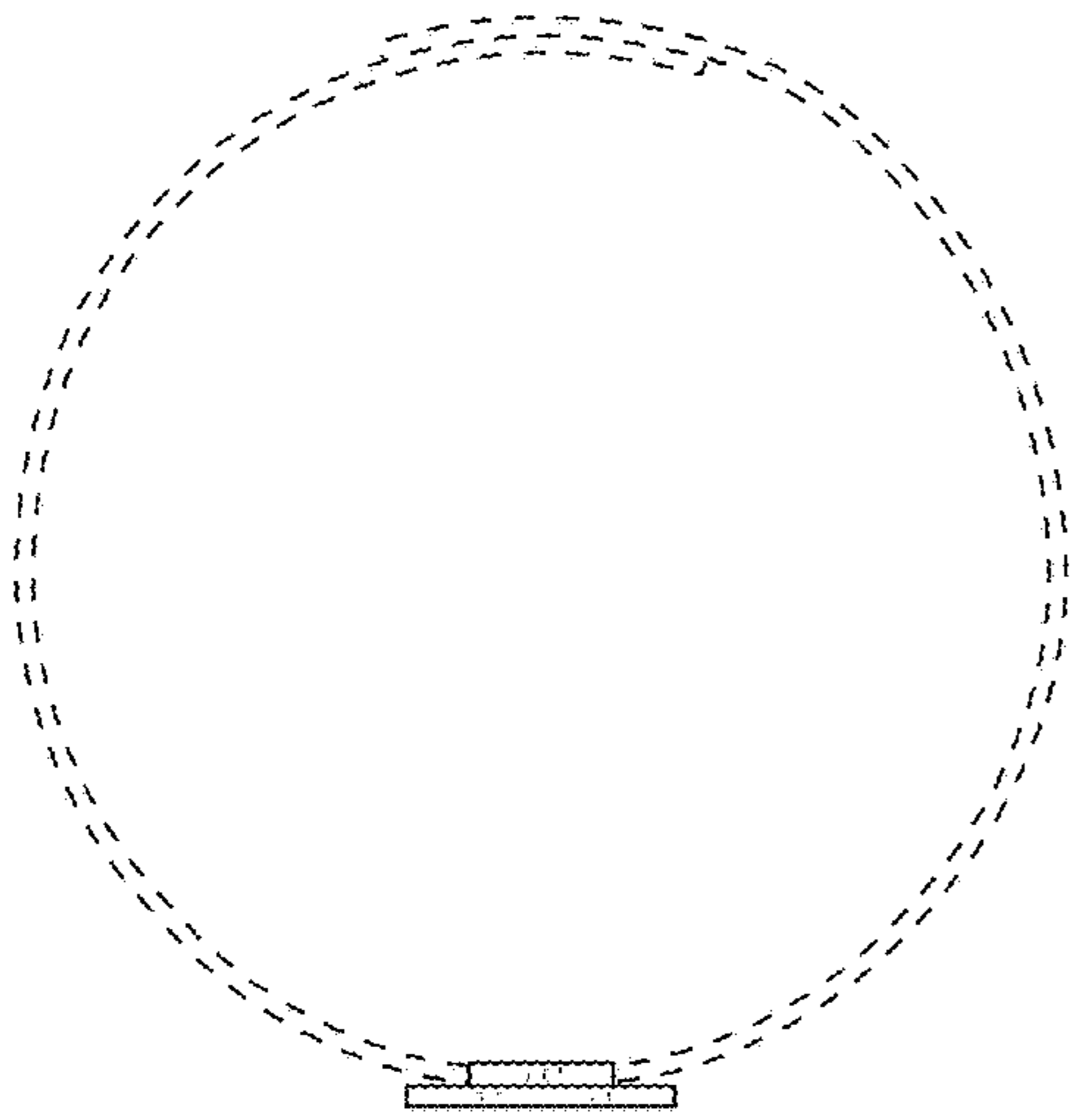


FIG. 19

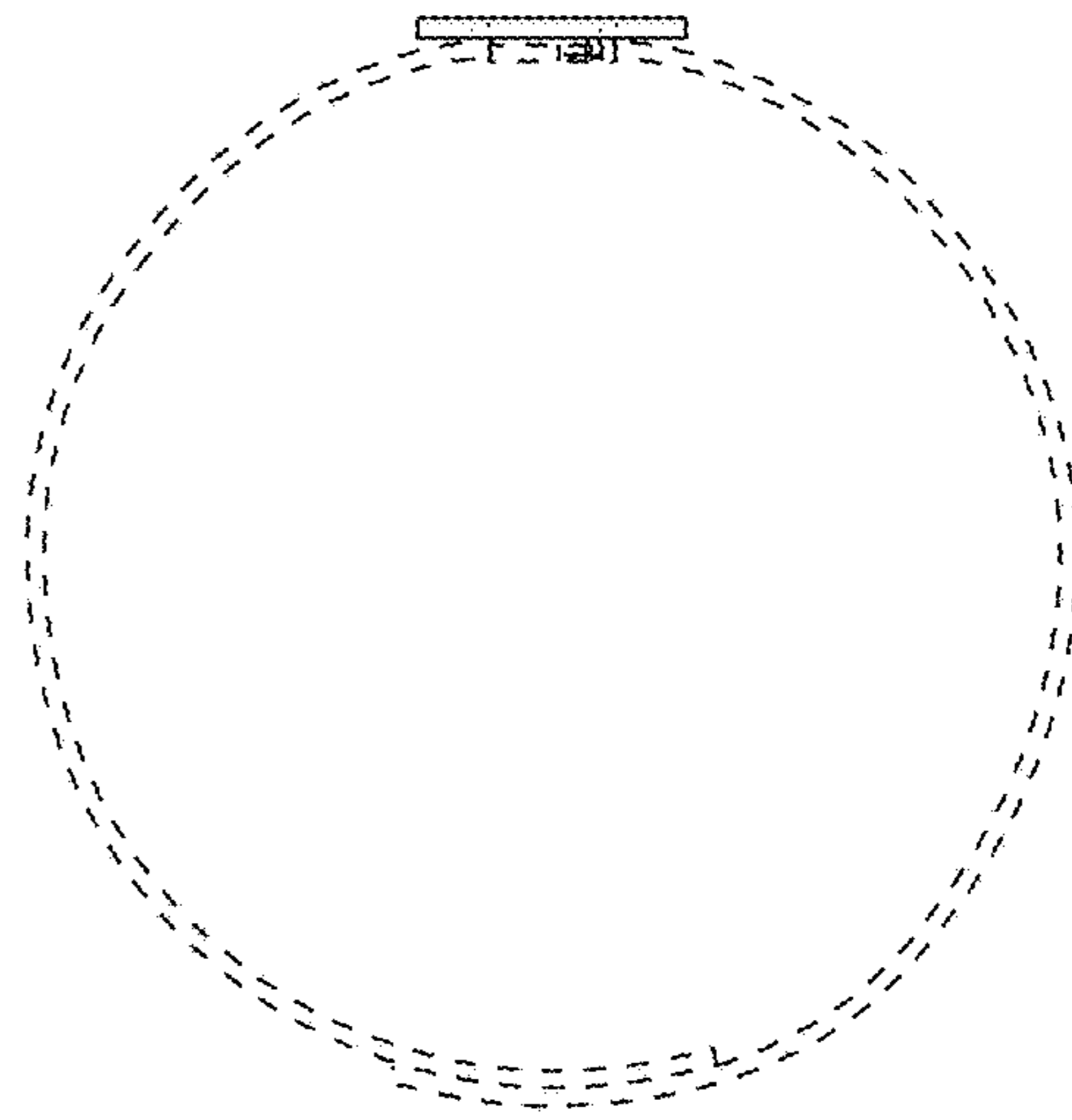


FIG. 20

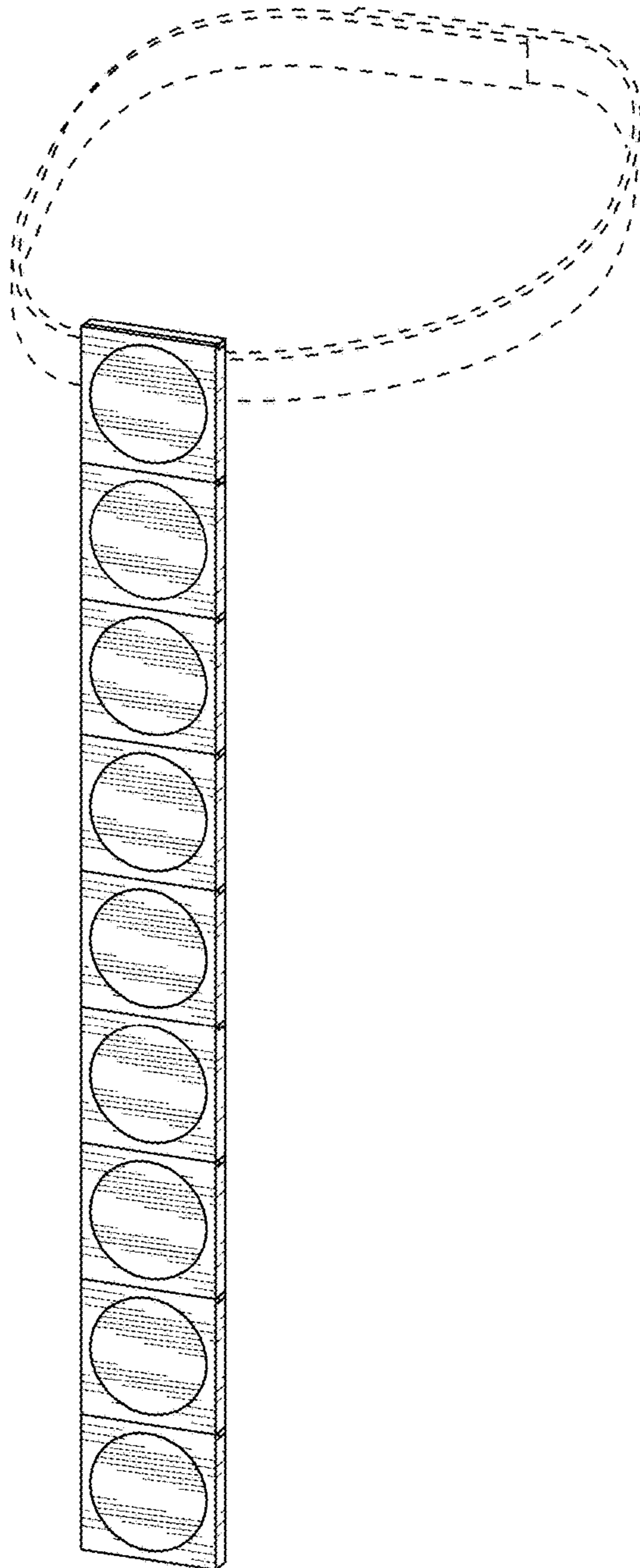


FIG. 21

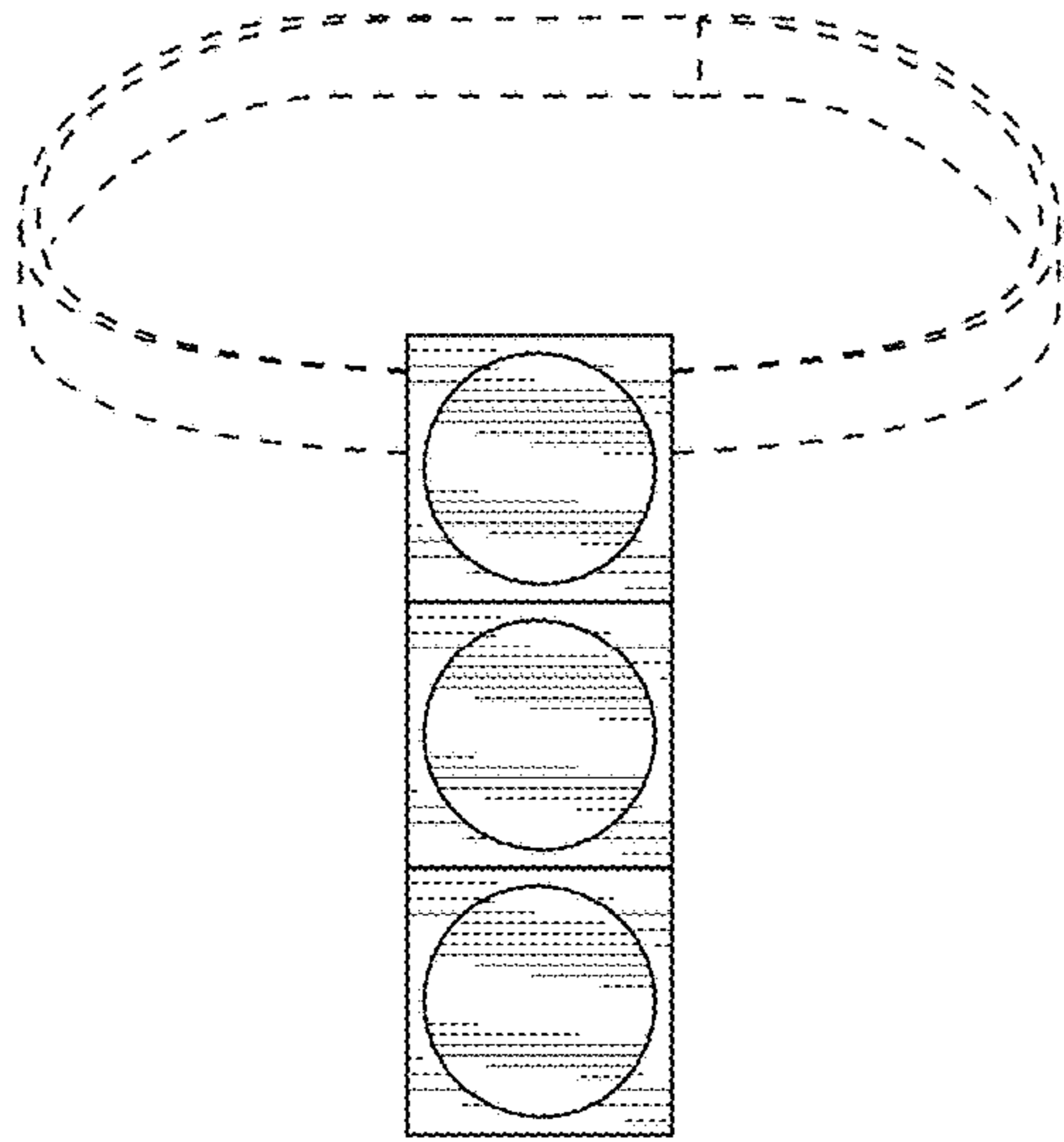


FIG. 22

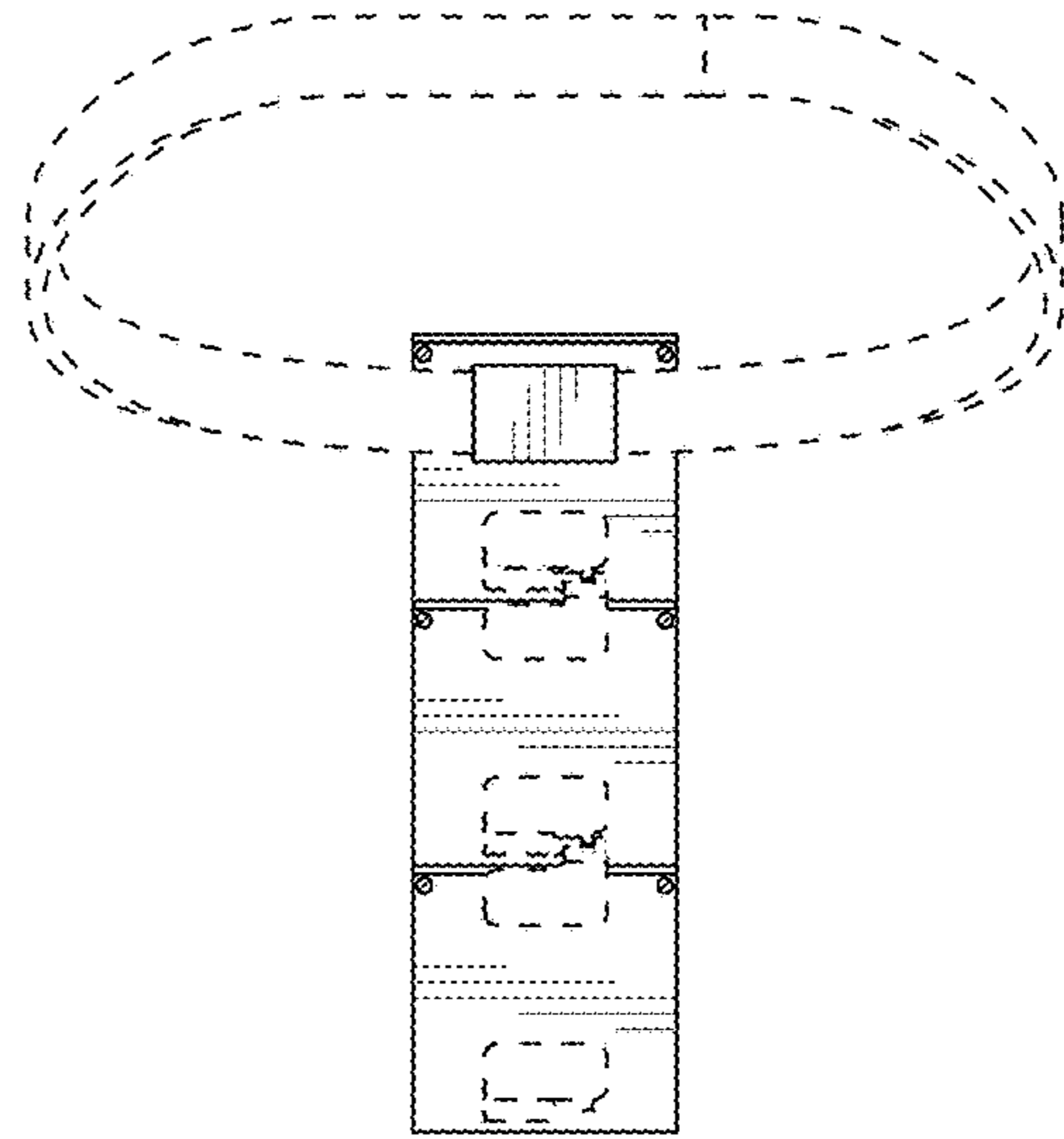


FIG. 23

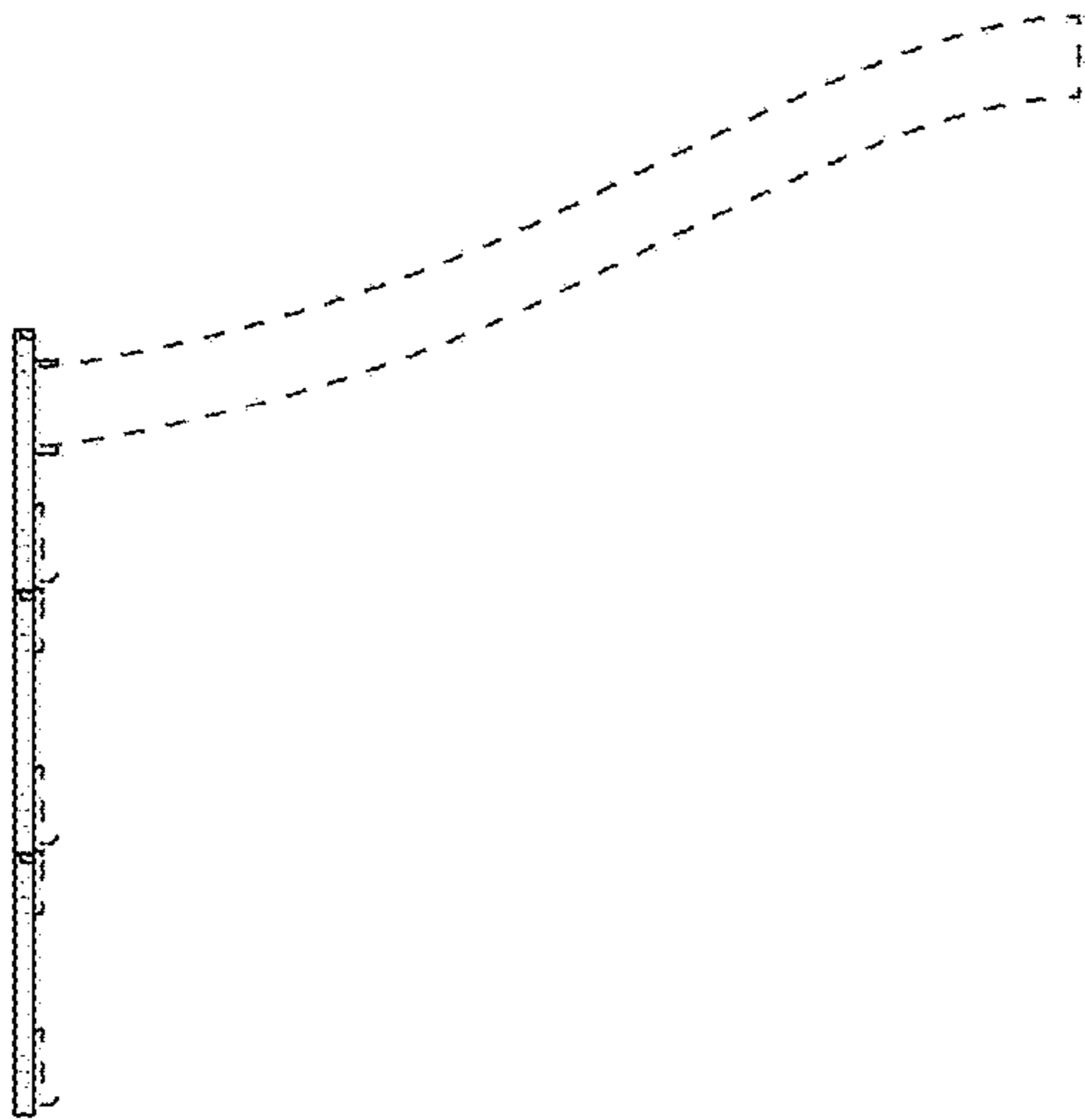


FIG. 24

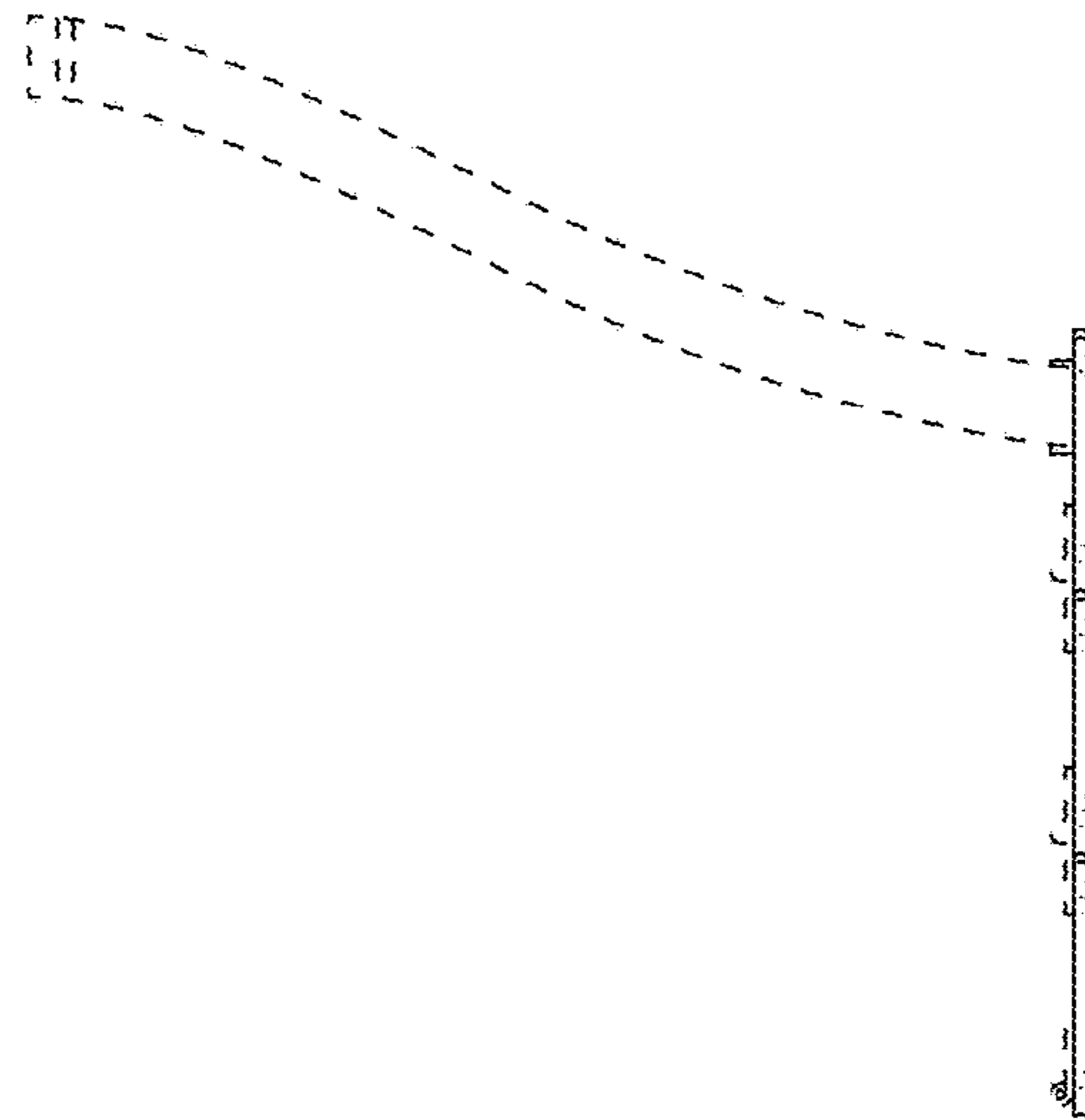


FIG. 25

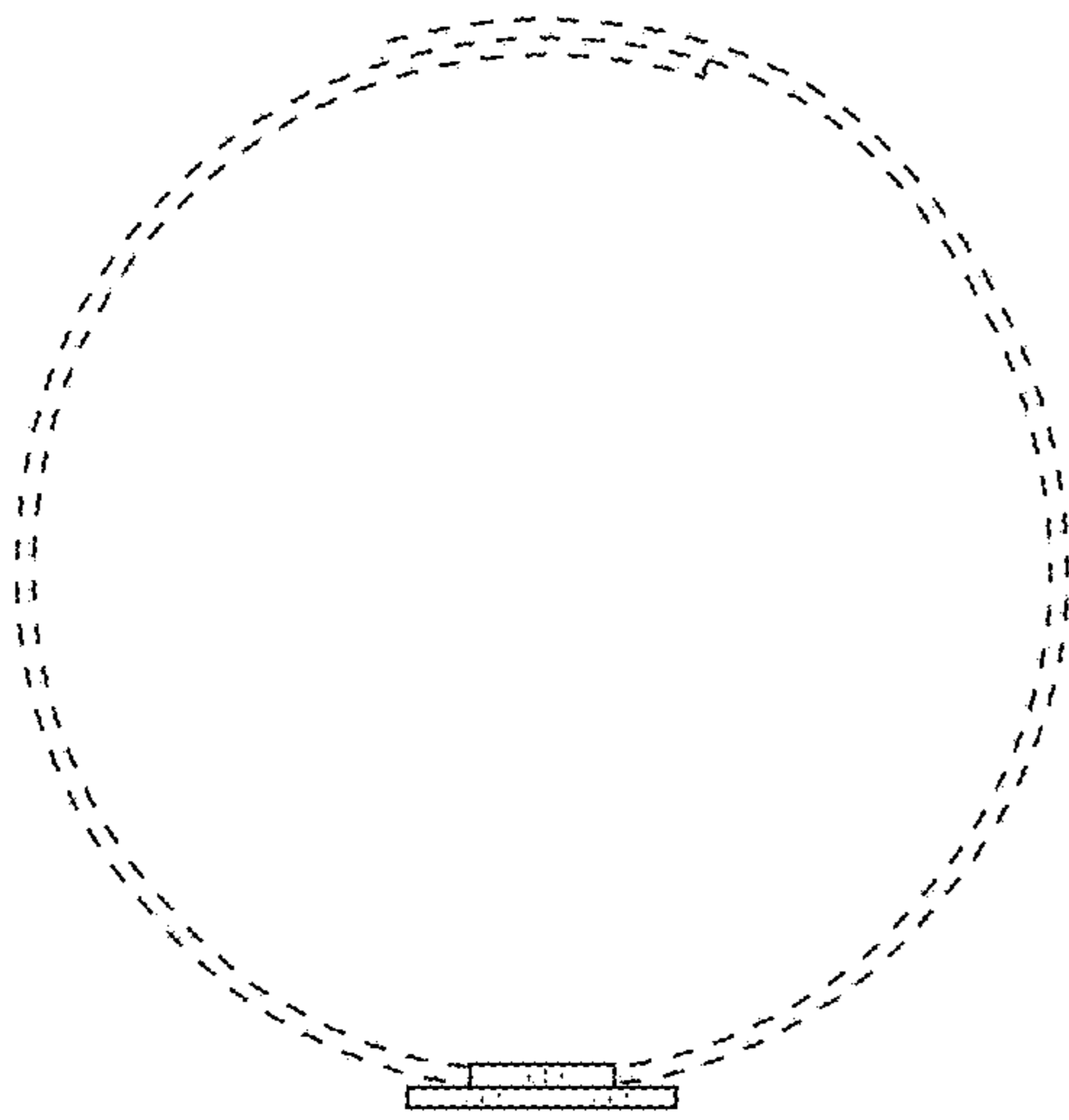


FIG. 26

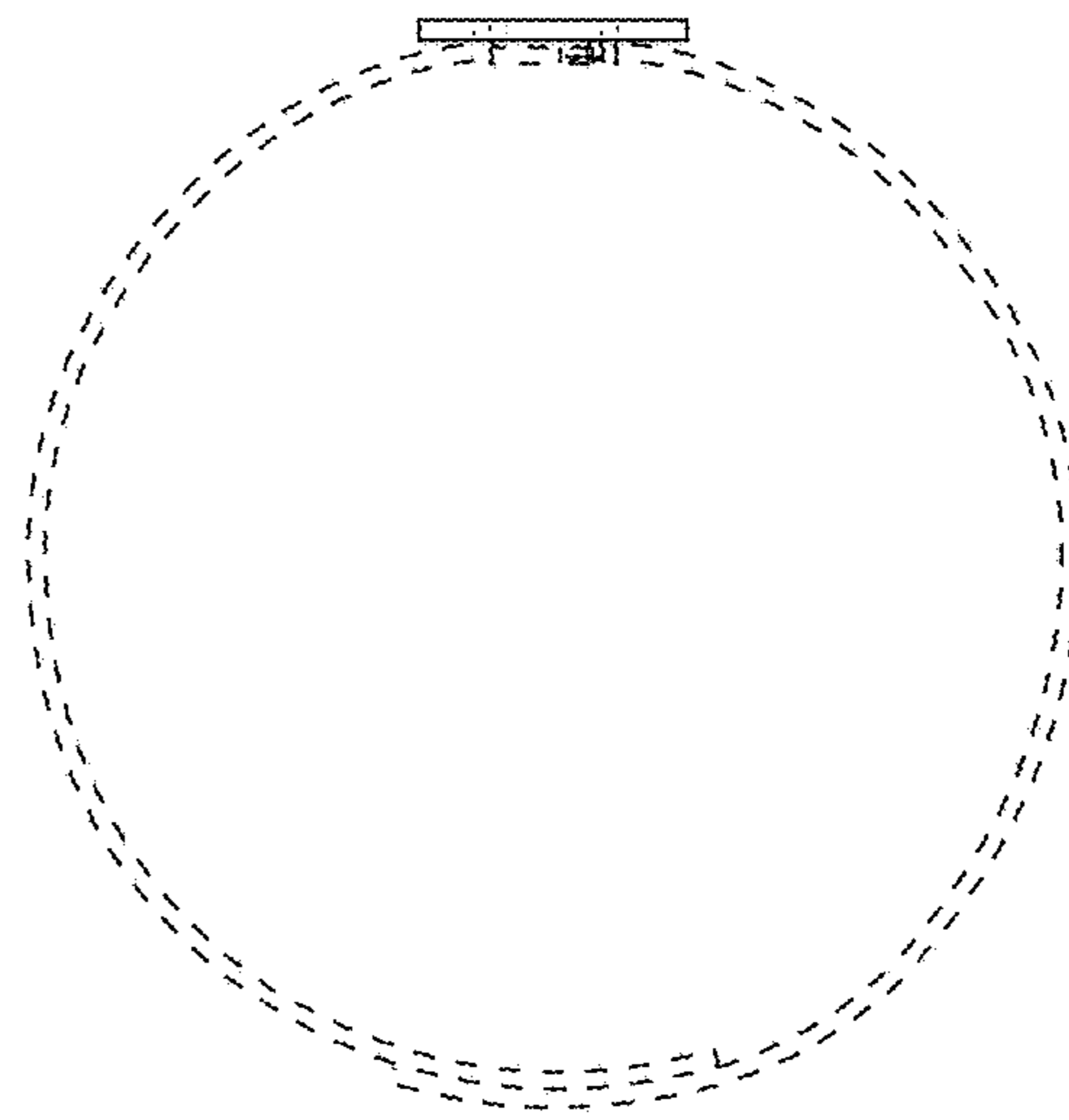


FIG. 27

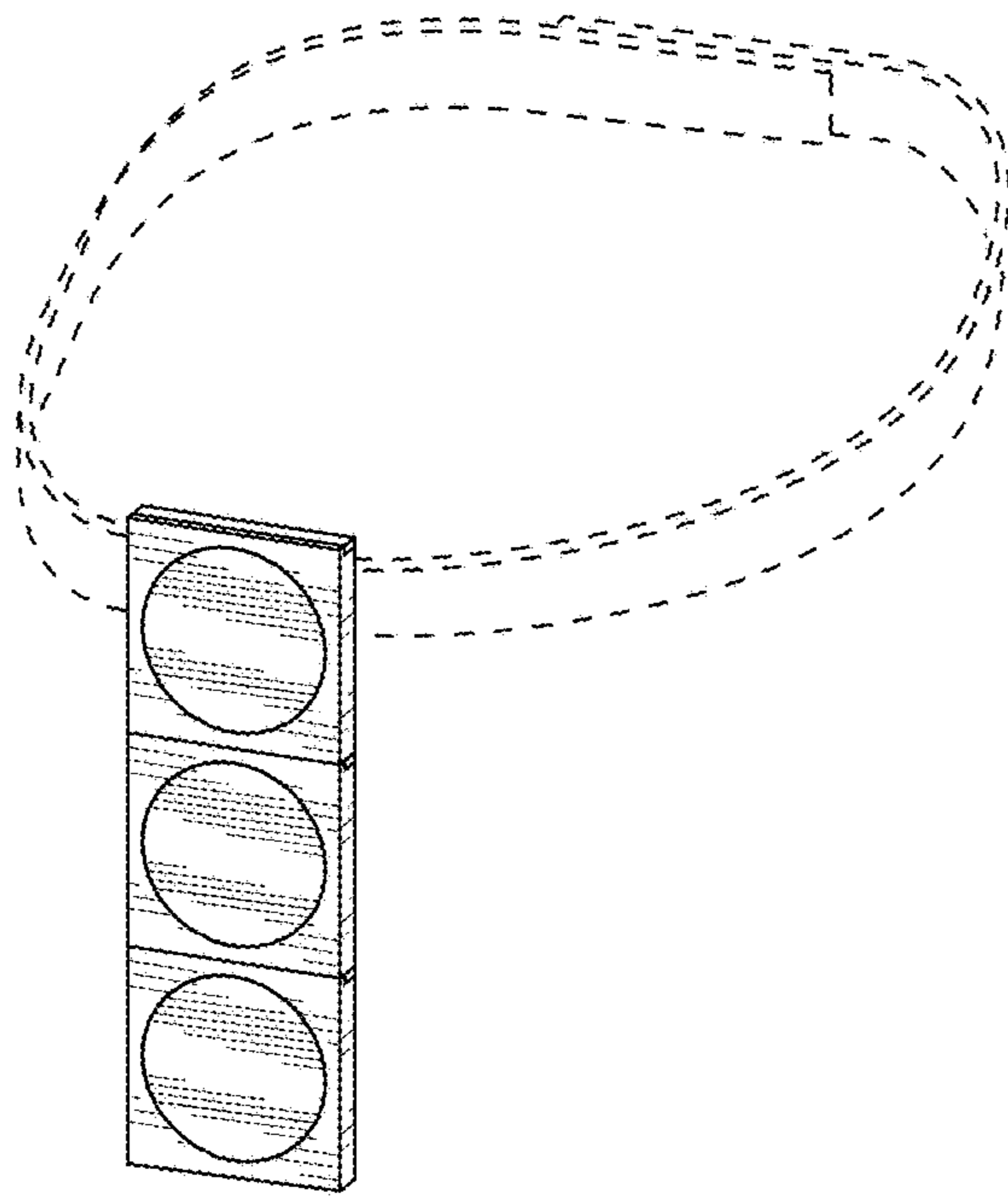


FIG. 28