



US00D825372S

(12) **United States Design Patent** (10) **Patent No.:** **US D825,372 S**
Bonner (45) **Date of Patent:** **** Aug. 14, 2018**

(54) **JEWELRY PRODUCT**

(71) Applicant: **Robert Jason Bonner**, Miramar, FL
(US)

(72) Inventor: **Robert Jason Bonner**, Miramar, FL
(US)

(73) Assignee: **National Chain Company**, Warwick,
RI (US)

(**) Term: **15 Years**

(21) Appl. No.: **29/626,337**

(22) Filed: **Nov. 16, 2017**

Related U.S. Application Data

(62) Division of application No. 29/542,868, filed on Oct.
19, 2015, now Pat. No. Des. 804,983.

(51) **LOC (11) Cl.** **11-01**

(52) **U.S. Cl.**
USPC **D11/79**

(58) **Field of Classification Search**
USPC D11/1-25, 40-48, 79-87, 93, 94, 151;
D8/387; D23/243, 250, 245, 235, 262
CPC A44C 1/00; A44C 3/00; A44C 5/00; A44C
7/00; A44C 7/002; A44C 7/003; A44C
7/004; A44C 11/00; A44C 11/007; A44C
13/00; A44C 15/001; A44C 15/005; A44C
15/0055; A44C 25/00; A44C 25/001;
A44C 25/007; A44C 25/008
See application file for complete search history.

(56) **References Cited**

U.S. PATENT DOCUMENTS

D130,442 S * 11/1941 Goodman D11/87
D135,661 S * 5/1943 Krauter D8/387
D252,452 S * 7/1979 Fermahin D11/81
D260,103 S * 8/1981 Appel D11/157

D267,627 S * 1/1983 Hultin D8/387
D306,835 S * 3/1990 Johnson D11/79
D325,226 S * 4/1992 Bryen D21/478
D333,179 S * 2/1993 Mikiya D23/262
D365,040 S * 12/1995 Whitman D11/131
D451,426 S * 12/2001 Fitzpatrick D11/81
D620,084 S * 7/2010 Talamantez D23/262
D737,170 S * 8/2015 Lafond D11/87
D753,477 S * 4/2016 Jackson D8/387
D779,046 S * 2/2017 Tansey, Jr. D23/262
D787,979 S * 5/2017 Bonner

(Continued)

OTHER PUBLICATIONS

[Online] <https://lucypriestjewellery.com/shop/gold-plated-nut-and-bolt-necklace>. Retrieved May 24, 2018.*

(Continued)

Primary Examiner — Melanie Pellegrini

(74) *Attorney, Agent, or Firm* — Salter & Michaelson

(57) **CLAIM**

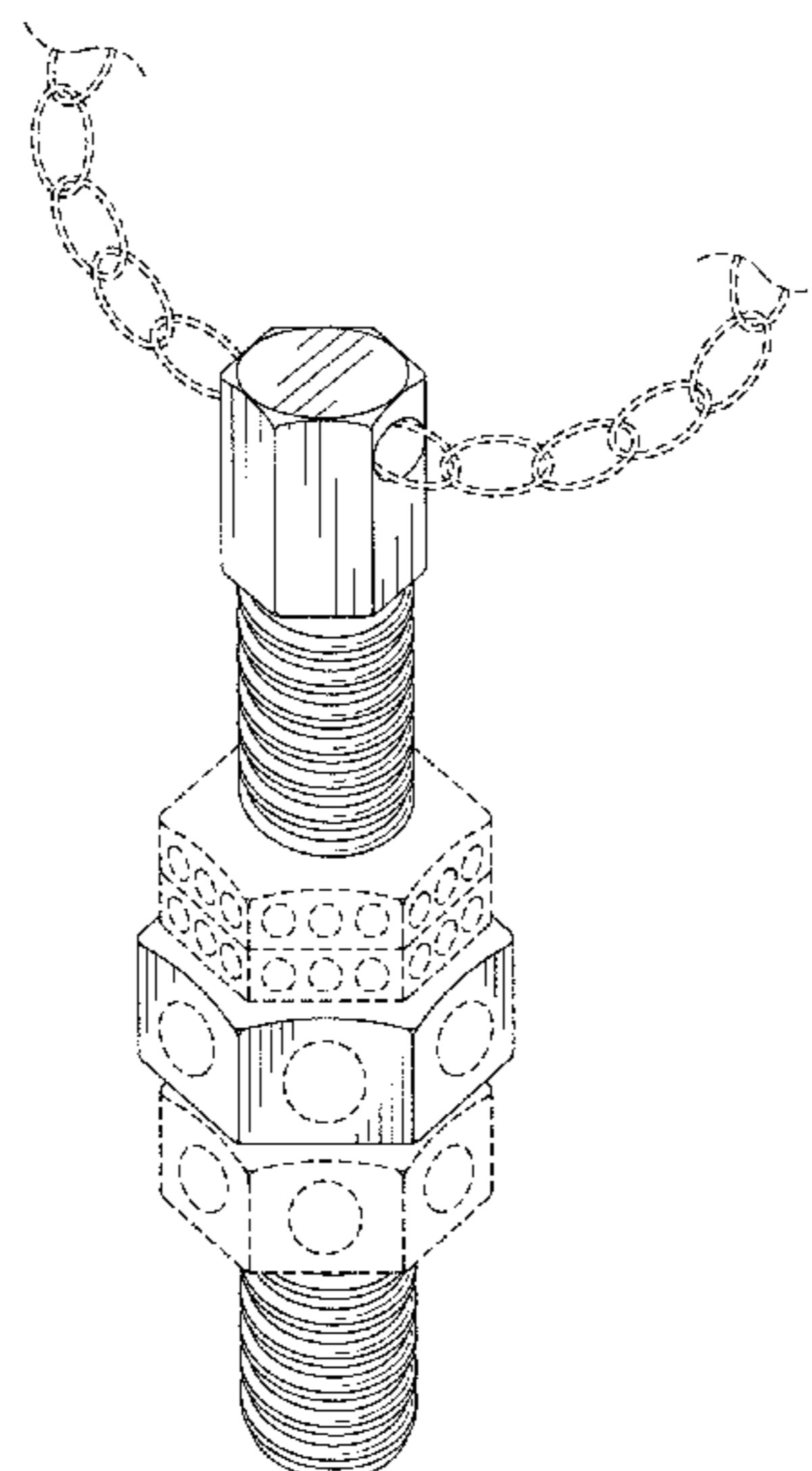
The ornamental design for a jewelry product, as shown and described.

DESCRIPTION

FIG. 1 is a perspective view of a jewelry product;
FIG. 2 is a front elevational view thereof;
FIG. 3 is a rear elevational view thereof;
FIG. 4 is a top plan view thereof;
FIG. 5 is a bottom plan view thereof;
FIG. 6 is a left side elevational view thereof;
FIG. 7 is a right side elevational view thereof; and,
FIG. 8 is an exploded perspective view.

The broken lines shown in the drawings showing a chain represent environmental structure which form no part of the claimed design. The remaining broken lines represent portions of the jewelry product which form no part of the claimed design.

1 Claim, 7 Drawing Sheets



(56)

References Cited

U.S. PATENT DOCUMENTS

D792,201 S * 7/2017 Baiz D8/387
9,756,909 B1 9/2017 Bonner
D804,982 S * 12/2017 Bonner D11/79
D804,983 S * 12/2017 Bonner D11/79

OTHER PUBLICATIONS

[Online] <https://www.infarrantlycreative.net/nuts-and-colored-bolts-necklace/>. Retrieved May 24, 2018. Posted online May 8, 2015.*

* cited by examiner

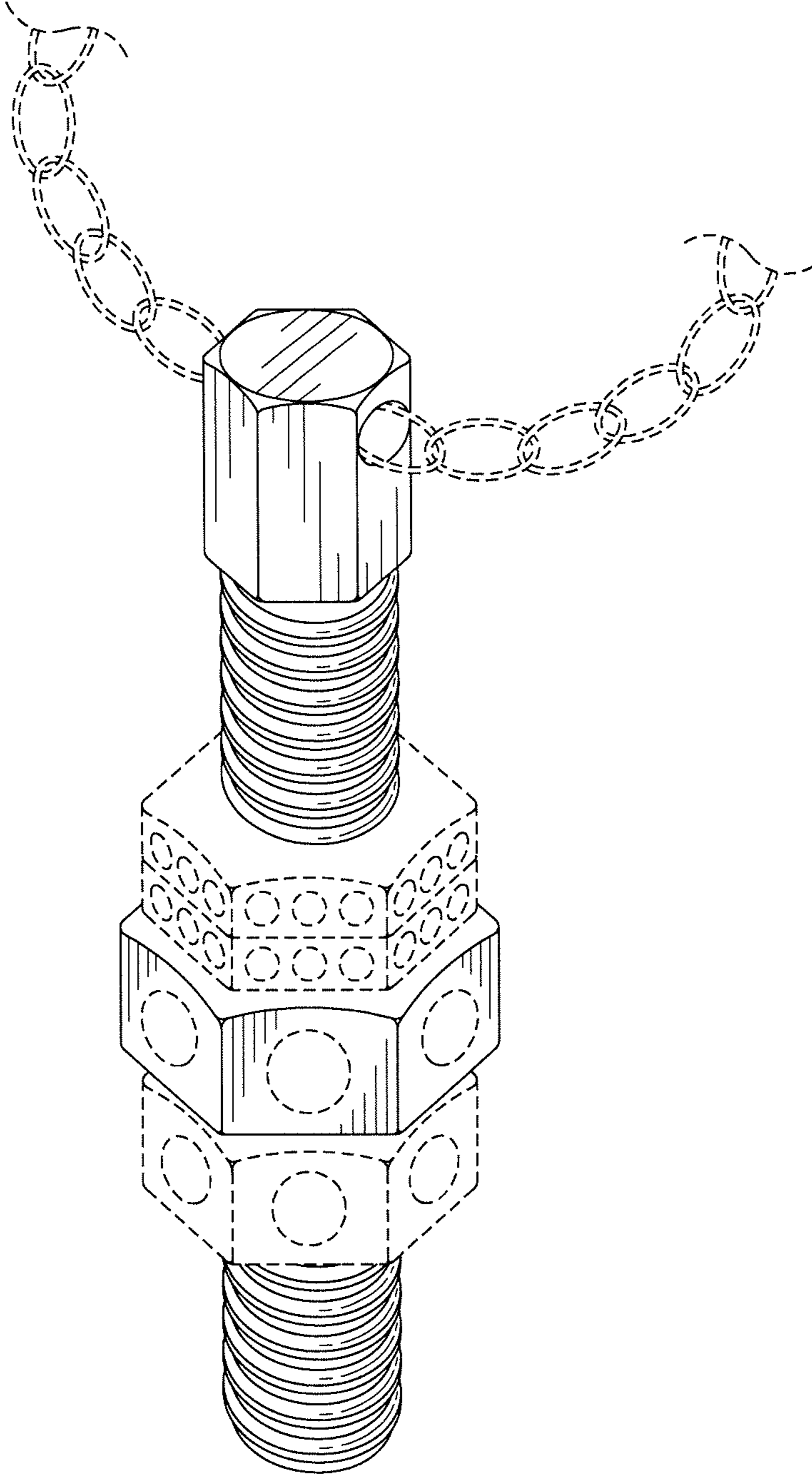


FIG. 1

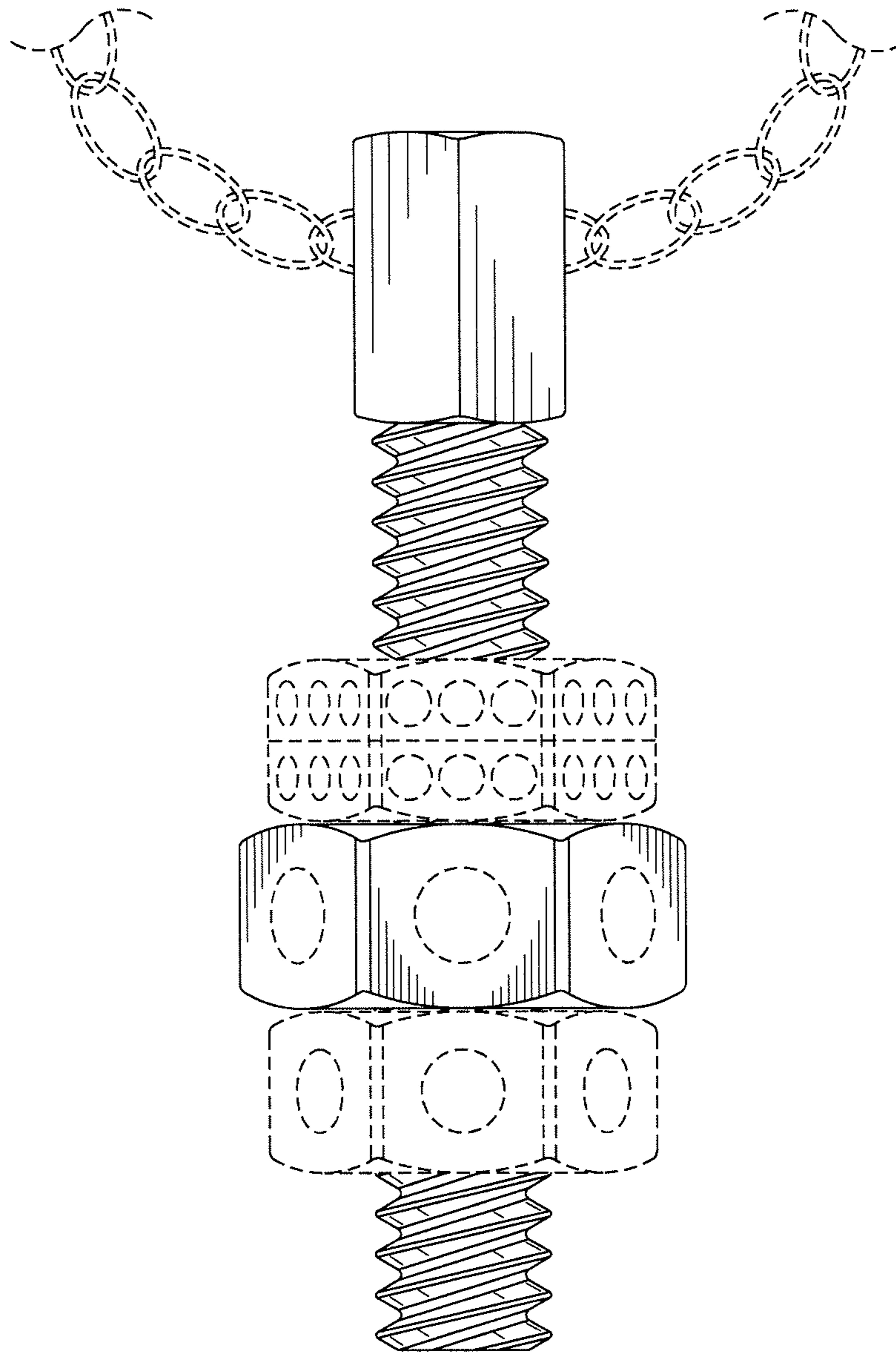


FIG. 2

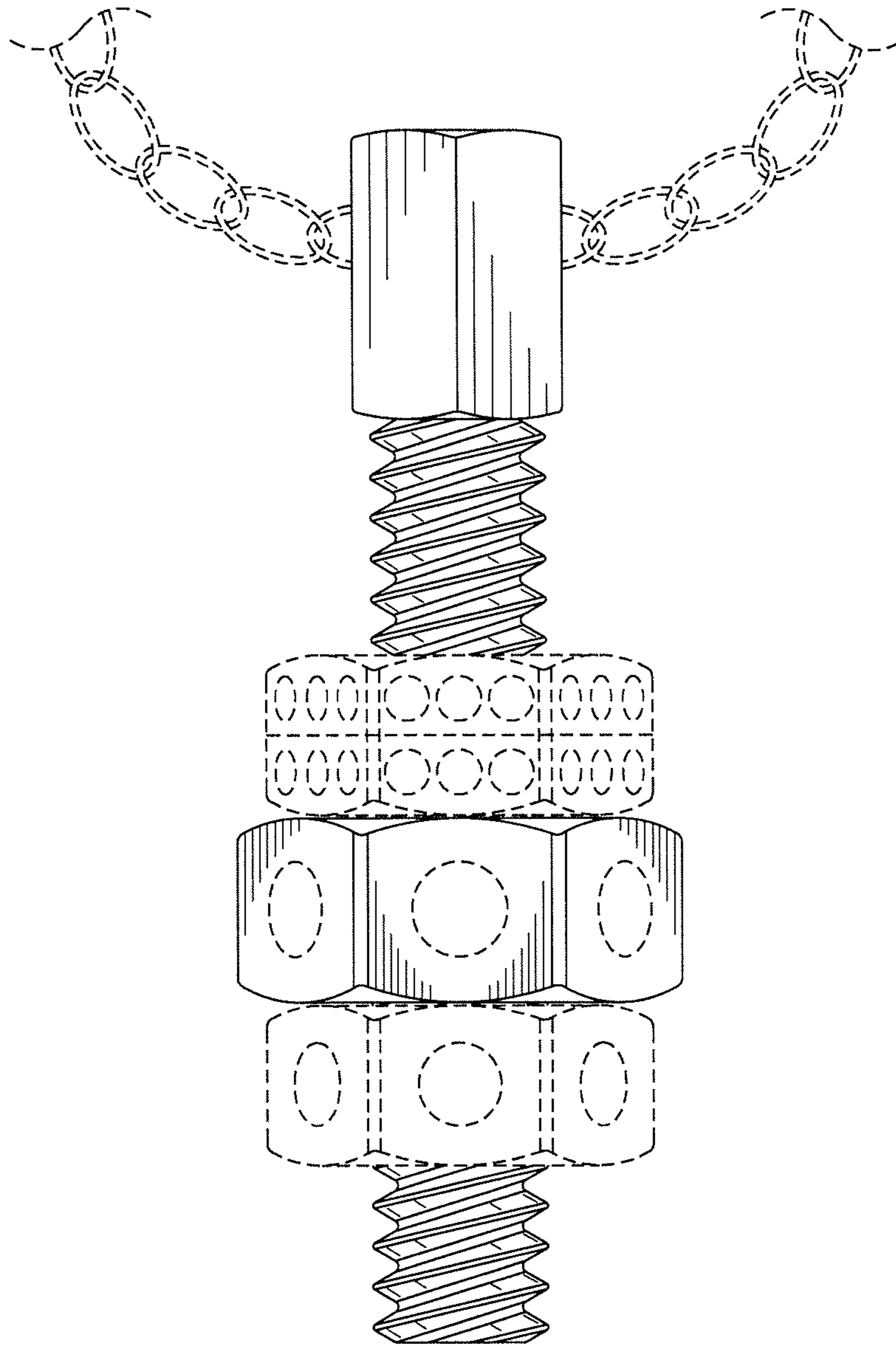


FIG. 3

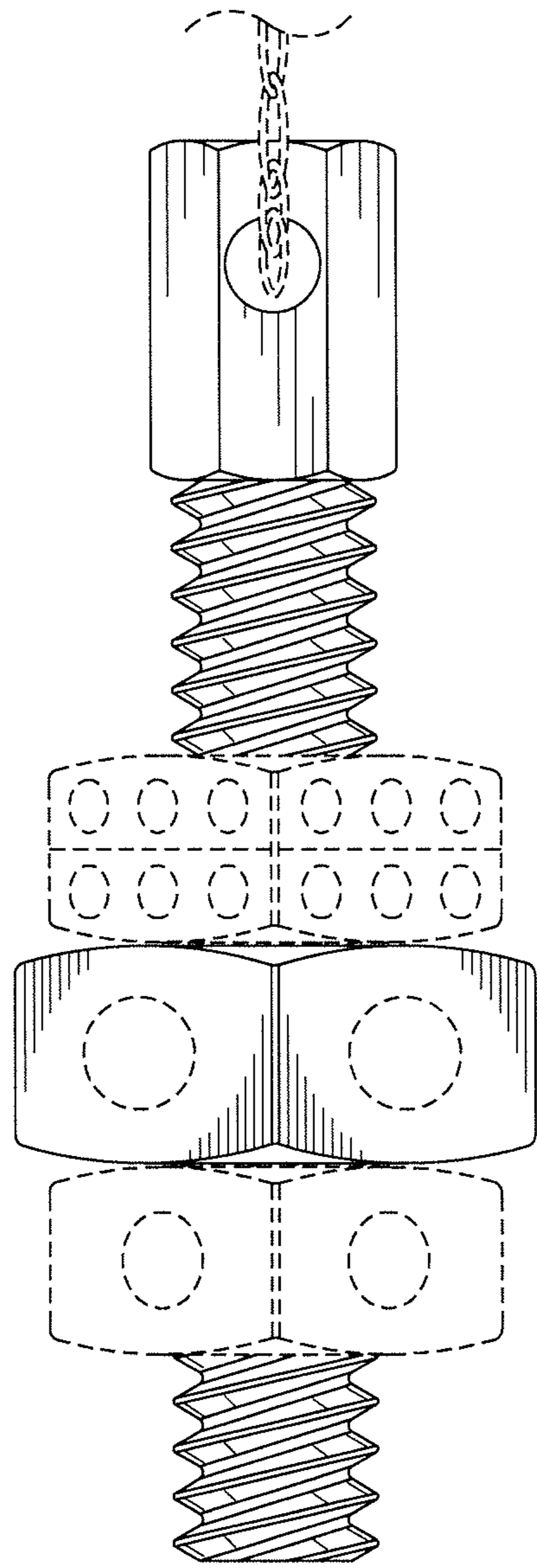


FIG. 4

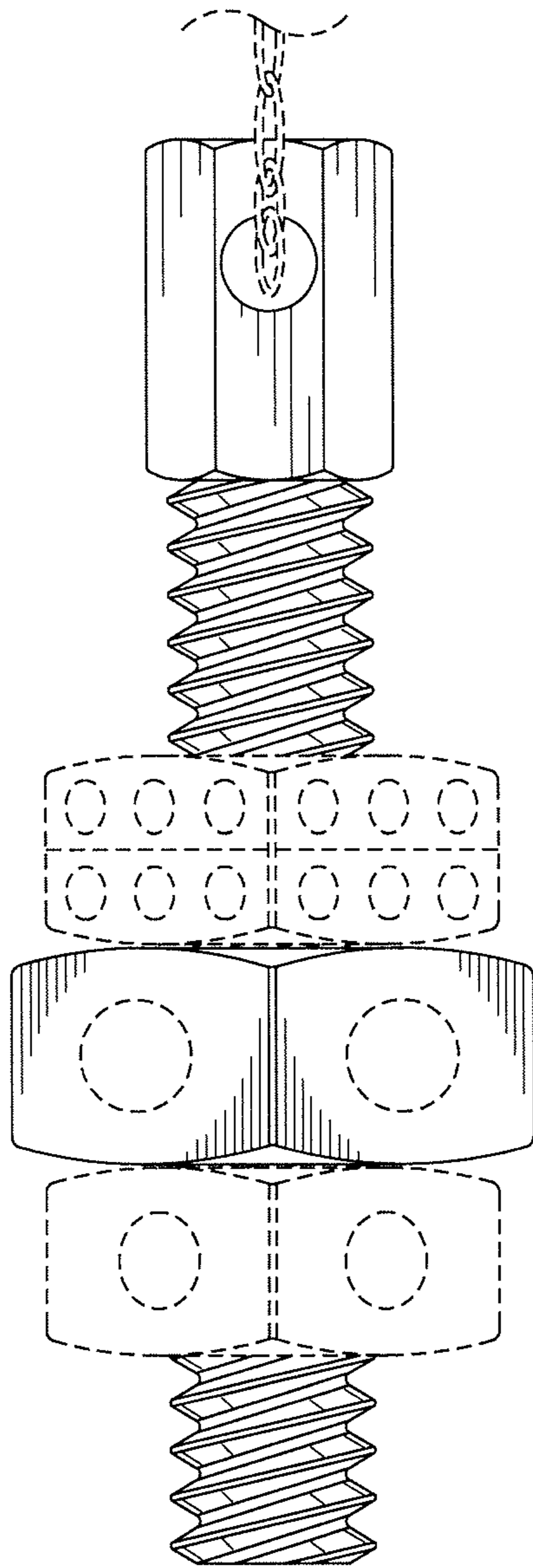


FIG. 5

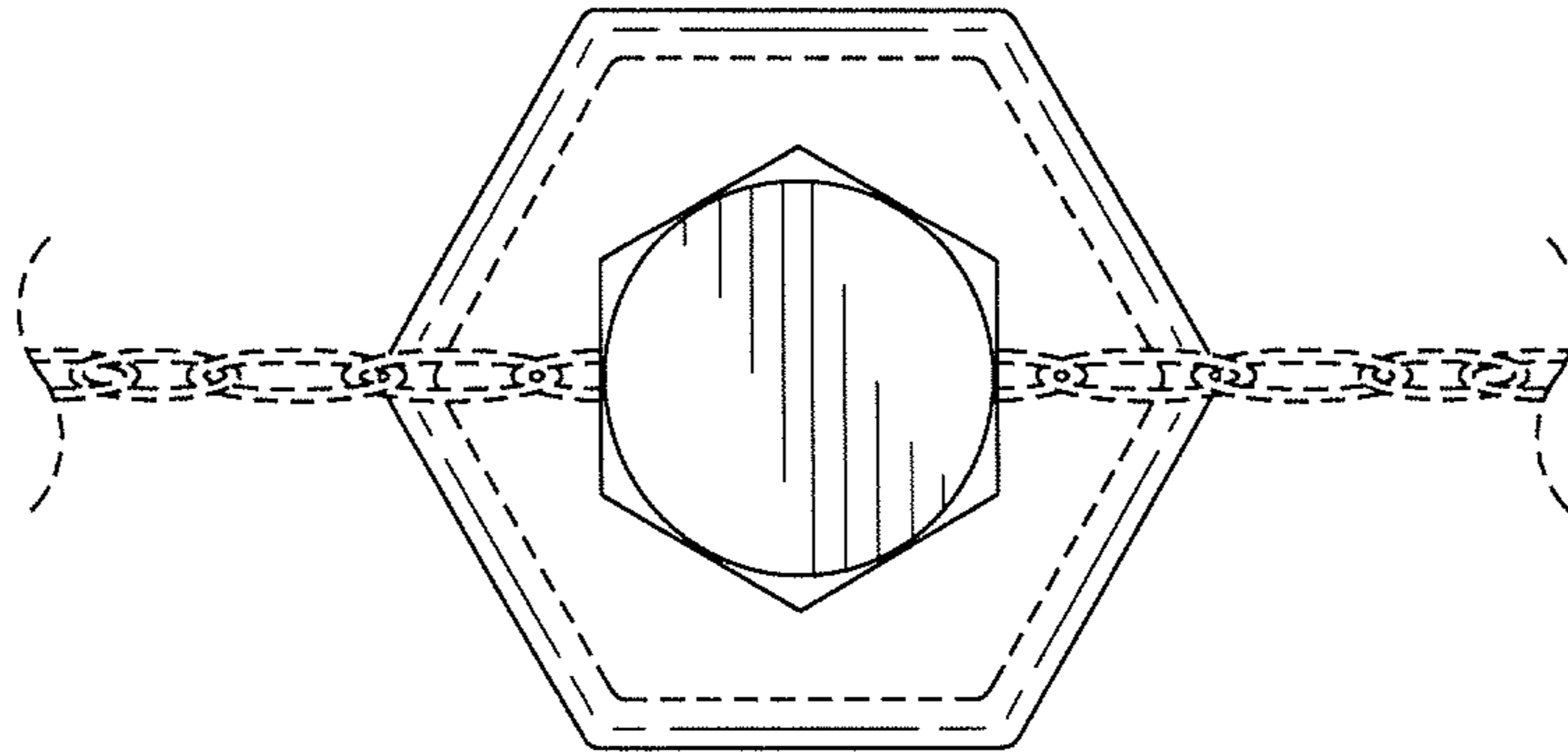


FIG. 6

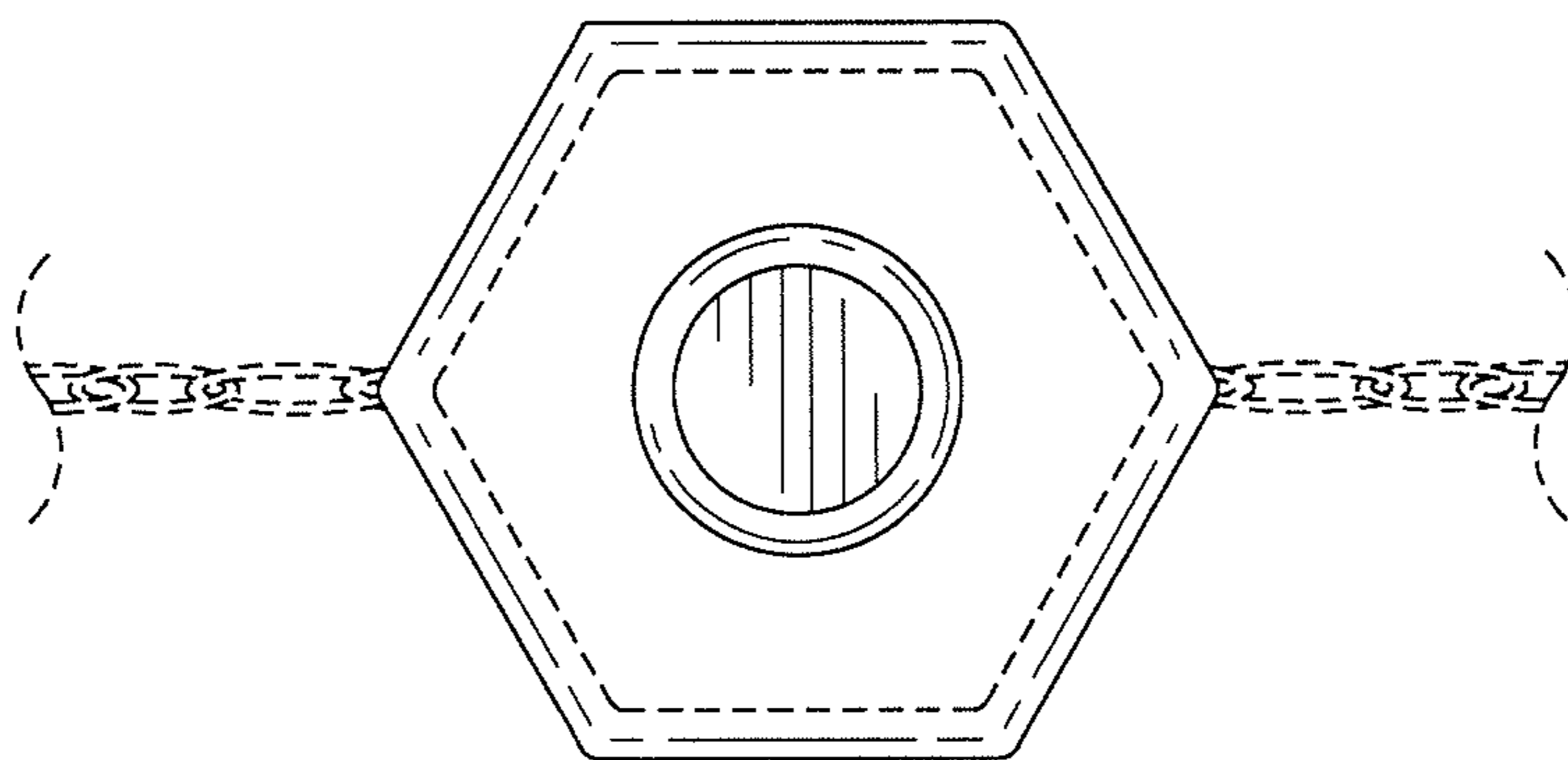


FIG. 7

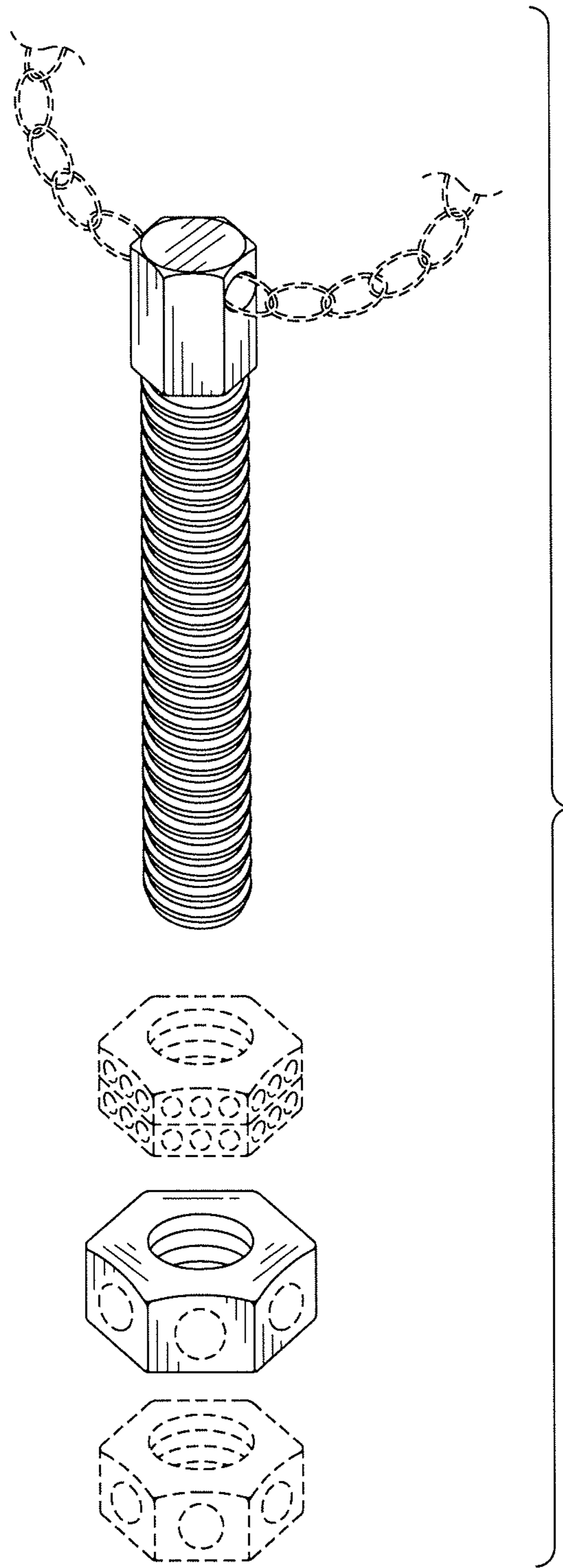


FIG. 8