



US00D825371S

(12) **United States Design Patent** (10) **Patent No.:** **US D825,371 S**  
**Bonner** (45) **Date of Patent:** **\*\* Aug. 14, 2018**

(54) **JEWELRY PRODUCT**

(71) Applicant: **Robert Jason Bonner**, Miramar, FL  
(US)

(72) Inventor: **Robert Jason Bonner**, Miramar, FL  
(US)

(73) Assignee: **National Chain Company**, Warwick,  
RI (US)

(\*\*) Term: **15 Years**

(21) Appl. No.: **29/626,331**

(22) Filed: **Nov. 16, 2017**

**Related U.S. Application Data**

(62) Division of application No. 29/542,867, filed on Oct.  
19, 2015, now Pat. No. Des. 804,982.

(51) **LOC (11) Cl.** ..... **11-01**

(52) **U.S. Cl.**  
USPC ..... **D11/79**

(58) **Field of Classification Search**  
USPC ..... D11/1-25, 40-48, 79-87, 93, 94, 151;  
D8/387; D23/243, 250, 245, 235, 262  
CPC .... A44C 1/00; A44C 3/00; A44C 5/00; A44C  
7/00; A44C 7/002; A44C 7/003; A44C  
7/004; A44C 11/00; A44C 11/007; A44C  
13/00; A44C 15/001; A44C 15/005; A44C  
15/0055; A44C 25/00; A44C 25/001;  
A44C 25/007; A44C 25/008  
See application file for complete search history.

(56) **References Cited**

**U.S. PATENT DOCUMENTS**

D130,442 S \* 11/1941 Goodman ..... D11/87  
D135,661 S \* 5/1943 Krauter ..... D8/387  
D252,452 S \* 7/1979 Fermahin ..... D11/81  
D260,103 S \* 8/1981 Appel ..... D11/157

D267,627 S \* 1/1983 Hultin ..... D8/387  
D306,835 S \* 3/1990 Johnson ..... D11/79  
D325,226 S \* 4/1992 Bryen ..... D21/478  
D333,179 S \* 2/1993 Mikiya ..... D23/262  
D365,040 S \* 12/1995 Whitman ..... D11/131  
D451,426 S \* 12/2001 Fitzpatrick ..... D11/81  
D620,084 S \* 7/2010 Talamantez ..... D23/262  
D737,170 S \* 8/2015 Lafond ..... D11/87  
D753,477 S \* 4/2016 Jackson ..... D8/387  
D779,046 S \* 2/2017 Tansey, Jr. .... D23/262  
D787,979 S \* 5/2017 Bonner  
D792,201 S \* 7/2017 Baiz ..... D8/387  
9,756,909 B1 9/2017 Bonner

(Continued)

**OTHER PUBLICATIONS**

[Online] <https://lucypriestjewellery.com/shop/gold-plated-nut-and-bolt-necklace>. Retrieved May 24, 2018.\*

(Continued)

*Primary Examiner* — Melanie Pellegrini

(74) *Attorney, Agent, or Firm* — Salter & Michaelson

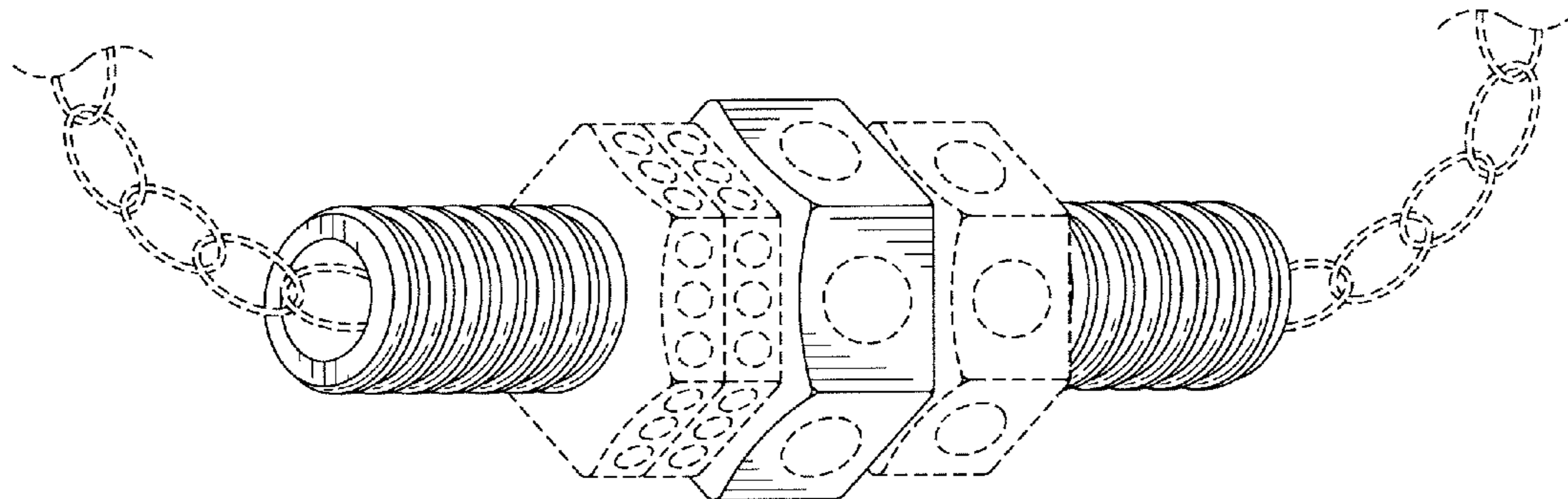
(57) **CLAIM**

The ornamental design for a jewelry product, as shown and described.

**DESCRIPTION**

FIG. 1 is a perspective view of a jewelry product;  
FIG. 2 is a front elevational view thereof;  
FIG. 3 is a rear elevational view thereof;  
FIG. 4 is a top plan view thereof;  
FIG. 5 is a bottom plan view thereof;  
FIG. 6 is a left side elevational view thereof;  
FIG. 7 is a right side elevational view thereof; and,  
FIG. 8 is an exploded perspective view.  
The broken lines shown in the drawing views are included for the purpose of showing environmental structure that forms no part of the claimed design.

**1 Claim, 7 Drawing Sheets**



(56)

**References Cited**

U.S. PATENT DOCUMENTS

D804,982 S \* 12/2017 Bonner ..... D11/79  
D804,983 S \* 12/2017 Bonner ..... D11/79

OTHER PUBLICATIONS

[Online] <https://www.infarrantlycreative.net/nuts-and-colored-bolts-necklace/>. Retrieved May 24, 2018. Posted online May 8, 2015.\*

\* cited by examiner

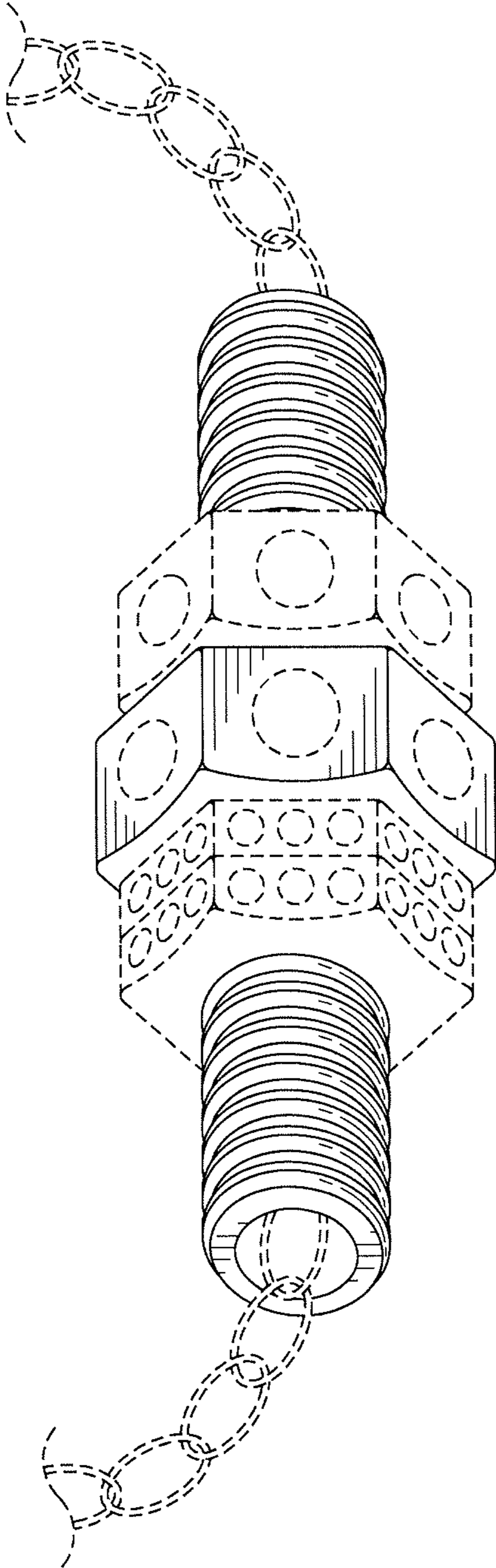


FIG. 1

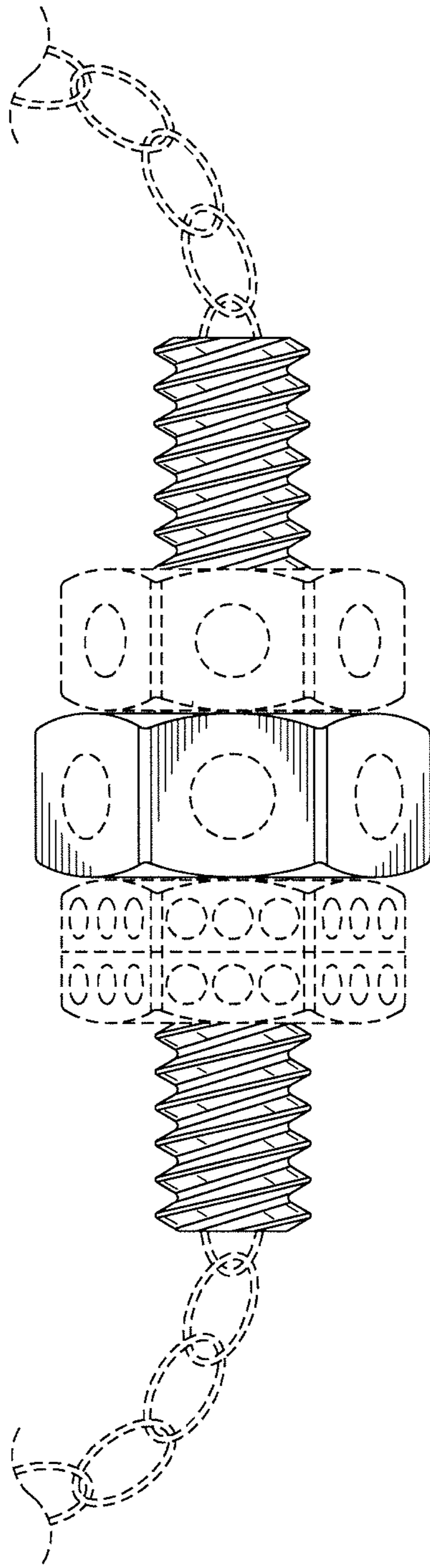


FIG. 2

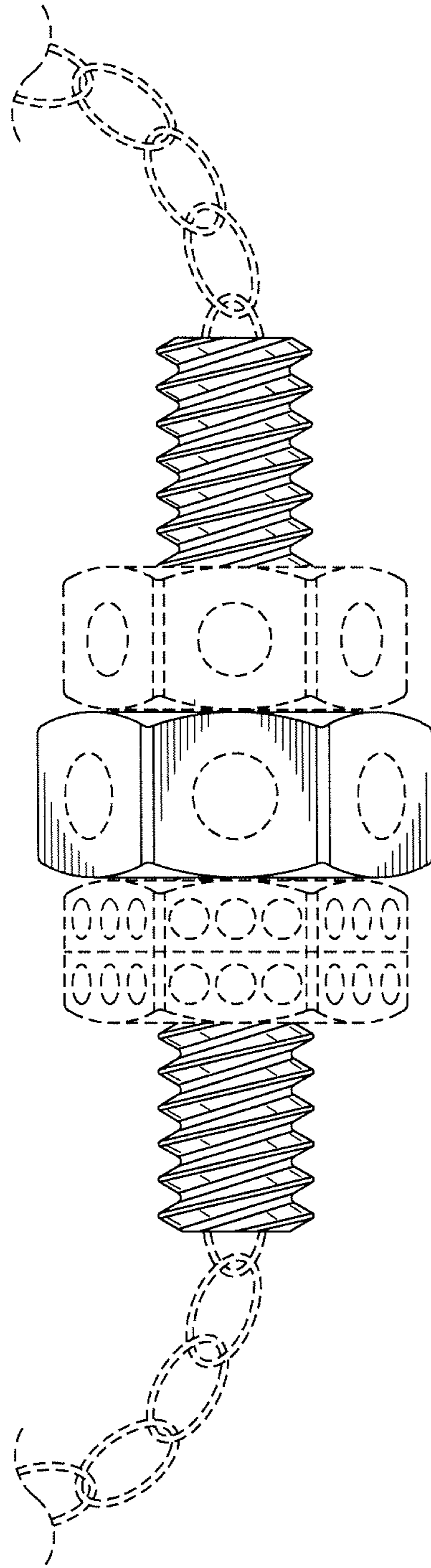


FIG. 3

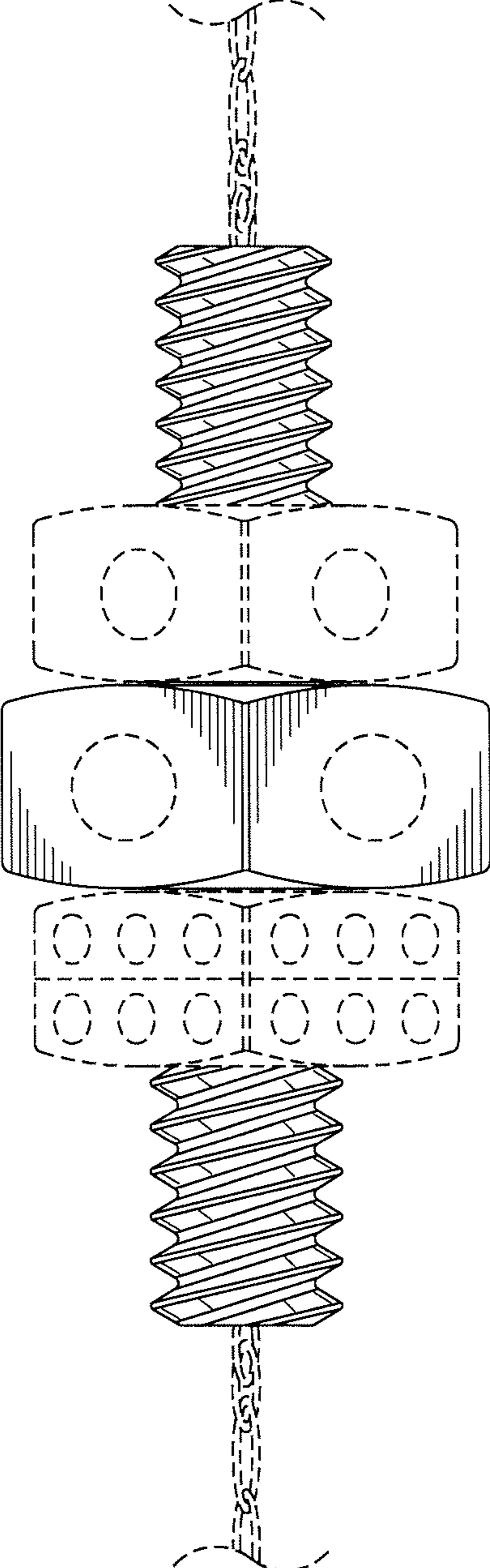


FIG. 4

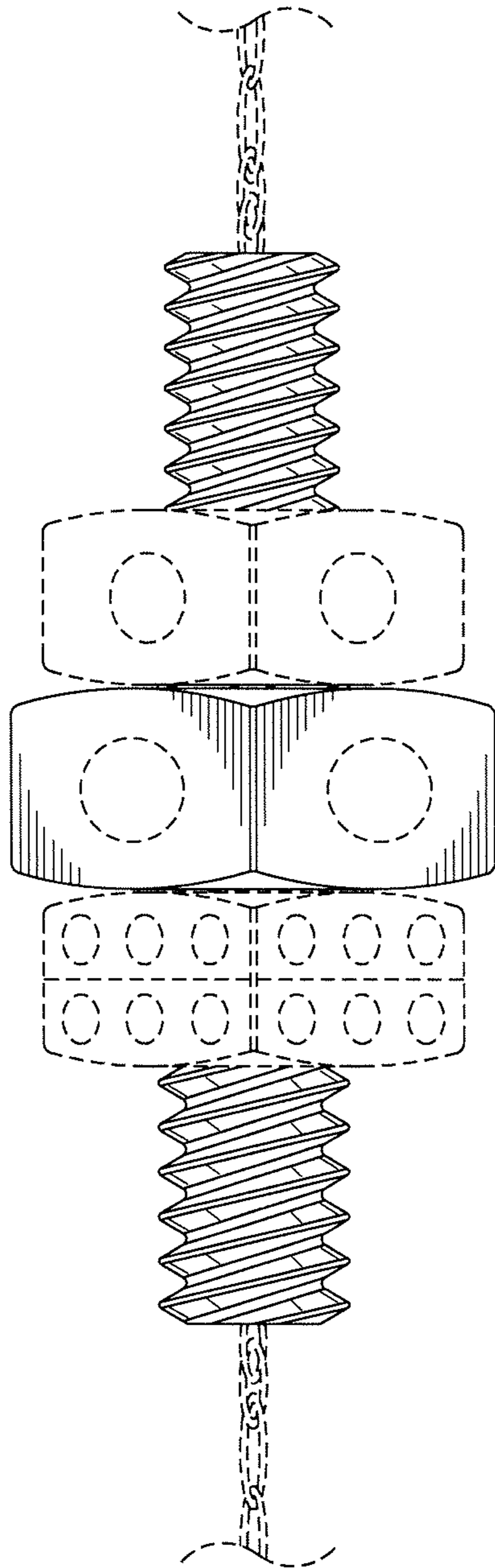


FIG. 5

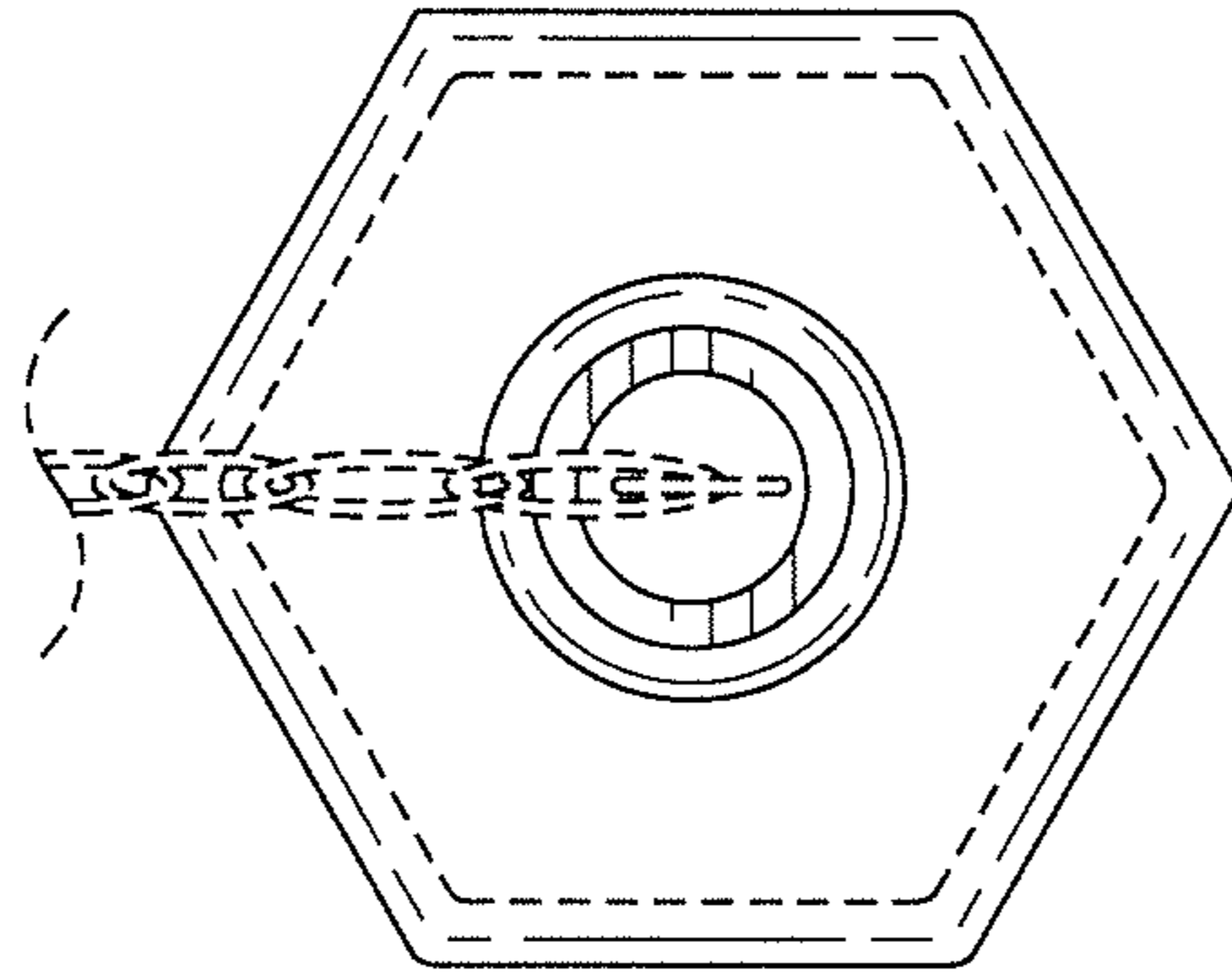


FIG. 7

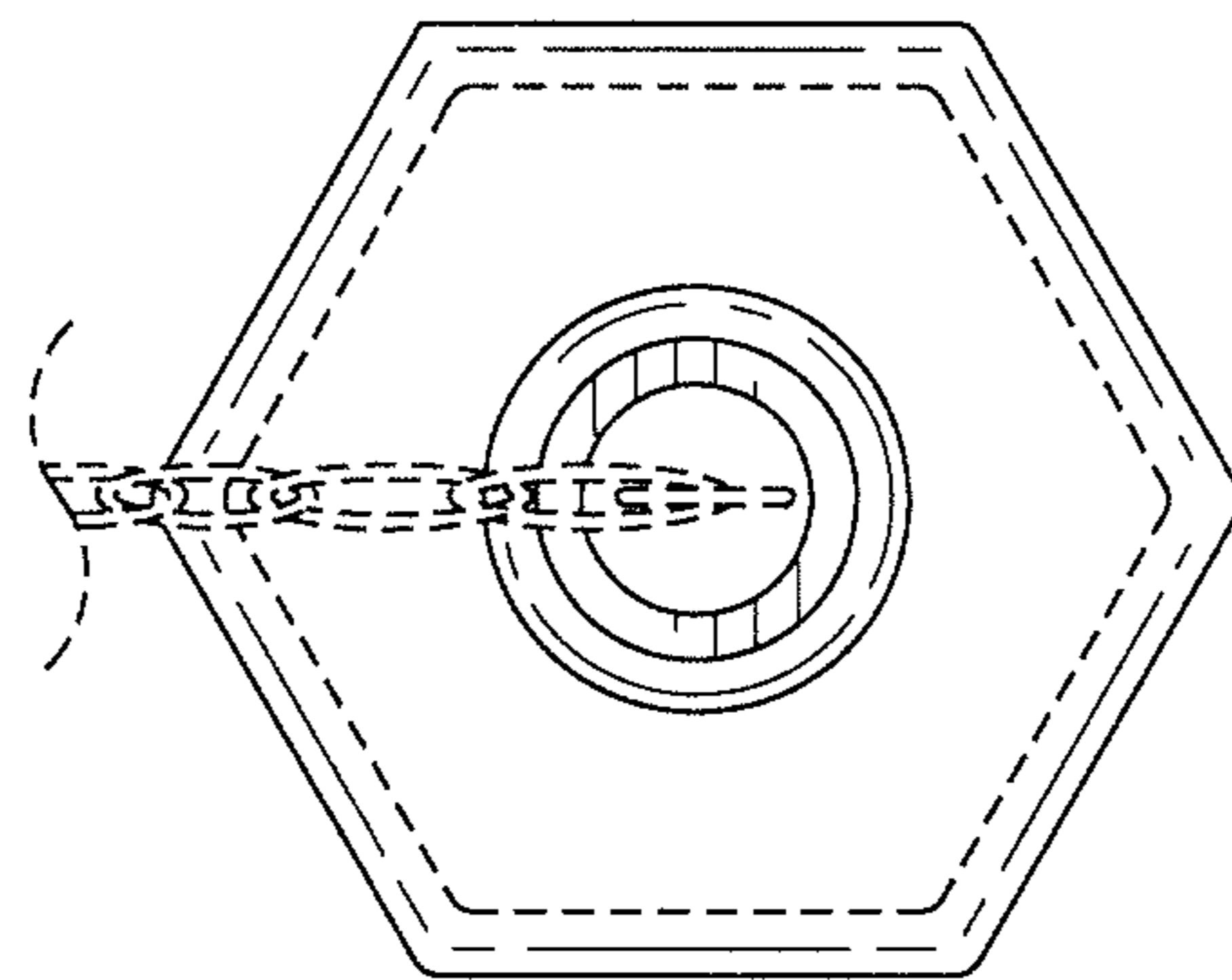


FIG. 6



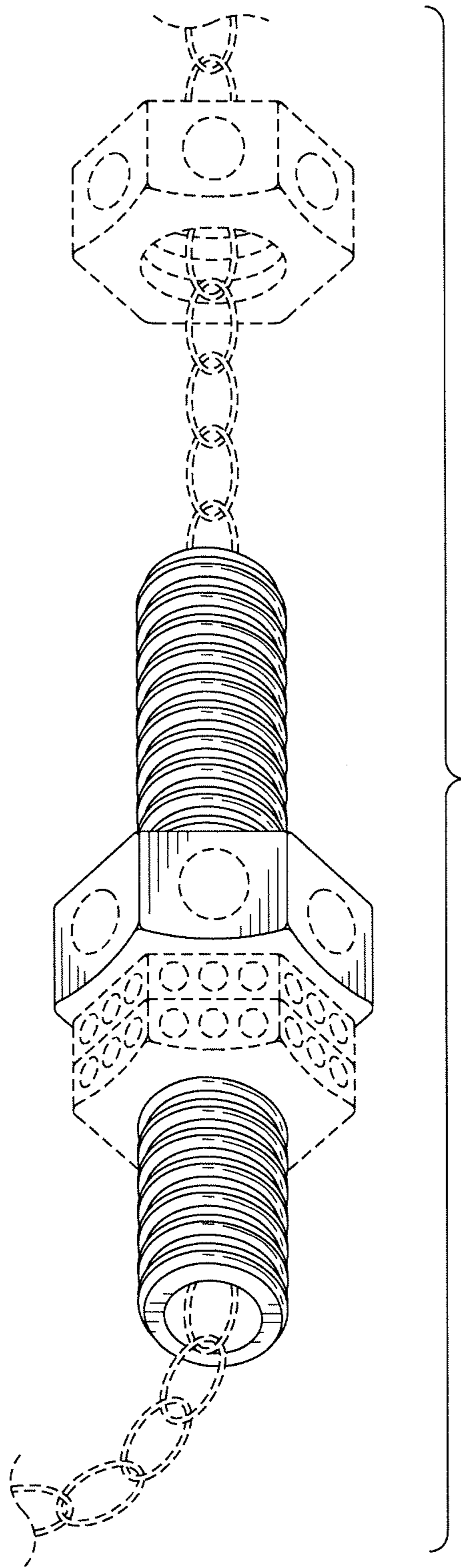


FIG. 8