

US00D825370S

(12) **United States Design Patent** (10) **Patent No.:** **US D825,370 S**
Bonner (45) **Date of Patent:** **** Aug. 14, 2018**

- (54) **JEWELRY PRODUCT** D61,921 S * 2/1923 Peters D11/35
 - (71) Applicant: **Robert Jason Bonner**, Miramar, FL D63,469 S * 12/1923 Lautz D11/35
(US) D64,332 S * 4/1924 Anshen D11/34
 - (72) Inventor: **Robert Jason Bonner**, Miramar, FL D65,543 S * 9/1924 Shimp D11/35
(US) 1,930,907 A * 10/1933 Pilblad A44C 17/02
63/15
 - (73) Assignee: **National Chain Company**, Warwick, D142,234 S * 8/1945 Sudbrink D11/26
RI (US) D152,486 S * 1/1949 Lorillard D11/2
 - (**) Term: **15 Years** D241,062 S * 8/1976 Poulin D11/26
 - (21) Appl. No.: **29/626,348** D245,489 S * 8/1977 Rimberg D11/26
 - (22) Filed: **Nov. 16, 2017** 4,052,864 A * 10/1977 Hofsaess A44C 17/0233
40/426
- (Continued)

Related U.S. Application Data

- (62) Division of application No. 29/542,870, filed on Oct. 19, 2015, now Pat. No. Des. 807,773.
- (51) **LOC (11) Cl.** **11-01**
- (52) **U.S. Cl.**
USPC **D11/26**
- (58) **Field of Classification Search**
USPC D11/1, 2, 7, 8, 26-39, 40-44, 79-86, 91,
D11/92
CPC A44C 9/00; A44C 9/0007; A44C 9/0015;
A44C 9/0023; A44C 9/003; A44C
9/0038; A44C 9/0046; A44C 9/0053;
A44C 9/0061; A44C 9/0069; A44C
9/0076; A44C 17/02; A44C 17/0208;
A44C 17/0216; A44C 17/0233; A44C
5/003; A44C 25/00; A44C 25/001; A44C
25/002; A44C 25/007
See application file for complete search history.

References Cited

U.S. PATENT DOCUMENTS

- D53,535 S * 7/1919 Schless D11/34
- 1,330,617 A * 2/1920 Altschul A44C 9/00
63/15

OTHER PUBLICATIONS

[Online] <https://christopherduquet.com/the-poison-ring/>. Retrieved May 24, 2018.*

Primary Examiner — Melanie Pellegrini
(74) *Attorney, Agent, or Firm* — Salter & Michaelson

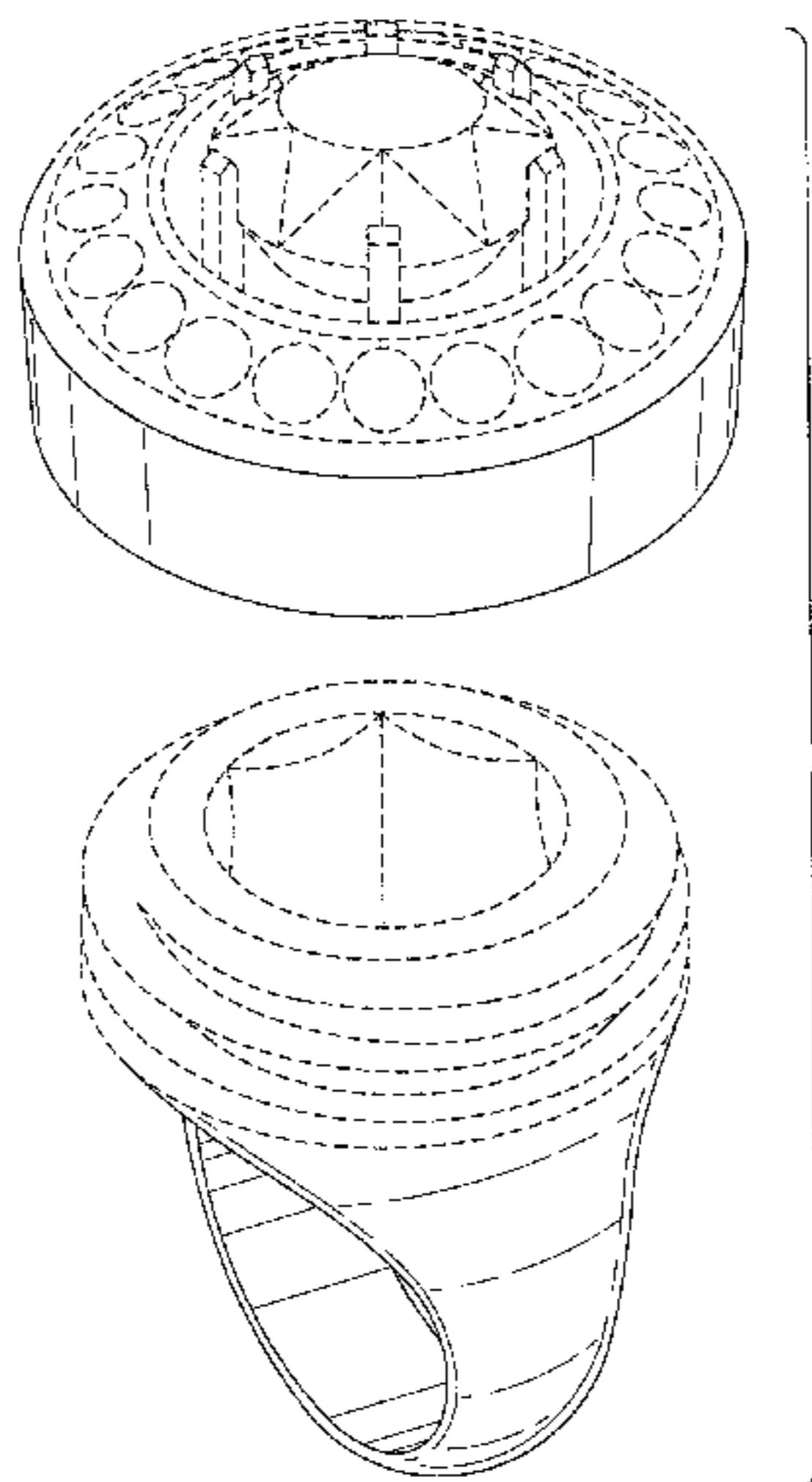
CLAIM

(57) The ornamental design for a jewelry product, as shown and described.

DESCRIPTION

FIG. 1 is a perspective view of a jewelry product;
FIG. 2 is a front elevational view thereof;
FIG. 3 is a rear elevational view thereof;
FIG. 4 is a left side elevational view thereof;
FIG. 5 is a right side elevational view thereof;
FIG. 6 is a top plan view thereof;
FIG. 7 is a bottom plan view thereof; and,
FIG. 8 is an exploded perspective view.
The broken lines shown in the drawings illustrate portions of the jewelry product that form no part of the claimed design.

1 Claim, 5 Drawing Sheets



(56)

References Cited

U.S. PATENT DOCUMENTS

D684,880 S * 6/2013 Matysik D11/26
D787,979 S 5/2017 Bonner
9,756,909 B1 9/2017 Bonner
D807,773 S * 1/2018 Bonner D11/26
2008/0289363 A1* 11/2008 Langford A44C 9/00
63/1.16
2011/0132036 A1* 6/2011 Meltzer A44C 17/0233
63/29.1
2014/0102136 A1* 4/2014 Warren A44C 17/0233
63/1.14
2017/0020247 A1* 1/2017 Petrosyan A44C 17/0233
2017/0068437 A1* 3/2017 Warren G06F 3/04883

* cited by examiner

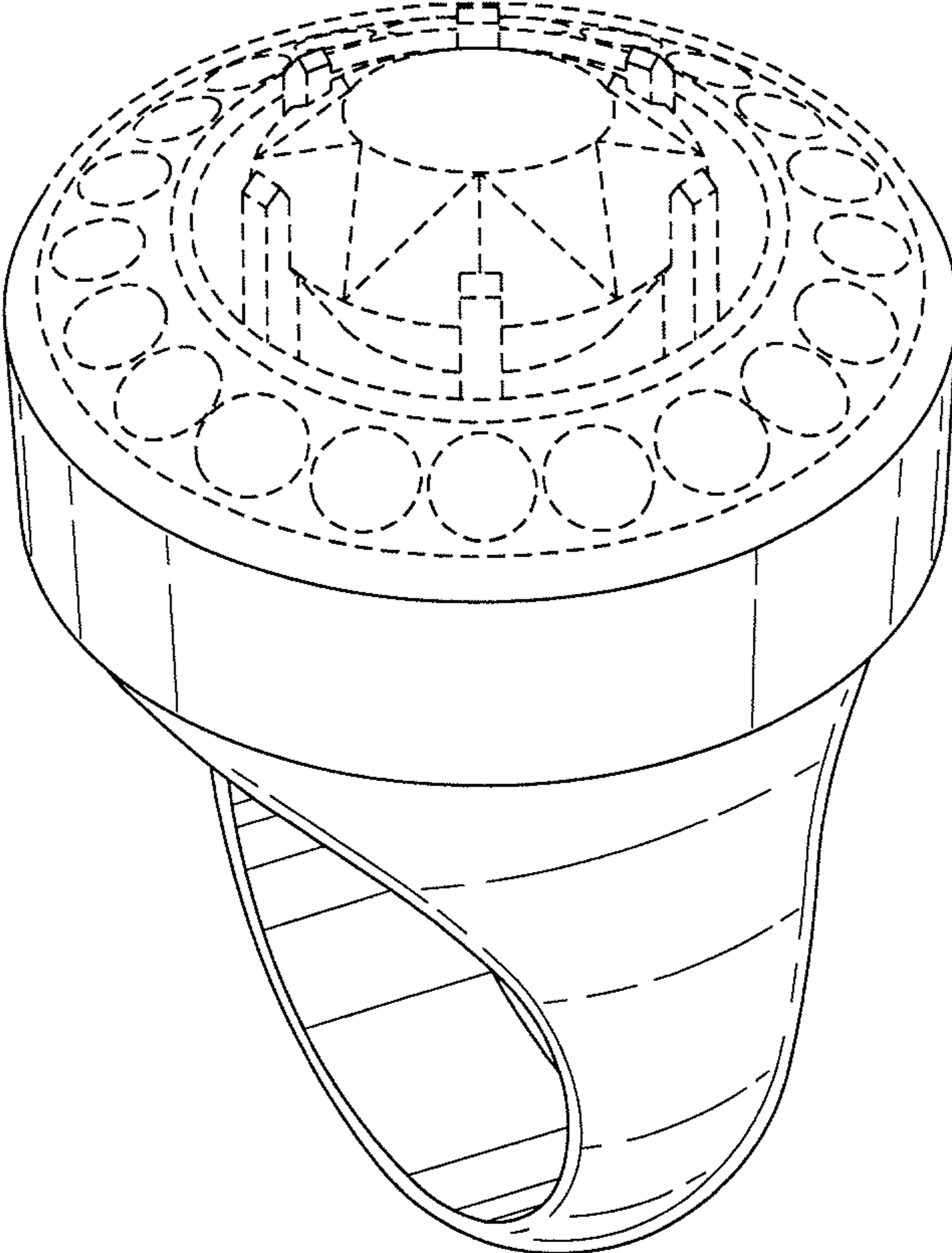


FIG. 1

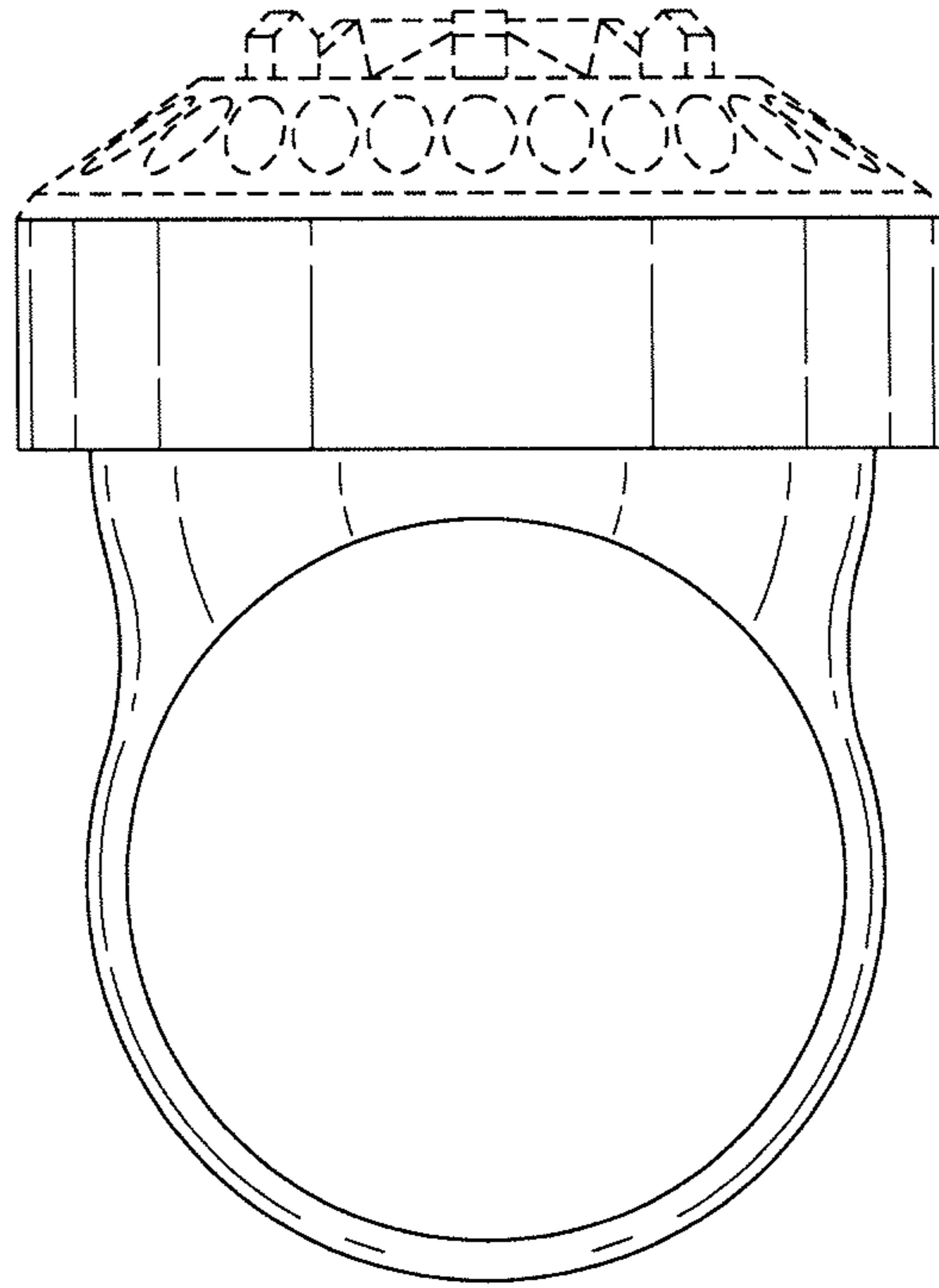


FIG. 2

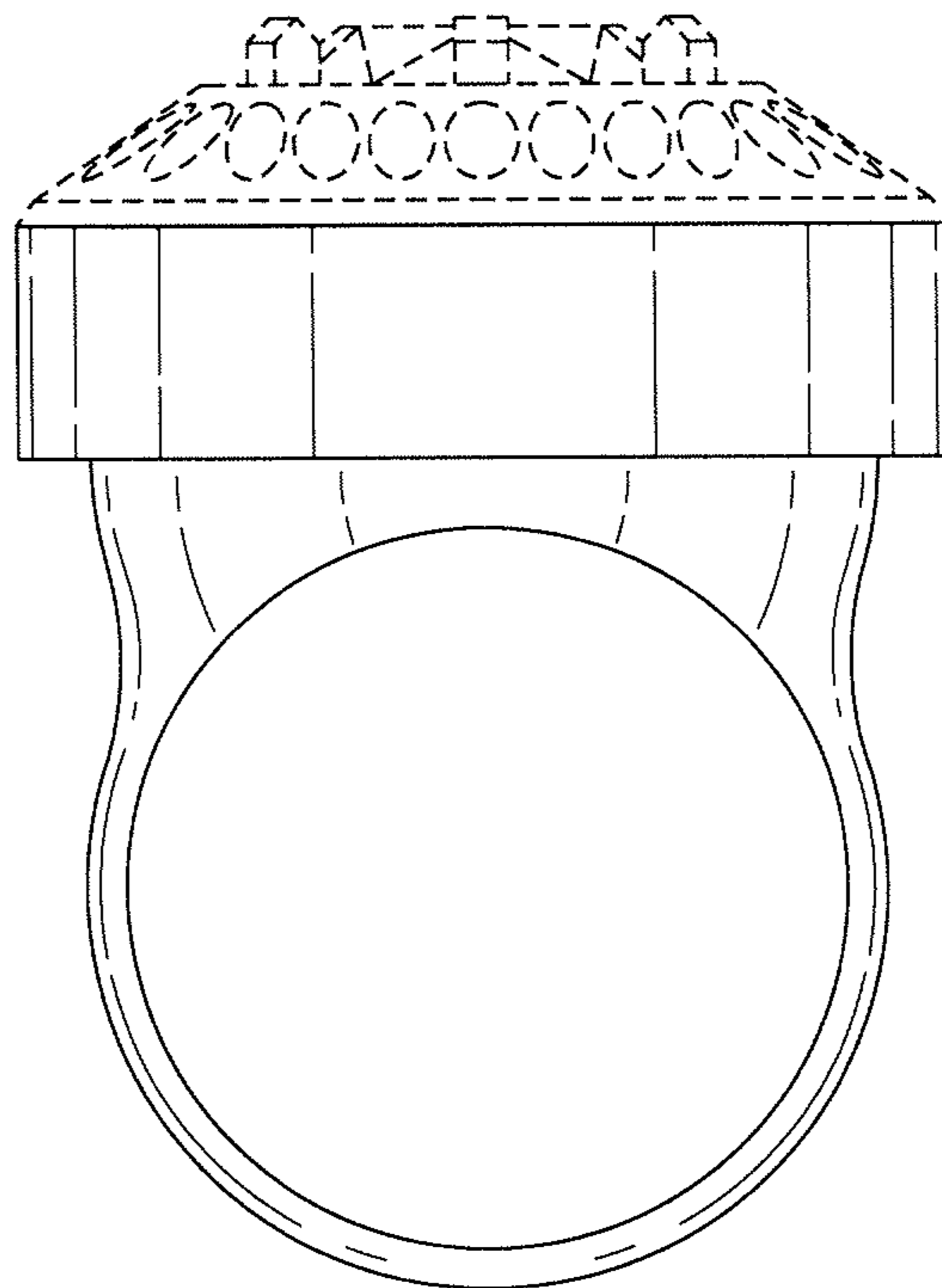


FIG. 3

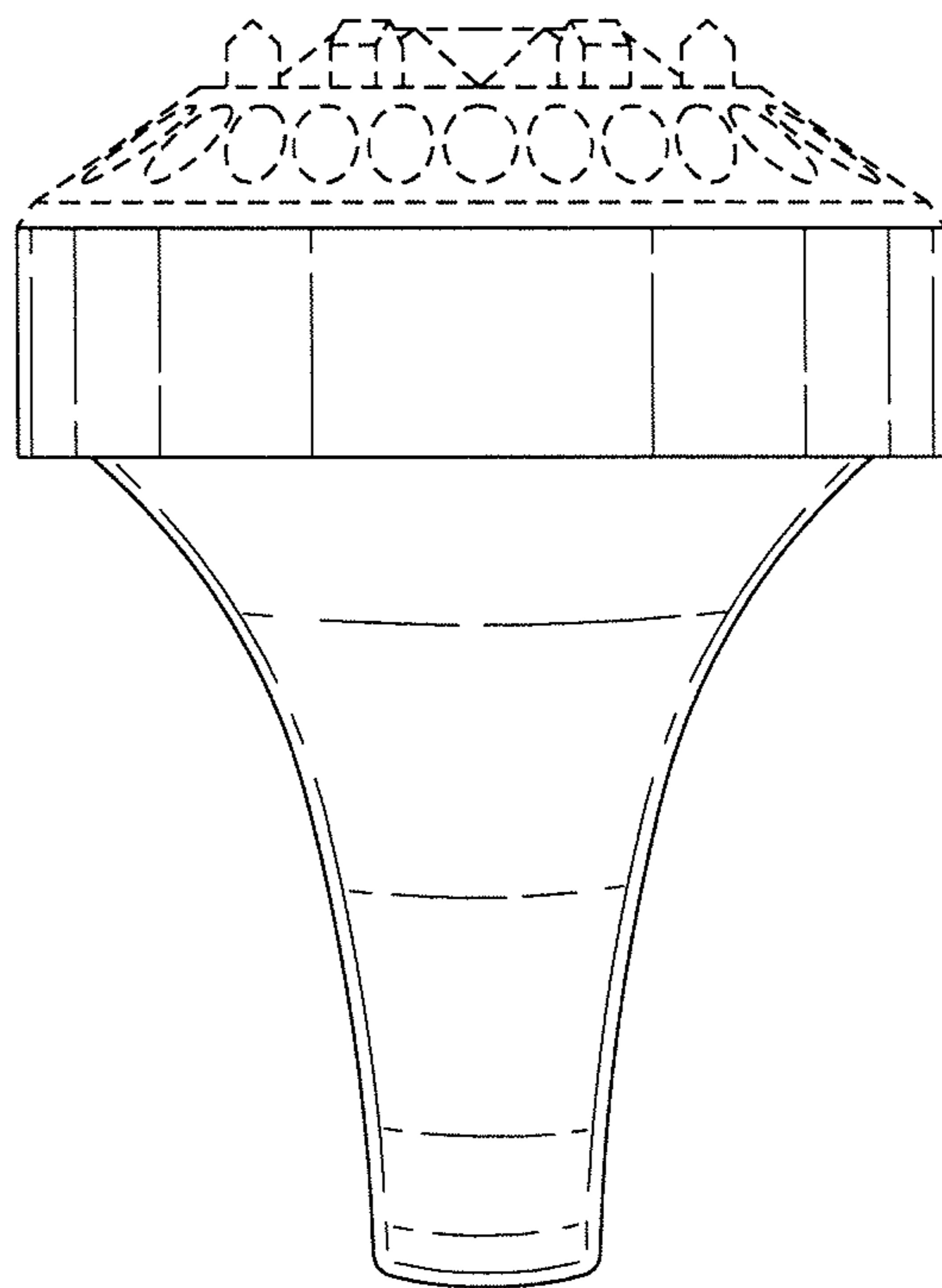


FIG. 4

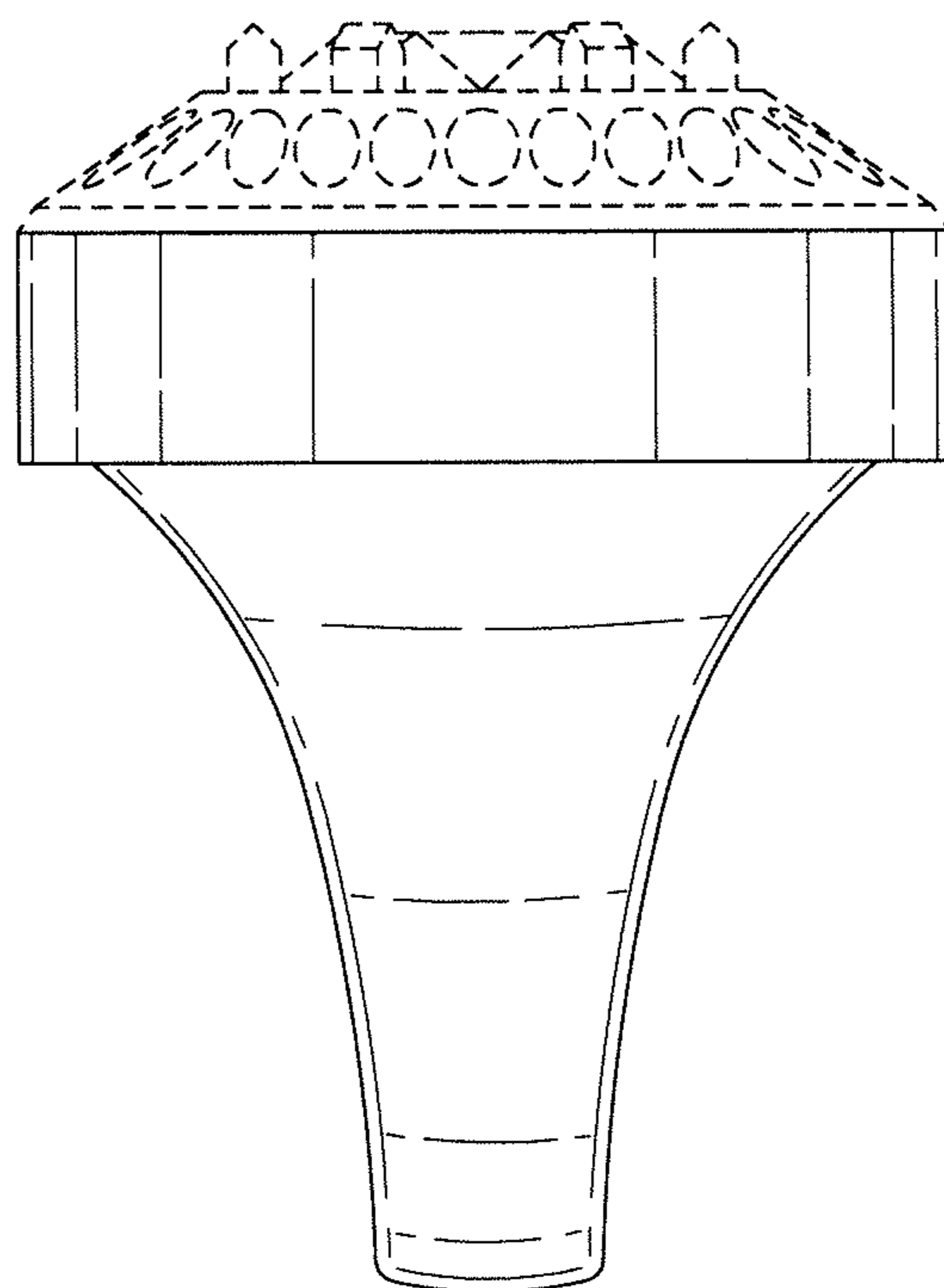


FIG. 5

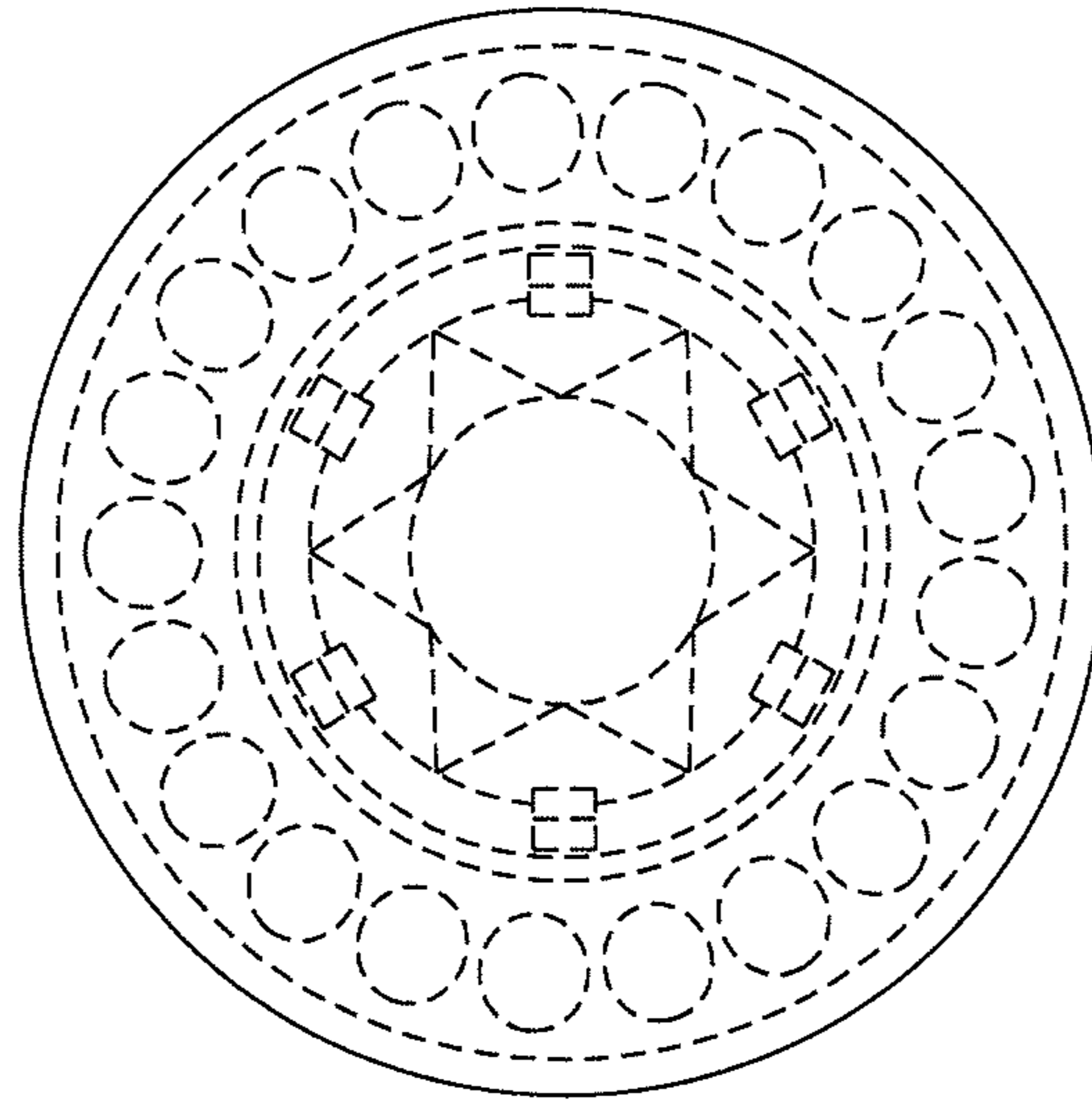


FIG. 6

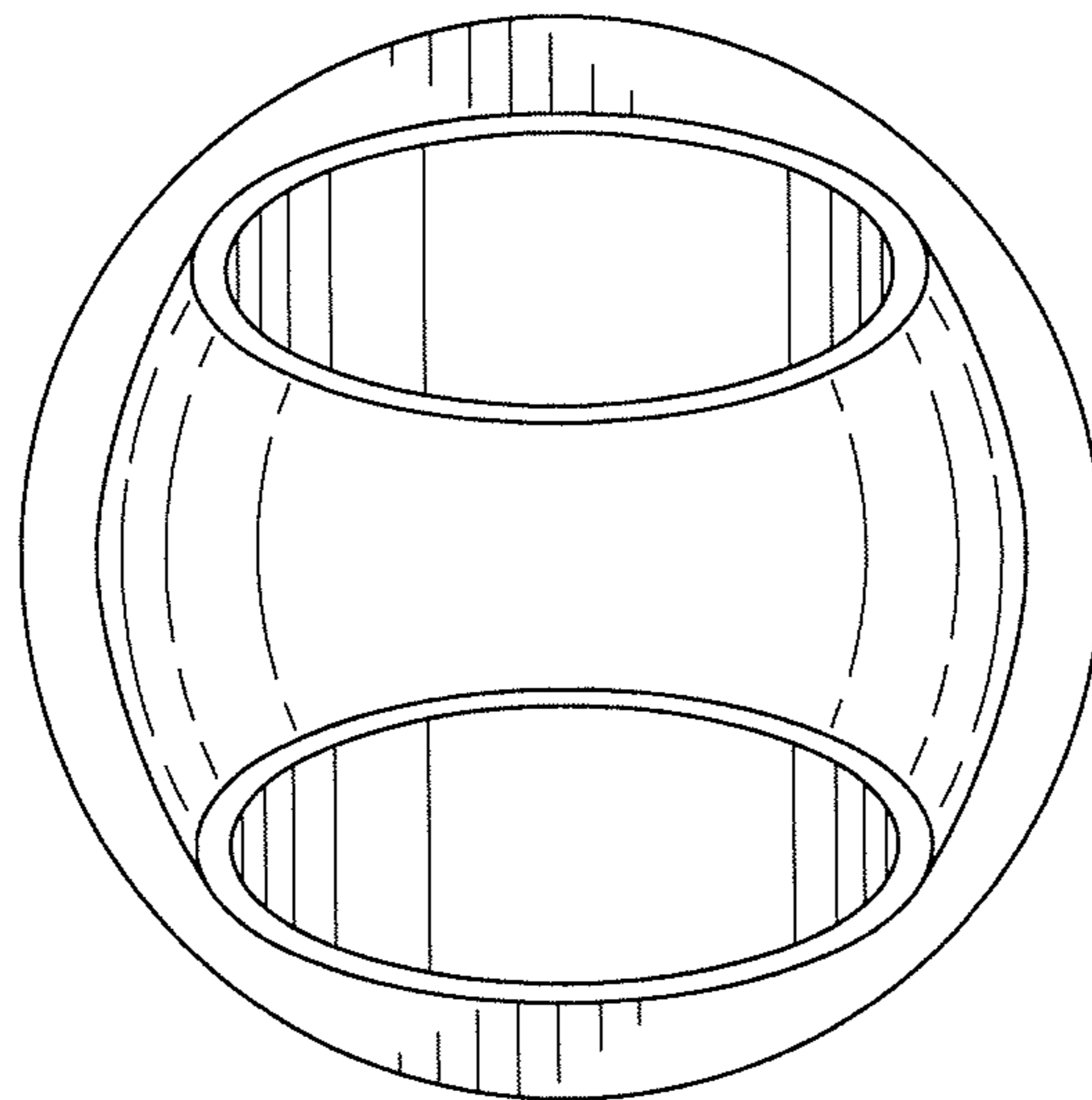


FIG. 7

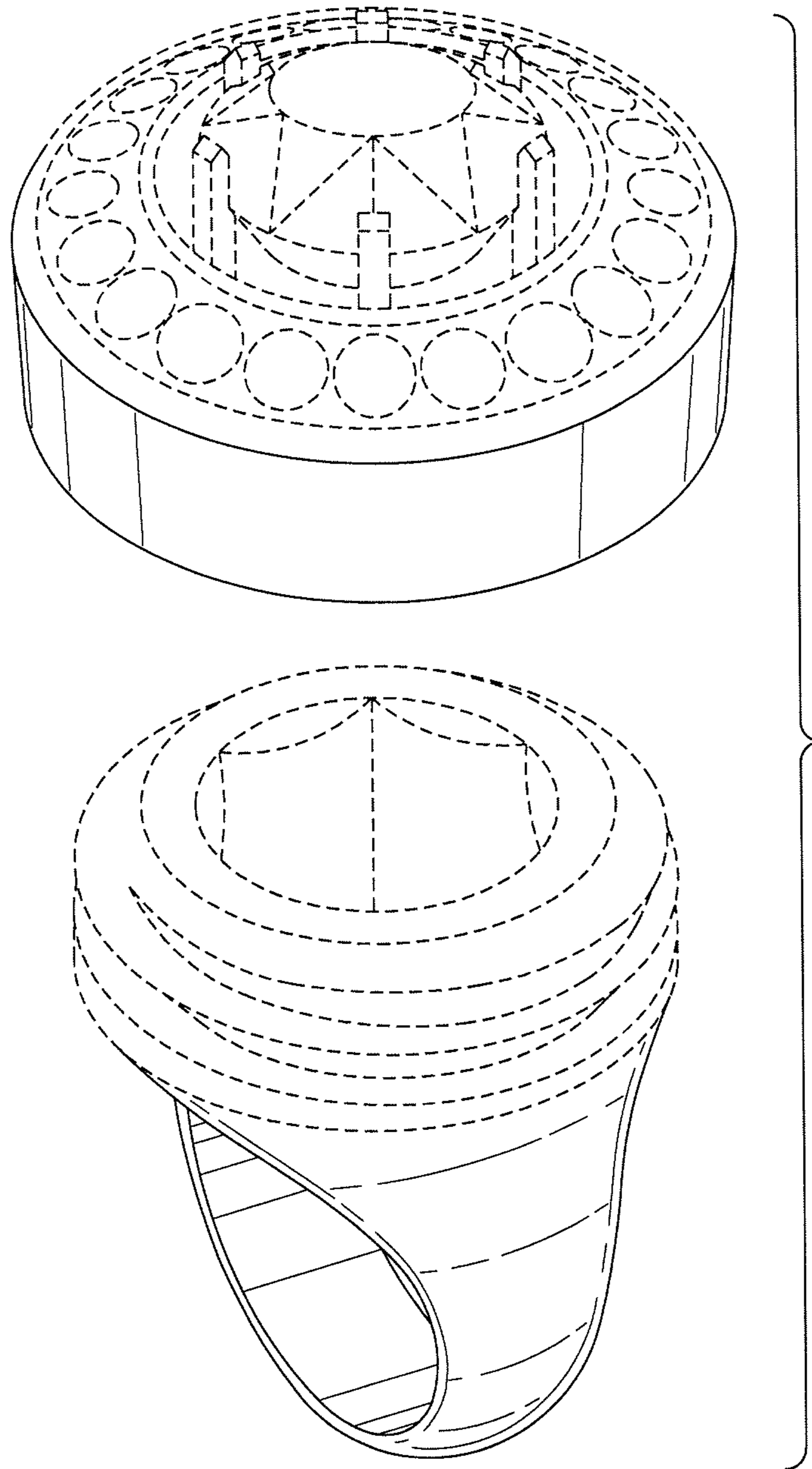


FIG. 8