



US00D825368S

(12) **United States Design Patent** (10) **Patent No.:** **US D825,368 S**
Kuo (45) **Date of Patent:** **** Aug. 14, 2018**

(54) **ALARM LIGHT COVER**
(71) Applicant: **LUMINOUS STAR TECHNOLOGY LTD.**, Tainan (TW)
(72) Inventor: **Tzu-Fan Kuo**, Tainan (TW)
(73) Assignee: **Luminous Star Technology Ltd.**, Tainan (TW)
(**) Term: **15 Years**

D457,975 S * 5/2002 Horowitz D26/28
D464,748 S * 10/2002 Horowitz D26/28
D467,019 S * 12/2002 Horowitz D26/28
D467,370 S * 12/2002 Horowitz D26/28
D468,036 S * 12/2002 Horowitz D26/28
D468,849 S * 1/2003 Yang D26/28
D470,259 S * 2/2003 Horowitz D26/28
D470,955 S * 2/2003 Yang D26/28
D472,996 S * 4/2003 Horowitz D26/28
D483,505 S * 12/2003 Schwerdtmann D26/28
D492,047 S * 6/2004 Dohogne D26/28
D578,492 S * 10/2008 Xu D13/180
D627,247 S * 11/2010 Shin D10/114.4

(Continued)

(21) Appl. No.: **29/546,739**

(22) Filed: **Nov. 25, 2015**

(51) **LOC (11) Cl.** **10-05**

(52) **U.S. Cl.**
USPC **D10/114.1**

(58) **Field of Classification Search**
USPC D10/104.1, 104.2, 105, 106.1, 106.2,
D10/106.3, 106.4, 106.5, 106.6, 106.7,
D10/106.8, 106.9, 106.91, 106.92, 106.93,
D10/106.94, 106.95, 107, 108, 109.1,
D10/109.2, 110, 111, 112, 113.1, 113.2,
D10/113.3, 113.4, 114.1, 114.2, 114.3,
D10/114.4, 114.5, 114.6, 114.7, 114.8,
D10/114.9, 115, 116.1, 117, 118, 118.1,
D10/118.2, 119.1, 119.2, 119.3, 119.4,
D10/120, 121; D26/28, 29, 30, 31, 32,
D26/33, 34, 35, 36, 89, 120; 362/475,
362/476, 477, 478, 485-487
CPC .. F21S 41/00; F21S 43/00; F21S 43/16; F21S
43/20; F21S 45/20; G08B 1/00
See application file for complete search history.

(56) **References Cited**

U.S. PATENT DOCUMENTS

D242,907 S * 1/1977 Blaylock D10/114.1
D400,459 S * 11/1998 Menke D10/114.1
D443,655 S * 6/2001 Chaikel D20/27
D457,457 S * 5/2002 Povey G08B 5/38
D10/114.1

OTHER PUBLICATIONS

“NPL 1,” available May 31, 2018, [online], [site visited May 31, 2018]. Available from Internet, <URL:http://www.luminousstar.com/product-4LEDs-lighthouse-L5-SL41T(R10)LS-SL41R.html> (Year: 2018).*

(Continued)

Primary Examiner — Cathron C Brooks
Assistant Examiner — Katrina N Gonzalez
(74) *Attorney, Agent, or Firm* — Rosenberg, Klein & Lee

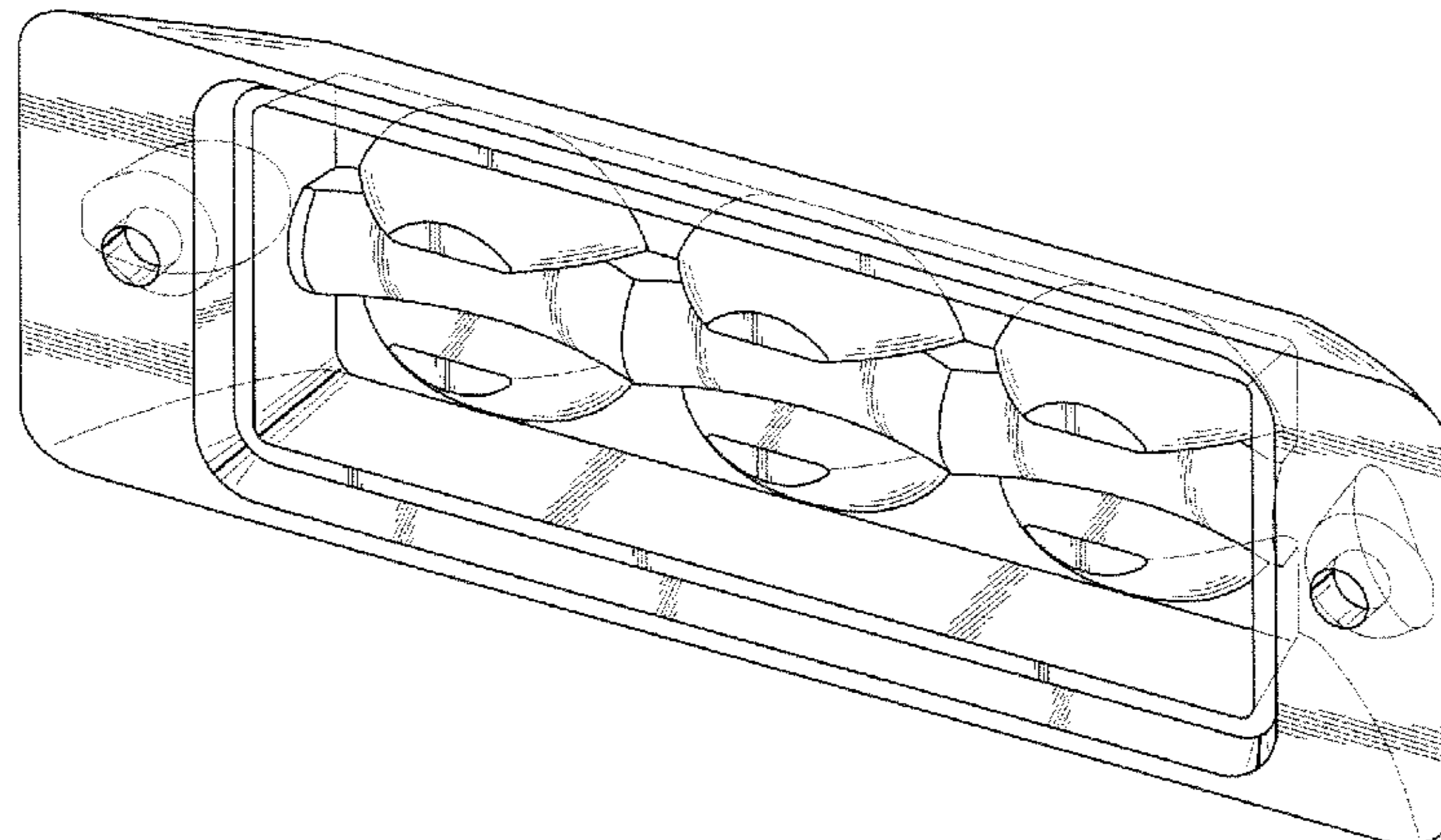
(57) **CLAIM**

The ornamental design for an alarm light cover, as shown and described.

DESCRIPTION

FIG. 1 is a perspective view of an alarm light cover my new design;
FIG. 2 is a front elevational view thereof;
FIG. 3 is a rear elevational view thereof;
FIG. 4 is a left side elevational view thereof;
FIG. 5 is a right side elevational view thereof;
FIG. 6 is a top plan view thereof; and,
FIG. 7 is a bottom plan view thereof.

1 Claim, 7 Drawing Sheets



(56)

References Cited

U.S. PATENT DOCUMENTS

D677,422 S * 3/2013 Lin D26/120
 D709,221 S * 7/2014 Tsai D26/28
 D737,713 S * 9/2015 Deyaf D10/114.4
 D778,365 S * 2/2017 Kott D20/43
 D788,335 S * 5/2017 Tsai D26/28
 D788,955 S * 6/2017 Yu D26/28
 D793,891 S * 8/2017 Deyaf D10/114.4
 D795,114 S * 8/2017 Deyaf D10/114.4
 D796,710 S * 9/2017 Deyaf D26/28
 D797,327 S * 9/2017 Deyaf D26/28
 D813,073 S * 3/2018 Kuo D10/114.1
 2003/0043590 A1 * 3/2003 Walser B60Q 1/2665
 362/494
 2007/0258257 A1 * 11/2007 Stein B60Q 1/2611
 362/493
 2009/0116257 A1 * 5/2009 Rosemeyer B60Q 1/2611
 362/493
 2010/0110660 A1 * 5/2010 Brukilacchio B60Q 1/2611
 362/84
 2015/0184809 A1 * 7/2015 Kuo F21V 5/04
 362/311.14

OTHER PUBLICATIONS

“NPL 2,” available May 31, 2018, [online], [site visited May 31, 2018]. Available from Internet, <URL:http://www.luminousstar.com/category-LED-Super-Slim-lighthouse-LEDSuperSlimlighthouse.html> (Year: 2018).*

“NPL 3,” available May 31, 2018, [online], [site visited May 31, 2018]. Available from Internet <URL:https://www.superbrightleds.com/moreinfo/emergency-strobe/low-profile-vehicle-led-mini-strobe-light-head-single-or-dual-color-18-watt/3458/7450/> (Year: 2018).*

“NPL 4,” available May 31, 2018, [online], [site visited May 31, 2018]. Available from Internet,<URL:https://www.diytrade.com/china/pd/18879873/3W_LED_Super_Slim_police_car_Surface_Mount_Strobe_Lighthouse_HF_160.html> (Year: 2018).*

“NPL 5,” available May 31, 2018, [online], [site visited May 31, 2018]. Available from Internet, <URL:https://www.ebay.com/itm/ECCO-3730C-Surface-Mount-Strobe-Directional-LED-Flasher-3700-Series-SAE-Class-II/141864131830> (Year: 2018).*

* cited by examiner

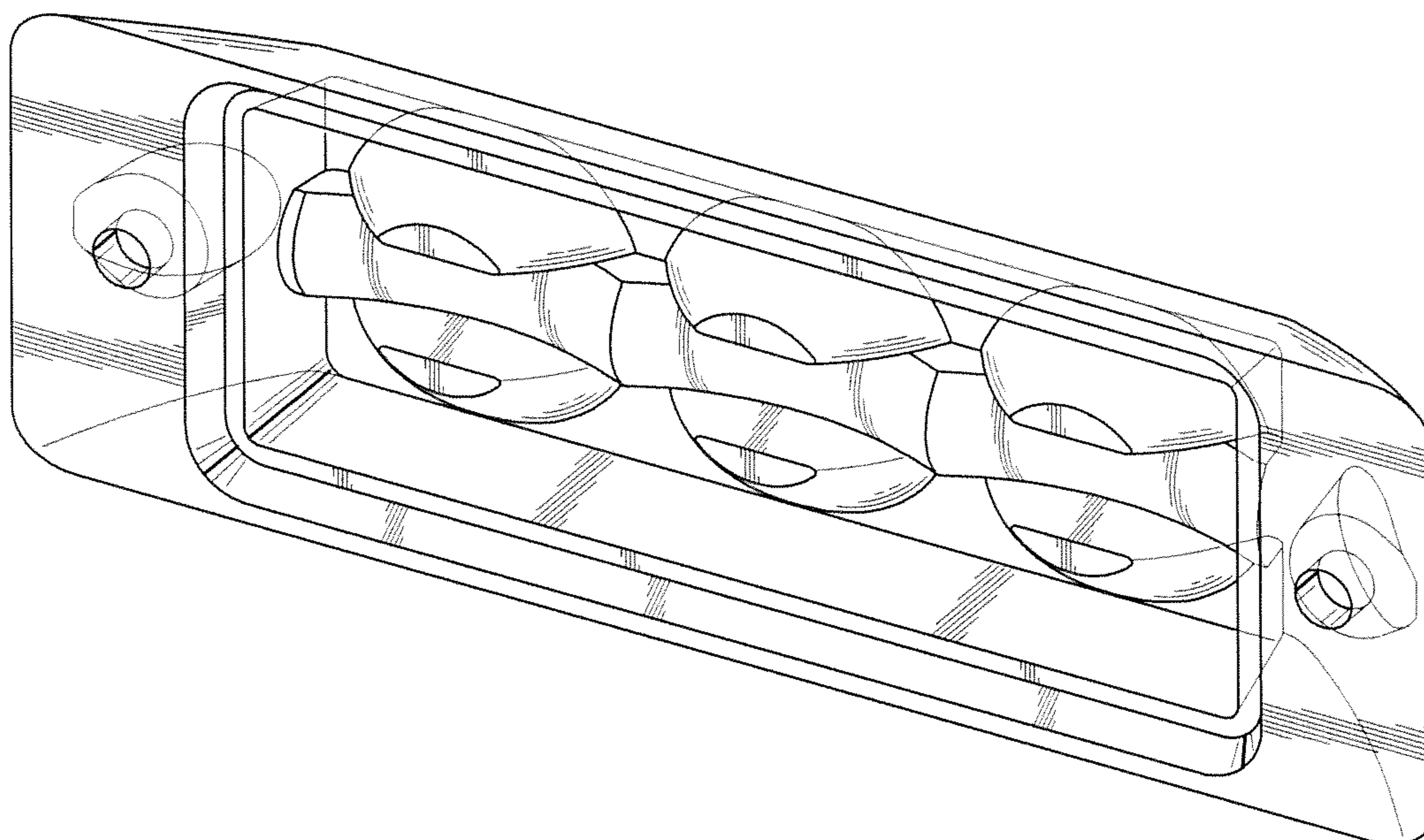


FIG. 1

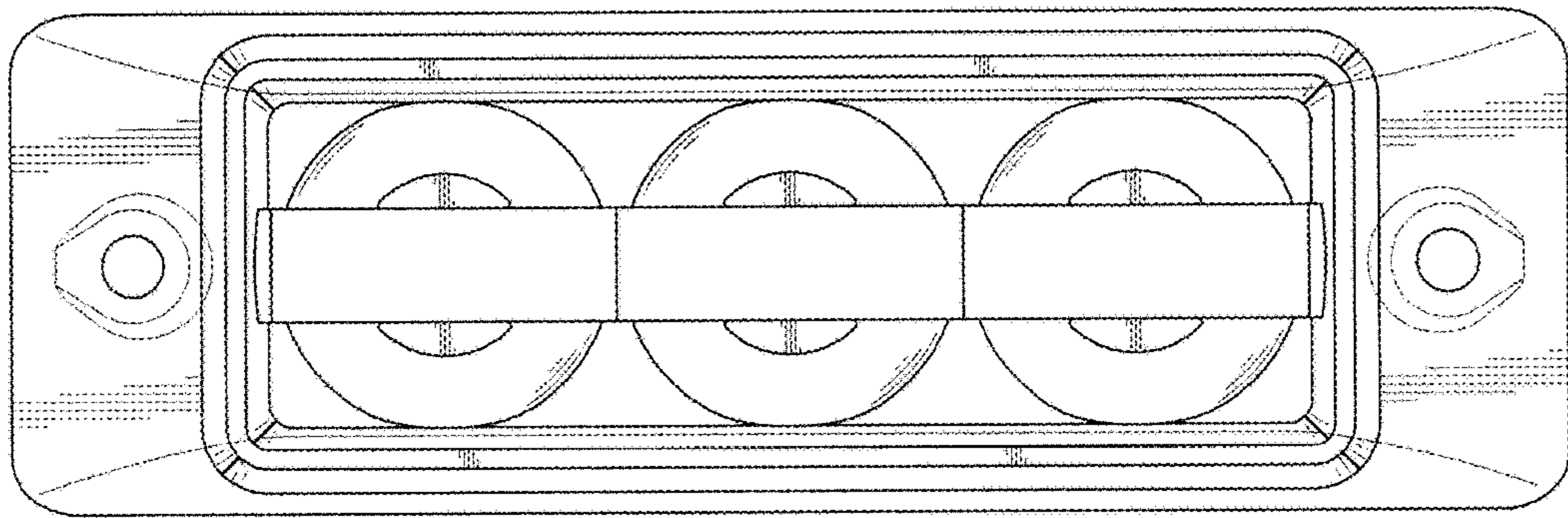


FIG. 2

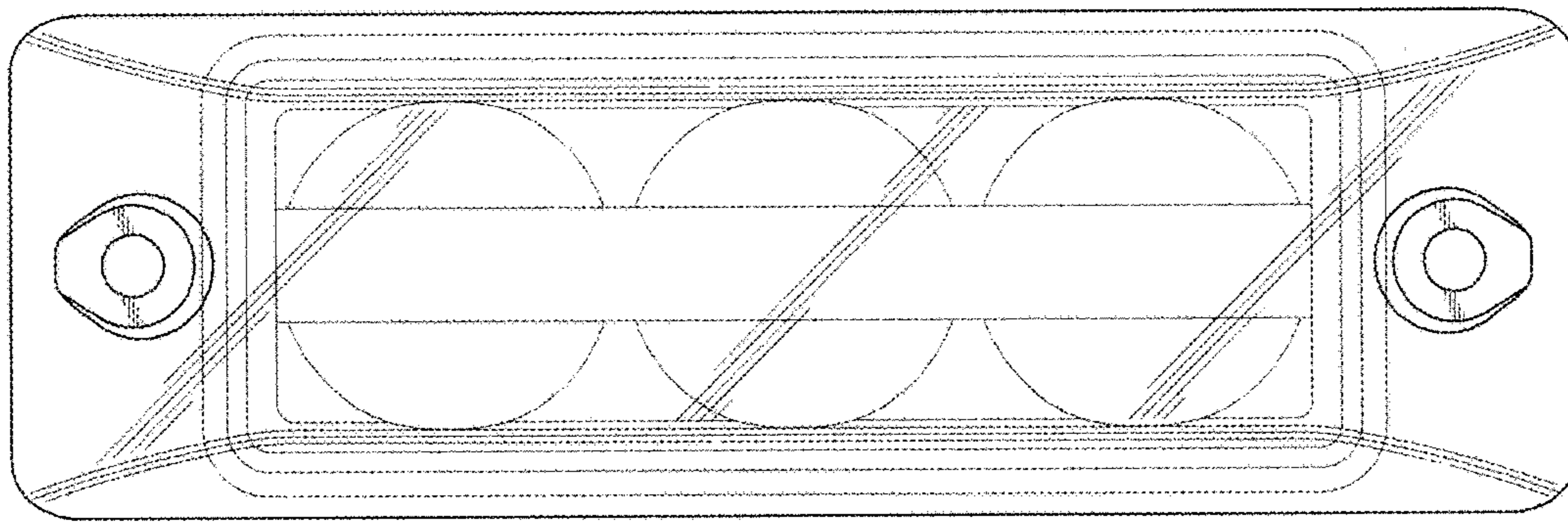


FIG. 3

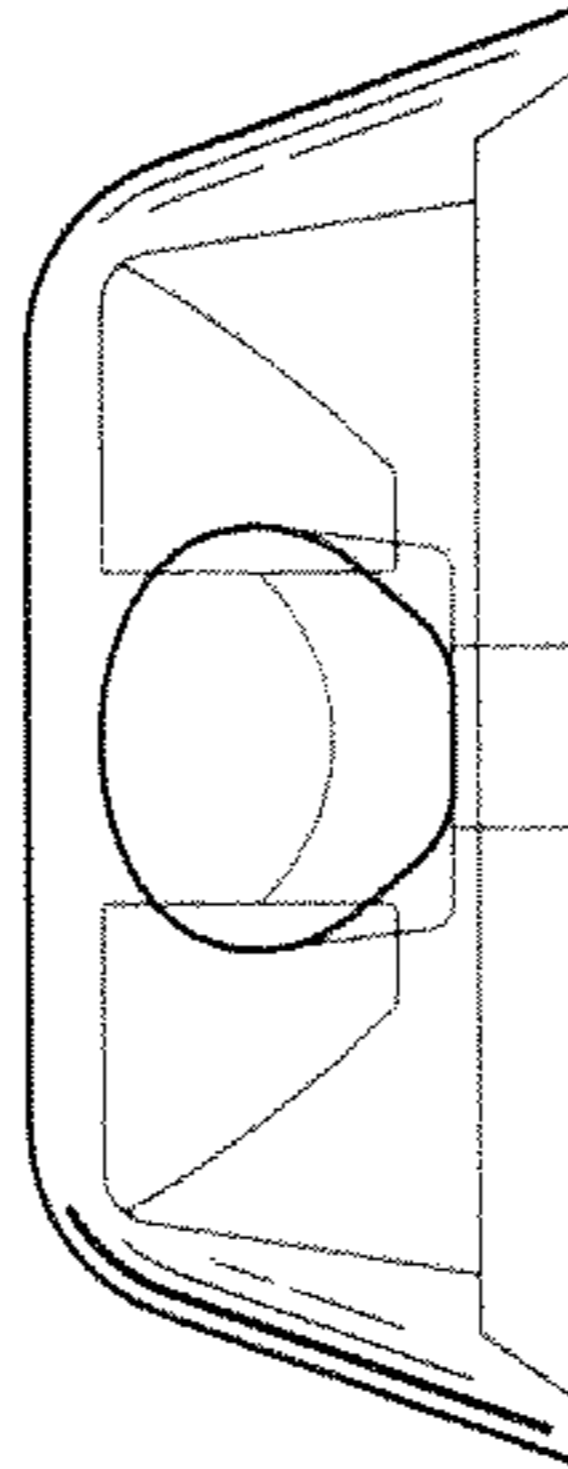


FIG. 4

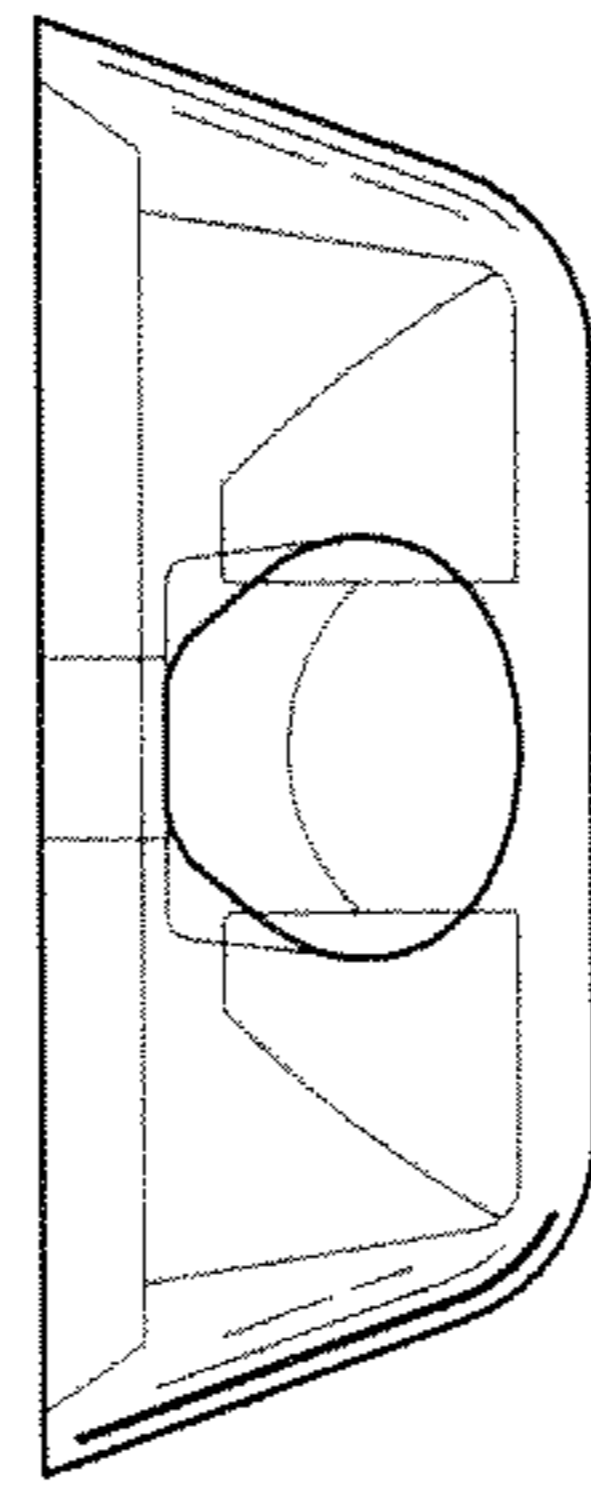


FIG. 5

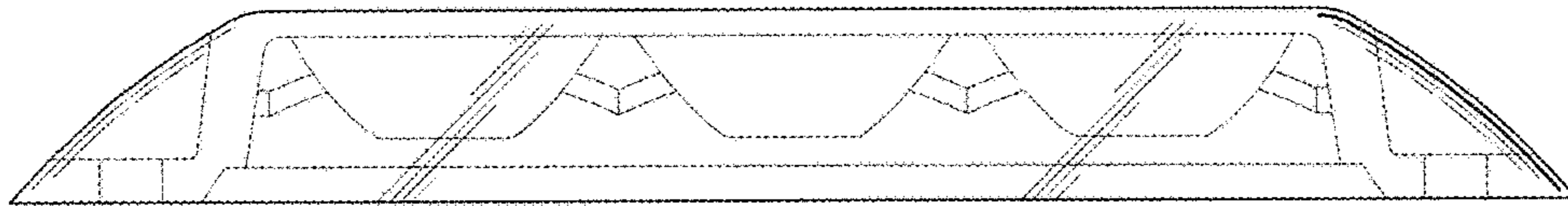


FIG. 6

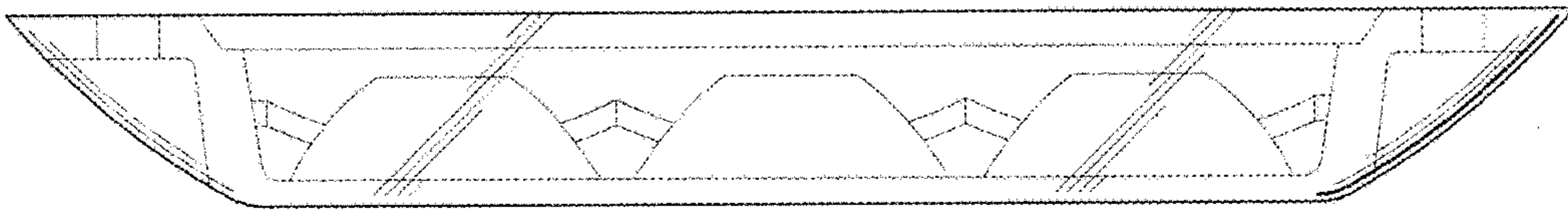


FIG. 7