



US00D825366S

(12) **United States Design Patent**
Chung

(10) **Patent No.:** **US D825,366 S**

(45) **Date of Patent:** **** Aug. 14, 2018**

(54) **LIGHTNING CONDUCTOR**

(71) Applicant: **OMNI LPS. CO., LTD.**, Seoul (KR)

(72) Inventor: **Young-ki Chung**, Seoul (KR)

(73) Assignee: **Omni LPS. Co., Ltd.** (KR)

(**) Term: **15 Years**

(21) Appl. No.: **29/572,730**

(22) Filed: **Jul. 29, 2016**

(30) **Foreign Application Priority Data**

Jun. 10, 2016 (KR) 30-2016-0028057

(51) **LOC (11) Cl.** **10-05**

(52) **U.S. Cl.**
USPC **D10/105**

(58) **Field of Classification Search**
USPC D10/105
CPC H01R 3/00
See application file for complete search history.

(56) **References Cited**

U.S. PATENT DOCUMENTS

D558,625 S * 1/2008 Chung D10/105
D567,689 S * 4/2008 Chung D10/105

D642,948 S * 8/2011 Chung D10/105
D642,949 S * 8/2011 Chung D10/105
D756,827 S * 5/2016 Chung D10/105
D804,344 S * 12/2017 Chung D10/105

* cited by examiner

Primary Examiner — George D. Kirschbaum

(74) *Attorney, Agent, or Firm* — Blank Rome LLP

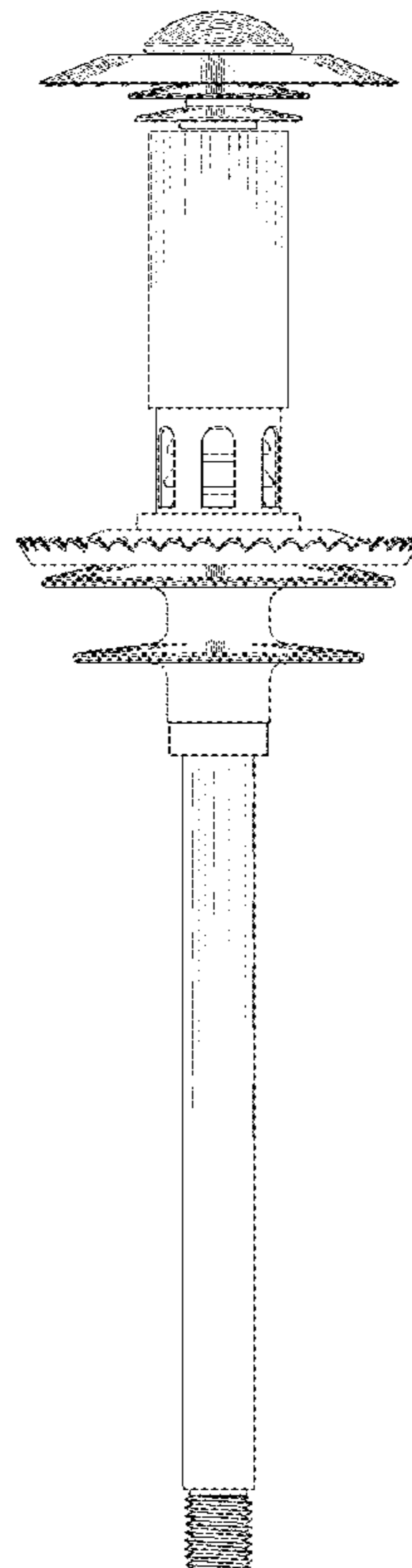
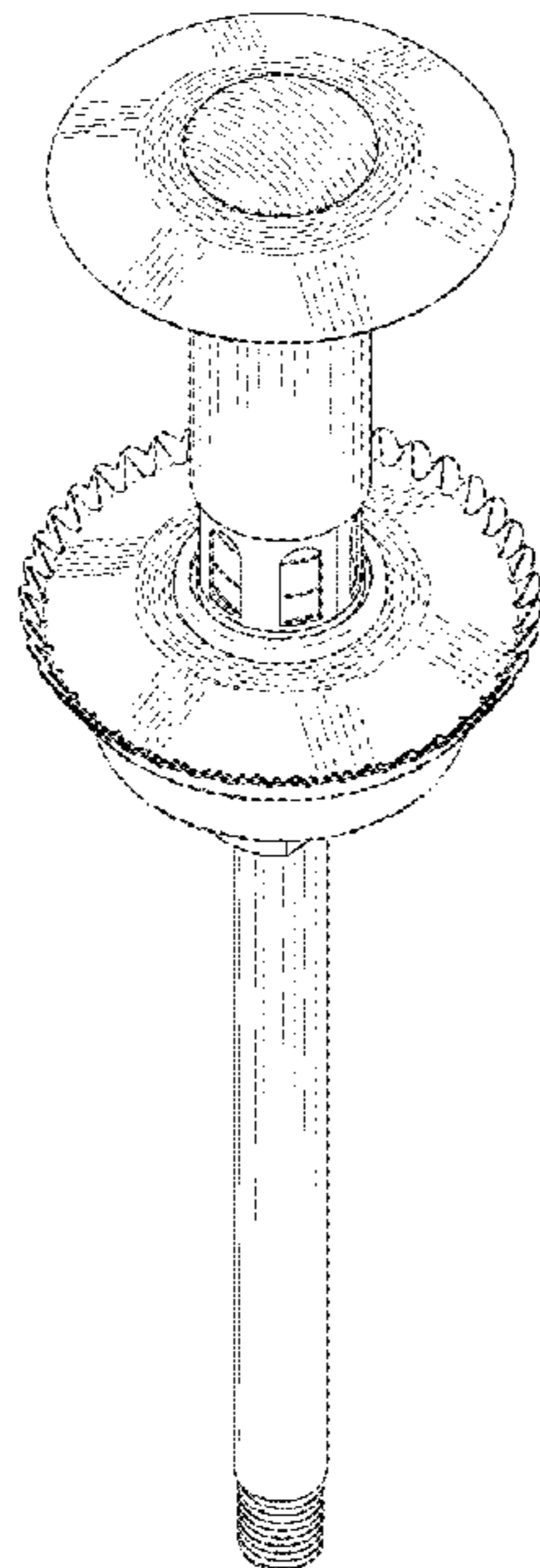
(57) **CLAIM**

The ornamental design for a lightning conductor, as shown and described.

DESCRIPTION

FIG. 1 is a perspective view of a lightning conductor of my design;
FIG. 2 is a front view thereof;
FIG. 3 is a left-side view thereof;
FIG. 4 is a right-side view thereof;
FIG. 5 is a rear view thereof;
FIG. 6 is a top view thereof;
FIG. 7 is a bottom view thereof; and,
FIG. 8 is a bottom perspective view thereof.

1 Claim, 8 Drawing Sheets



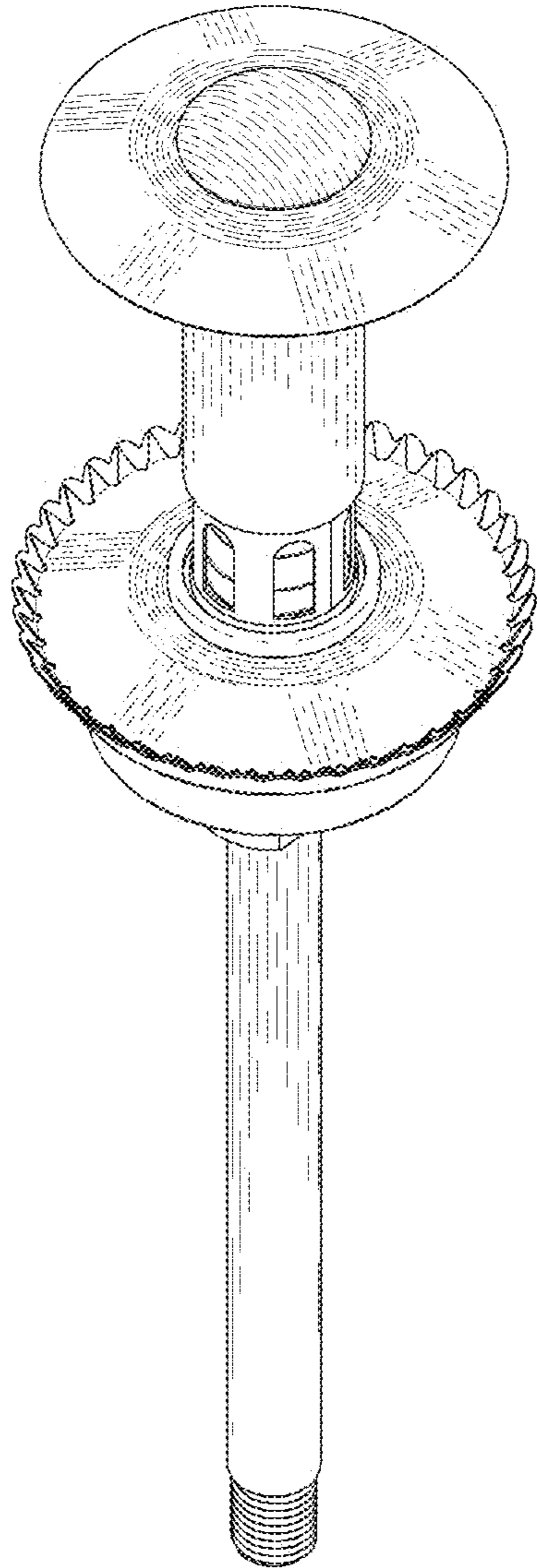


FIG.1

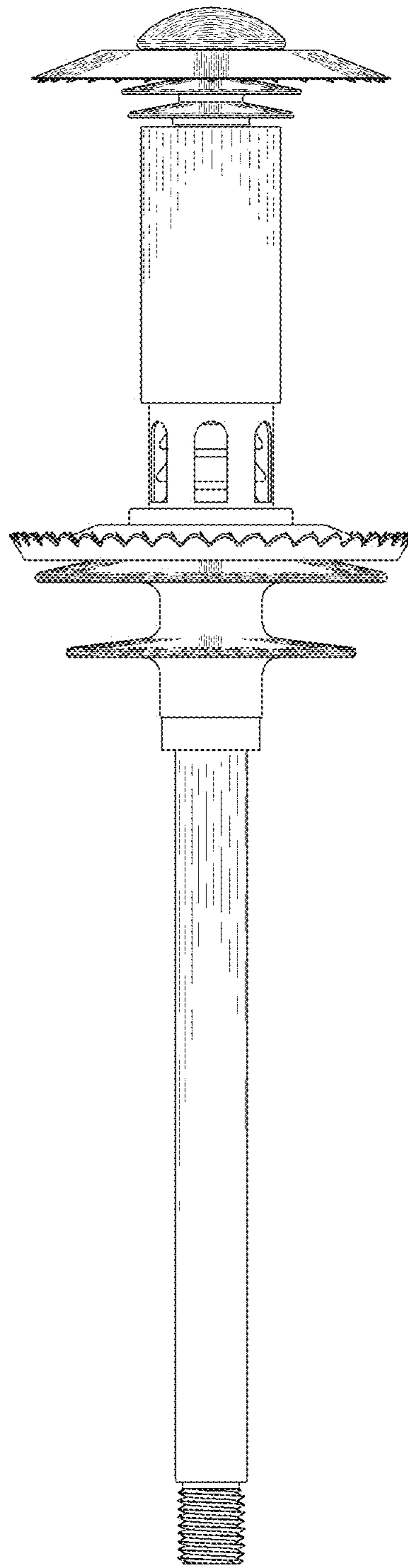


FIG.2

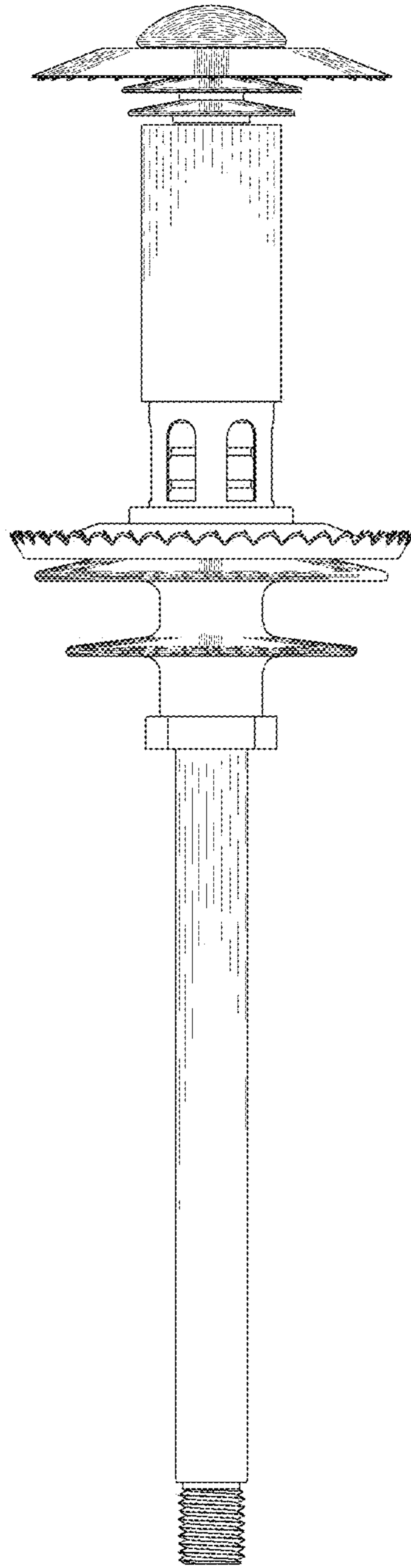


FIG.3

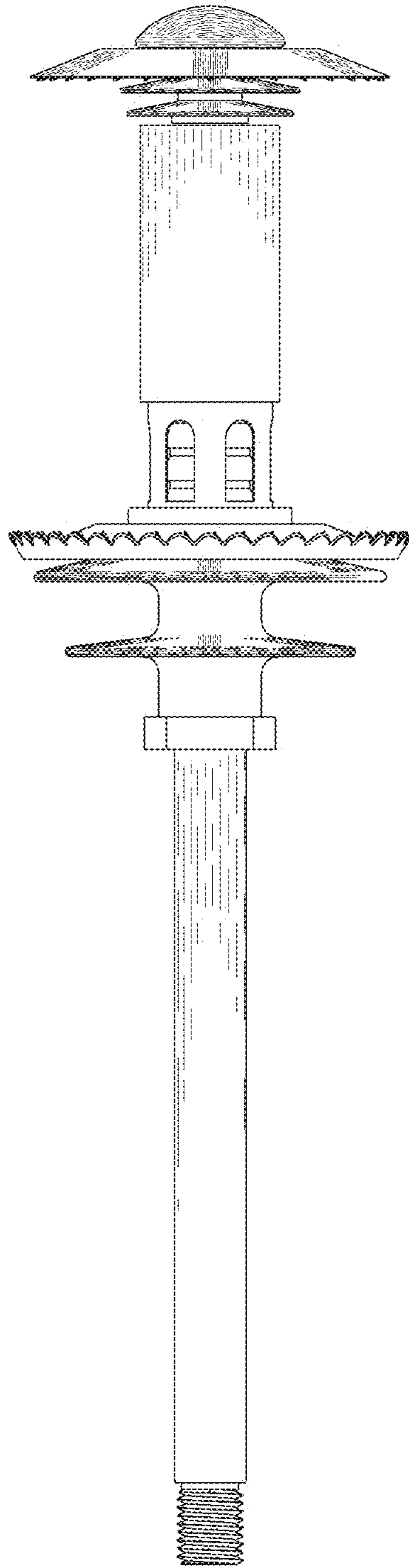


FIG. 4

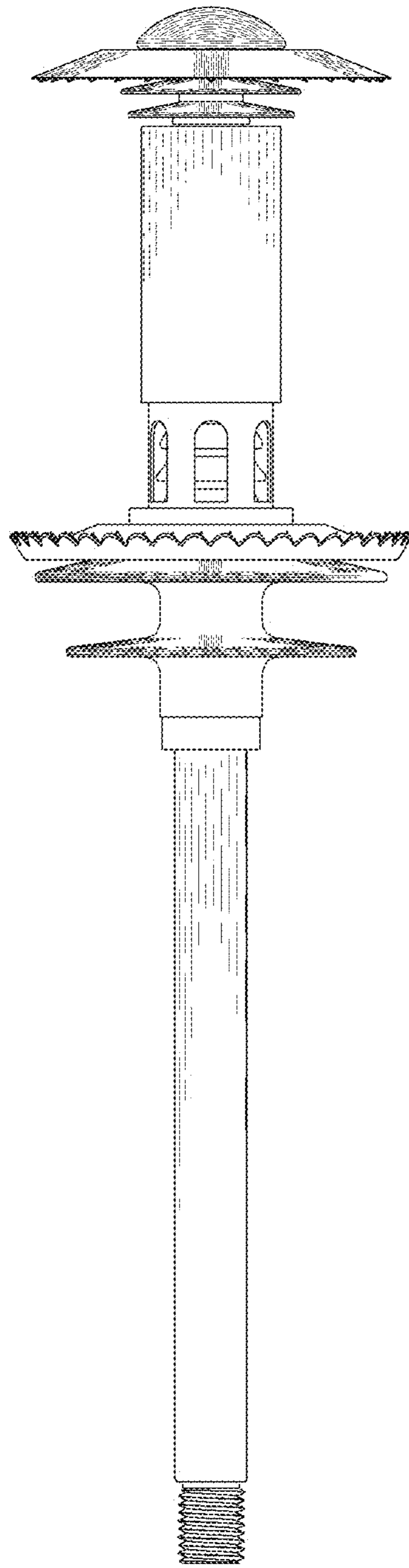


FIG. 5

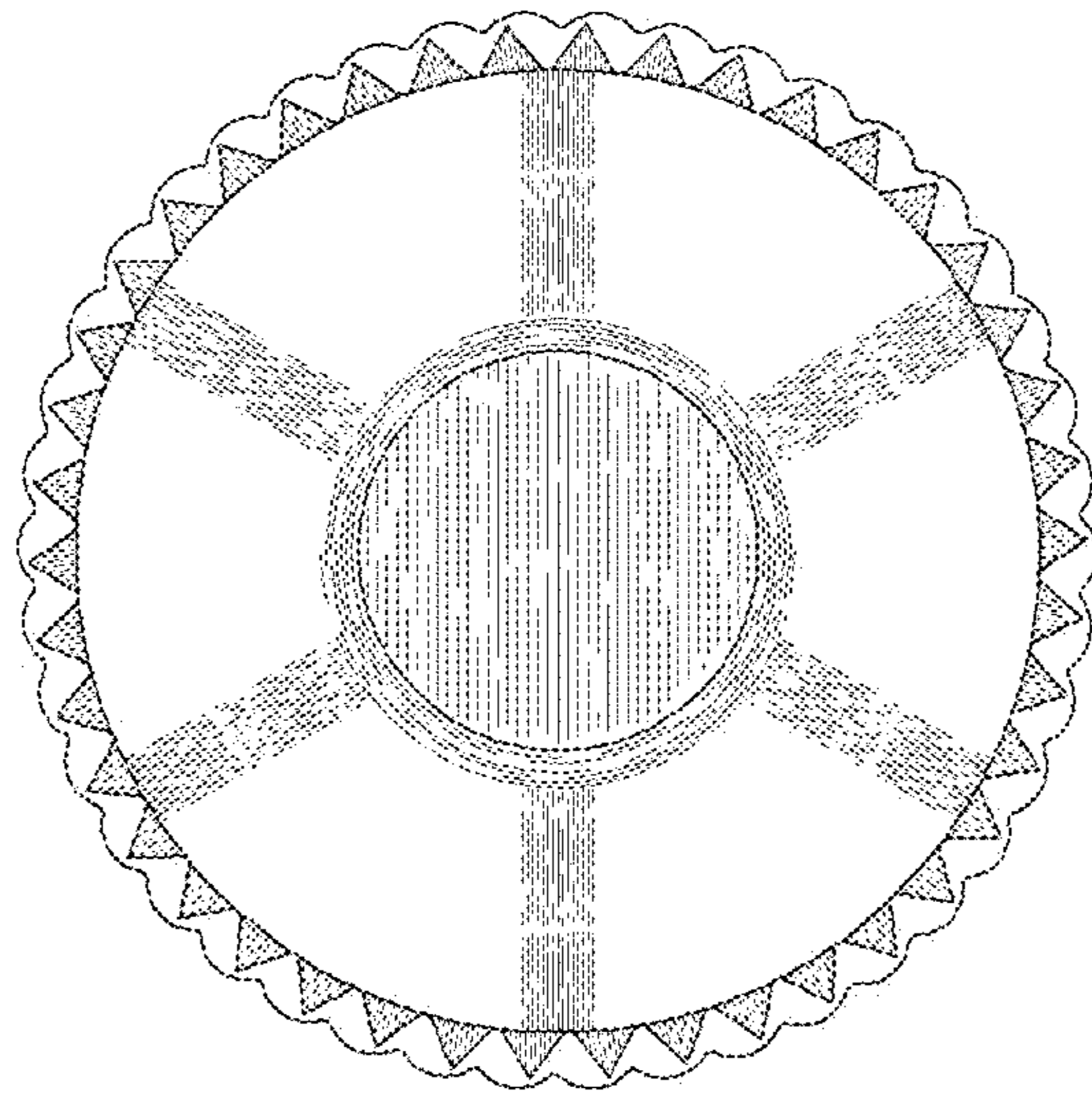


FIG.6

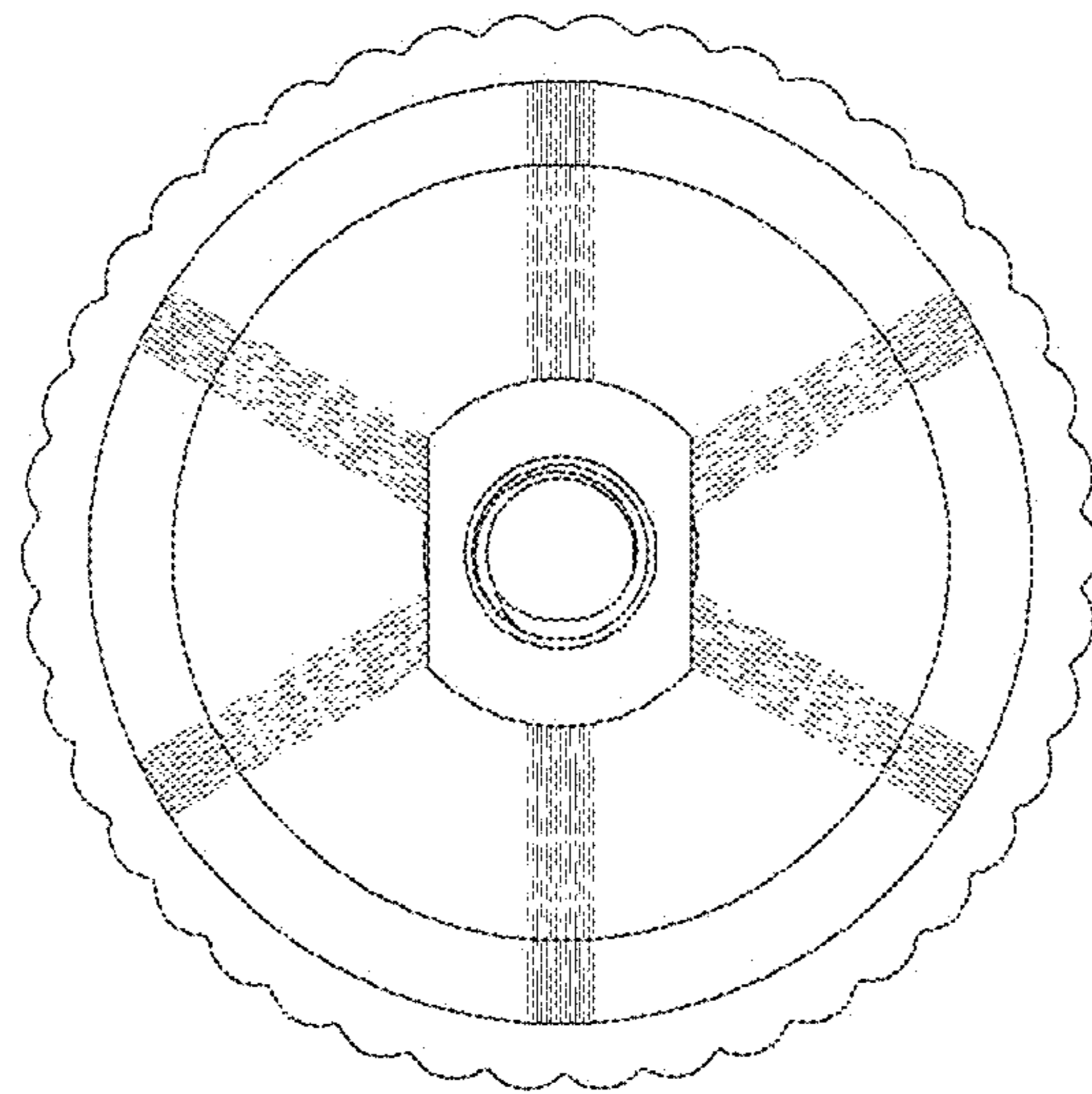


FIG. 7

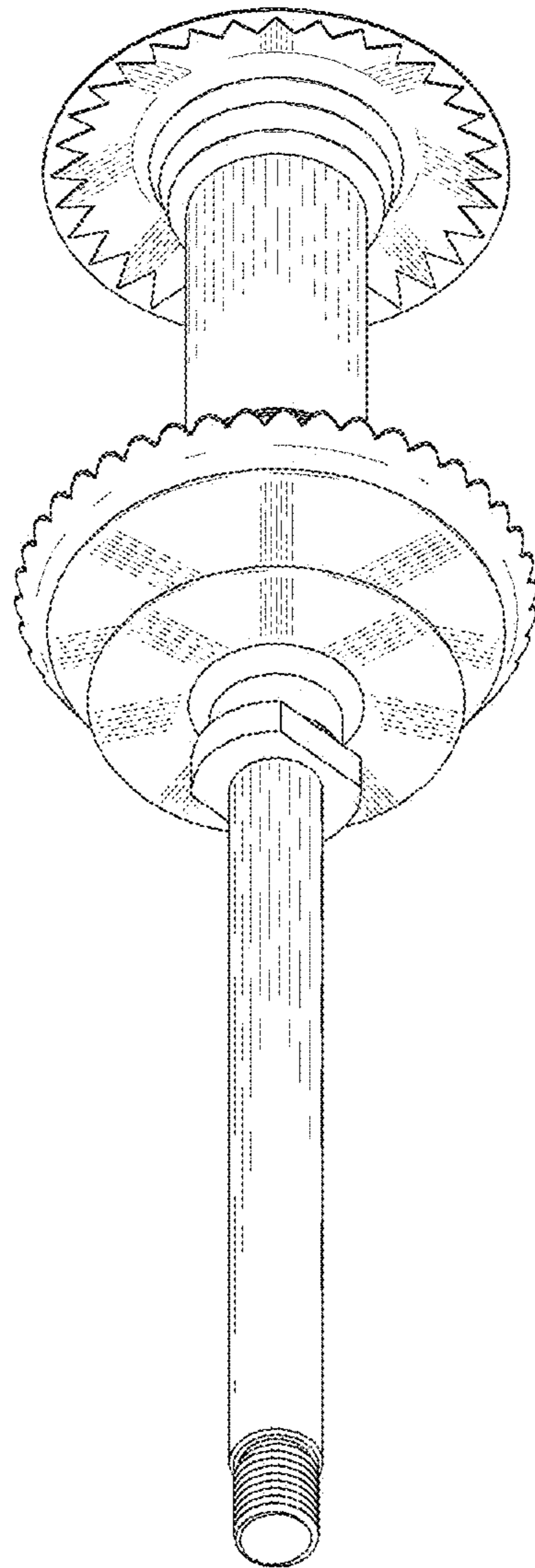


FIG.8