



US00D825364S

(12) **United States Design Patent**
Thurlow

(10) **Patent No.:** **US D825,364 S**

(45) **Date of Patent:** **** Aug. 14, 2018**

(54) **LEVEL GAUGE FOR CONTAINER**

9,903,747 B2 * 2/2018 Rizun A23L 5/20

* cited by examiner

(71) Applicant: **Lentrade, Inc.**, Houston, TX (US)

Primary Examiner — Antoine D Davis

(72) Inventor: **Heida L. Thurlow**, Houston, TX (US)

(74) *Attorney, Agent, or Firm* — Patrick K. Steele

(73) Assignee: **Lentrade, Inc.**, Houston, TX (US)

(57) **CLAIM**

(**) Term: **15 Years**

The ornamental design for a level gauge for container, as shown and described in the drawings appended hereto.

(21) Appl. No.: **29/585,325**

DESCRIPTION

(22) Filed: **Nov. 22, 2016**

(51) **LOC (11) Cl.** **10-04**

(52) **U.S. Cl.**
USPC **D10/101**

(58) **Field of Classification Search**
USPC D10/101
CPC G01F 23/04
See application file for complete search history.

FIG. 1 is superior perspective view of the level gauge for container;
FIG. 2 is a frontal elevation view of the level gauge for container;
FIG. 3 is a side elevation view showing the profile of the level gauge for container;
FIG. 4 is a rear elevation view of the level gauge for container;
FIG. 5 is a top view of the level gauge for container;
FIG. 6 is a bottom view of the level gauge for container;
FIG. 7 is a superior perspective view of the level gauge for container disposed within a container; and,
FIG. 8 is a side elevation view of the level gauge for container in the container of FIG. 7.

The portions shown in dotted lines in FIGS. 1, 2, 4, 5, 6, 7 and 8 are environmental only and form no part of the claimed design.

(56) **References Cited**

U.S. PATENT DOCUMENTS

D136,046 S *	7/1943	Downer	30/115
D140,049 S *	1/1945	Davis	30/115
2,832,145 A *	4/1958	Kious	G01F 23/04
				33/717
3,006,314 A *	10/1961	Malec	G01F 23/04
				116/227

1 Claim, 4 Drawing Sheets

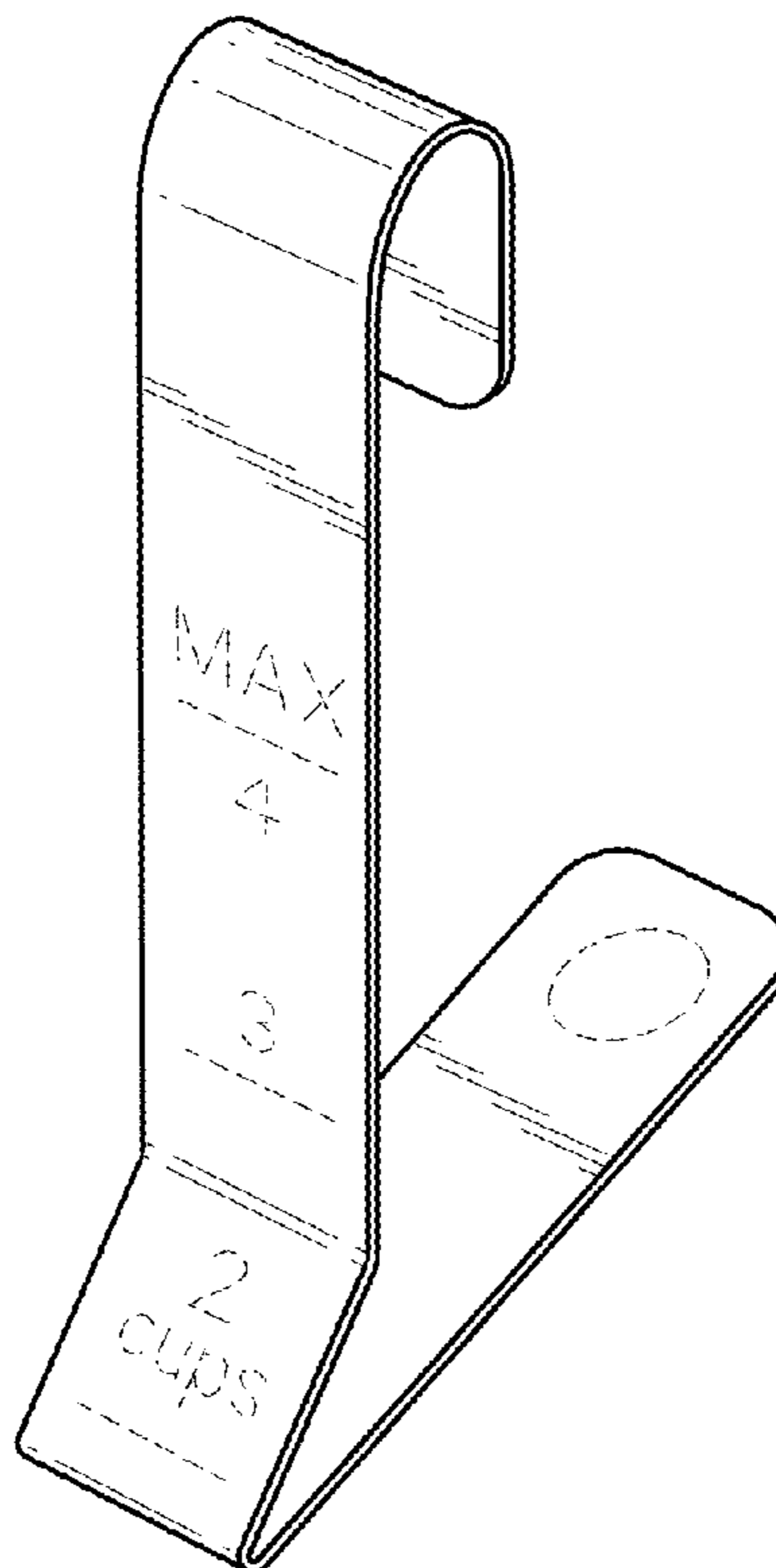


FIG. 1

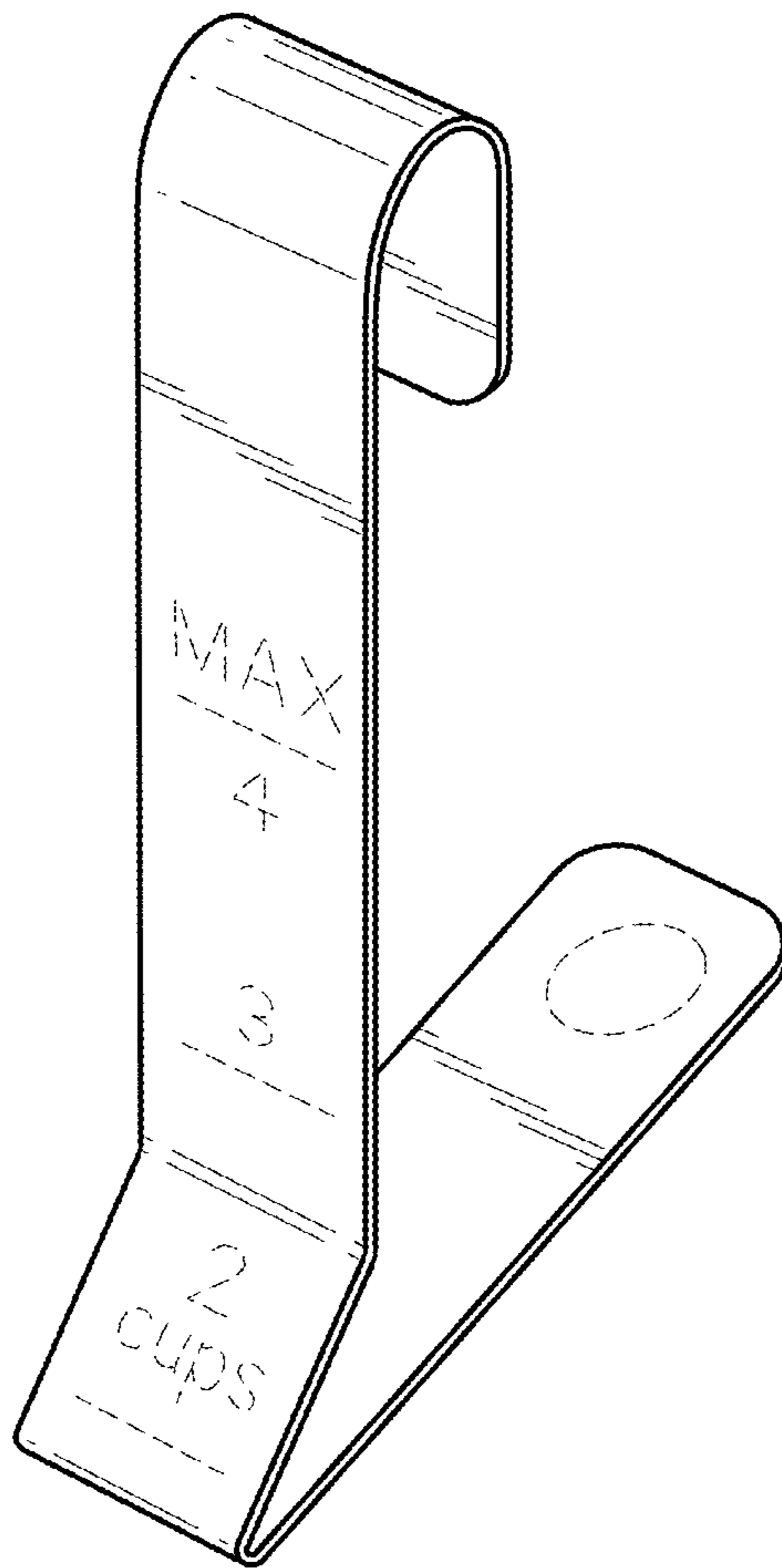


FIG. 2

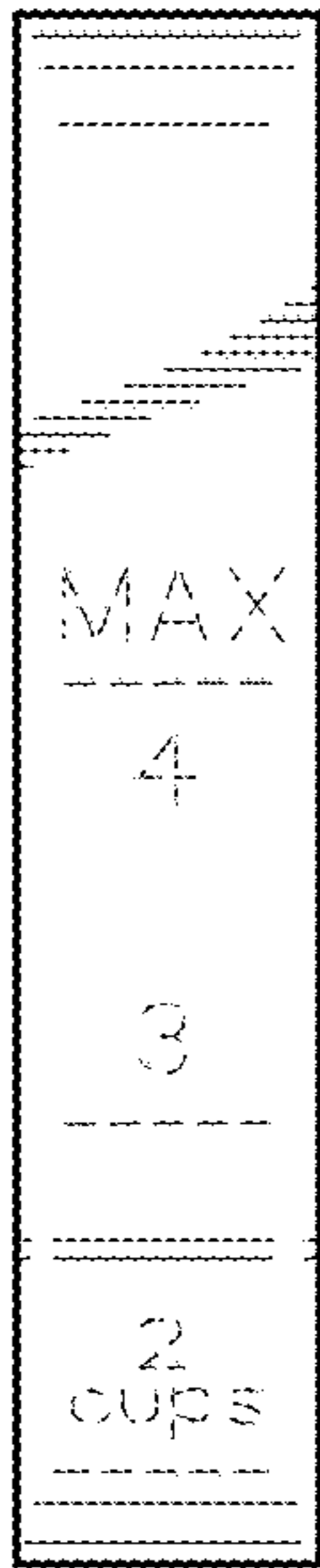


FIG. 3

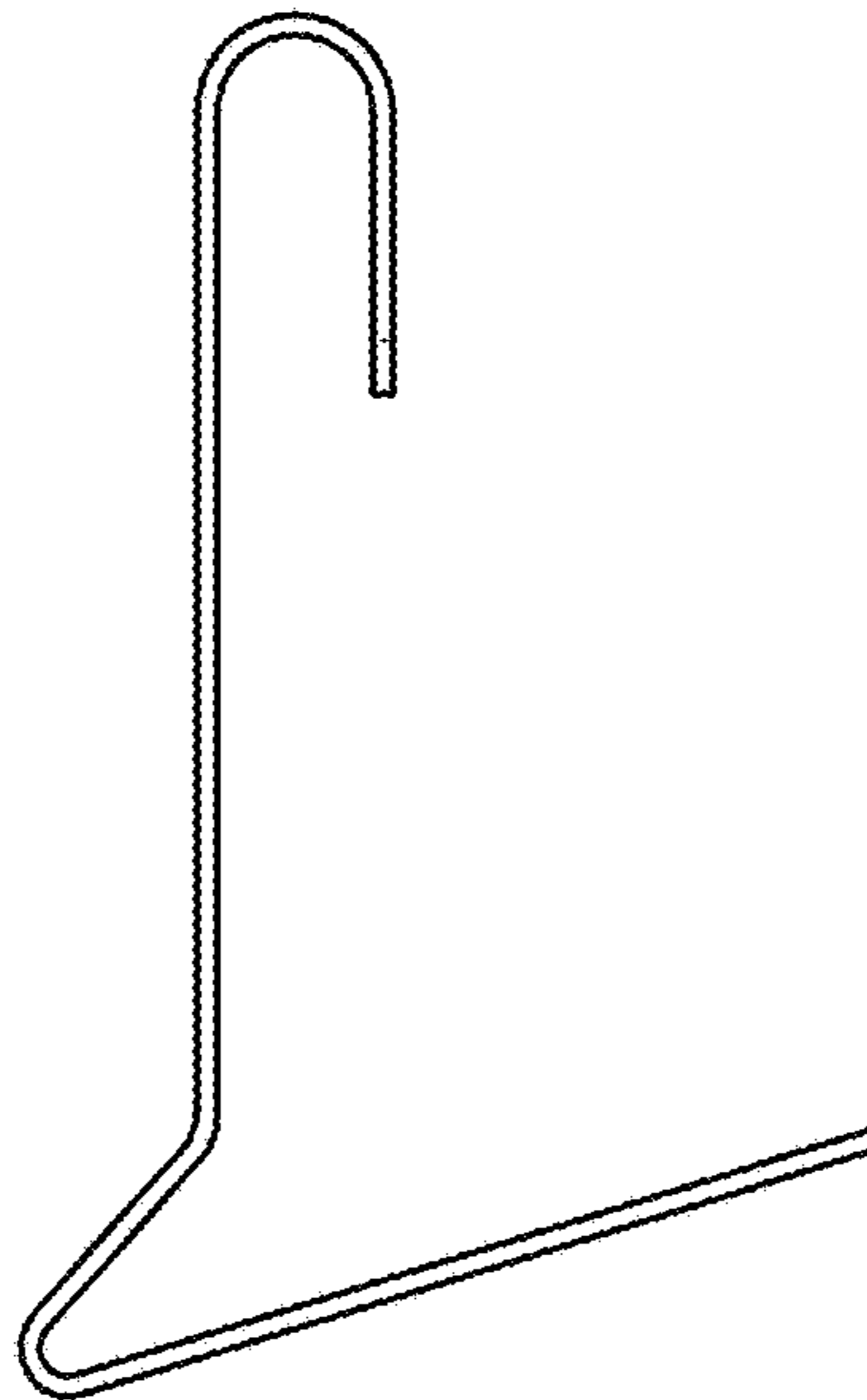


FIG. 4

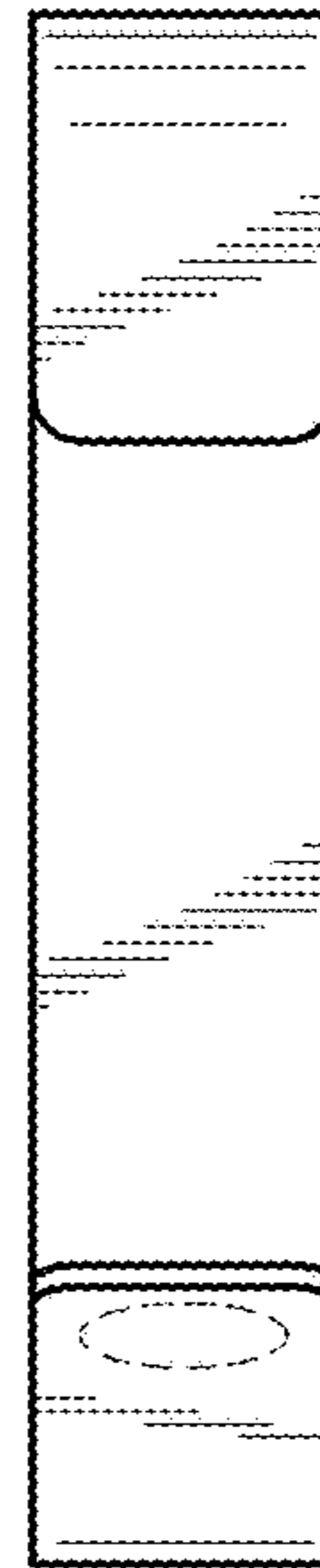


FIG. 5

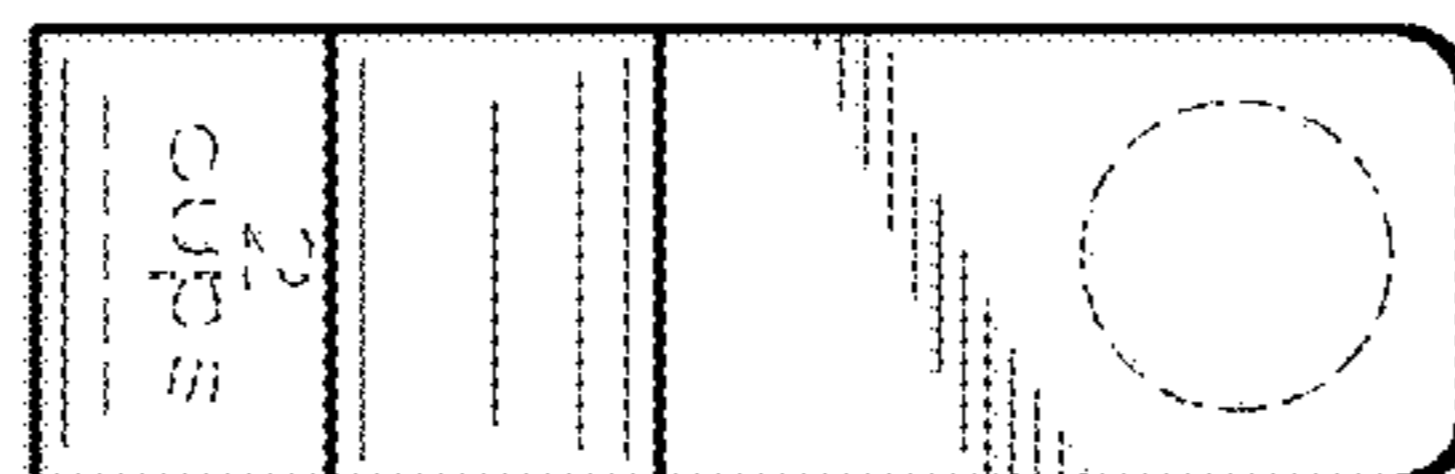


FIG. 6

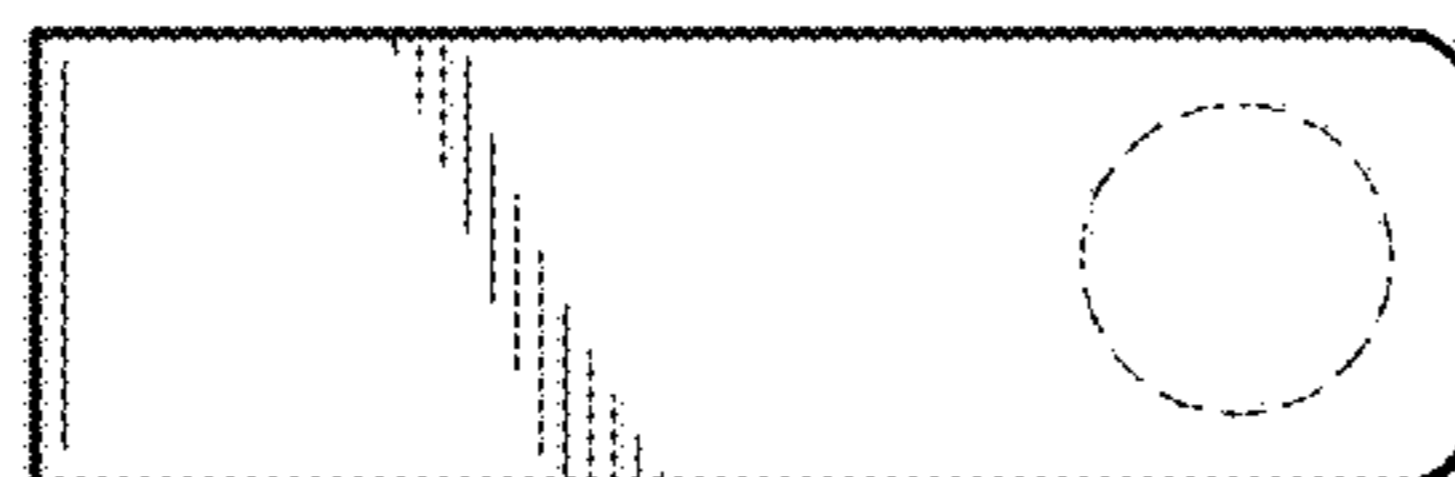


FIG. 7

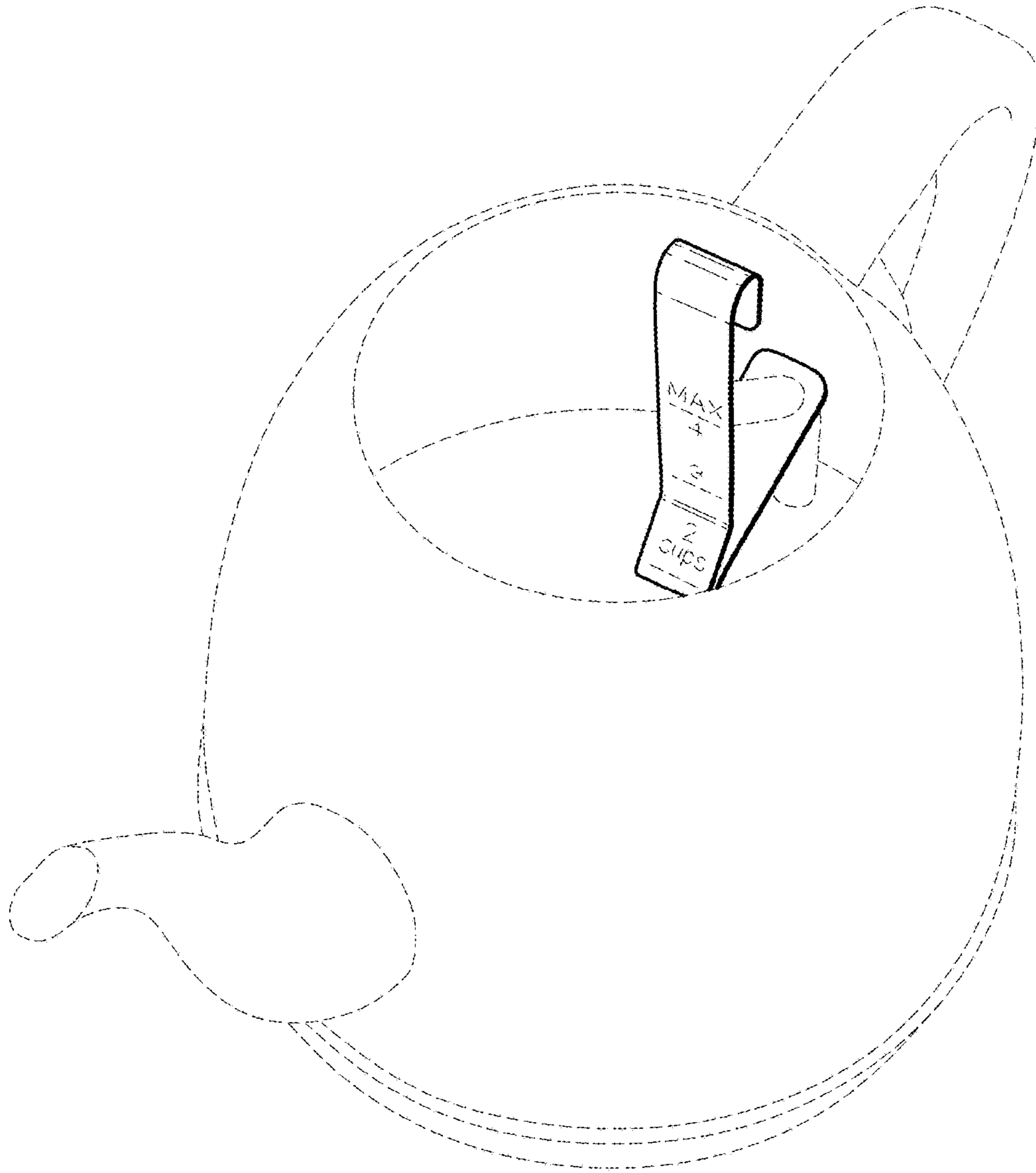


FIG. 8

